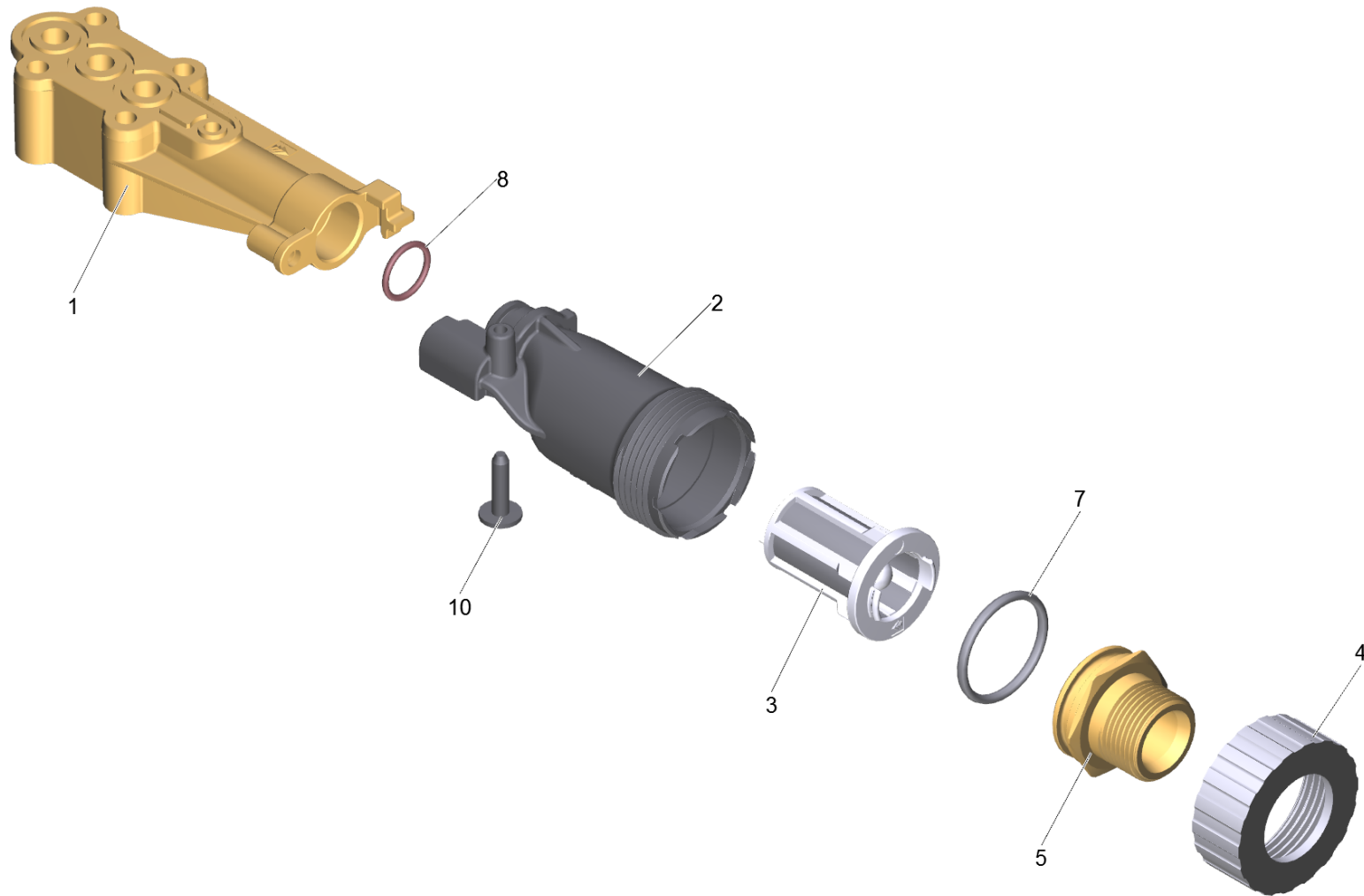


3 Water intake complete

Professional \ High pressure cleaner cold water \ Electric motor \ HD 6/15 MX Plus *EU \ Spare parts list HD 6/15 MX \ Unit HD 6/15 MX \ Pump set HD 6/15 M *EU (D128) \ Cylinder head complete HD-M TK45 D12 \ Water intake c



3 Water intake complete

Professional \ High pressure cleaner cold water \ Electric motor \ HD 6/15 MX Plus *EU \ Spare parts list HD 6/15 MX \ Unit HD 6/15 MX \ Pump set HD 6/15 M *EU (D128) \ Cylinder head complete HD-M TK45 D12 \ Water intake c

POS	Article no.	Description	Quantity	Unit
1	5.064-230.0	Suction cover	1	PC
2	5.045-246.0	Water intake cranked	1	PC
3	5.731-059.0	Filter cartridge with cone (mesh 100)	1	PC
4	5.064-465.0	Nut water intake	1	PC
5	5.064-517.0	Connection piece water intake G 3/4 A	1	PC
7	6.363-437.0	O-Ring seal 30x3	1	PC
8	6.362-481.0	O-Ring seal 14,0 x 2,0 NBR 80	1	PC
10	6.303-125.0	Screw 5x20-Sonder In6Rd+Spitze	1	PC