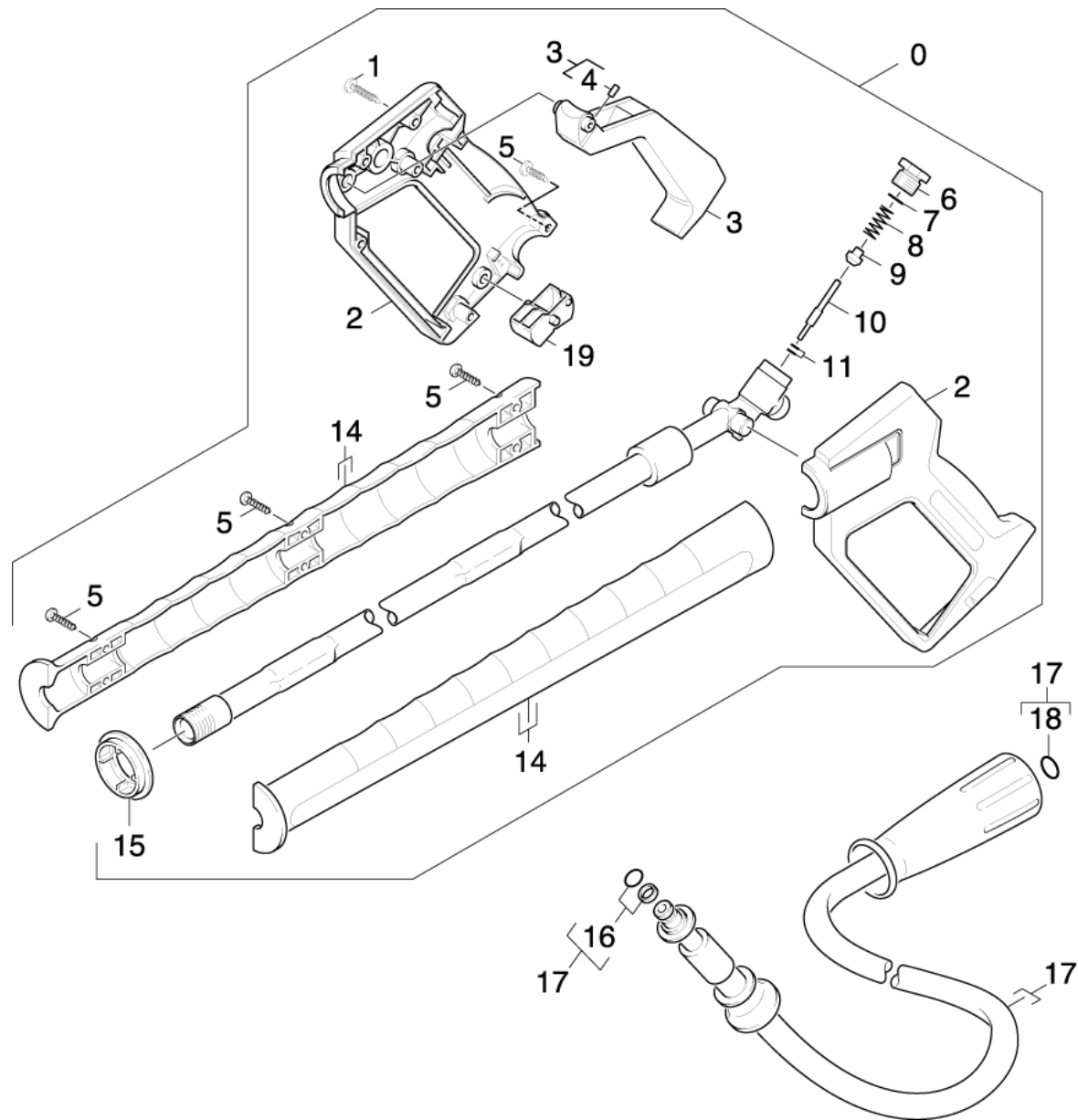


43 Hand trigger gun

Overview technical documents/Professional/High pressure cleaner cold water/Electric motor/HD 605 PLUS *EU (1.118-842.0)/Spare parts list HD 605/40 Accessories/43 Hand trigger gun



43 Hand trigger gun

Overview technical documents/Professional/High pressure cleaner cold water/Electric motor/HD 605 PLUS *EU (1.118-842.0)/Spare parts list HD 605/40 Accessories/43 Hand trigger gun

Rez.daļas/nodil.pakļ.daļas	Poz.	Materiāla Nr.	Nosaukums	Daudzums	Pārdoš. vienība	no sēr. Nr.	līdz sēr. Nr.	Daž. informācija
	0	4.775-492.0	Hand trigger gun	1.000	ST			VERSION 1
Pozīcijas teksts: 1.118-850.0 /-851.0 /-852.0 /-853.0 /-854.0 /-855.0 /								
	1	7.303-096.0	Skrūve 4x22 -ST-10.9-R2R (IN6RD)	6.000	ST	0000000000	0000000000	
	2	5.321-206.0	Tureklis	1.000	ST	0000000000	0000000000	
	3	4.481-050.0	Lever	1.000	ST	0000000000	0000000000	
	4	7.307-417.0	Tapa ar vītņi M8x16 -45H-A2E ISO 4026	1.000	ST	0000000000	0000000000	
	5	7.303-129.0	Skrūve 4x16 -10.9-R2R (K-In6Rd)	7.000	ST	0000000000	0000000000	
	6	5.411-067.0	Screw plug	1.000	ST	0000000000	0000000000	
	7	6.362-584.0	Gredzenblīve 12,42X 1,78	1.000	ST	0000000000	0000000000	
	8	5.332-157.0	Spirālveida atspere	1.000	ST	0000000000	0000000000	
	9	5.582-058.0	Vārstu plate	1.000	ST	0000000000	0000000000	
	10	5.107-259.0	Stienis	1.000	ST	0000000000	0000000000	
	11	6.362-571.0	Gredzenblīve, pilns komplekts 1ST.-R.	1.000	ST	0000000000	0000000000	
	14	5.322-083.0	Handhold few extended Low End	1.000	ST	0000000000	0000000000	
	15	5.031-259.0	Moulded part	1.000	ST	0000000000	0000000000	
	16	6.363-115.0	Gredzenblīve, pilns komplekts 1ST.-R.	1.000	ST	0000000000	0000000000	
X-X	17	6.391-238.0	Standarta šļūtene DN6 25 MPa 10 m	1.000	ST	0000000000	0000000000	
	18	2.880-990.0	spare part set o ring from 2.880-296.0	1.000	ST	0000000000	0000000000	
	19	5.481-052.0	Lever	1.000	ST	0000000000	0000000000	