

Spare parts list

(1.810-991.0) HD 1040 B -CAGE* GB

Table of contents

HD 1040 B -CAGE* GB (1.810-991.0)	4
Spare parts list HD 1040 B *GB (5.958-481.0)	5
10 Individual parts HD 1040 CAGE	6
11 Individual parts	7
12 Base frame	9
20 Pump set	11
21 Cylinder head	12
11 Valve (3 Stueck) (2.884-512.0)	15
28 Valve complete (4.580-323.0)	17
22 Cylinder head	19
2 Screw connector part (4.401-079.0)	21
1 Spindle complete (4.291-014.0)	23
18 Spindle complete (4.291-014.0)	25
23 Piston	27
30 Motor	29
31 Motor	30
32 Motor	32
Gasoline engine 11PS (6.491-002.0)	34
33 Transmission	36
17 Wobble plate complete (4.120-198.0)	38
40 Accessories	40
41 Hand trigger gun	41
18 Hose assembly DN8 max.31,5MPa 15m (6.390-185.0)	43
100 Spare part set (2.883-903.0)	45
42 Hand trigger gun	46
1 HAND TRIGGER GUN EASY PRESS (4.775-463.0)	48
9002 Lever complete (4.481-209.0)	50
4 Lever complete (4.481-209.0)	52
10 Hose assembly DN8 max.31,5MPa 15m (6.390-185.0)	54
43 Jet pipe	56
Jet pipe packaged only for replacement (4.760-660.0)	58
44 Jet pipe	60
1 Jet pipe packaged only for replacement (4.760-660.0)	62
45 Nozzle	64
Triple jet nozzle with packing 05 (4.767-004.0)	66
2 Spare parts list triple jet nozzle (5.958-516.0)	67
10 Triple jet nozzle	68
17 Triple jet nozzle replacement 036 (4.767-148.0)	70

Table of contents

2 Spare parts list triple jet nozzle (5.970-837.0)	71
10 Triple jet nozzle plastics	72
20 Triple jet nozzle brass	74
17 Triple jet nozzle replacement 036 (4.767-148.0)	76
2 Spare parts list triple jet nozzle (5.970-837.0)	77
10 Triple jet nozzle plastics	78
20 Triple jet nozzle brass	80

HD 1040 B -CAGE* GB (1.810-991.0)

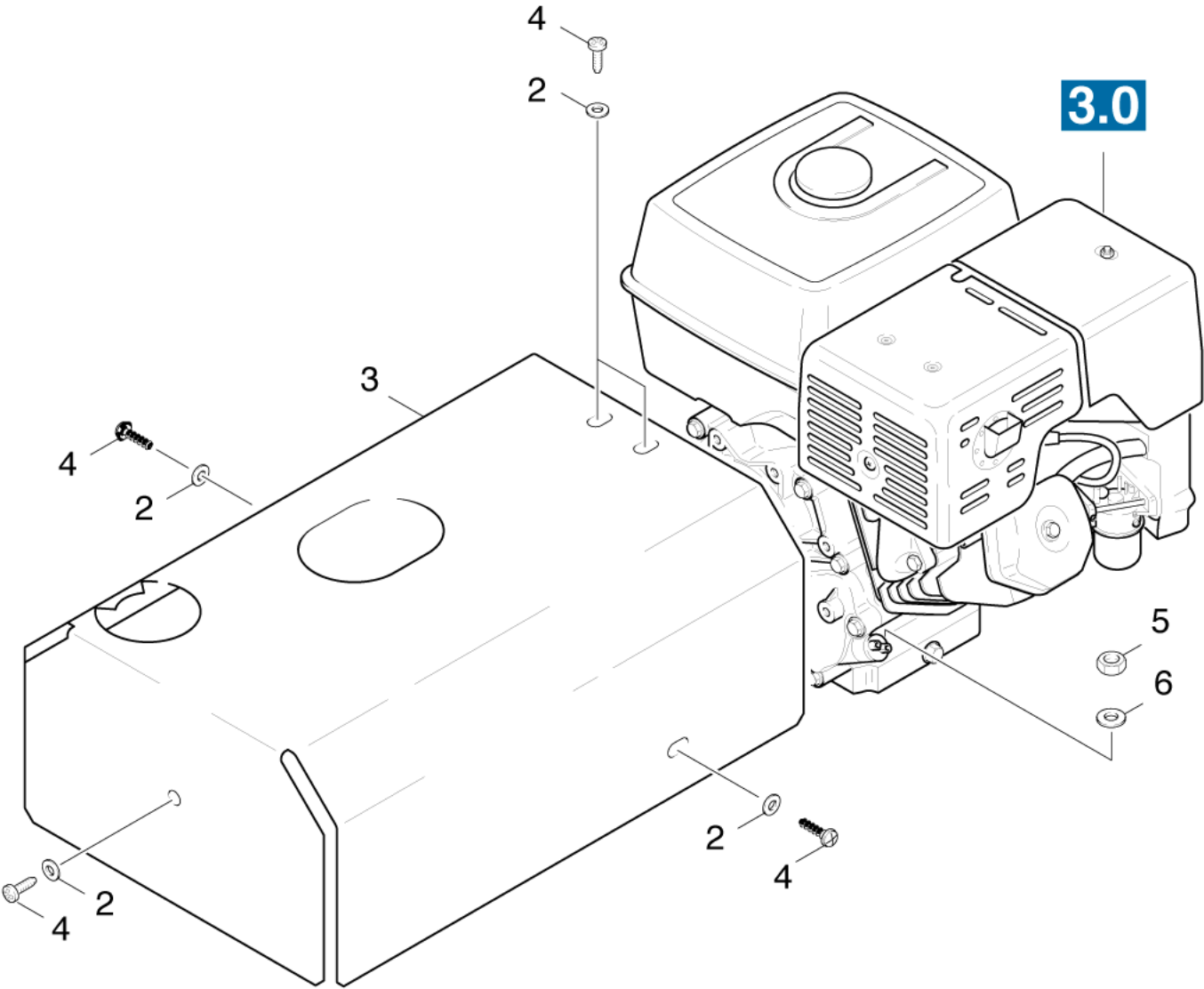
POS	Article no.	Description	Quantity	Unit
0	5.958-481.0	Spare parts list HD 1040 B *GB	1.000	ST
	Item text2: 18109910			

Spare parts list HD 1040 B *GB (5.958-481.0)

POS	Description	Quantity	Unit
10	Individual parts HD 1040 CAGE	1.000	ST
20	Pump set	1.000	ST
30	Motor	1.000	ST
40	Accessories	1.000	ST

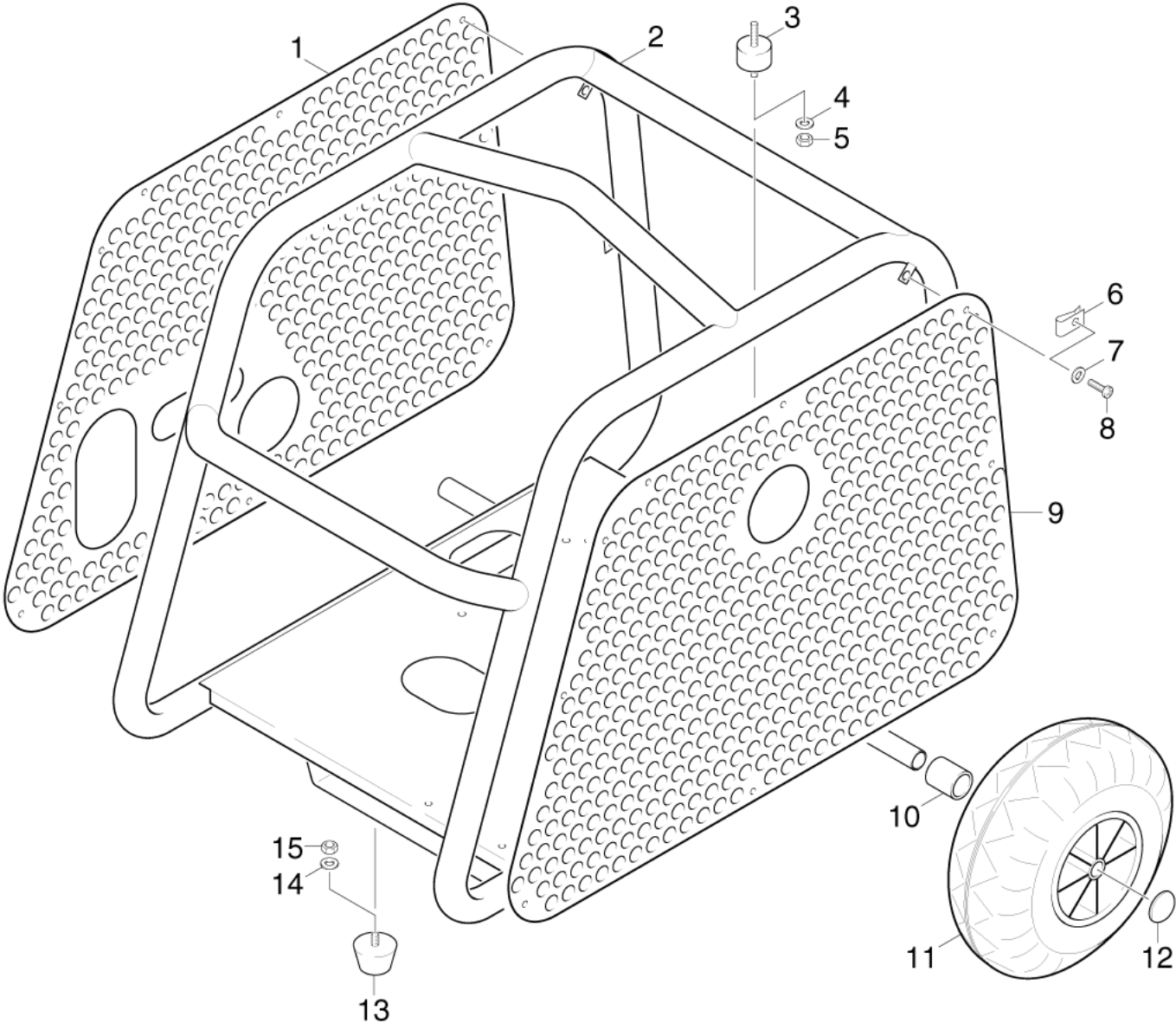
10 Individual parts HD 1040 CAGE

POS	Description	Quantity	Unit
11	Individual parts	1.000	ST
12	Base frame	1.000	ST



11 Individual parts

POS	Article no.	Description	Quantity	Unit
2	7.312-003.0	Washer 6 -200HV-A3E ISO 7090	5.000	ST
3	5.067-229.0	Cover HD 1040 B	1.000	ST
4	6.303-193.0	Cylinder head screw M 6X 12-8.8-R2R	5.000	ST
5	7.312-005.0	Washer 10-200HV-A3E ISO 7090	4.000	ST
6	7.311-423.0	Hexagon nut M10 -04-A2E ISO 10511	4.000	ST

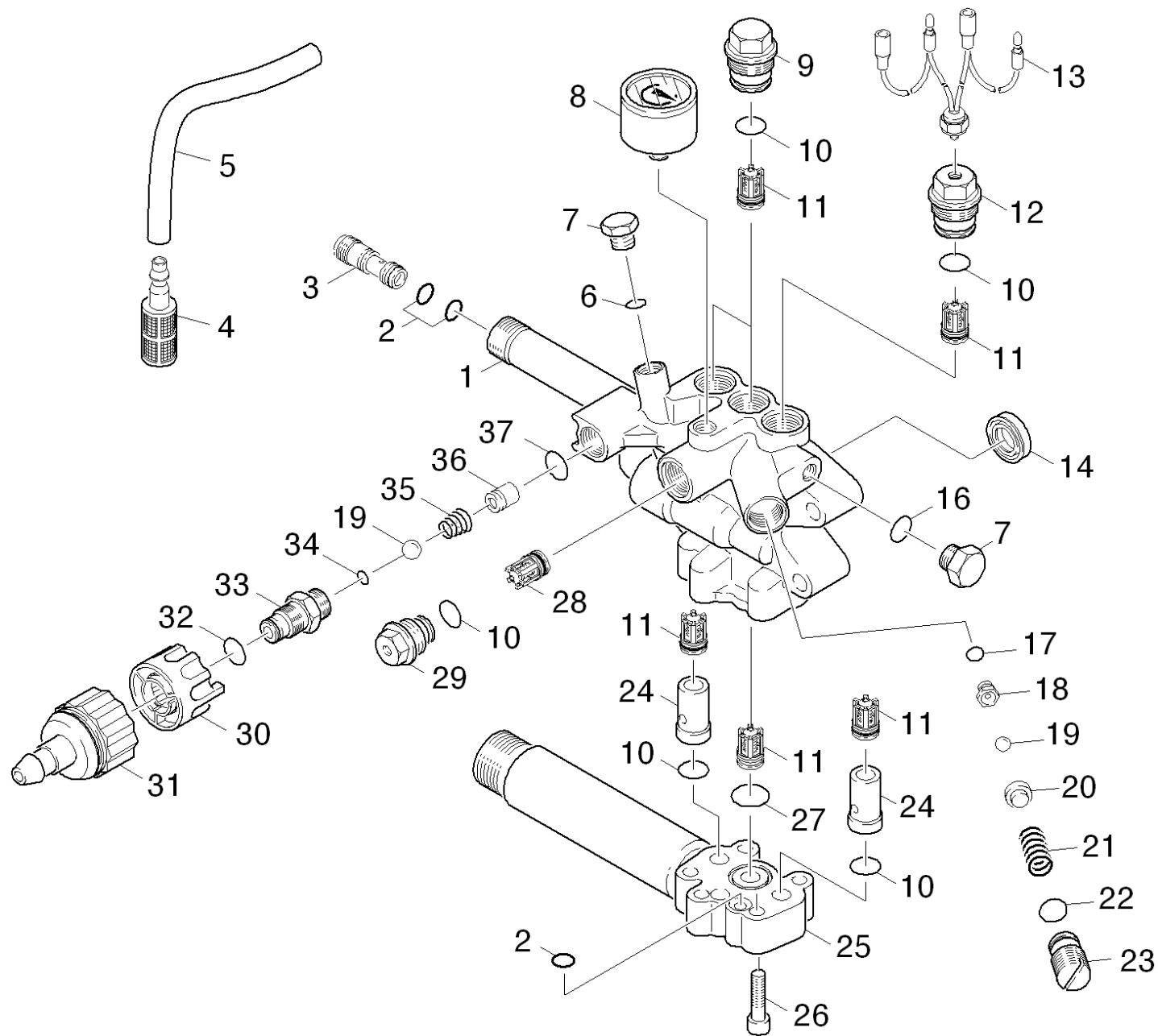


12 Base frame

POS	Article no.	Description	Quantity	Unit
1	6.397-553.0	Side plate left HD 1040/1050 B	1.000	ST
2	6.397-551.0	Frame	1.000	ST
3	6.339-075.0	Rubber buffer D50X30	4.000	ST
4	7.312-005.0	Washer 10-200HV-A3E ISO 7090	4.000	ST
5	7.311-423.0	Hexagon nut M10 -04-A2E ISO 10511	8.000	ST
6	6.310-082.0	Putting nut M6	18.000	ST
7	7.312-003.0	Washer 6 -200HV-A3E ISO 7090	18.000	ST
8	7.306-090.0	Screw M6x16 -8.8-R3R (In6Rd)	18.000	ST
9	6.397-554.0	Side plate right HD 1040/1050 B	1.000	ST
10	5.110-378.0	Sleeve	2.000	ST
11	6.435-008.0	Wheel	2.000	ST
12	6.343-137.0	Quick-fastener	2.000	ST
13	6.339-100.0	Rubber buffer	2.000	ST
14	7.312-004.0	Washer 8 -200HV-A3E ISO 7090	2.000	ST
15	7.311-427.0	Hexagon nut M8 -04-A2E ISO 10511	2.000	ST

20 Pump set

POS	Description	Quantity	Unit
21	Cylinder head	1.000	ST
22	Cylinder head	1.000	ST
23	Piston	1.000	ST

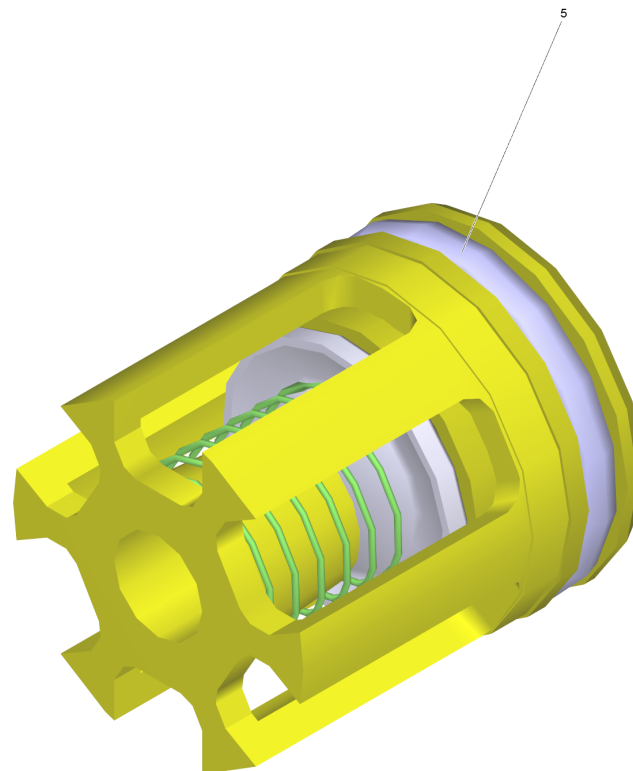


21 Cylinder head

POS	Article no.	Description	Quantity	Unit	Foot note text
1	5.550-273.0	Cylinder head	1.000	ST	
2	6.362-384.0	O-Ring seal 9x1,5 - NBR 70	3.000	ST	
3	5.769-141.0	Nozzle insert	1.000	ST	
4	5.731-652.0	Filter with weight	1.000	ST	
5	6.388-216.0	Hose DN 5	1.000	M	TO ORDER AS CUT GOODS
6	6.362-113.0	O-Ring seal 6,0 x 2,0 NBR 70	1.000	ST	
7	5.411-070.0	Screw plug	2.000	ST	
8	6.421-214.0	Pressure gauge 0-300 BAR	1.000	ST	
9	5.583-146.3	Valve screw	2.000	ST	
10	6.362-481.0	O-Ring seal 14,0 x 2,0 NBR 80	6.000	ST	
11	2.884-512.0	Valve (3 Stueck)	1.000	ST	
12	5.583-157.0	Valve screw	1.000	ST	
13	4.686-001.0	Temperature limiter complete	1.000	ST	
14	6.365-408.0	Grooved ring 16x24x5.3	3.000	ST	
16	6.362-101.0	O-Ring seal 8 X 2	1.000	ST	
17	6.362-703.0	O-Ring seal 6,0x1,5-NBR 70	1.000	ST	
18	5.581-218.0	Valve seat	1.000	ST	
19	7.401-908.0	Sphere 7 G300 -1.4301 DIN 5401	2.000	ST	
20	5.582-075.0	Valve disc	1.000	ST	
21	5.332-203.0	Helical spring	1.000	ST	
22	6.362-169.0	O-Ring seal 12,0 X 2,0	1.000	ST	
23	5.583-089.0	Valve screw	1.000	ST	
24	5.110-608.0	Sleeve	2.000	ST	
25	5.060-809.0	Valve housing	1.000	ST	
26	7.306-044.0	Cylinder head screw M8x35 -8.8-A2E ISO4	5.000	ST	
27	6.362-547.0	O-Ring seal 20,0x1,5-NBR 70	1.000	ST	
28	4.580-323.0	Valve complete	1.000	ST	
29	5.583-155.0	Valve screw	1.000	ST	
30	5.321-318.0	Handhold	1.000	ST	
31	5.443-281.0	Hose stem	1.000	ST	
32	6.362-151.0	O-Ring d. 10 x 2 NBR 70	1.000	ST	
33	5.402-523.0	Screw union	1.000	ST	
34	6.362-383.0	O-Ring seal 6,0 X 2,0	1.000	ST	

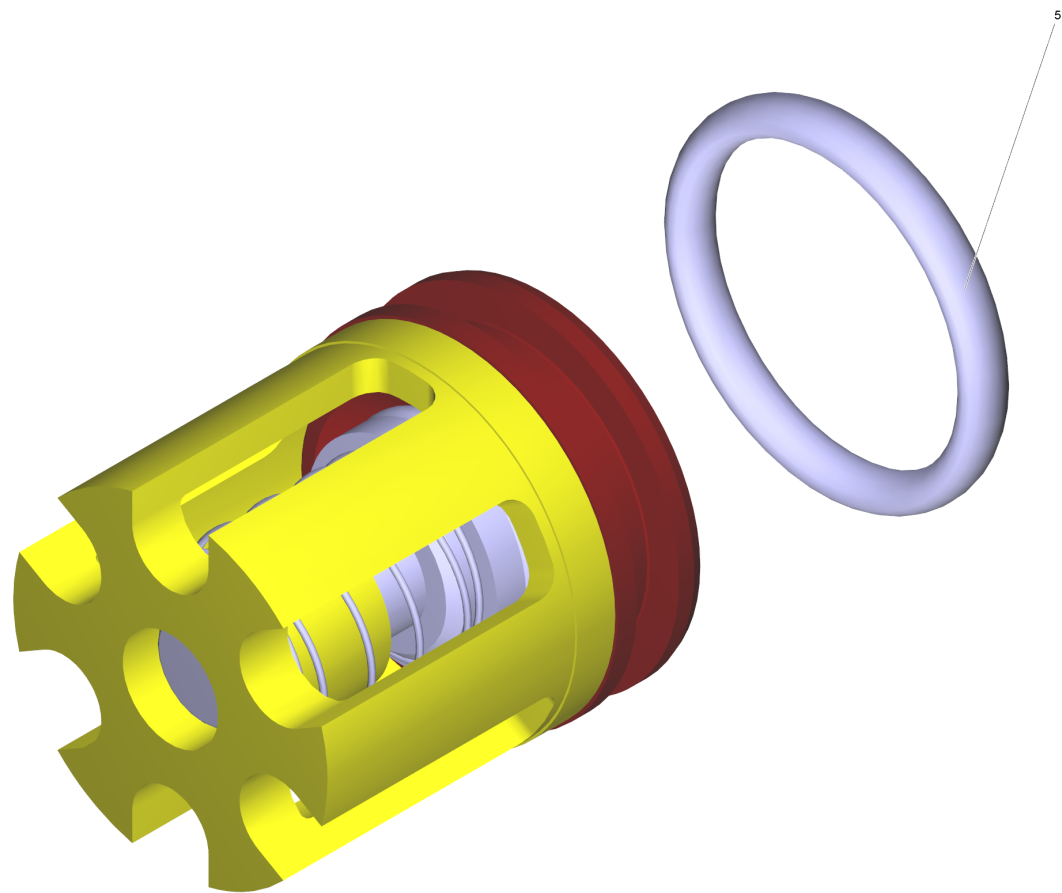
21 Cylinder head

POS	Article no.	Description	Quantity	Unit	Foot note text
35	5.332-124.0	Helical spring	1.000	ST	
36	5.028-692.0	Tube	1.000	ST	
37	6.362-533.0	O-Ring seal 14,0 X 1,5-NBR 70	1.000	ST	
100	2.884-084.0	Pump set high-pressure 1040 B; HD9/21G	1.000	ST	



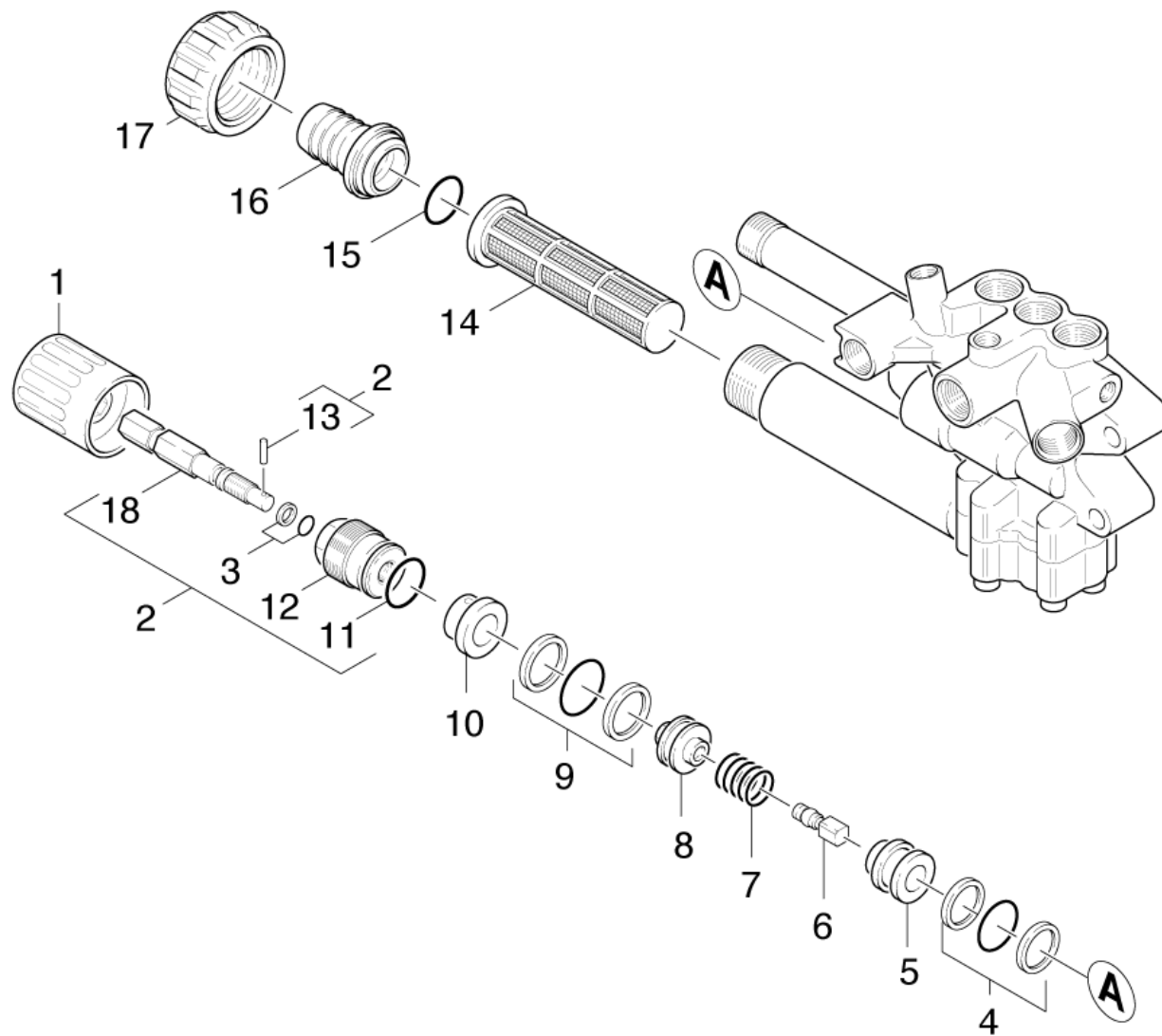
11 Valve (3 Stueck) (2.884-512.0)

POS	Article no.	Description	Quantity	Unit
5	6.363-003.0	O-Ring seal 13,0 X 2,0-NBR 90	1.000	ST



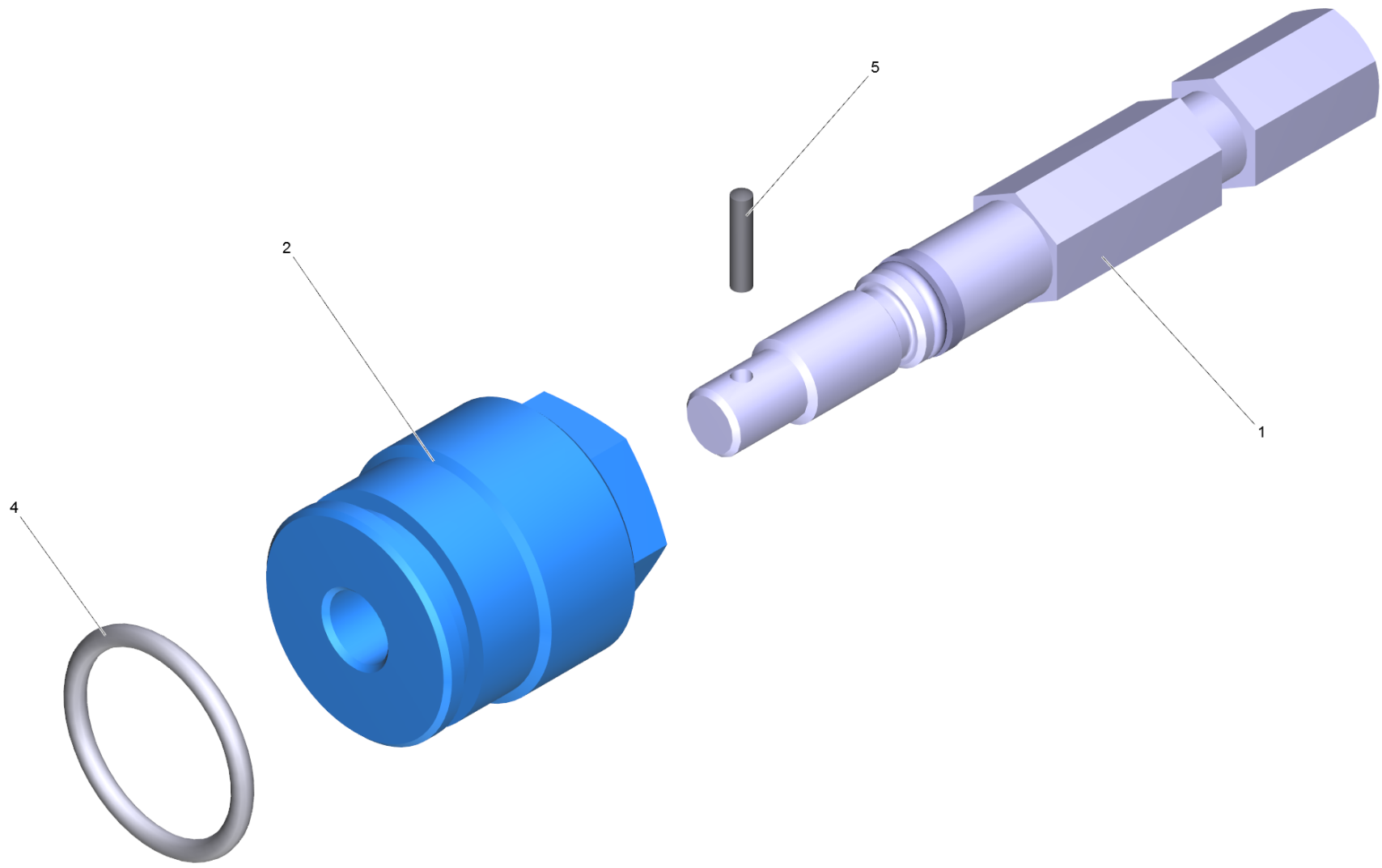
28 Valve complete (4.580-323.0)

POS	Article no.	Description	Quantity	Unit
5	6.362-381.0	O-Ring seal 13x2 - NBR 70	1.000	ST



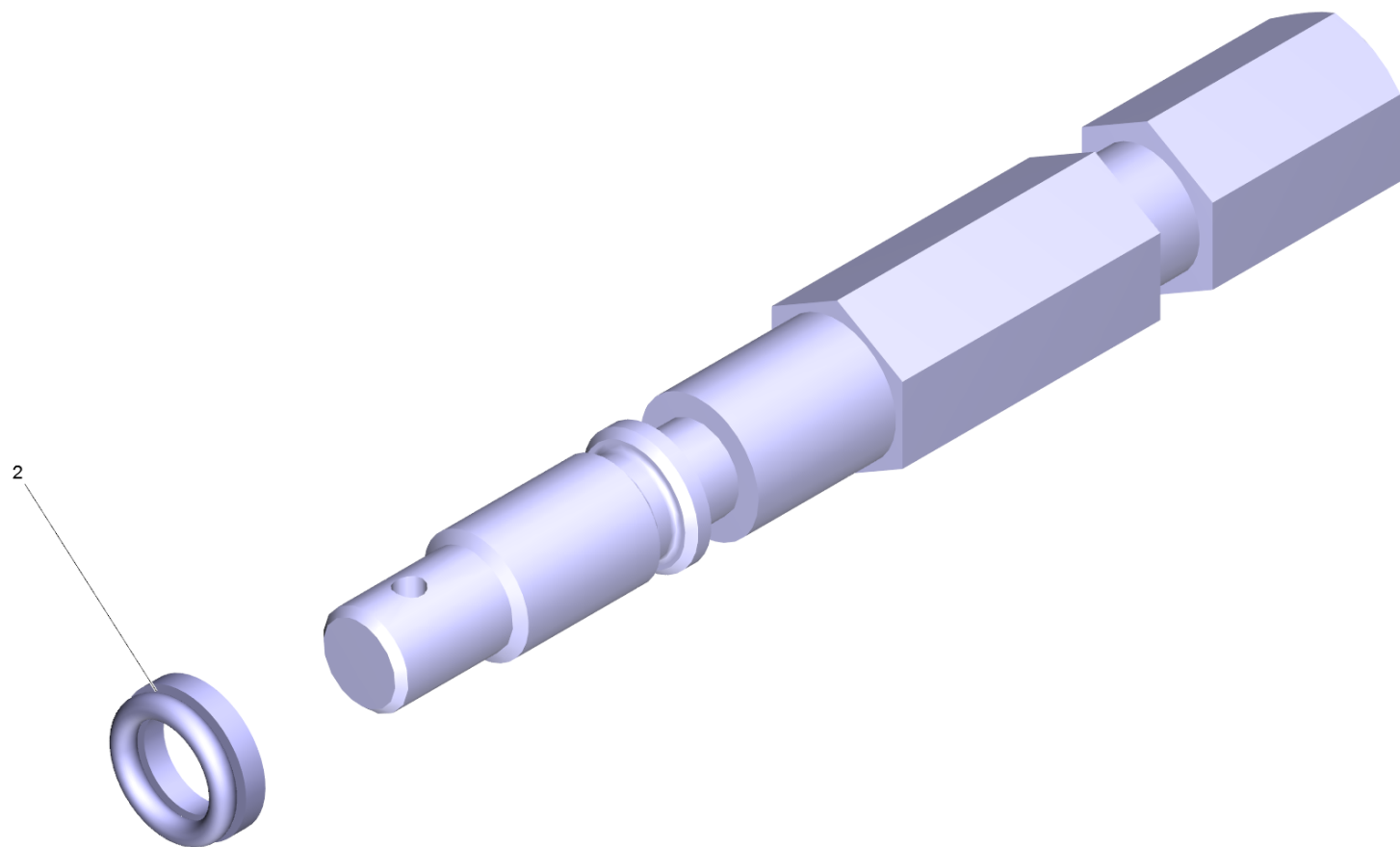
22 Cylinder head

POS	Article no.	Description	Quantity	Unit
1	5.321-307.0	Handhold	1.000	ST
2	4.401-079.0	Screw connector part	1.000	ST
3	6.362-468.0	O-Ring seal complete 1ST.-R.	1.000	ST
4	6.362-450.0	O-Ring seal complete 2ST.-R.	1.000	ST
5	5.581-214.0	Valve seat	1.000	ST
6	5.305-263.0	Shaped screw	1.000	ST
7	5.332-425.0	Helical spring	1.000	ST
8	5.553-363.0	Piston excess-current	1.000	ST
9	6.362-977.0	O-Ring seal complete 2ST.-R.	1.000	ST
10	5.110-630.0	Sleeve	1.000	ST
11	6.362-989.0	O-Ring seal 18x2 - NBR 80	1.000	ST
12	7.382-235.0	Screw plug M18x1,5-A-CuZn DIN 7604	1.000	ST
13	7.314-629.0	Grooved pin 2x10 -A1 ISO 8742	1.000	ST
14	6.414-282.0	Strainer	1.000	ST
15	6.362-078.0	O-Ring seal 13,3x2,4	1.000	ST
16	5.443-291.0	Hose stem	1.000	ST
17	5.310-076.0	Nut	1.000	ST
18	4.291-014.0	Spindle complete	1.000	ST



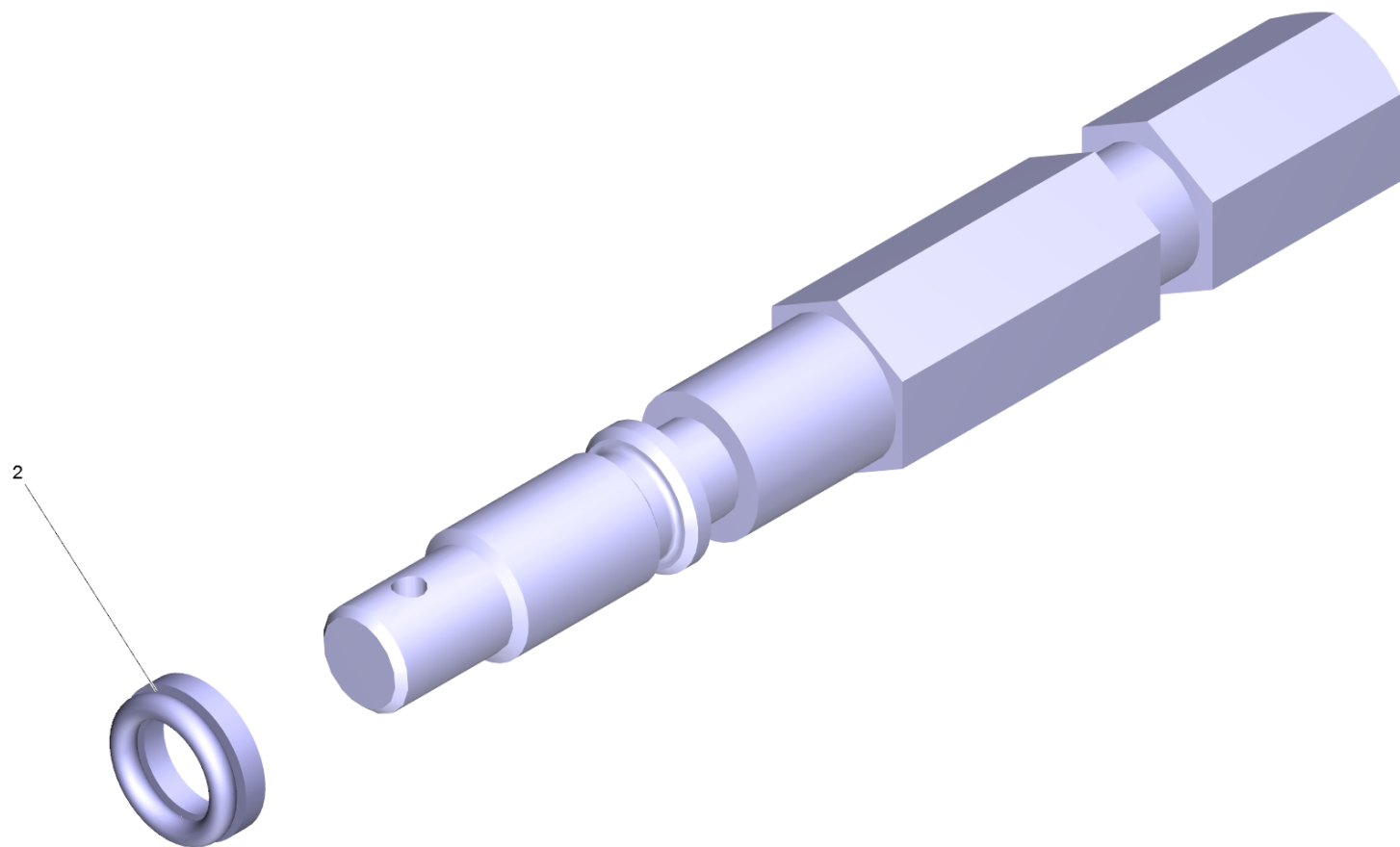
2 Screw connector part (4.401-079.0)

POS	Article no.	Description	Quantity	Unit
1	4.291-014.0	Spindle complete	1.000	ST
2	5.583-147.0	Valve screw	1.000	ST
4	6.362-989.0	O-Ring seal 18x2 - NBR 80	1.000	ST
5	7.314-629.0	Grooved pin 2x10 -A1 ISO 8742	1.000	ST
6	6.288-044.0	Silicon grease 100 G	1.000	ST



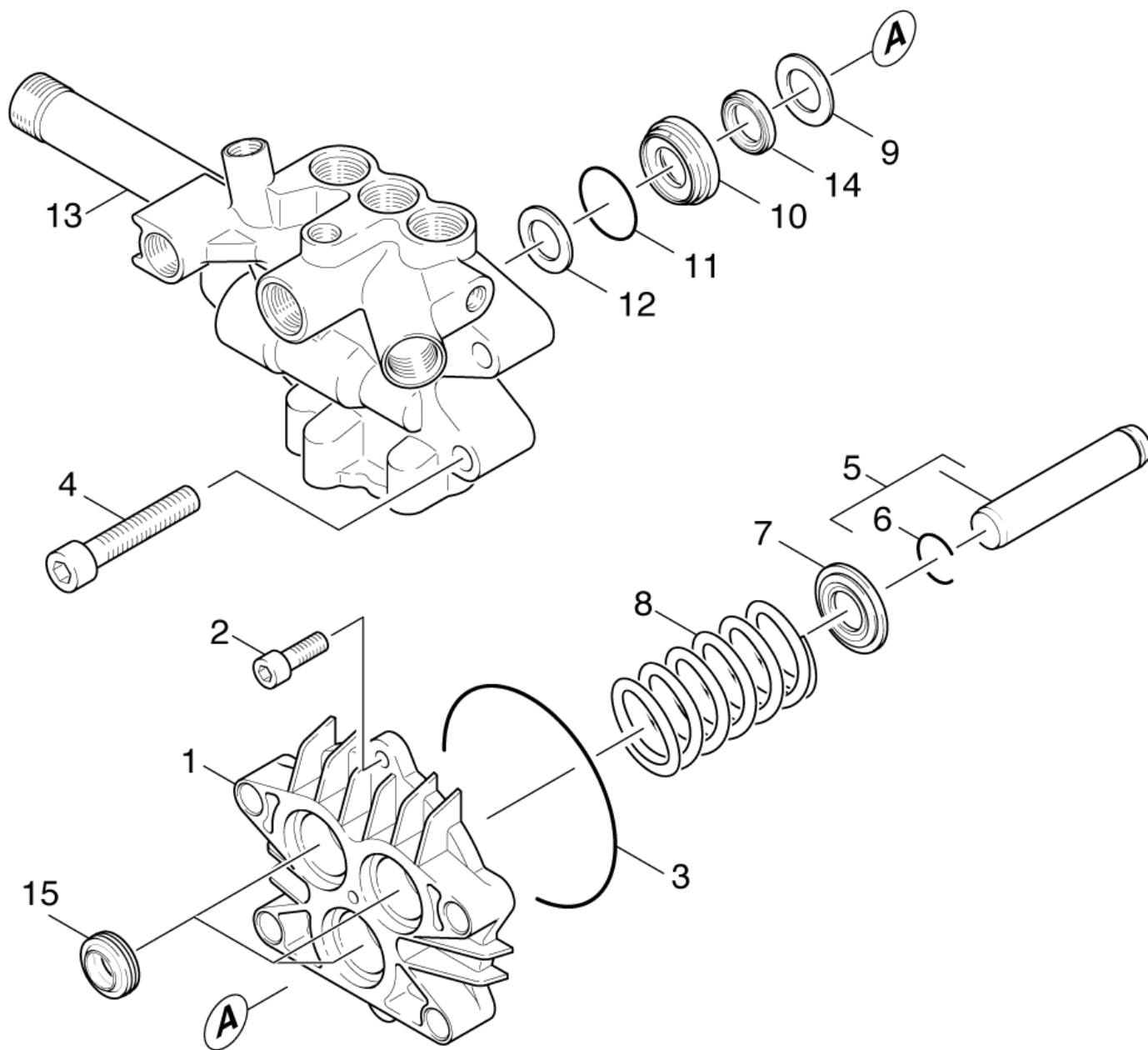
1 Spindle complete (4.291-014.0)

POS	Article no.	Description	Quantity	Unit
2	6.362-468.0	O-Ring seal complete 1ST.-R.	1.000	ST



18 Spindle complete (4.291-014.0)

POS	Article no.	Description	Quantity	Unit
2	6.362-468.0	O-Ring seal complete 1ST.-R.	1.000	ST

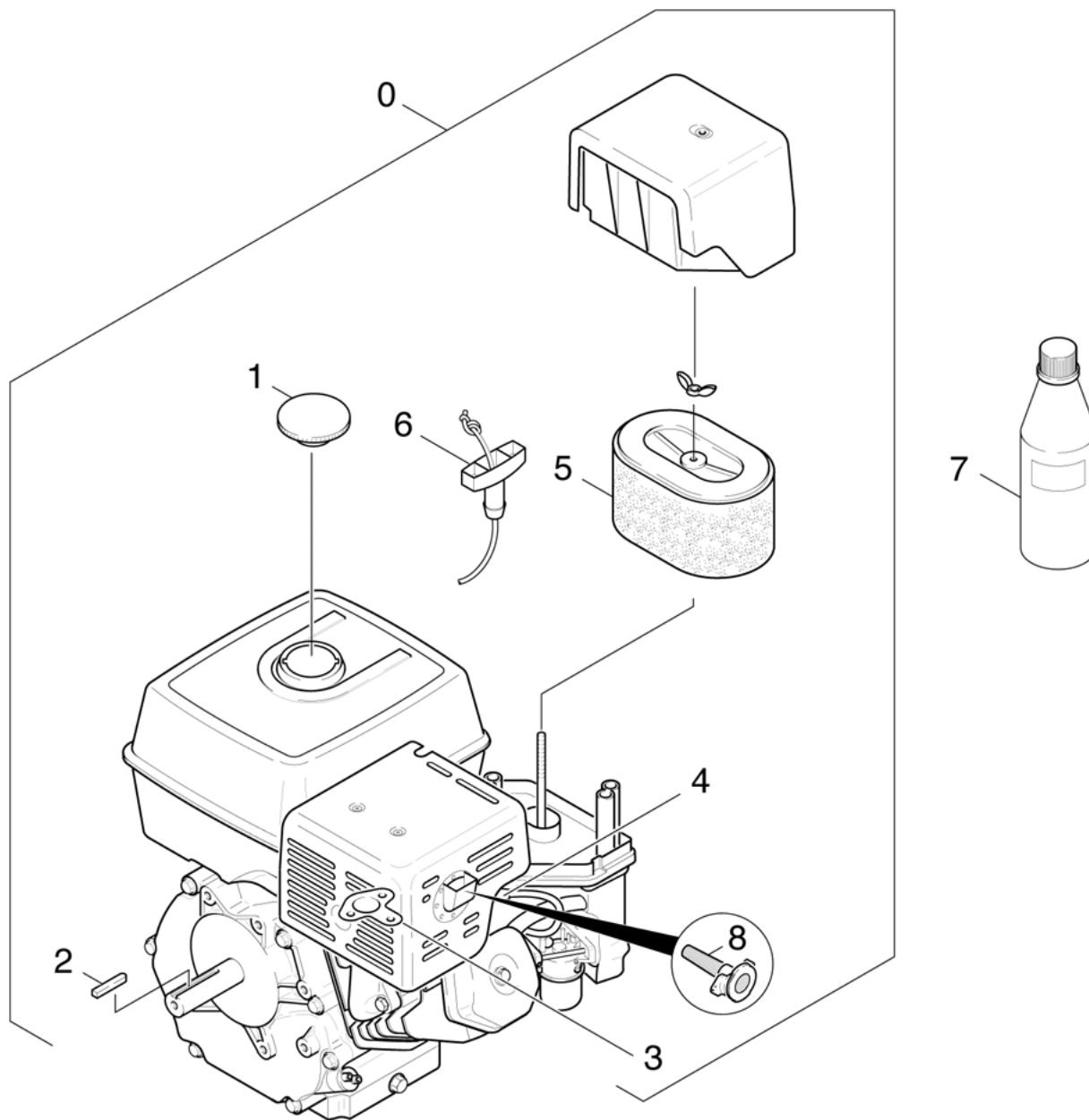


23 Piston

POS	Article no.	Description	Quantity	Unit
1	5.060-676.0	Housing	1.000	ST
2	7.306-023.0	Cylinder head screw M6x25 -8.8-A2E ISO4	2.000	ST
3	6.362-963.0	O-Ring seal 88,57X 2,62	1.000	ST
4	7.306-125.0	Cylinder head screw M10x70-8.8-A3E ISO4	4.000	ST
5	4.553-172.0	Piston complete	1.000	ST
6	7.343-478.0	Snap ring A16 -FST DIN 7993	3.000	ST
7	5.115-689.0	Washer	3.000	ST
8	5.332-403.0	Helical spring	3.000	ST
9	5.115-493.0	Washer	3.000	ST
10	5.112-402.0	Bush	3.000	ST
11	6.362-398.0	O-Ring seal 27,5 X 1,5-NBR 70	3.000	ST
12	5.115-492.0	Washer	3.000	ST
13	5.550-273.0	Cylinder head	1.000	ST
14	6.365-351.0	Compact seal 16 x 24 x 4	3.000	ST
15	6.365-322.0	Grooved ring 16X24X7	3.000	ST

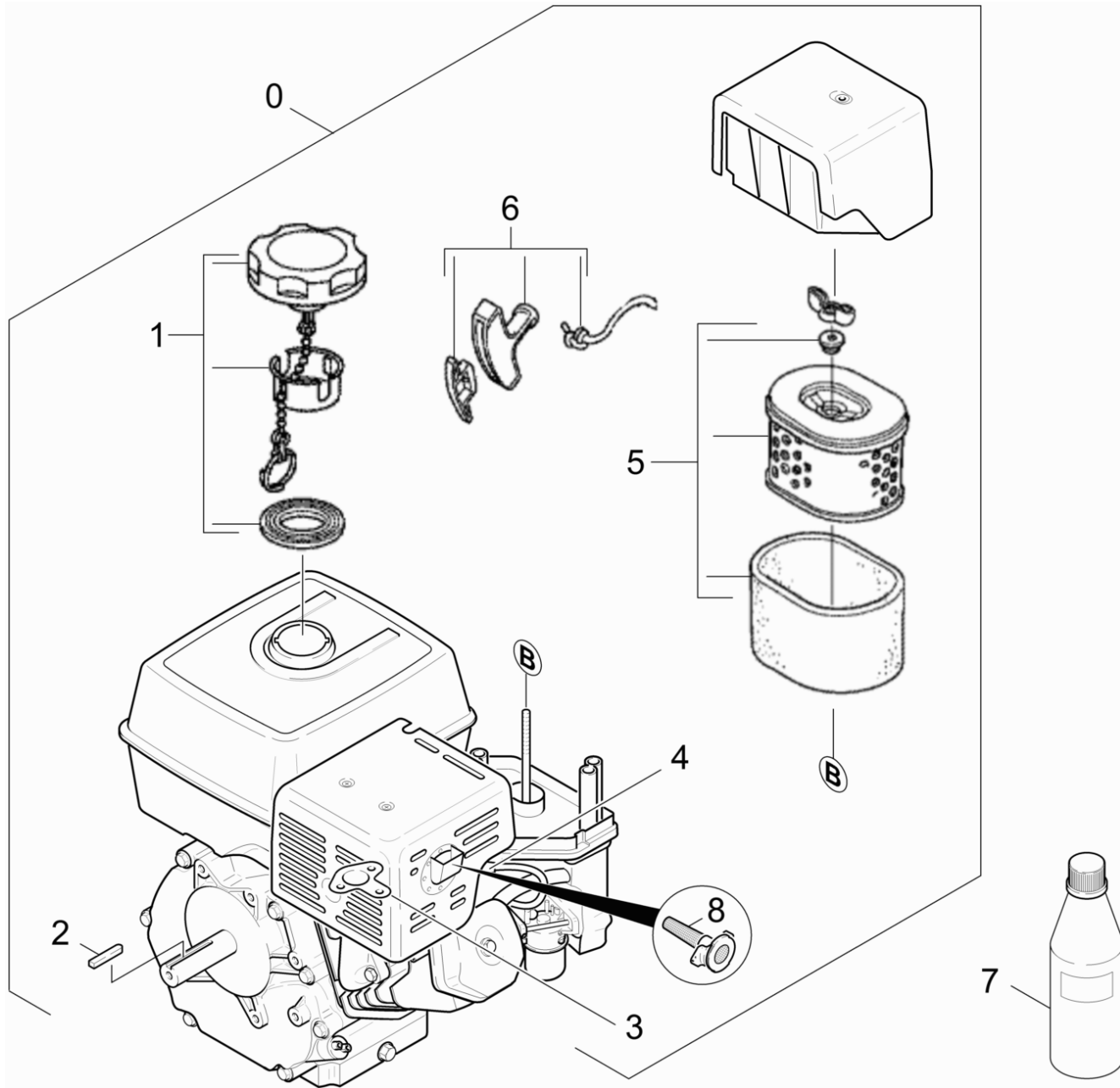
30 Motor

POS	Description	Quantity	Unit	Remark	Foot note text
31	Motor	1.000	ST	GX 340 K1 QK A4	VERSION 1
32	Motor	1.000	ST	GX 340 UT2 QK A4	VERSION 2
33	Transmission	1.000	ST		



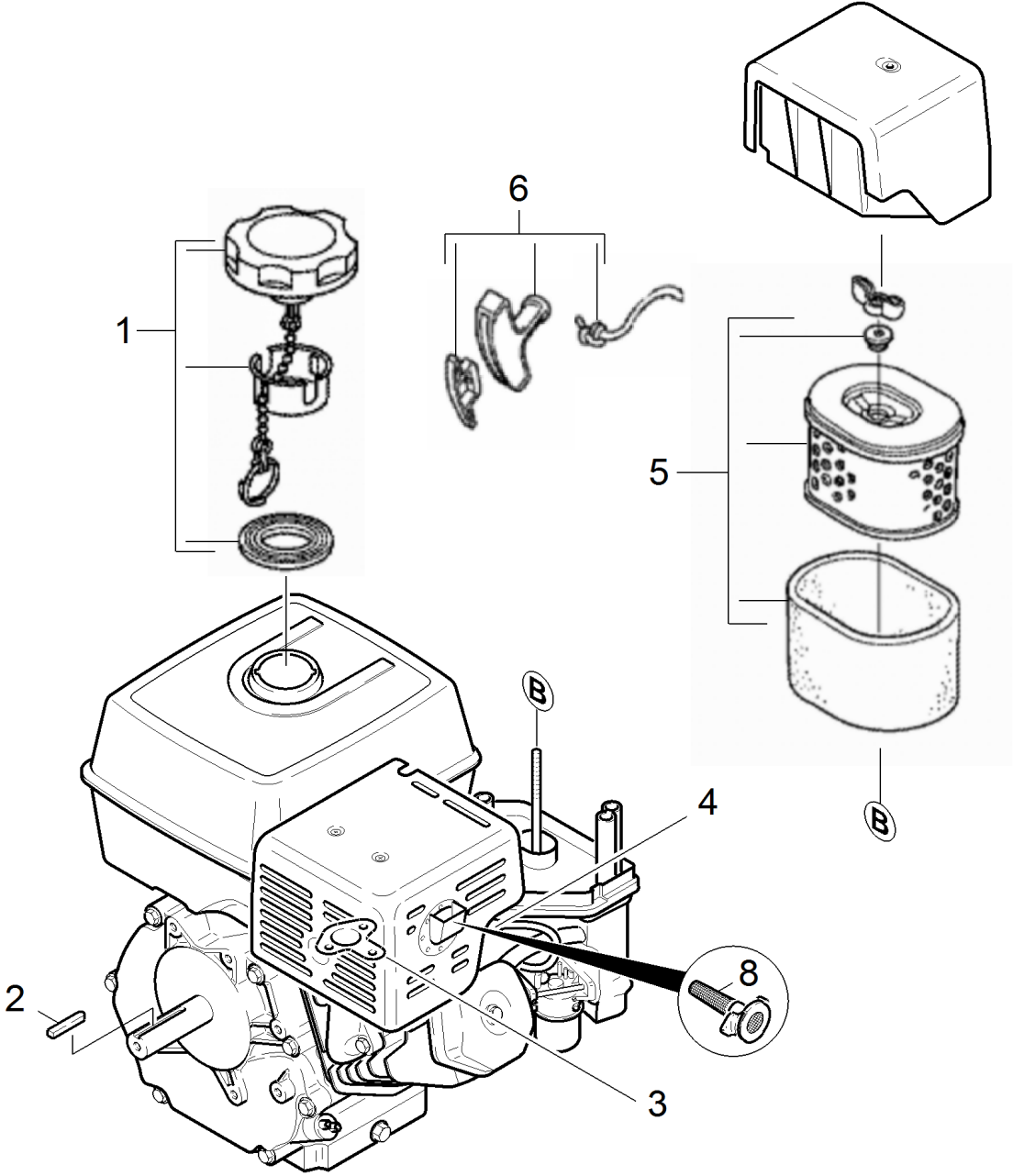
31 Motor

POS	Article no.	Description	Quantity	Unit	Foot note text
0	6.491-342.0	Gasoline engine 11PS	1.000	ST	
1	6.491-347.0	Cap of a tank complete	1.000	ST	
2	6.491-176.0	Parallel key 6,3X36	1.000	ST	
3	6.491-348.0	Seal	1.000	ST	
4	6.618-090.0	Ignition plug	1.000	ST	
5	6.491-345.0	Air filter insert	1.000	ST	
6	6.491-350.0	Starter rope complete	1.000	ST	
7	6.288-050.0	Engine oil 1L	2.000	ST	MOTOR 1,1L
8	6.661-190.0	Spark arrester	1.000	ST	



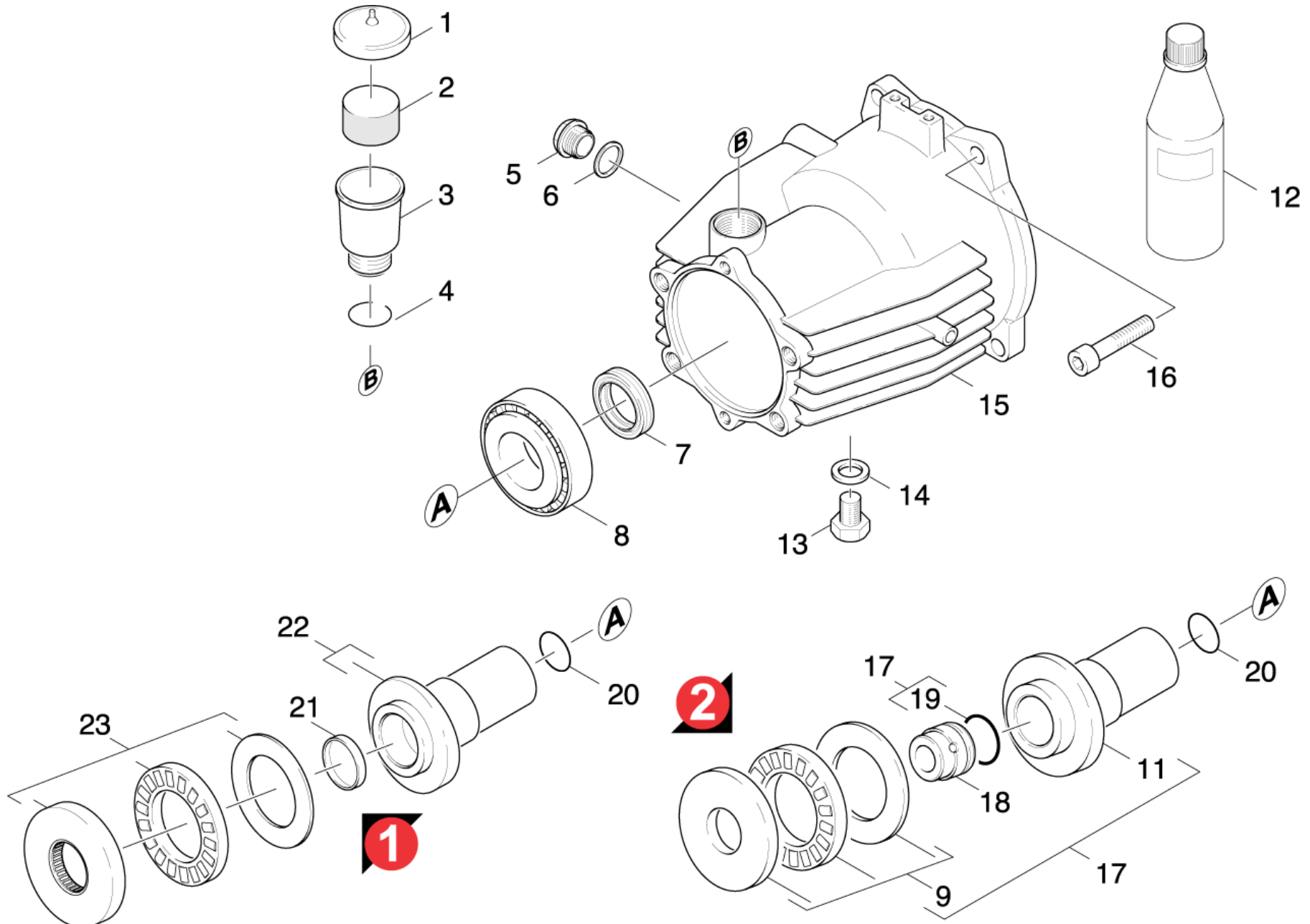
32 Motor

POS	Article no.	Description	Quantity	Unit	Remark	Foot note text
0	6.491-002.0	Gasoline engine 11PS	1.000	ST	GX 340 UT2 QK A4	
1	6.491-987.0	Cap of a tank	1.000	ST		
2	6.491-176.0	Parallel key 6,3X36	1.000	ST		
3	6.491-348.0	Seal	1.000	ST		
4	6.491-719.0	Ignition plug	1.000	ST		
5	6.491-345.0	Air filter insert	1.000	ST		
6	6.491-979.0	Starter rope complete	1.000	ST		
7	6.288-050.0	Engine oil 1L	2.000	ST		MOTOR 1,1L
8	6.491-980.0	Spark arrester	1.000	ST		



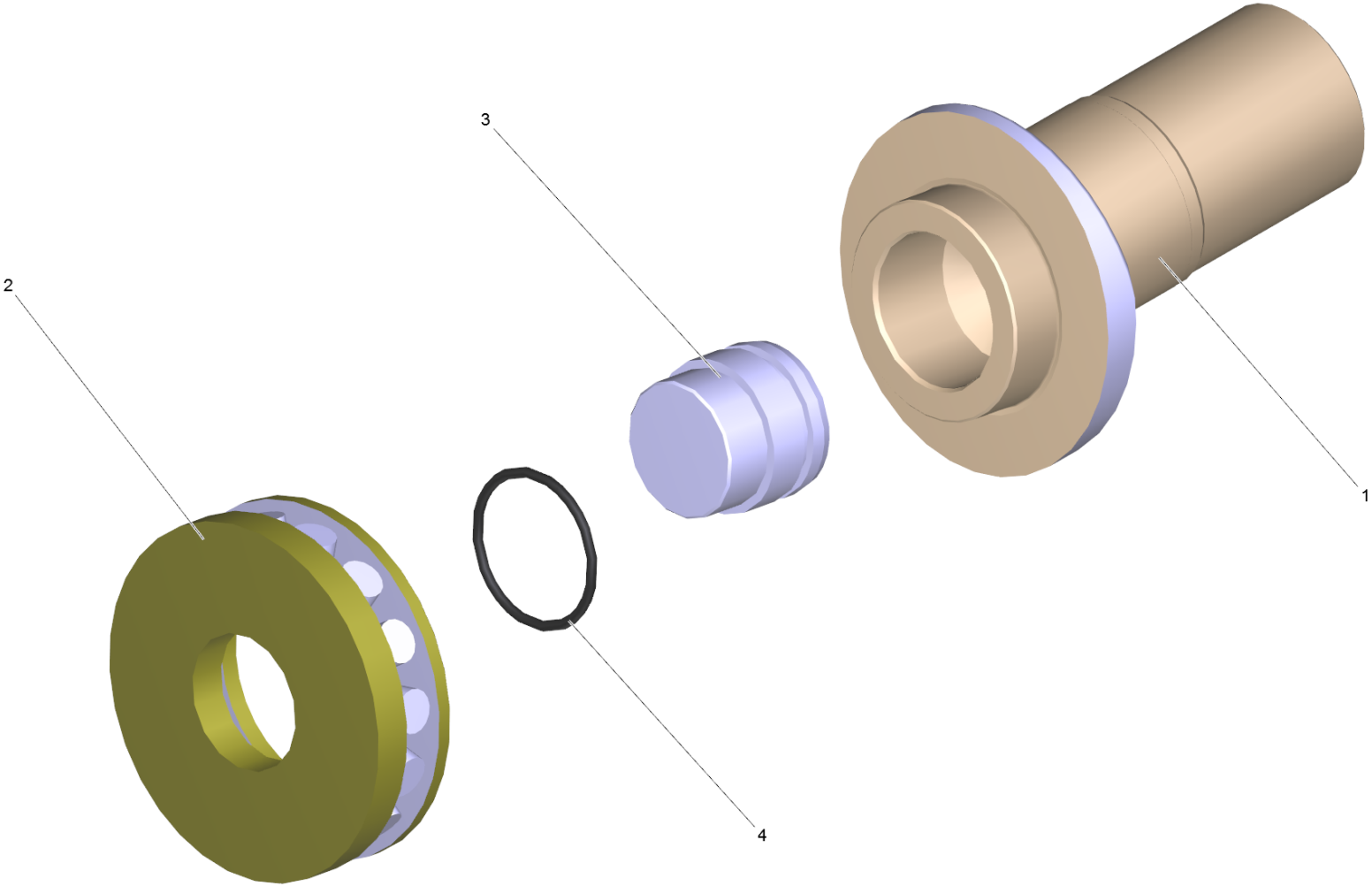
Gasoline engine 11PS (6.491-002.0)

POS	Article no.	Description	Quantity	Unit
1	6.491-987.0	Cap of a tank	1.000	ST
2	6.491-176.0	Parallel key 6,3X36	1.000	ST
3	6.491-348.0	Seal	1.000	ST
4	6.491-719.0	Ignition plug	1.000	ST
5	6.491-345.0	Air filter insert	1.000	ST
6	6.491-979.0	Starter rope complete	1.000	ST
8	6.491-980.0	Spark arrester	1.000	ST



33 Transmission

POS	Article no.	Description	Quantity	Unit	Foot note text
1	5.064-454.0	Cover qusty grey	1.000	ST	
2	5.132-107.0	Plug	1.000	ST	
3	5.070-194.0	Tank	1.000	ST	
4	6.362-168.0	O-Ring seal 22,3 X 2,4-NBR 70	1.000	ST	
5	5.411-062.0	Screw plug	1.000	ST	
6	6.362-585.0	Seal	1.000	ST	
7	7.367-011.0	Radial shaft seal ring A40x52x7-NBR DIN	1.000	ST	
8	6.401-225.3	Taper roller bearing 41	1.000	ST	
9	6.401-334.0	Axial roller bearing	1.000	ST	
11	4.120-238.0	Wobble plate -nur für Ersatz-	1.000	ST	
12	6.288-050.0	Engine oil 1L	1.000	ST	PUMP 0,35 L
13	7.382-233.0	Screw plug M14x1,5-A-CuZn DIN 7604	1.000	ST	
14	7.362-005.0	Joint ring A14x18 -Cu DIN 7603	1.000	ST	
15	5.060-827.3	Housing	1.000	ST	
16	6.304-035.0	Screw 3/8"-16UNC	4.000	ST	
17	4.120-198.0	Wobble plate complete	1.000	ST	
18	5.132-144.0	Plug	1.000	ST	
19	6.362-810.0	O-Ring seal 28,0 X 2,0 NBR 70	1.000	ST	
20	6.362-612.0	O-Ring seal 24,77x5,33-NBR 70	1.000	ST	
21	6.362-888.0	Gasket disc 32x7	1.000	ST	
22	5.120-293.0	Wobble plate	1.000	ST	
23	6.401-293.0	Bearing axial radial	1.000	ST	

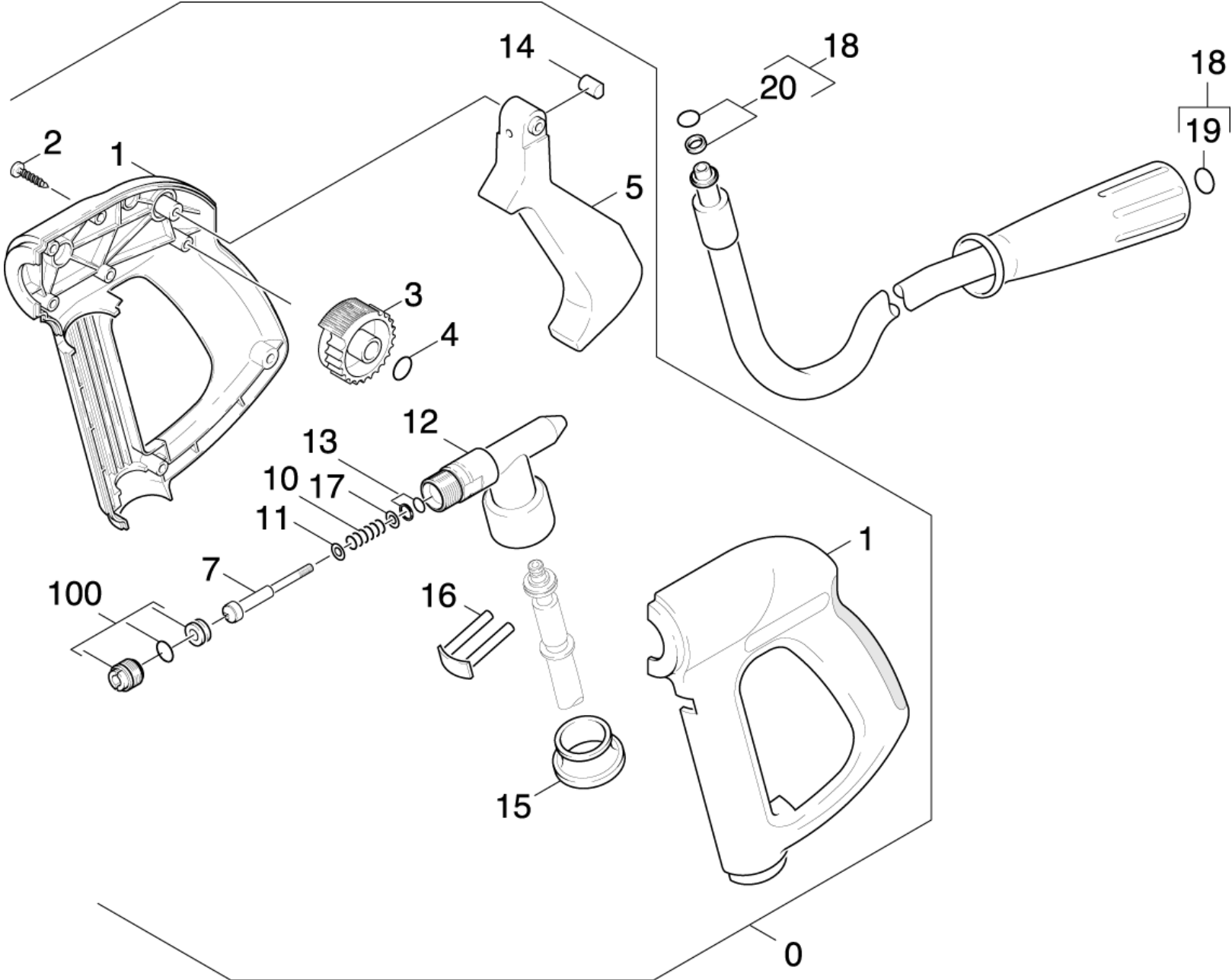


17 Wobble plate complete (4.120-198.0)

POS	Article no.	Description	Quantity	Unit
1	4.120-238.0	Wobble plate -nur für Ersatz-	1.000	ST
2	6.401-334.0	Axial roller bearing	1.000	ST
3	5.132-144.0	Plug	1.000	ST
4	6.362-810.0	O-Ring seal 28,0 X 2,0 NBR 70	1.000	ST

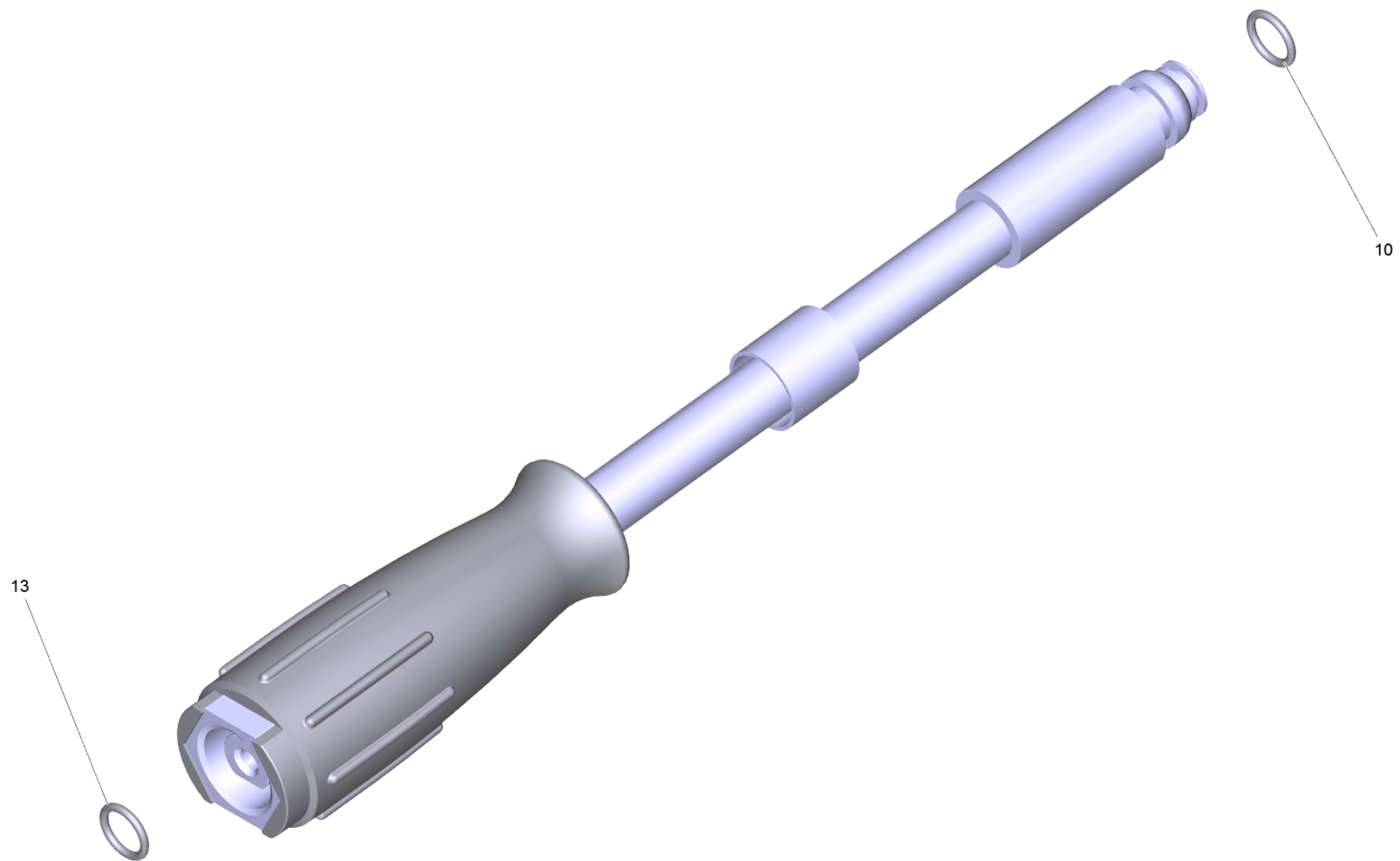
40 Accessories

POS	Description	Quantity	Unit	Remark
41	Hand trigger gun	1.000	ST	VERSION 1
42	Hand trigger gun	1.000	ST	VERSION 2
43	Jet pipe	1.000	ST	VERSION 1
44	Jet pipe	1.000	ST	VERSION 2
45	Nozzle	1.000	ST	



41 Hand trigger gun

POS	Article no.	Description	Quantity	Unit
0	7.777-999.0	Stockpiling discontinued	1.000	ST
1	5.321-494.0	Handhold few	1.000	ST
2	7.303-096.0	Screw 4x22 -ST-10.9-R2R (IN6RD)	8.000	ST
3	5.322-011.0	Hand wheel	1.000	ST
4	6.362-642.0	O-Ring d. 7,65x1,78 -NBR 80	1.000	ST
5	5.481-178.0	Lever	1.000	ST
7	5.553-347.0	Piston	1.000	ST
10	5.332-384.0	Helical spring	1.000	ST
11	5.115-675.0	Washer	1.000	ST
12	5.427-205.0	Manifold	1.000	ST
13	6.362-477.0	O-Ring seal complete 1ST.-R.	1.000	ST
14	5.316-400.0	Bolt	1.000	ST
15	5.110-596.0	Sleeve	1.000	ST
16	4.037-013.0	Hook	1.000	ST
17	5.115-661.0	Washer	1.000	ST
18	6.390-185.0	Hose assembly DN8 max.31,5MPa 15m	1.000	ST
19	2.880-990.0	Spare part set O-Ring 5x -Kaercher	1.000	ST
20	6.363-115.0	O-Ring seal complete 1ST.-R.	1.000	ST
100	2.883-903.0	Spare part set	1.000	ST

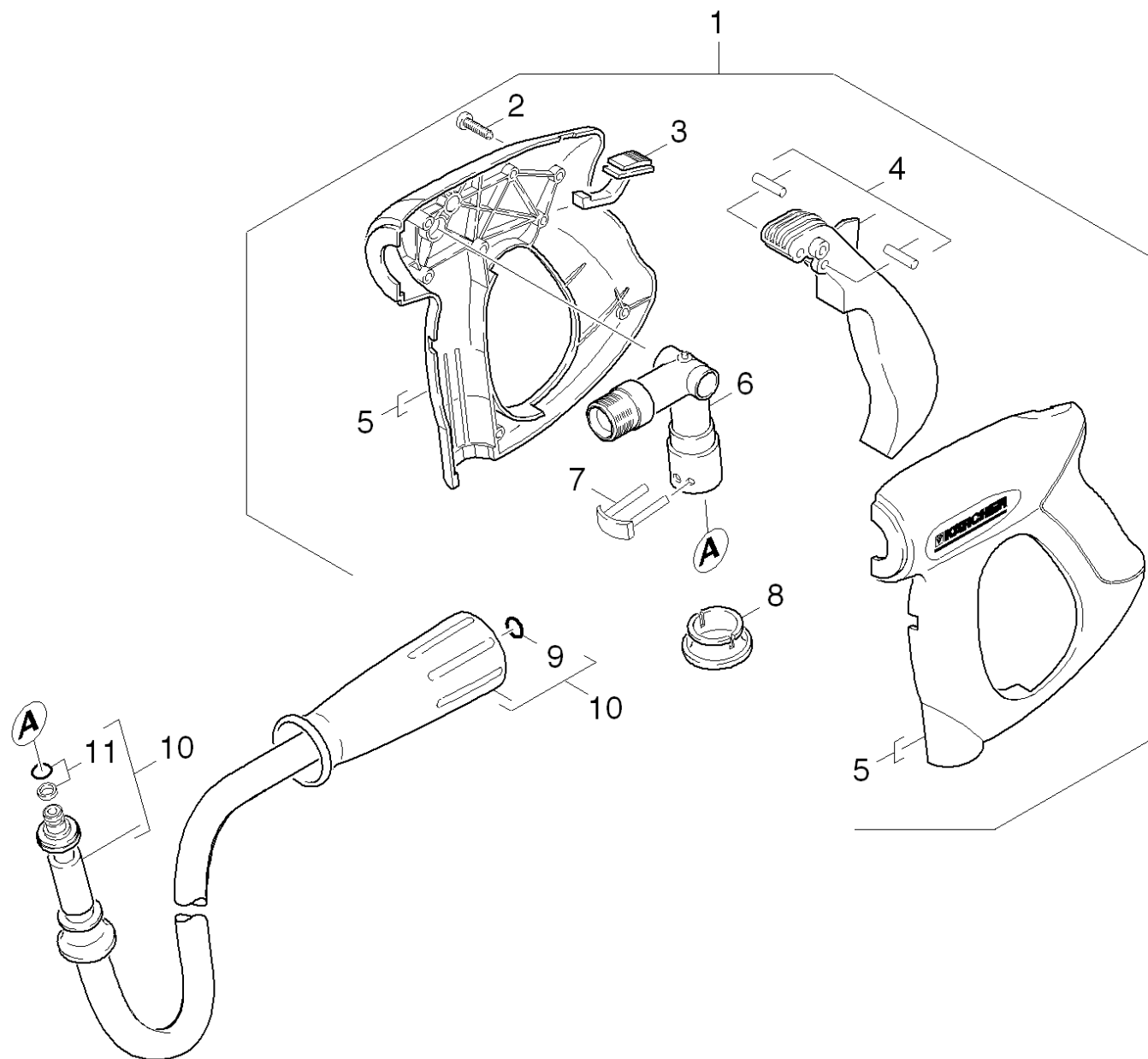


18 Hose assembly DN8 max.31,5MPa 15m (6.390-185.0)

POS	Article no.	Description	Quantity	Unit
10	4.363-691.0	O-Ring seal kpl. -nur fuer Ersatz-	1.000	ST
13	2.880-990.0	Spare part set O-Ring 5x -Kaercher	1.000	ST

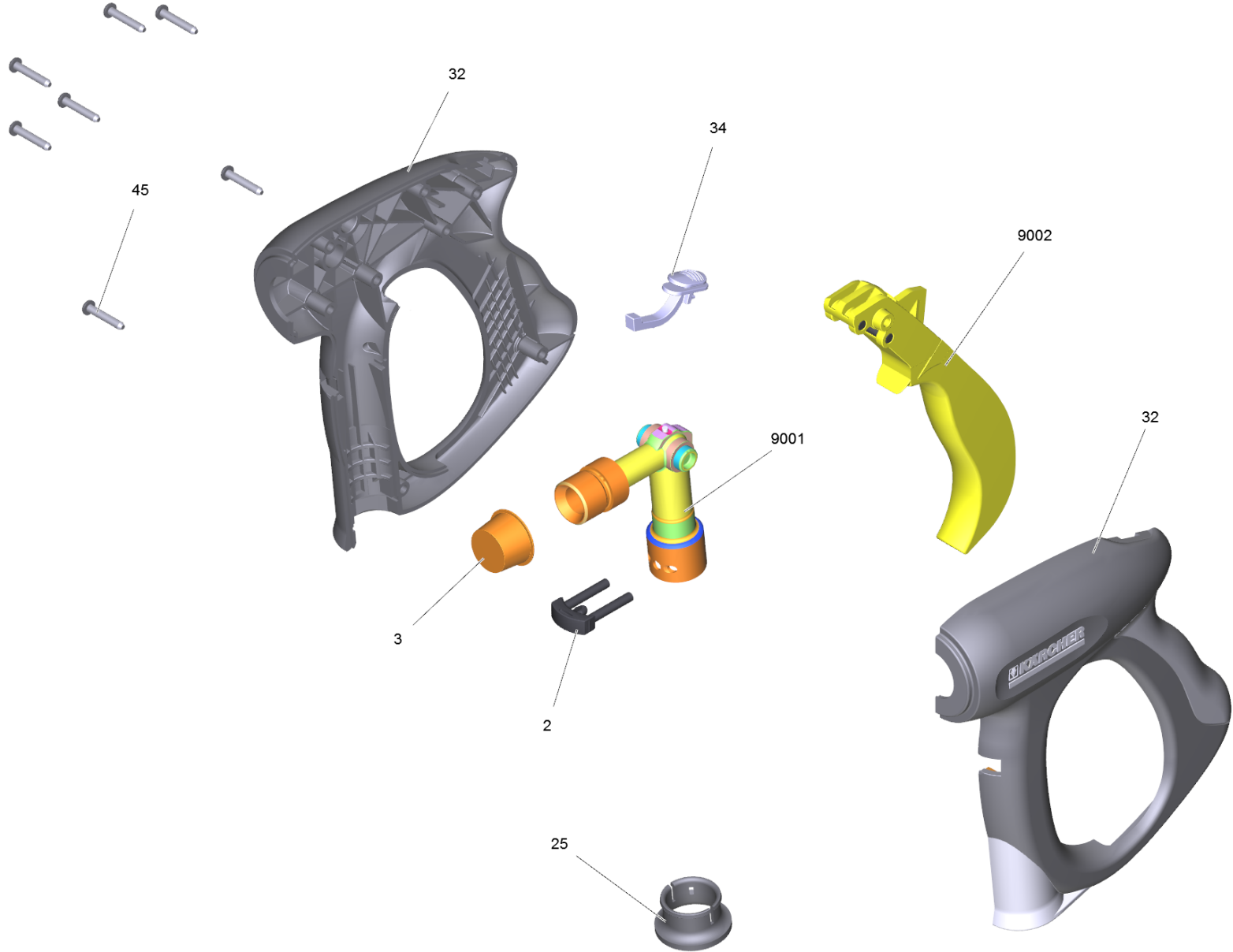
100 Spare part set (2.883-903.0)

POS	Article no.	Description	Quantity	Unit
10	5.404-068.0	Hollow screw	1.000	ST
20	5.581-211.0	Valve seat	1.000	ST
30	6.362-642.0	O-Ring d. 7,65x1,78 -NBR 80	1.000	ST
40	6.590-004.0	Bag PE 80x100 mm	1.000	ST



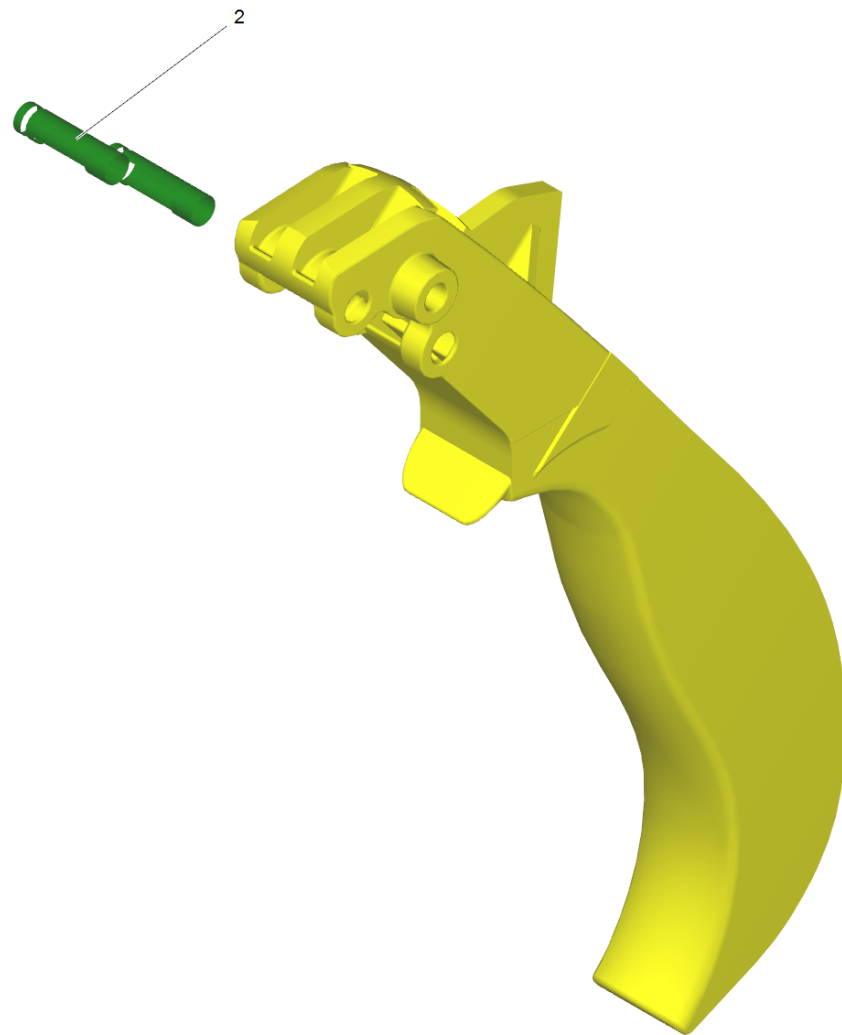
42 Hand trigger gun

POS	Article no.	Description	Quantity	Unit
1	4.775-463.0	HAND TRIGGER GUN EASY PRESS	1.000	ST
2	7.303-096.0	Screw 4x22 -ST-10.9-R2R (IN6RD)	7.000	ST
3	5.481-331.0	Slider	1.000	ST
4	4.481-209.0	Lever complete	1.000	ST
5	5.321-669.3	Handhold few	1.000	ST
6	4.427-215.0	Manifold complete only for replacement	1.000	ST
7	4.037-013.0	Hook	1.000	ST
8	5.110-596.0	Sleeve	1.000	ST
9	2.880-990.0	Spare part set O-Ring 5x -Kaercher	1.000	ST
10	6.390-185.0	Hose assembly DN8 max.31,5MPa 15m	1.000	ST
11	6.363-115.0	O-Ring seal complete 1ST.-R.	1.000	ST



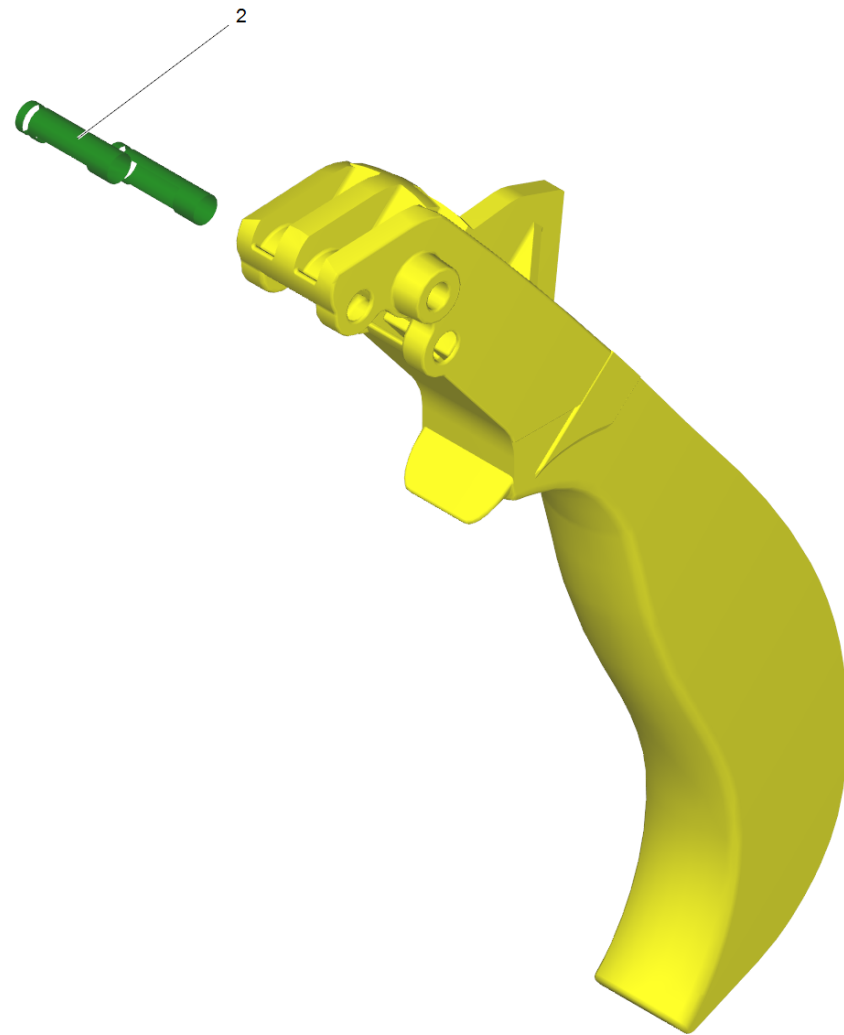
1 HAND TRIGGER GUN EASY PRESS (4.775-463.0)

POS	Article no.	Description	Quantity	Unit
2	4.037-013.0	Hook	1.000	ST
3	6.368-012.0	Protecting cap 22X1,5	1.000	ST
4	6.869-075.0	Metal bonding agent 1 ml	1.000	ST
25	5.110-596.0	Sleeve	1.000	ST
32	5.321-669.3	Handhold few	1.000	ST
34	5.481-331.0	Slider	1.000	ST
45	7.303-096.0	Screw 4x22 -ST-10.9-R2R (IN6RD)	7.000	ST
1041	6.288-044.0	Silicon grease 100 G	1.000	ST
9001	4.427-215.0	Manifold complete only for replacement	1.000	ST
9002	4.481-209.0	Lever complete	1.000	ST



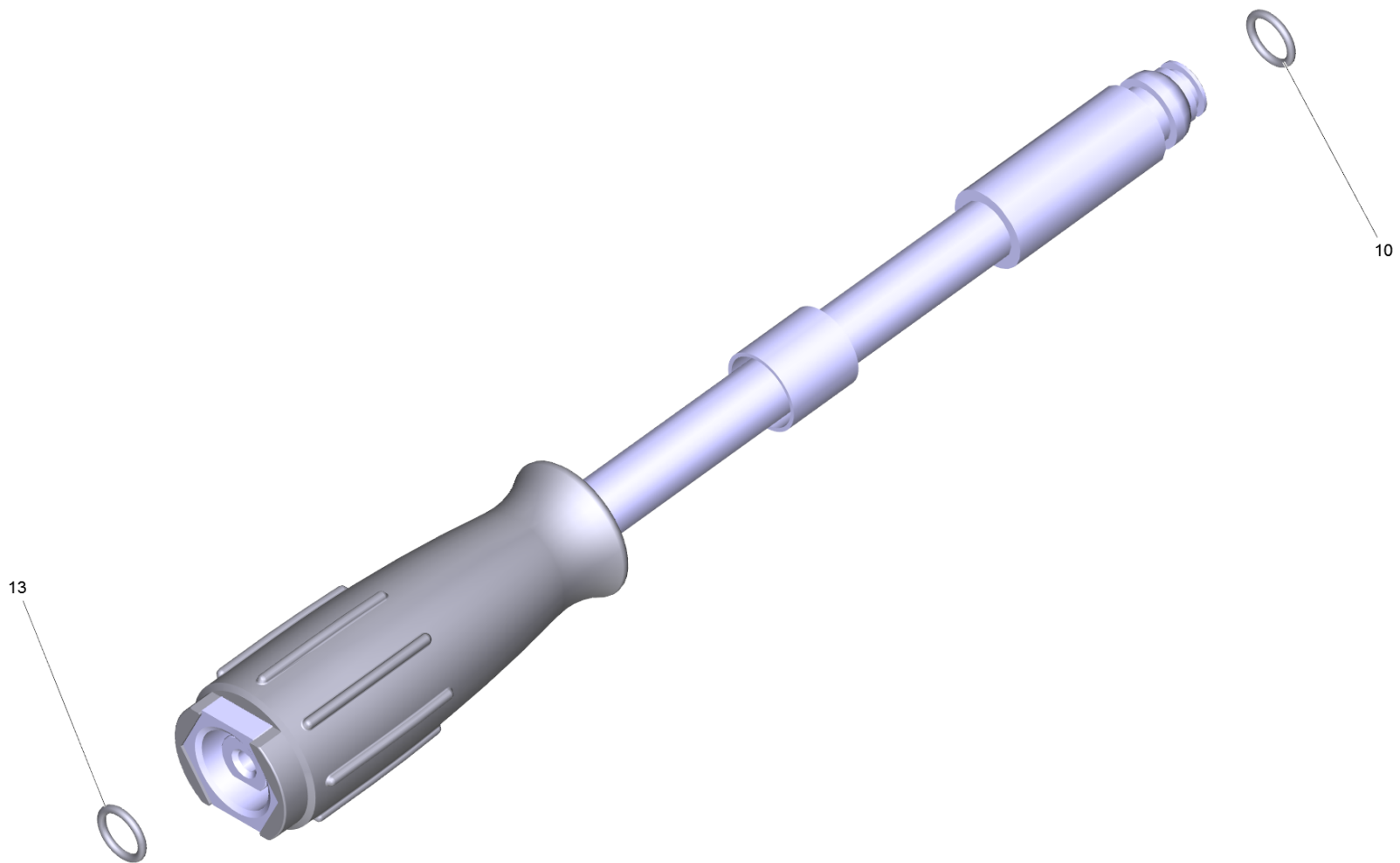
9002 Lever complete (4.481-209.0)

POS	Article no.	Description	Quantity	Unit
2	5.314-119.0	Pin	2.000	ST



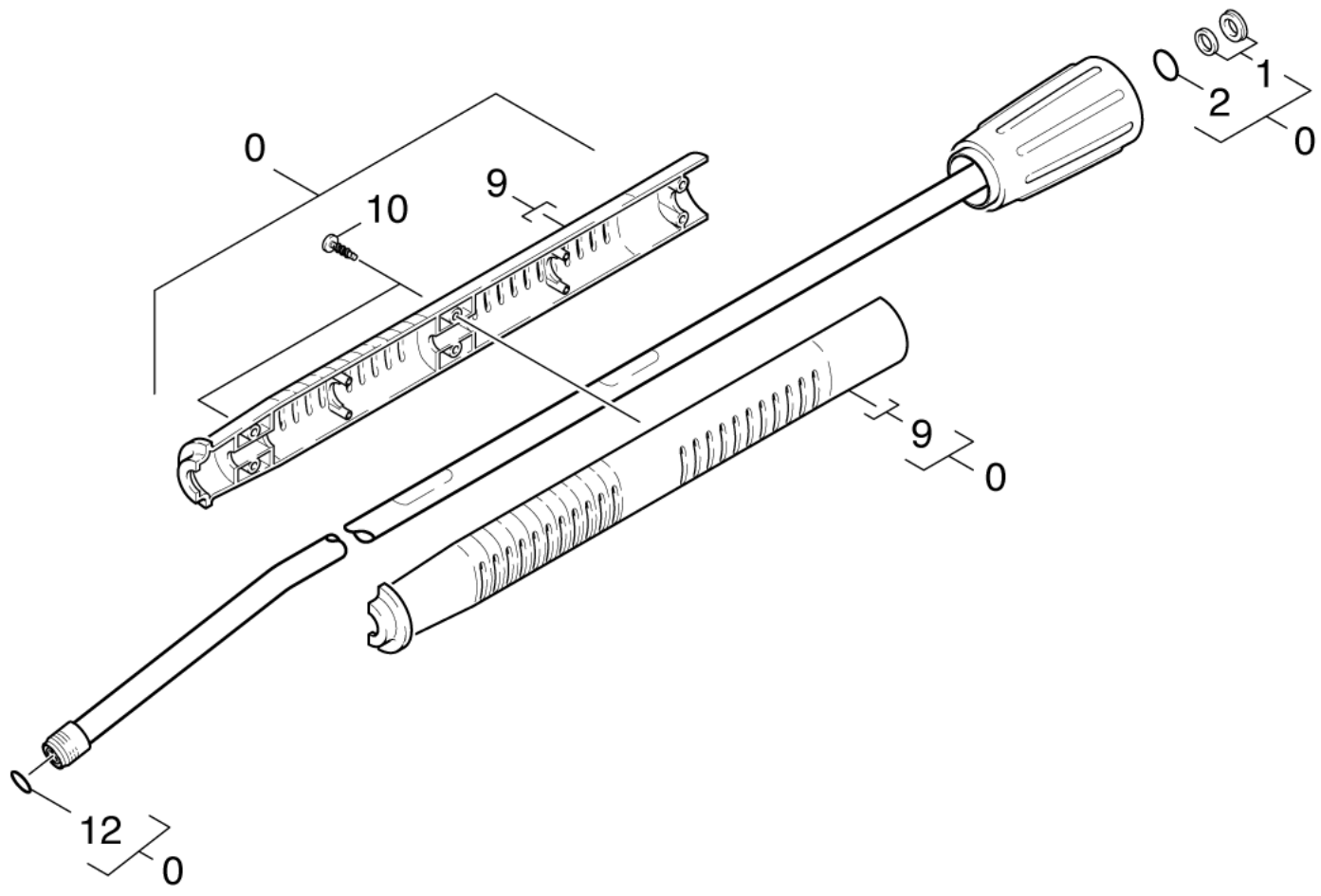
4 Lever complete (4.481-209.0)

POS	Article no.	Description	Quantity	Unit
2	5.314-119.0	Pin	2.000	ST



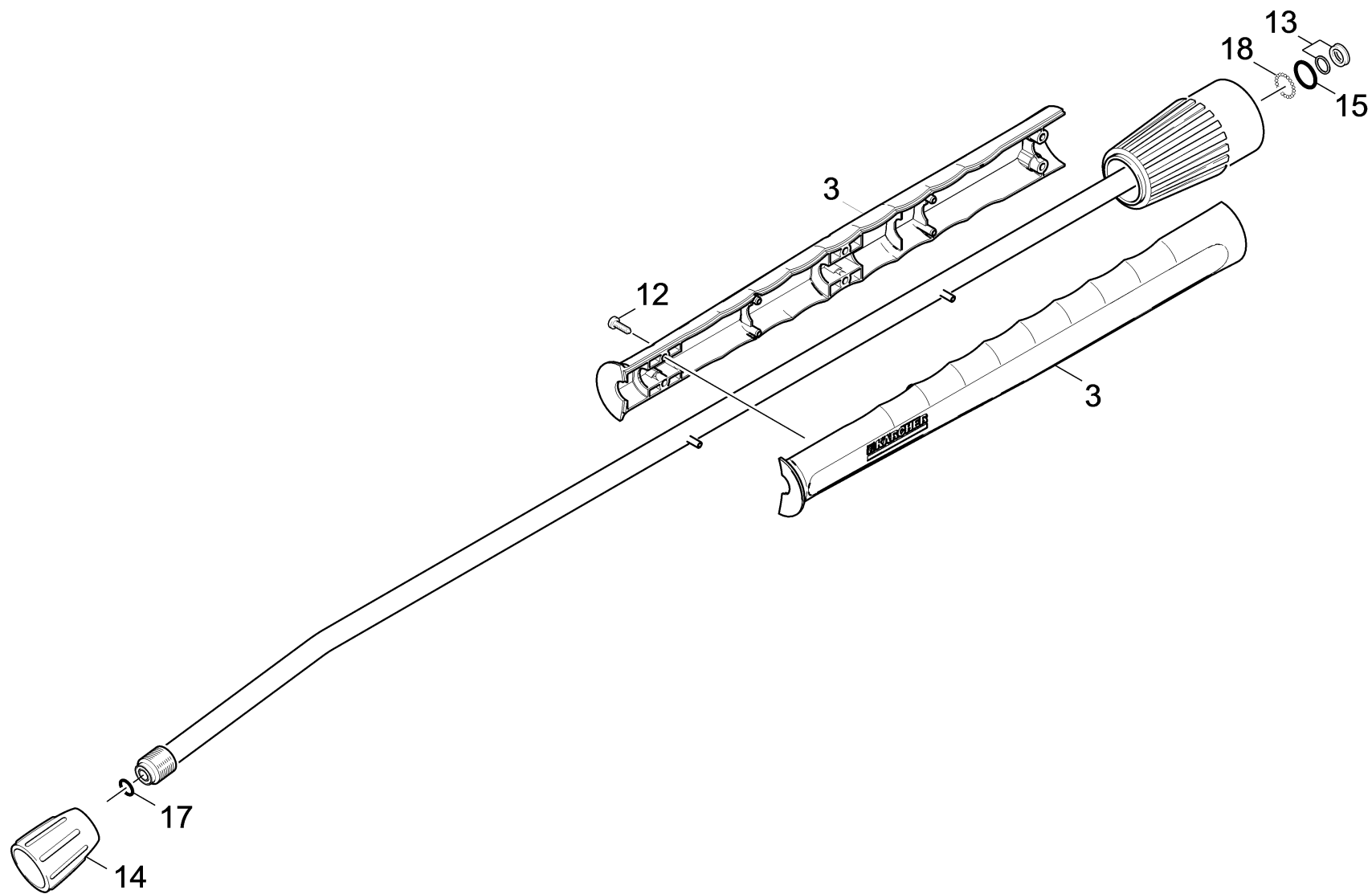
10 Hose assembly DN8 max.31,5MPa 15m (6.390-185.0)

POS	Article no.	Description	Quantity	Unit
10	4.363-691.0	O-Ring seal kpl. -nur fuer Ersatz-	1.000	ST
13	2.880-990.0	Spare part set O-Ring 5x -Kaercher	1.000	ST



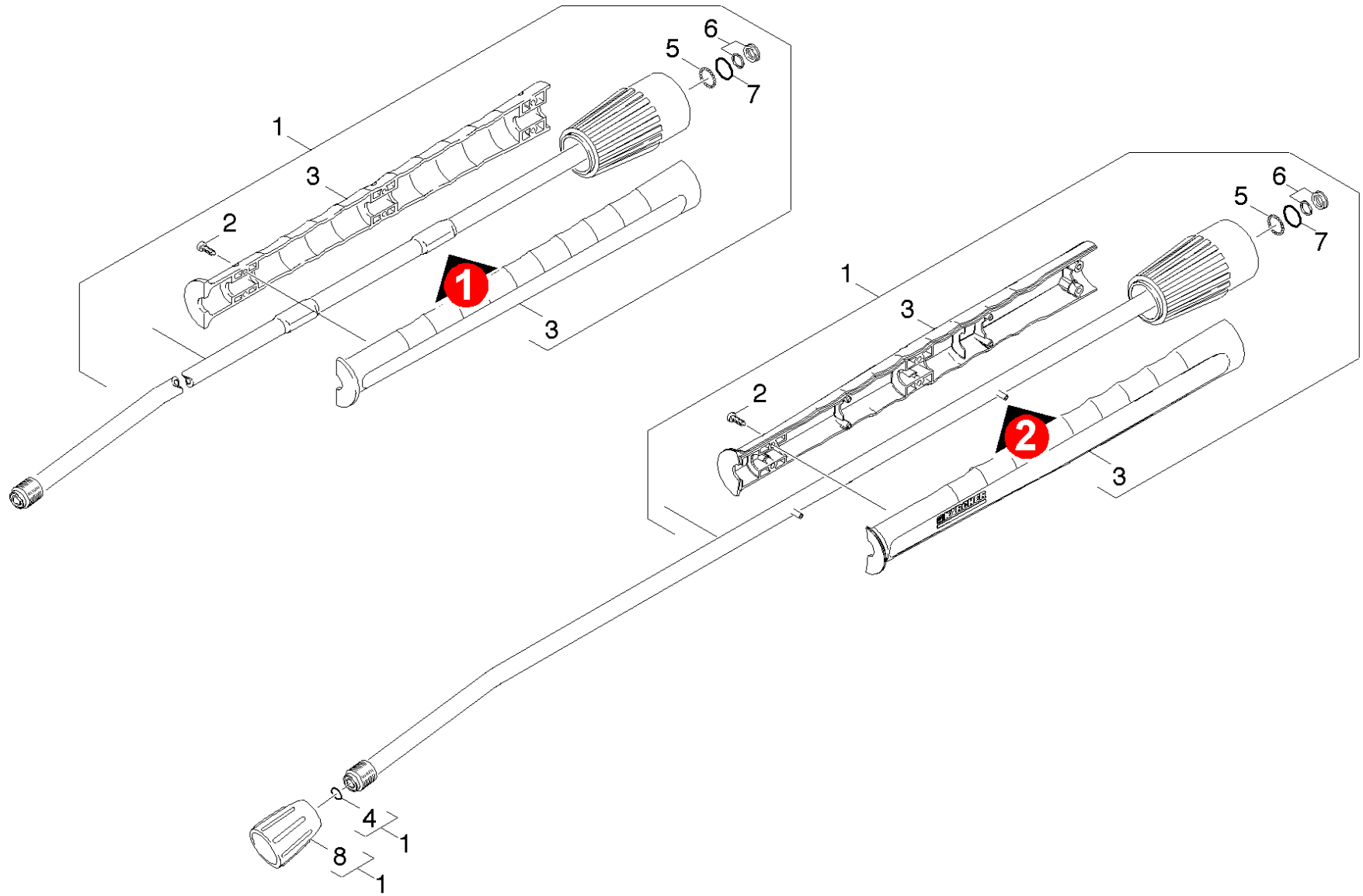
43 Jet pipe

POS	Article no.	Description	Quantity	Unit
0	4.760-660.0	Jet pipe packaged only for replacement	1.000	ST
1	4.363-692.0	Grooved ring kpl. -nur fuer Ersatz-	1.000	ST
2	6.362-524.0	O-Ring seal 17,0 X 1,5	1.000	ST
9	5.321-691.0	Handhold few jet pipe	1.000	ST
10	6.303-025.0	Oval head screw 4,2x16-St-vz	6.000	ST
12	2.880-154.0	O-Ring kit	1.000	ST



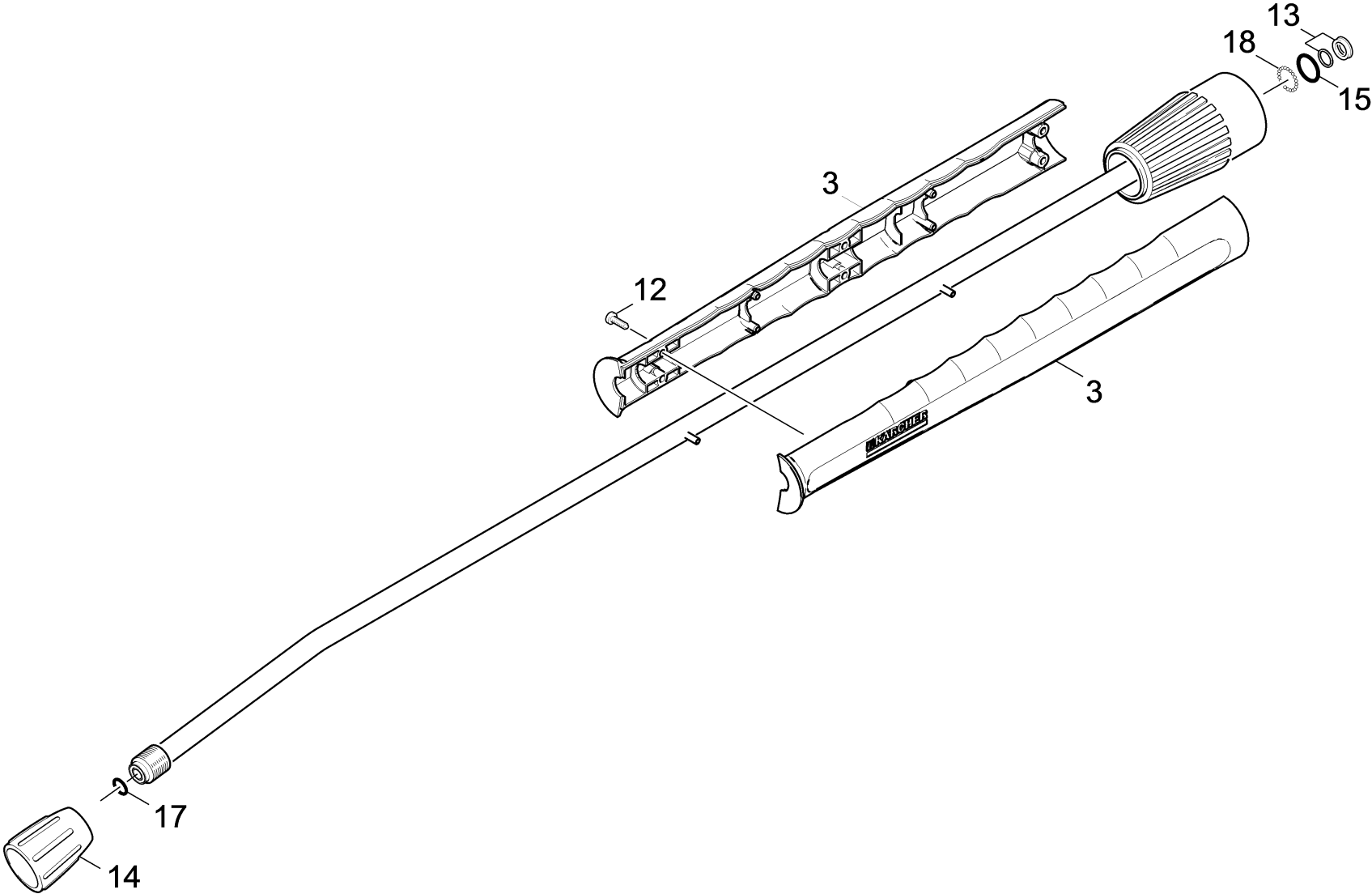
Jet pipe packaged only for replacement (4.760-660.0)

POS	Article no.	Description	Quantity	Unit
3	5.321-855.0	Handhold few jet pipe with welding bolt	1.000	ST
12	7.303-129.0	Screw 4x16 -10.9-R2R (K-In6Rd)	6.000	ST
13	4.363-692.0	Grooved ring kpl. -nur fuer Ersatz-	1.000	ST
14	5.401-210.0	Screw connector part	1.000	ST
15	6.362-524.0	O-Ring seal 17,0 X 1,5	1.000	ST
17	2.880-990.0	Spare part set O-Ring 5x -Kaercher	1.000	ST
18	7.401-915.0	Sphere 2,5 G20 -1.4034 DIN 5401	1.000	ST



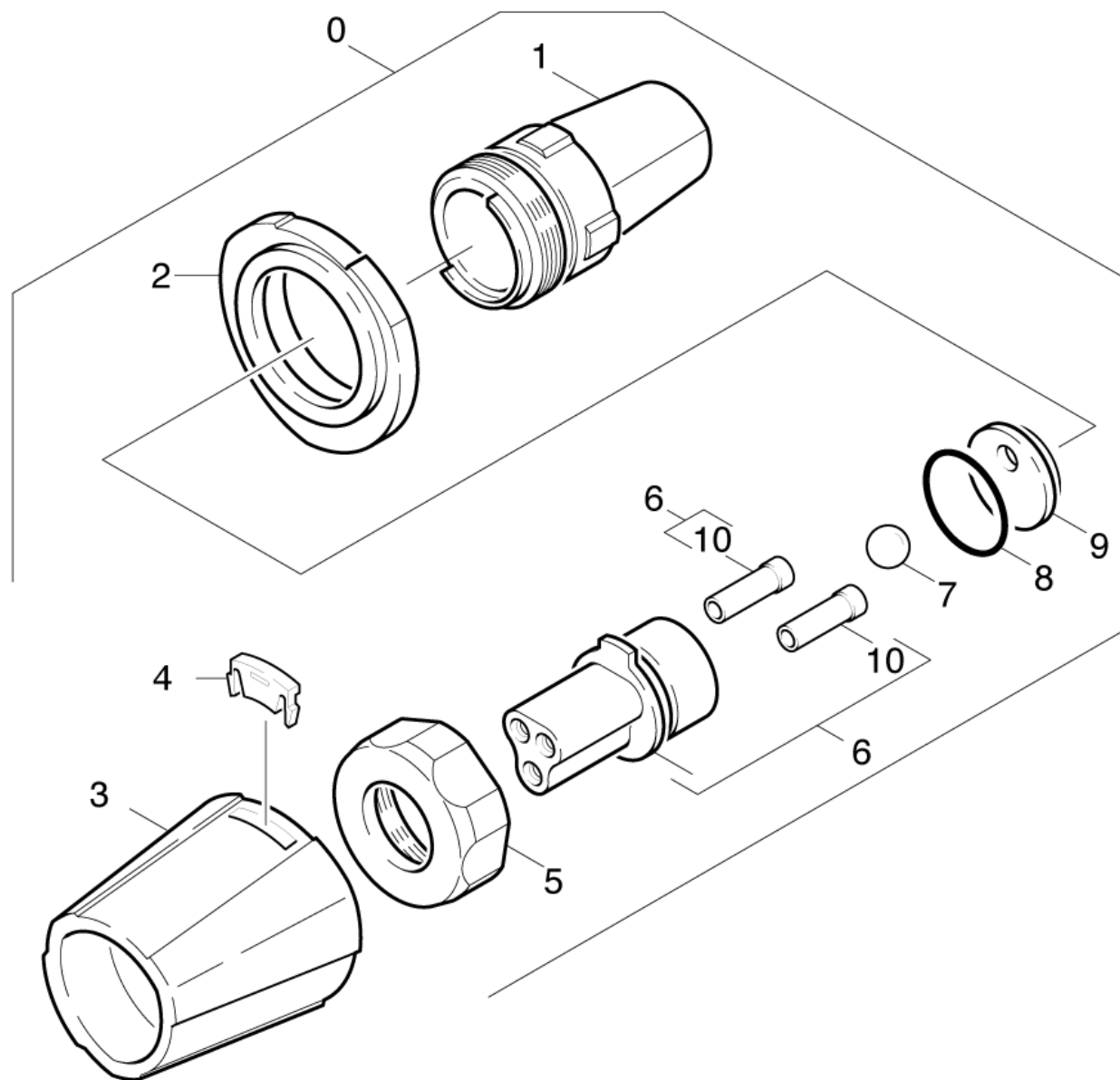
44 Jet pipe

POS	Article no.	Description	Quantity	Unit	Remark
1	4.760-660.0	Jet pipe packaged only for replacement	1.000	ST	
2	7.303-129.0	Screw 4x16 -10.9-R2R (K-In6Rd)	6.000	ST	
3	5.321-855.0	Handhold few jet pipe with welding bolt	1.000	ST	VERSION 2
3	5.321-691.0	Handhold few jet pipe	1.000	ST	VERSION 1
4	2.880-990.0	Spare part set O-Ring 5x -Kaercher	1.000	ST	
5	7.401-915.0	Sphere 2,5 G20 -1.4034 DIN 5401	20.000	ST	
6	4.363-692.0	Grooved ring kpl. -nur fuer Ersatz-	1.000	ST	
7	6.362-524.0	O-Ring seal 17,0 X 1,5	1.000	ST	
8	5.401-129.0	Screw connector part	1.000	ST	



1 Jet pipe packaged only for replacement (4.760-660.0)

POS	Article no.	Description	Quantity	Unit
3	5.321-855.0	Handhold few jet pipe with welding bolt	1.000	ST
12	7.303-129.0	Screw 4x16 -10.9-R2R (K-In6Rd)	6.000	ST
13	4.363-692.0	Grooved ring kpl. -nur fuer Ersatz-	1.000	ST
14	5.401-210.0	Screw connector part	1.000	ST
15	6.362-524.0	O-Ring seal 17,0 X 1,5	1.000	ST
17	2.880-990.0	Spare part set O-Ring 5x -Kaercher	1.000	ST
18	7.401-915.0	Sphere 2,5 G20 -1.4034 DIN 5401	1.000	ST



45 Nozzle

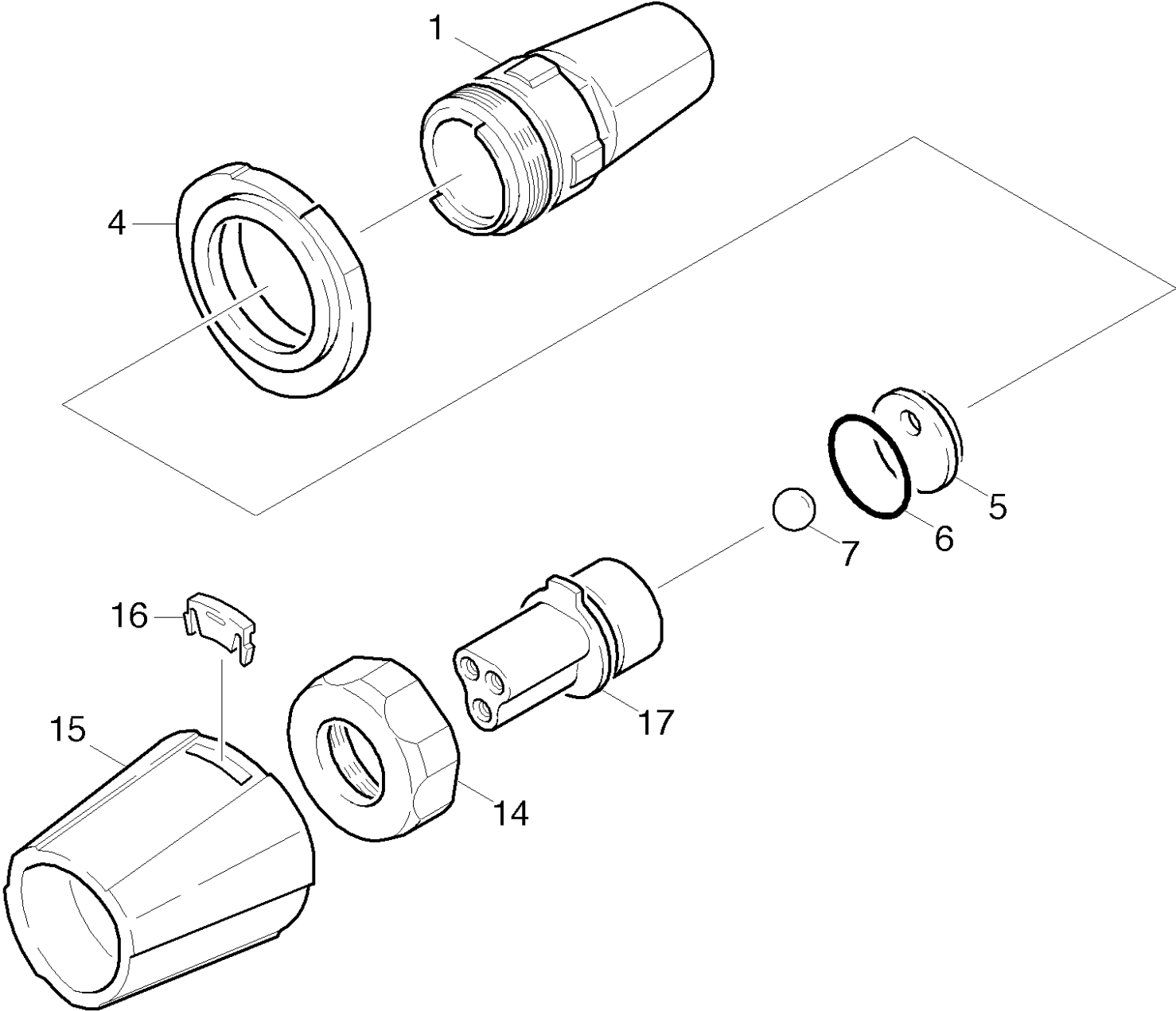
POS	Article no.	Description	Quantity	Unit
0	4.767-004.0	Triple jet nozzle with packing 05	1.000	ST
1	4.060-395.0	Housing complete only for replacement	1.000	ST
2	5.394-401.0	Protection part	1.000	ST
3	5.394-402.0	Protection part	1.000	ST
4	5.031-709.0	Moulded part	1.000	ST
5	5.311-192.0	Union nut	1.000	ST
6	4.764-141.0	Nozzle holder 05	1.000	ST
7	7.401-917.0	Sphere 10,0 G100-1.4301 DIN 5401	1.000	ST
8	6.362-831.0	O-Ring d. 22x2 NBR 90	1.000	ST
9	5.031-370.0	Moulded part	1.000	ST
10	5.031-597.0	Rectifier	2.000	ST

Triple jet nozzle with packing 05 (4.767-004.0)

POS	Article no.	Description	Quantity	Unit
2	5.958-516.0	Spare parts list triple jet nozzle	1.000	ST
Item text2: 47670040				

2 Spare parts list triple jet nozzle (5.958-516.0)

POS	Description	Quantity	Unit
10	Triple jet nozzle	1.000	ST



10 Triple jet nozzle

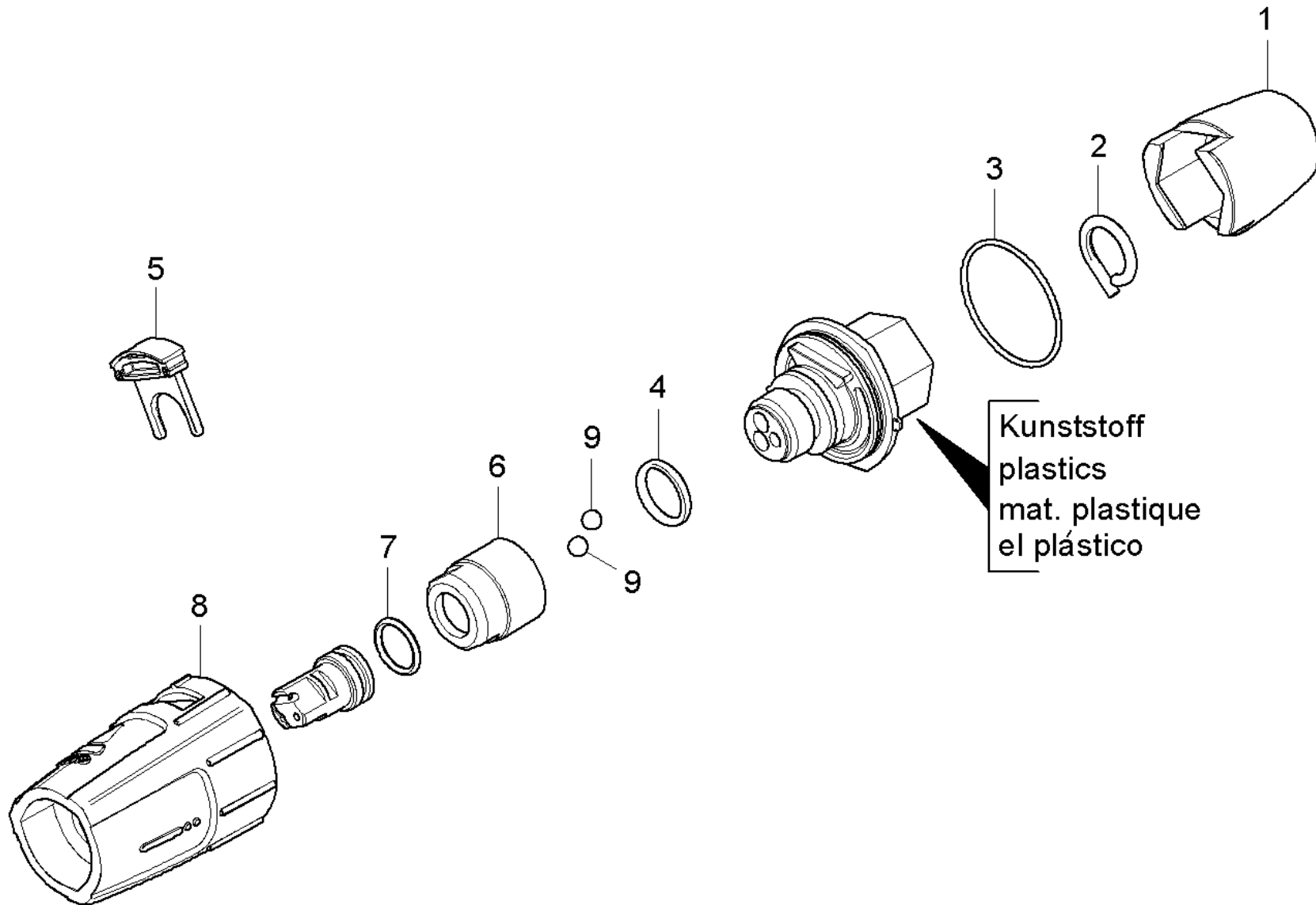
POS	Article no.	Description	Quantity	Unit
1	4.060-395.0	Housing complete only for replacement	1.000	ST
4	5.394-401.0	Protection part	1.000	ST
5	5.031-370.0	Moulded part	1.000	ST
6	6.362-831.0	O-Ring d. 22x2 NBR 90	1.000	ST
7	7.401-917.0	Sphere 10,0 G100-1.4301 DIN 5401	1.000	ST
14	5.311-192.0	Union nut	1.000	ST
15	5.394-402.0	Protection part	1.000	ST
16	5.031-709.0	Moulded part	1.000	ST
17	7.777-999.0	Stockpiling discontinued	1.000	ST
17	7.777-999.0	Stockpiling discontinued	1.000	ST
17	4.767-148.0	Triple jet nozzle replacement 036	1.000	ST
17	7.777-999.0	Stockpiling discontinued	1.000	ST
17	7.777-999.0	Stockpiling discontinued	1.000	ST
17	4.764-139.0	Nozzle holder only for replacement 045	1.000	ST
17	4.764-138.0	Nozzle holder only for replacement 034	1.000	ST
17	4.764-141.0	Nozzle holder 05	1.000	ST
17	4.764-148.0	Nozzle holder only for replacement 065	1.000	ST
17	4.767-015.0	Nozzle holder only for replacement 037	1.000	ST
17	4.767-148.0	Triple jet nozzle replacement 036	1.000	ST

17 Triple jet nozzle replacement 036 (4.767-148.0)

POS	Article no.	Description	Quantity	Unit
2	5.970-837.0	Spare parts list triple jet nozzle	1.000	ST

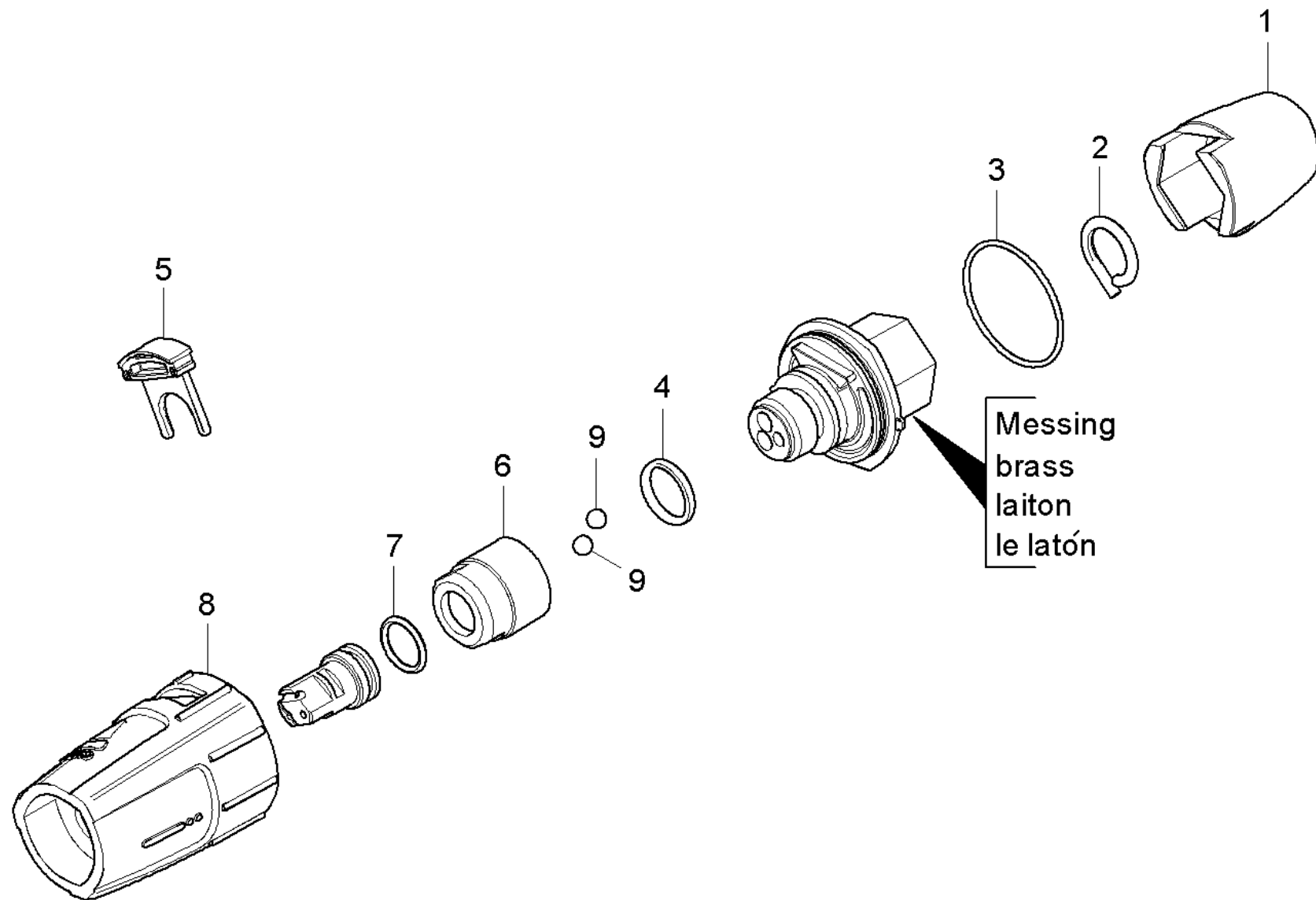
2 Spare parts list triple jet nozzle (5.970-837.0)

POS	Description	Quantity	Unit
10	Triple jet nozzle plastics	1.000	ST
20	Triple jet nozzle brass	1.000	ST



10 Triple jet nozzle plastics

POS	Article no.	Description	Quantity	Unit
1	5.394-530.0	Protection part complete	1.000	ST
2	6.343-150.0	Pin 03	1.000	ST
3	6.362-409.0	O-Ring seal 32,0 X 1,5	1.000	ST
4	7.362-039.0	O-Ring seal 15,5x1,5 -NBR70 DIN 3771	1.000	ST
5	5.321-884.0	Clamp	1.000	ST
6	5.311-236.0	Nut	1.000	ST
7	6.362-480.0	O-Ring seal 12,42x 1,78	1.000	ST
8	5.394-874.0	Protection part	1.000	ST
9	7.401-902.0	Sphere 5 G20 -1.4034 DIN 5401	2.000	ST



20 Triple jet nozzle brass

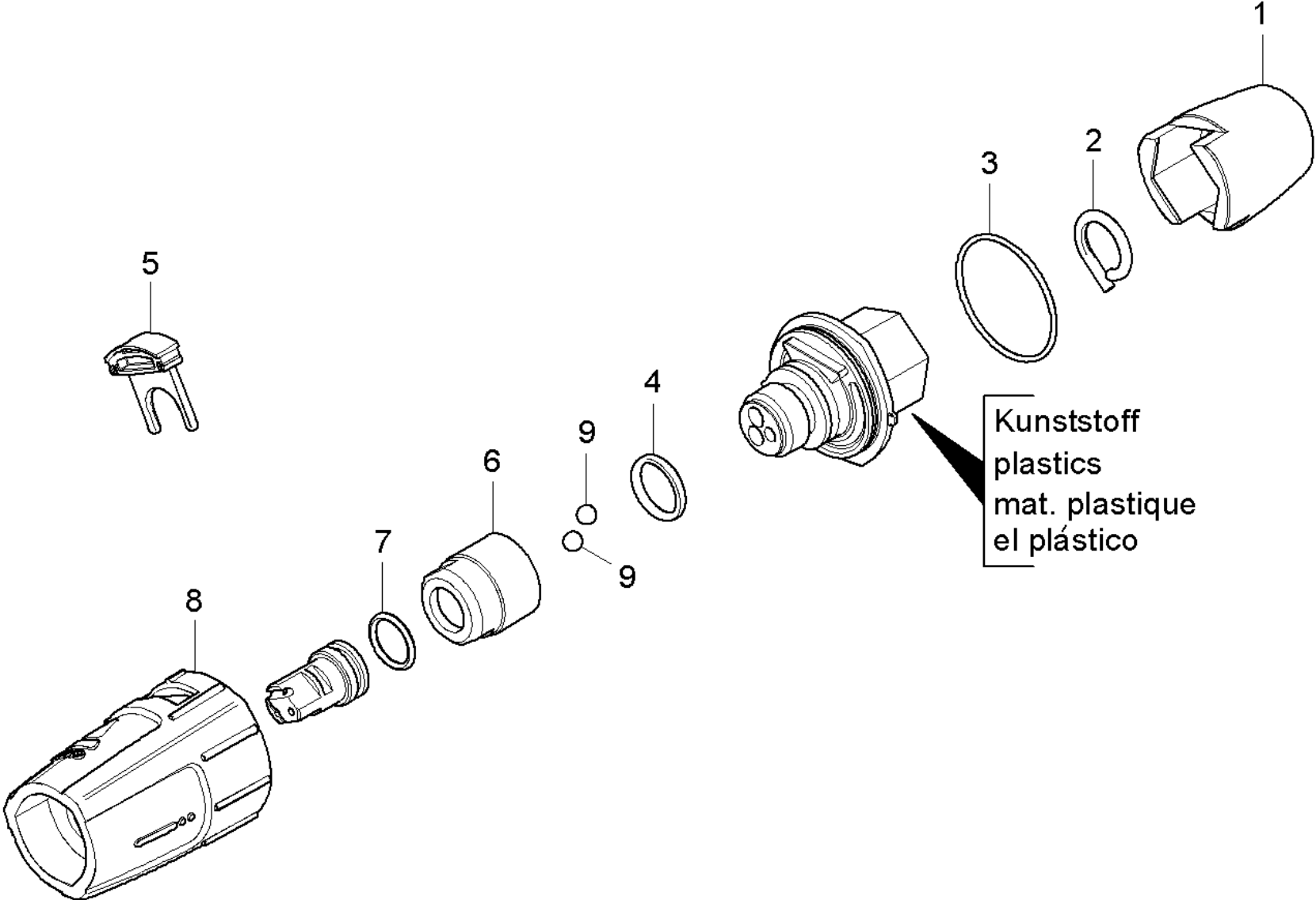
POS	Article no.	Description	Quantity	Unit
1	5.394-530.0	Protection part complete	1.000	ST
2	6.343-150.0	Pin 03	1.000	ST
3	6.362-409.0	O-Ring seal 32,0 X 1,5	1.000	ST
4	6.362-460.0	O-Ring seal 14,0 X 2,5-NBR 70	1.000	ST
5	5.321-884.0	Clamp	1.000	ST
6	5.311-225.0	Nut	1.000	ST
7	6.362-480.0	O-Ring seal 12,42x 1,78	1.000	ST
8	5.394-859.0	Protection part	1.000	ST
9	7.401-902.0	Sphere 5 G20 -1.4034 DIN 5401	2.000	ST

17 Triple jet nozzle replacement 036 (4.767-148.0)

POS	Article no.	Description	Quantity	Unit
2	5.970-837.0	Spare parts list triple jet nozzle	1.000	ST

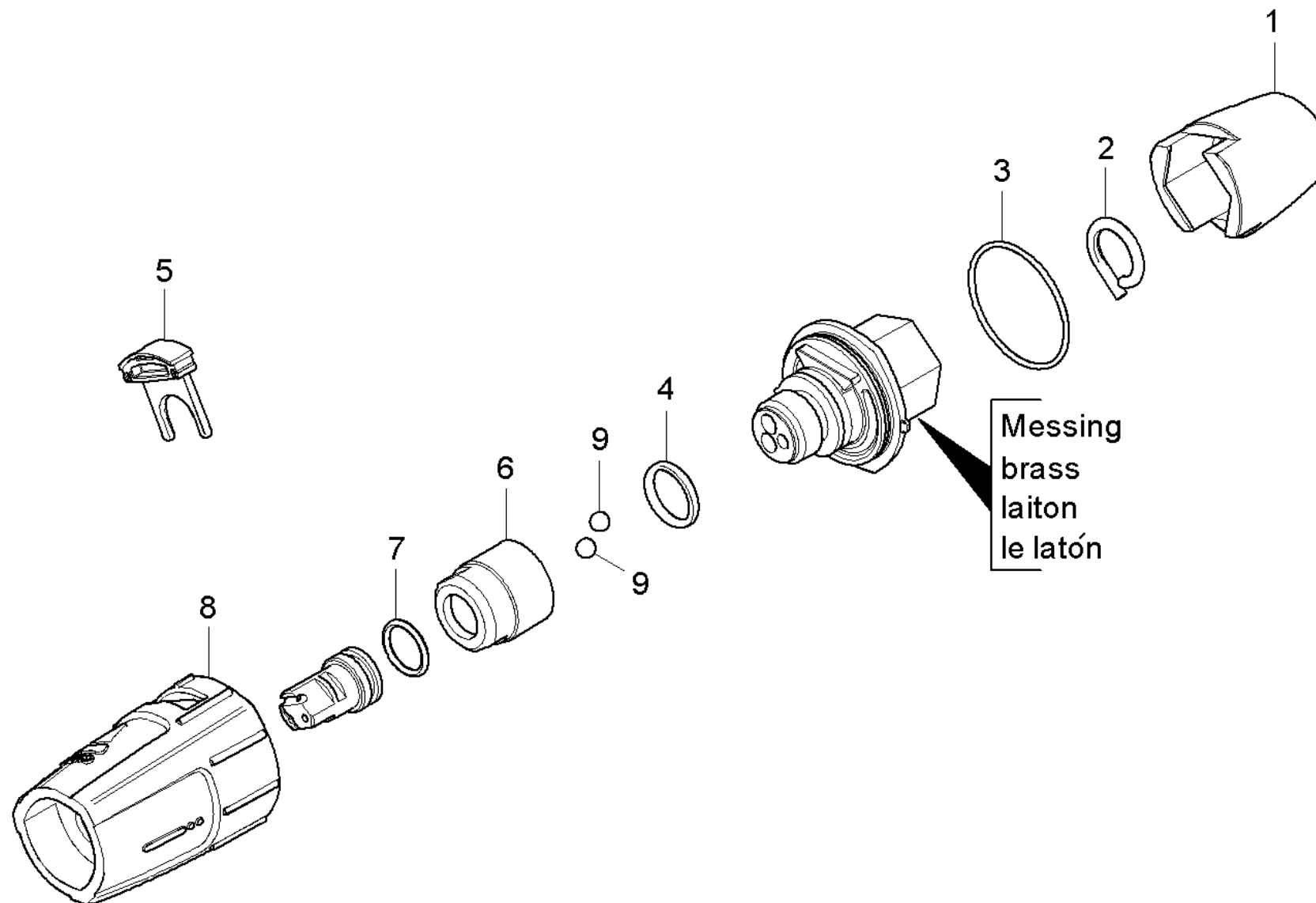
2 Spare parts list triple jet nozzle (5.970-837.0)

POS	Description	Quantity	Unit
10	Triple jet nozzle plastics	1.000	ST
20	Triple jet nozzle brass	1.000	ST



10 Triple jet nozzle plastics

POS	Article no.	Description	Quantity	Unit
1	5.394-530.0	Protection part complete	1.000	ST
2	6.343-150.0	Pin 03	1.000	ST
3	6.362-409.0	O-Ring seal 32,0 X 1,5	1.000	ST
4	7.362-039.0	O-Ring seal 15,5x1,5 -NBR70 DIN 3771	1.000	ST
5	5.321-884.0	Clamp	1.000	ST
6	5.311-236.0	Nut	1.000	ST
7	6.362-480.0	O-Ring seal 12,42x 1,78	1.000	ST
8	5.394-874.0	Protection part	1.000	ST
9	7.401-902.0	Sphere 5 G20 -1.4034 DIN 5401	2.000	ST



20 Triple jet nozzle brass

POS	Article no.	Description	Quantity	Unit
1	5.394-530.0	Protection part complete	1.000	ST
2	6.343-150.0	Pin 03	1.000	ST
3	6.362-409.0	O-Ring seal 32,0 X 1,5	1.000	ST
4	6.362-460.0	O-Ring seal 14,0 X 2,5-NBR 70	1.000	ST
5	5.321-884.0	Clamp	1.000	ST
6	5.311-225.0	Nut	1.000	ST
7	6.362-480.0	O-Ring seal 12,42x 1,78	1.000	ST
8	5.394-859.0	Protection part	1.000	ST
9	7.401-902.0	Sphere 5 G20 -1.4034 DIN 5401	2.000	ST