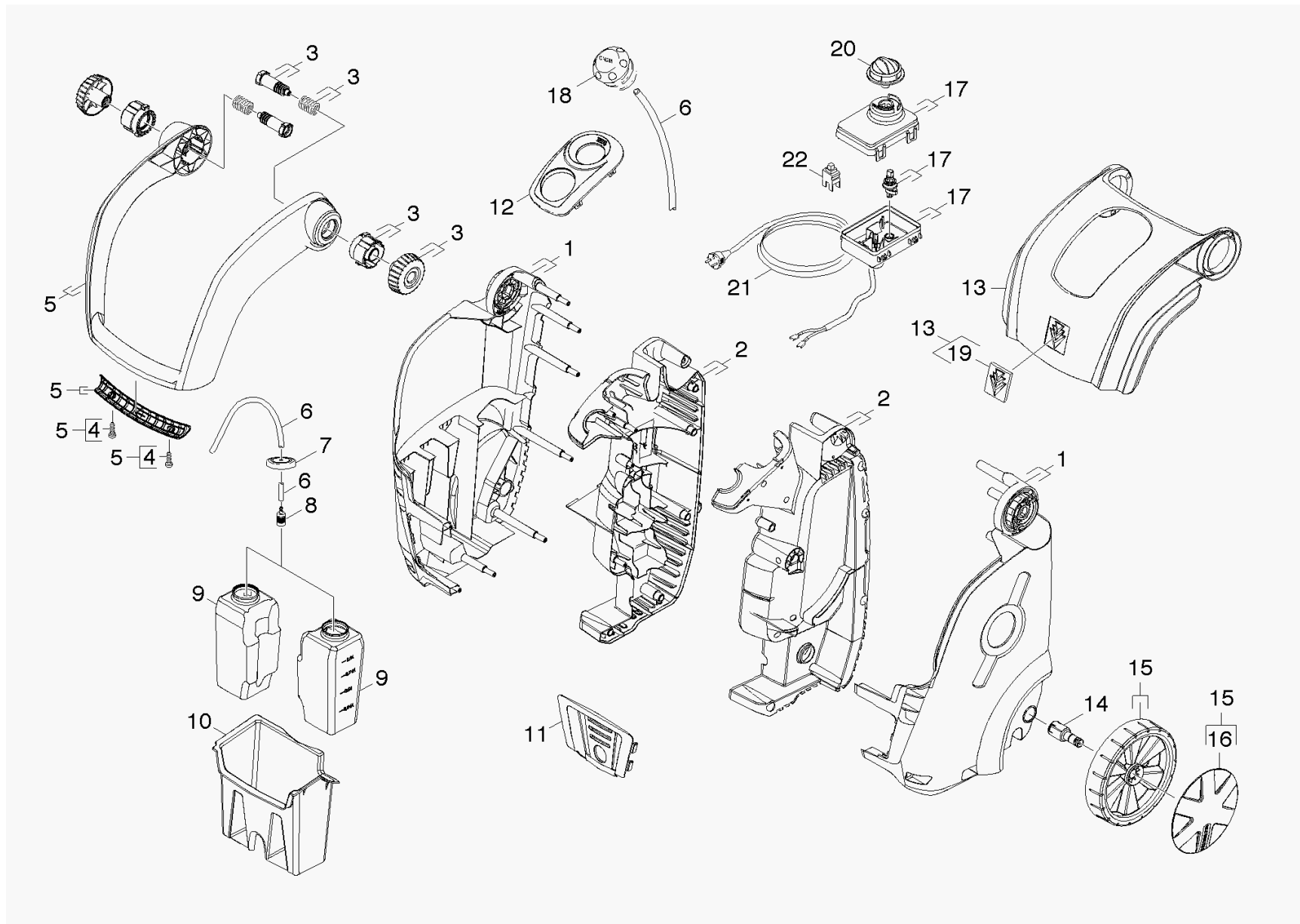


## 11 Housing

Overview technical documents/Home & Garden/High pressure cleaner cold water/Electric motor/K 5/K 5.96 Plus M \*EU (1.630-500.0)/Spare parts list K 5.96/10 Housing/11 Housing



## 11 Housing

Overview technical documents/Home & Garden/High pressure cleaner cold water/Electric motor/K 5/K 5.96 Plus M \*EU (1.630-500.0)/Spare parts list K 5.96/10 Housing/11 Housing

Rez.daļas/nodil.pakļ.daļas	Poz.	Materiāla Nr.	Nosaukums	Daudzums	Pārdoš. vienība	no sēr. Nr..	līdz sēr. Nr.
X-X	4	9.086-173.0	Skrūve Hi-Lo d.4x22 Torx-d.7,5	2.000	ST	0000000000	0000000000
X	22	9.085-031.0	Divpolu slēdzis	1.000	ST	0000000000	0000000000
	21	9.084-181.0	Cable with plug	1.000	ST	0000000000	0000000000
Pozīcijas teksts: 1.630-502.0							
	21	9.084-155.0	Cable with plug *EU K496/596	1.000	ST	0000000000	0000000000
	12	9.037-107.0	Switch faceplate K5	1.000	ST	0000000000	0000000000
	9	9.037-105.0	Tank	1.000	ST	0000000000	0000000000
	14	9.037-103.0	Ass	2.000	ST	0000000000	0000000000
	10	9.037-092.0	Holder tank	1.000	ST	0000000000	0000000000
	20	9.037-011.0	Handle	1.000	ST	0000000000	0000000000
	19	9.036-941.0	Label FIRMENLOGO	1.000	ST	0000000000	0000000000
	17	9.001-349.0	Electric box complete	1.000	ST	0000000000	0000000000
	11	9.001-347.0	Covering cap	1.000	ST	0000000000	0000000000
	1	9.001-346.0	Housing complete	1.000	ST	0000000000	0000000000
	13	9.001-345.0	Cover complete	1.000	ST	0000000000	0000000000
	5	9.001-344.0	Tvereklis, pilns komplekts	1.000	ST	0000000000	0000000000
	2	9.001-343.0	Housing complete	1.000	ST	0000000000	0000000000
	3	9.001-341.0	Turning knob complete	2.000	ST	0000000000	0000000000
	7	6.412-057.0	Cap of a tank with valve	1.000	ST	0000000000	0000000000
	6	6.388-216.0	Šļūtene DN 5	1.000	M	0000000000	0000000000
X	8	5.731-652.0	Filtrs ar atsvariņu	1.000	ST	0000000000	0000000000
X	18	4.580-000.0	Proportioning valve chemi	1.000	ST	0000000000	0000000000
	16	2.884-861.0	Spare part set wheel cap	1.000	ST	0000000000	0000000000
	15	2.884-860.0	Spare part set wheel	1.000	ST	0000000000	0000000000