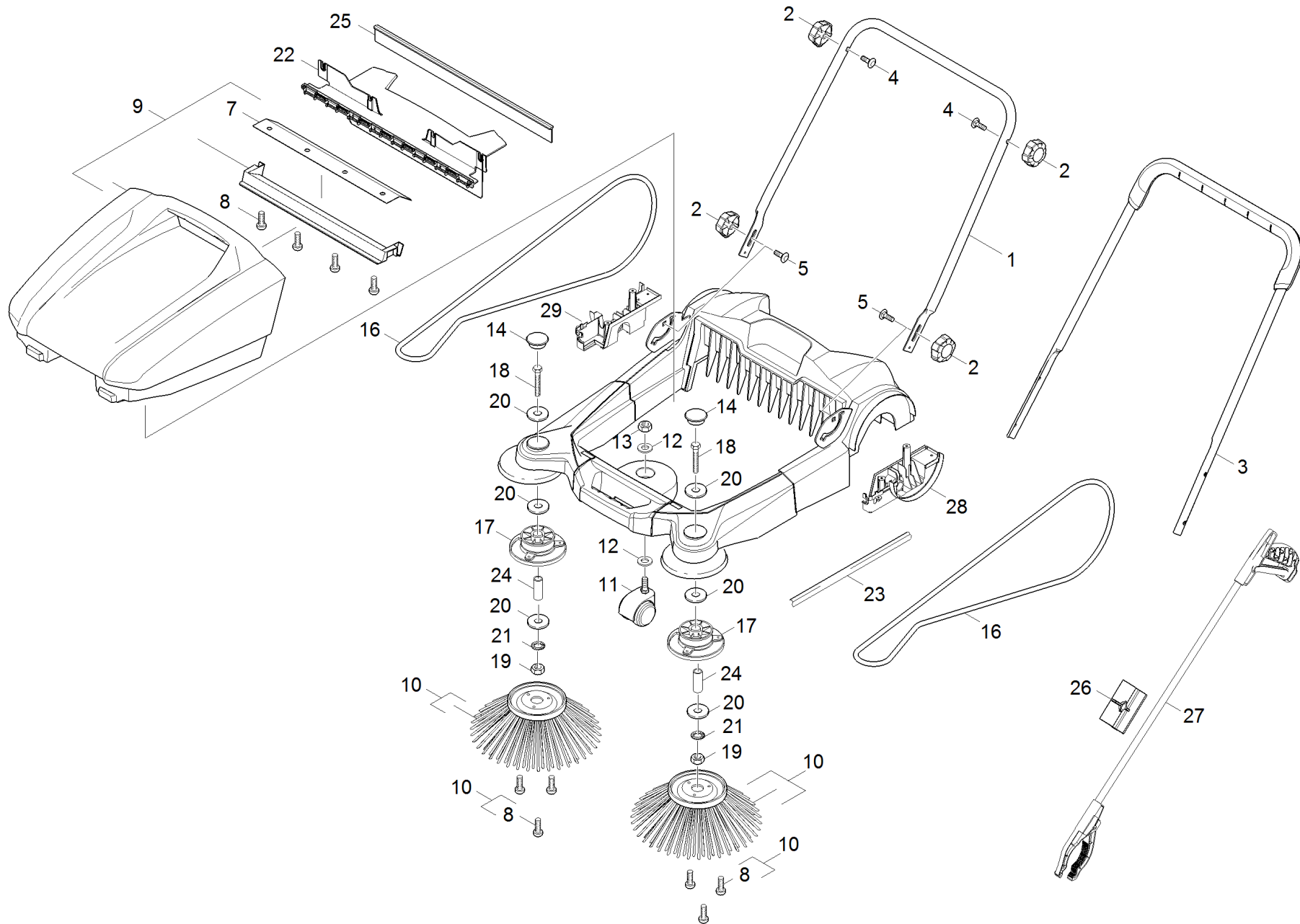


# 10 Individual parts

Home and Garden \ Sweepers \ Manually operated \ S 650 Plus \ Spare parts list S 650 Plus \ Individual parts



## 10 Individual parts

Home and Garden \ Sweepers \ Manually operated \ S 650 Plus \ Spare parts list S 650 Plus \ Individual parts

**KÄRCHER**

POS	Article no.	Description	Quantity	Unit
28	5.032-977.0	Axle drum left	1	PC
29	5.032-979.0	Axle drum right	1	PC
17	5.032-981.0	Belt pulley for side broom	2	PC
14	6.387-996.0	Cap	2	PC
11	6.435-130.0	Castor D 50 mm	1	PC
26	5.034-197.0	Fastening clip	1	PC
27	6.370-012.0	Gripper	1	PC
7	5.032-984.0	Ground lip	1	PC
2	5.321-800.0	Handle	4	PC
18	7.304-031.0	Hexagonal head screw M8x55-8.8-A2E ISO 4014	2	PC
19	7.311-004.0	Hexagon nut M8 -8-A3E ISO 4032	2	PC
13	7.311-202.0	Hexagon nut M10-04-A2E ISO 4035	1	PC
22	5.057-950.0	Holder for rear skirting	1	PC
25	5.032-980.0	Rear skirting	1	PC
16	6.363-012.0	Round belt EPDM	1	PC
5	6.303-498.0	Saucer-head screw M8x25	2	PC
4	7.303-008.0	Saucer-head screw M8x35 -St-A0P DIN 603	2	PC
8	7.303-106.0	Screw 4x12 -10.9-R2R (IN6RD)	10	PC
23	6.365-025.0	Sealing profile 5,5x9	1	m
21	7.312-233.0	Serrated lock washer A8,4-FSt-A3E DIN67	2	PC
3	4.034-145.0	Shearing shackle long complete S 650	1	PC
1	4.034-143.0	Shearing shackle short	1	PC
10	2.884-971.0	Spare parts set side broom	2	PC
9	2.884-970.0	Spare parts set sweep tank neutrally	1	PC
24	5.129-091.0	Tube for side broom	2	PC
20	7.312-004.0	Washer 8 -200HV-A3E ISO 7089	6	PC
12	7.312-285.0	Washer 10-200HV-A2E ISO 7093-1	2	PC