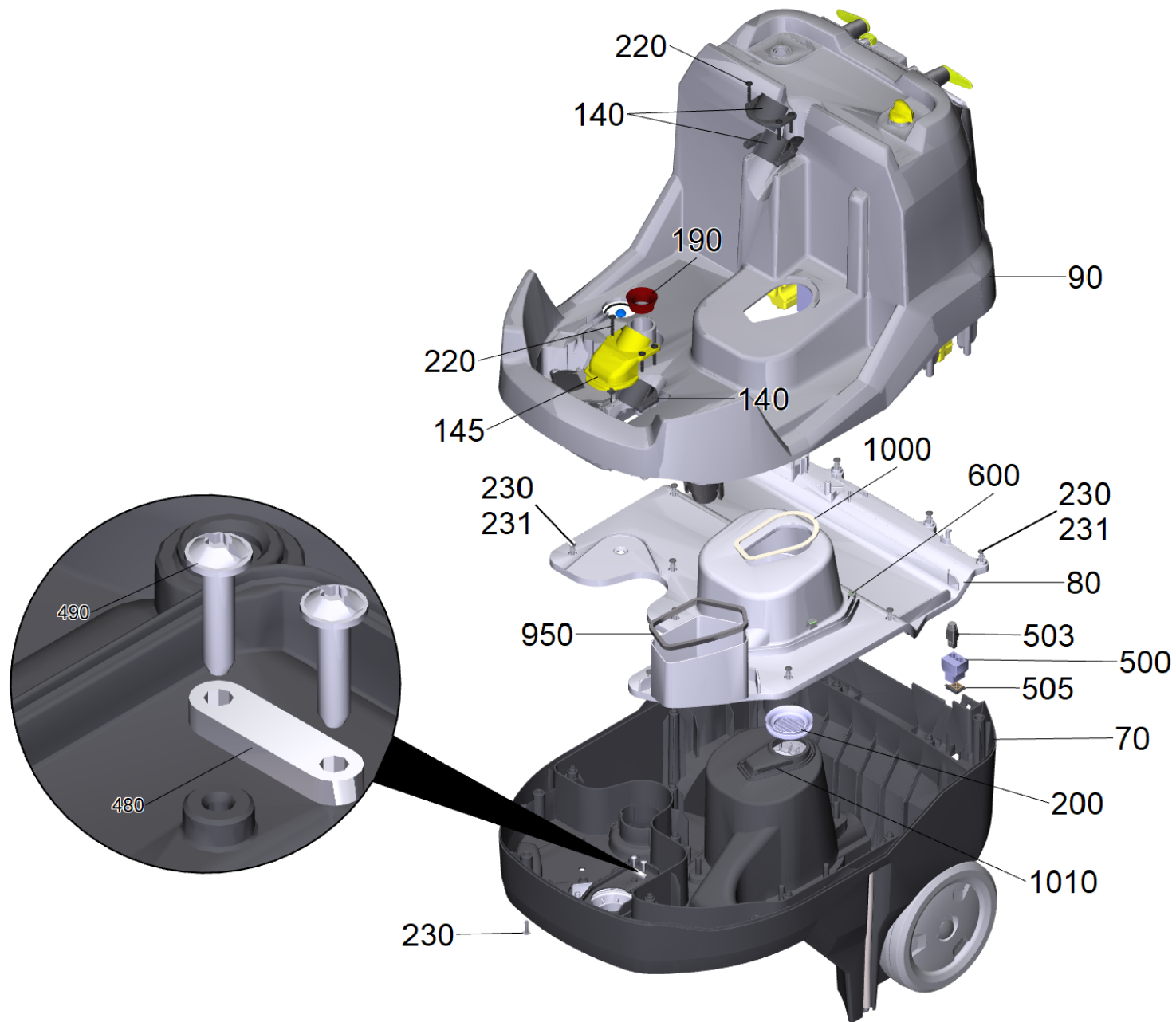


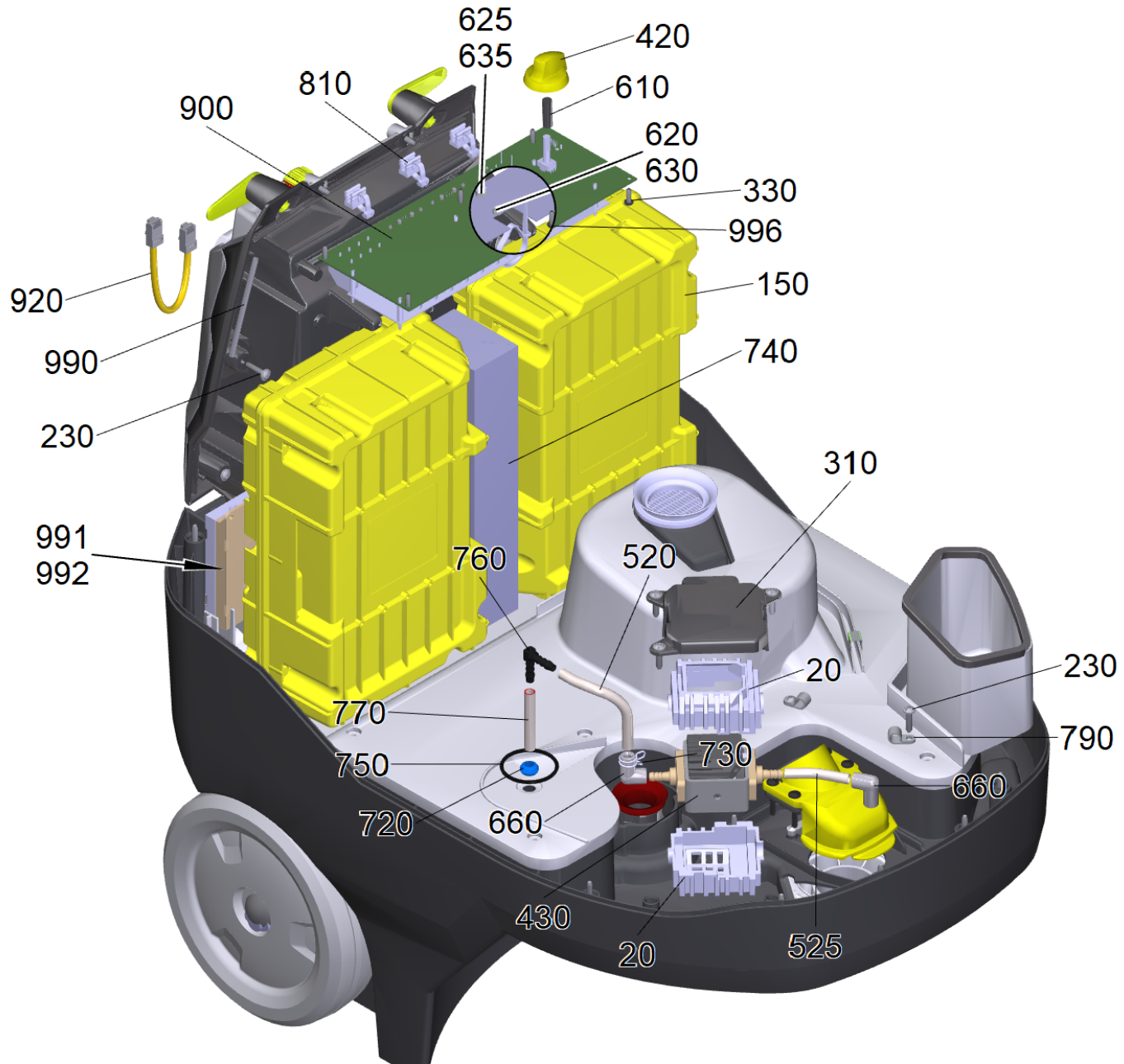
Spare parts list

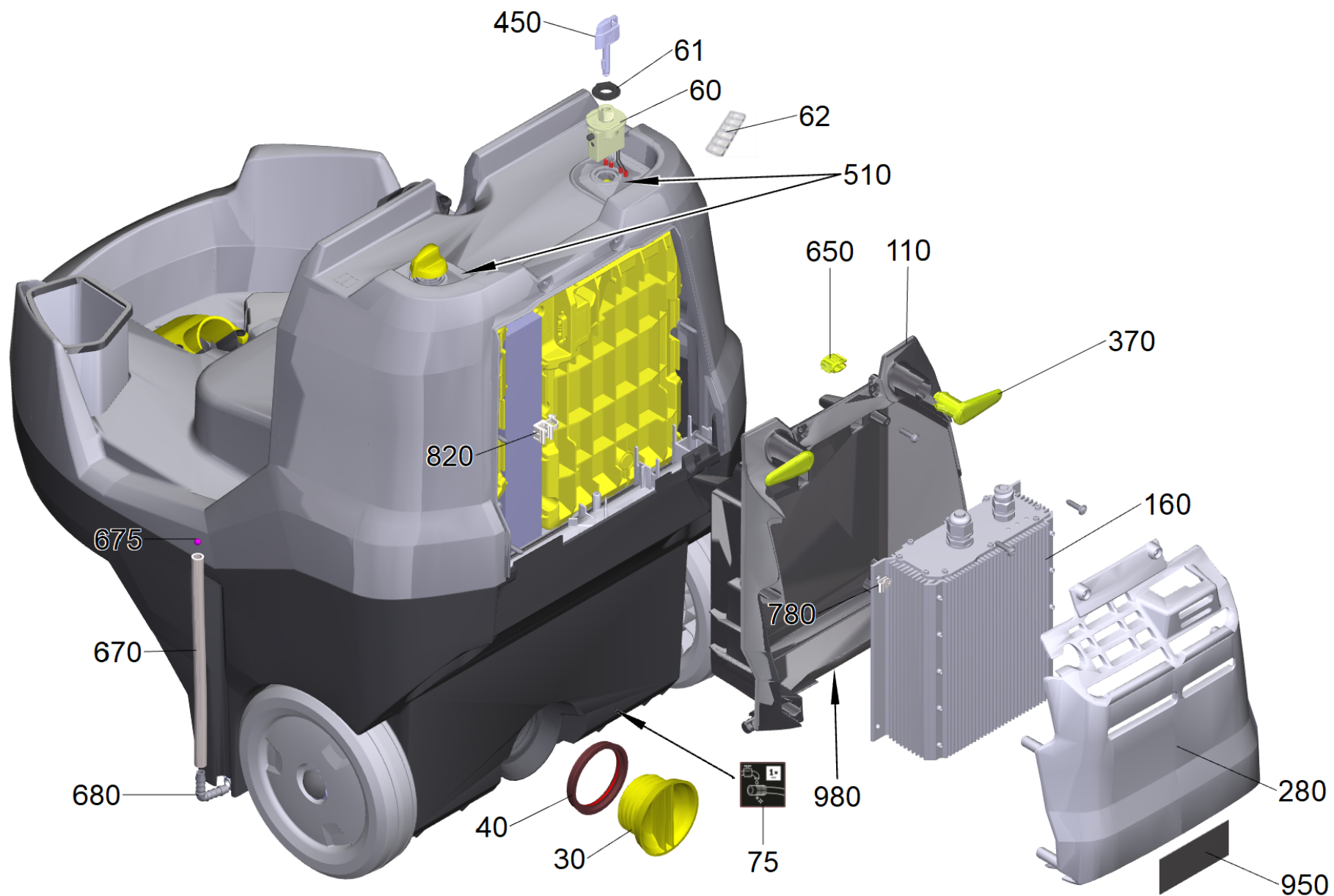
Chassis complete

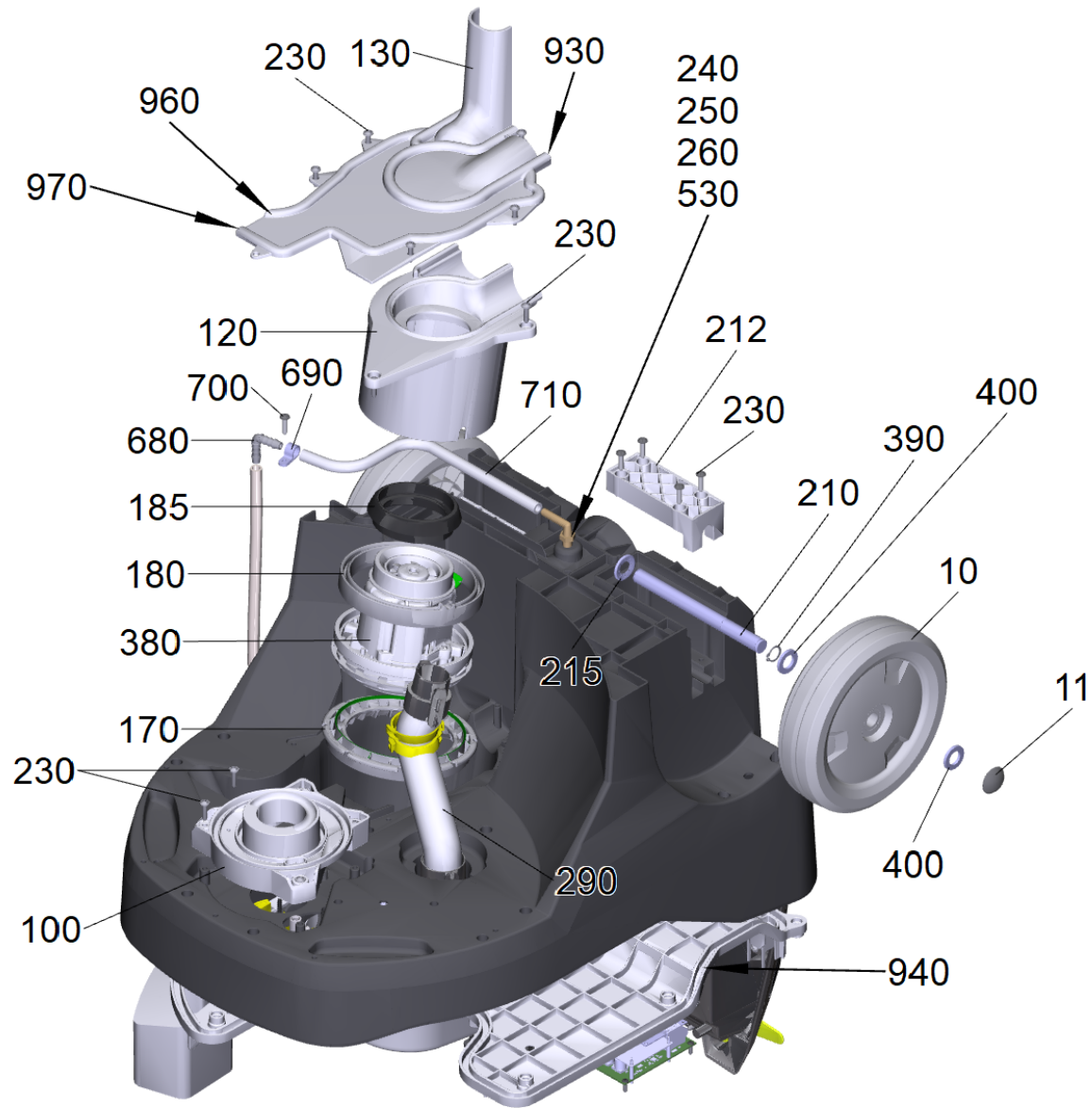
Table of contents

20 Chassis complete	3
60 Key switch (6.630-106.0)	11
80 Fresh water tank top part mit Dichtung (5.037-414.0)	13
290 Suction hose complete (4.037-098.0)	14
290 Suction hose cpl. PU (4.037-178.0)	16
450 Key complete key switch (4.037-142.0)	18
910 Cable harness BR 45/22 C (4.823-086.0)	20
910 Cable harness BR 45/22 C	23
991 KEM Machine Connect B 110 R *EU (2.644-213.0)	26
10 Kaercher Fleet services B110R (2.644-213.7)	27









20 Chassis complete

POS	Article no.	Description	Quantity	Unit	Foot note text
910		Cable harness BR 45/22 C	1	PC	VERSION 2
991	2.644-213.0	KEM Machine Connect B 110 R *EU	1	PC	
150	2.654-002.0	Traction battery replacement LIB 24V/20Ah 7s7p	2	PC	
20	4.035-599.0	Bearing pump	1	PC	VERSION 2
290	4.037-098.0	Suction hose complete	1	PC	
450	4.037-142.0	Key complete key switch	1	PC	VERSION 2
290	4.037-178.0	Suction hose cpl. PU	1	PC	
900	4.683-052.0	Control system BR45/22 C	1	PC	
992	4.822-971.0	Cable harness fleet management module BR	1	PC	
910	4.823-086.0	Cable harness BR 45/22 C	1	PC	VERSION 1
400	5.010-977.0	Sheet metal ring	4	PC	
505	5.033-829.0	Rubber stopper control panel	1	PC	
650	5.033-928.0	Plug fixing RAL 1018	1	PC	
120	5.034-032.0	Air circulation turbine bottom	1	PC	
130	5.035-206.0	Covering cap turbine	1	PC	
998	5.035-228.0	Rating plate GPRS Modul TCU NA	1	PC	
180	5.035-332.0	Joint ring turbine	1	PC	
420	5.035-437.0	Rotary controller	1	PC	
110	5.037-010.0	Covering cap battery charger	1	PC	
280	5.037-011.0	Covering cap battery charger rear	1	PC	
145	5.037-015.0	Covering cap joint	1	PC	
100	5.037-285.0	Bearing brush-head	1	PC	
140	5.037-289.0	Half shell bearing operating unit	3	PC	
310	5.037-307.0	Cover pump	1	PC	VERSION 1
510	5.037-351.0	Label	1	PC	
70	5.037-375.0	Fresh water tank bottom part	1	PC	
90	5.037-377.0	Covering cap appliance	1	PC	
210	5.037-379.0	Axle wheels	2	PC	
80	5.037-414.0	Fresh water tank top part mit Dichtung	1	PC	
212	5.037-415.0	Fixing axle	2	PC	
740	5.037-451.0	Distance holder battery	1	PC	
930	5.037-464.0	Form seal	1	PC	
940	5.037-465.0	Form seal	1	PC	

20 Chassis complete

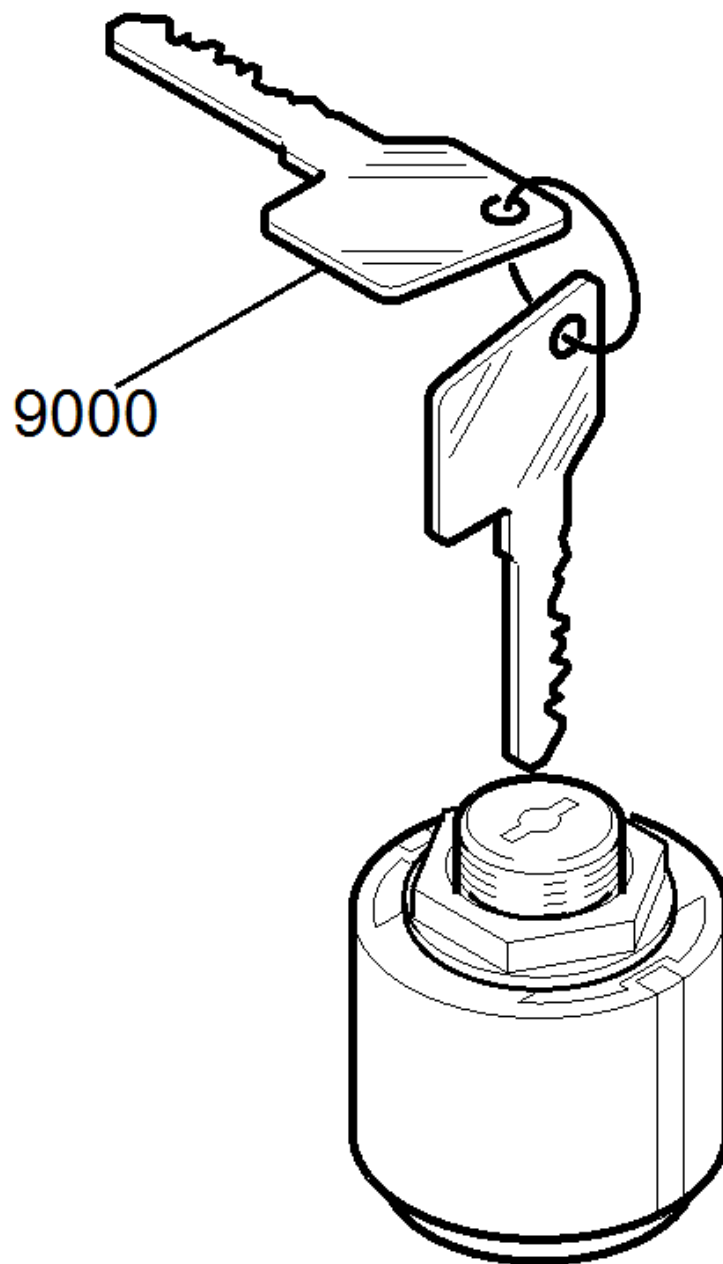
POS	Article no.	Description	Quantity	Unit	Foot note text
980	5.037-469.0	Seal	1	PC	QUANTITY ACCORDING TO DEMAND
1000	5.037-489.0	Seal Chassis	1	PC	
310	5.037-867.0	Cover plate pump	1	PC	VERSION 2
370	5.044-661.0	Catch for cable yellow	2	PC	
20	5.050-408.0	Bearing pump	2	PC	VERSION 1
660	5.050-411.0	Angle bushing water distribution	2	PC	
190	5.050-415.0	Joint ring	1	PC	
30	5.064-048.0	Cover water filter	1	PC	
170	5.195-568.0	Bearing DS 6	1	PC	
40	5.363-003.0	Seal water filter	1	PC	
185	5.363-034.0	Seal	1	PC	
200	5.363-442.0	Joint ring	1	PC	
75	5.423-599.0	Label fresh water tank strainer	1	PC	
61	5.641-008.0	Nut with shaft M16x1.5	1	PC	
530	5.731-664.0	Filter with weight	1	PC	
675	6.035-072.0	Sphere level indicator D6	1	PC	
810	6.037-000.0	Cable tie with Kantenbefestigung	3	PC	
820	6.037-001.0	Cable tie with Kantenbefestigung	1	PC	
780	6.037-003.0	Mounting clip	1	PC	
60	6.037-143.0	Key switch bottom part complete Reed	1	PC	VERSION 2
750	6.273-037.0	Seal string cellular rubber 3	0,27	m	
950	6.273-044.0	Sealing profile	1	m	TO ORDER AS CUT GOODS
990	6.273-070.0	Seal string cellular rubber 4	1	m	
1010	6.273-070.0	Seal string cellular rubber 4	1	m	TO ORDER AS CUT GOODS
960	6.273-268.0	Seal cellular rubber	1	m	TO ORDER AS CUT GOODS
970	6.273-268.0	Seal cellular rubber	1	m	TO ORDER AS CUT GOODS
500	6.330-111.0	Adapter RJ45 Y-Splitter	1	PC	
620	6.343-040.0	Lock washer for M4	1	PC	
625	6.343-126.0	Lock washer	1	PC	
215	6.343-189.0	Quick-fastener	2	PC	
11	6.343-240.0	Lock washer	2	PC	
790	6.373-670.0	Pipe clamp	2	PC	
600	6.373-862.0	U-Fastening	4	PC	

20 Chassis complete

POS	Article no.	Description	Quantity	Unit	Foot note text
690	6.373-877.0	Hose clip	2	PC	
760	6.386-575.0	Elbow screw connector	1	PC	
520	6.388-216.0	Hose DN 5 (PVC)	3	m	TO ORDER AS CUT GOODS
525	6.388-216.0	Hose DN 5 (PVC)	1	m	TO ORDER AS CUT GOODS
770	6.388-216.0	Hose DN 5 (PVC)	1	m	TO ORDER AS CUT GOODS
240	6.388-428.0	Angle bushing	1	PC	
730	6.388-559.0	Hose clip	1	PC	
610	6.388-958.0	Hose	1	m	TO ORDER AS CUT GOODS
670	6.390-509.0	Hose PVC	1	m	TO ORDER AS CUT GOODS
710	6.390-509.0	Hose PVC	1	m	TO ORDER AS CUT GOODS
680	6.391-913.0	Elbow nipple	1	PC	
10	6.435-412.0	Wheel D 200	2	PC	
	Item text1: replaced by 6.435-563.0				
10	6.435-563.0	Wheel plain bearing D 200	2	PC	
	Item text1: successor of 6.435-412.0				
635	6.444-955.0	Nut	1	PC	
	Item text1: replaced by 7.311-002.0				
430	6.473-011.0	Pump 24V BR45/22	1	PC	VERSION 1 WITH CABLE
430	6.473-063.0	Vibrating piston pump 24V/50Hz	1	PC	VERSION 2 WITHOUT CABLE
380	6.490-312.0	Blower motor 24V	1	PC	
	Item text1: replaced by 6.490-401.0				
380	6.490-401.0	Turbine 1-level 24V 250W	1	PC	
	Item text1: successor of 6.490-312.0				
450	6.600-210.0	Key only for replacement	1	PC	VERSION 1
60	6.630-106.0	Key switch	1	PC	VERSION 1
995	6.640-225.0	Ferrite ring	1	PC	
503	6.640-751.0	Adapter plug at the Y CAN	1	PC	
996	6.641-458.0	Cable tape nature 4,6x150mm	1	PC	
720	6.641-874.0	Wire protecting sleeve D7	1	PC	
62	6.643-556.0	Terminal clamp	1	PC	
480	6.647-513.0	Strain relief	1	ZST	
160	6.654-345.0	Battery charger 300W EU	1	PC	
	Item text1: replaced by 6.654-497.0				

20 Chassis complete

POS	Article no.	Description	Quantity	Unit	Foot note text
160	6.654-497.0	BC onb 29V/10A 220-240V/50-60Hz	1	PC	
	Item text1: successor of 6.654-345.0				
920	6.882-001.0	Cable yellow Patch 0,5m	1	PC	
490	7.303-026.0	Screw 4x16-A2-70 (K-In6Rd)	2	PC	
220	7.303-086.0	Screw 5x30-10.9-R2R (K-In6Rd)	8	PC	
330	7.303-095.0	Screw 4x12-ST-10.9-R2R (IN6RD)	6	PC	
230	7.303-108.0	Screw 5x20-10.9-R2R (In6Rd)	63	PC	
700	7.303-212.0	Screw 5x20-A2-70 (K-In6Rd)	2	PC	
630	7.311-001.0	Hexagon nut M4 -6-A2E ISO 4032	1	PC	
635	7.311-002.0	Hexagon nut M5 -6-A2E ISO 4032	1	PC	
250	7.311-079.0	Hexagon nut M10x1 -A4-035 ISO 8675	1	PC	
231	7.312-100.0	Washer 4 -Kunststoff ISO 7089	11	PC	
390	7.343-015.0	Locking ring 15x1-FST-RF DIN 471	2	PC	
260	7.362-501.0	O-Ring seal 10x2 EPDM 70 DIN 3770	1	PC	

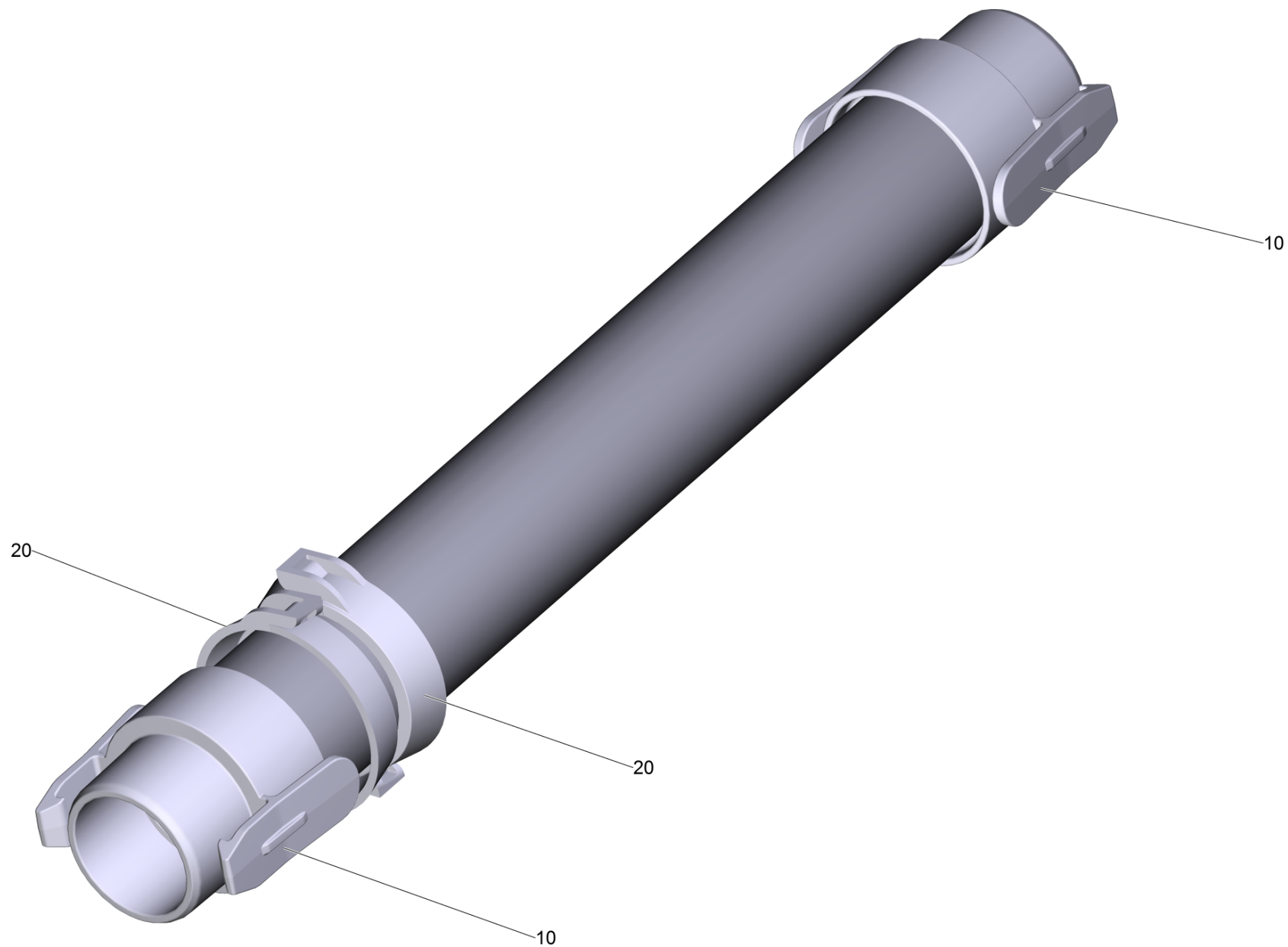


60 Key switch (6.630-106.0)

POS	Article no.	Description	Quantity	Unit
9000	6.600-210.0	Key only for replacement	1	PC

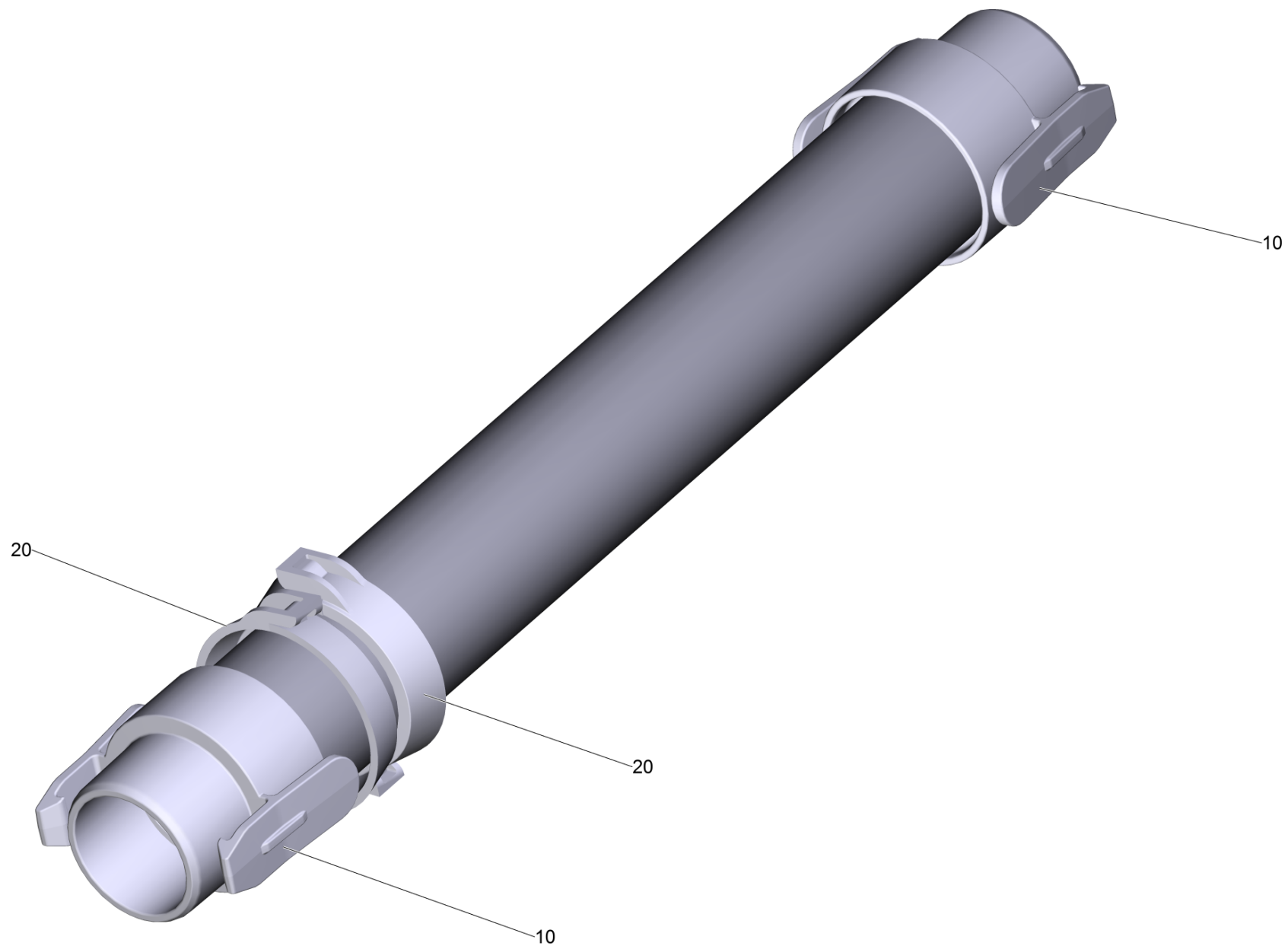
80 Fresh water tank top part mit Dichtung (5.037-414.0)

POS	Article no.	Description	Quantity	Unit
20	5.037-465.0	Form seal	1	PC



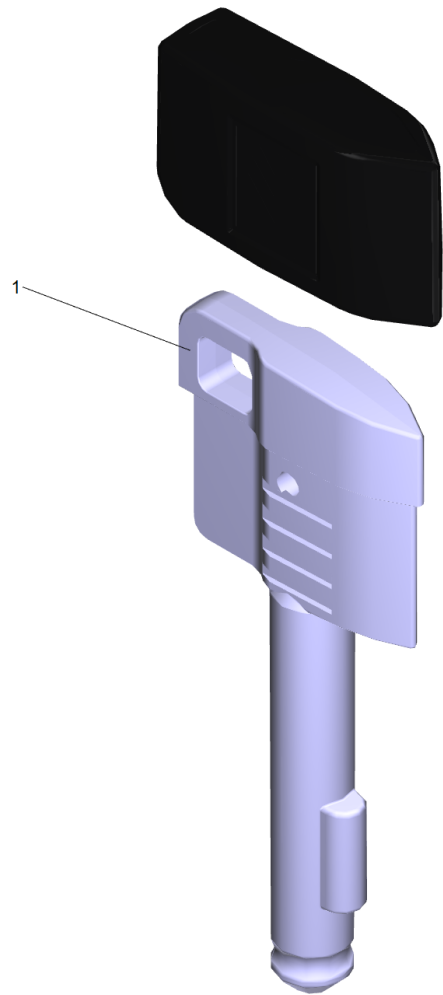
290 Suction hose complete (4.037-098.0)

POS	Article no.	Description	Quantity	Unit
10	5.037-326.0	Sleeve suction hose	2	PC
20	5.037-349.0	Hose hanger	2	PC



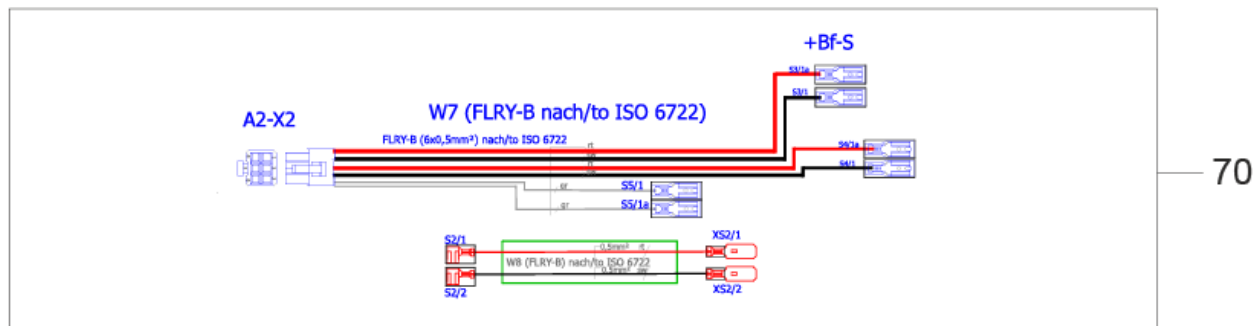
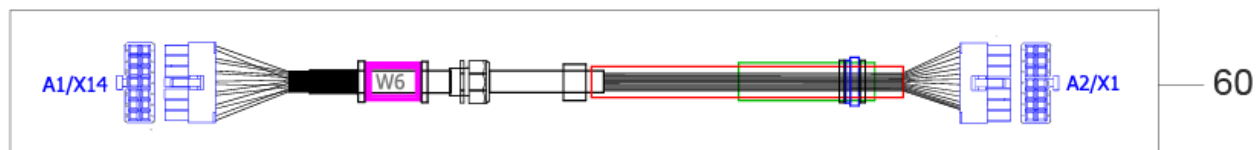
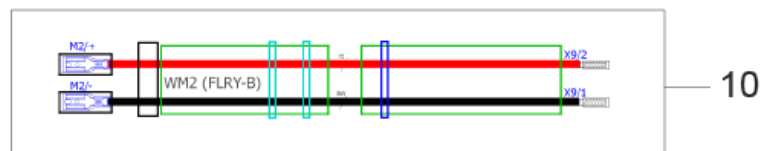
290 Suction hose cpl. PU (4.037-178.0)

POS	Article no.	Description	Quantity	Unit
10	5.037-326.0	Sleeve suction hose	2	PC
20	5.037-349.0	Hose hanger	2	PC



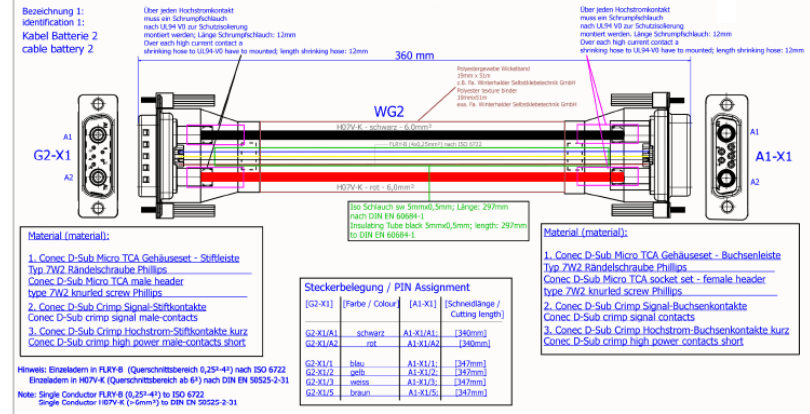
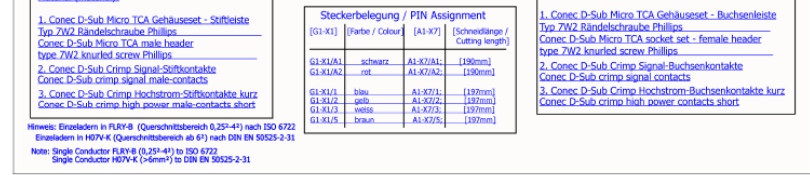
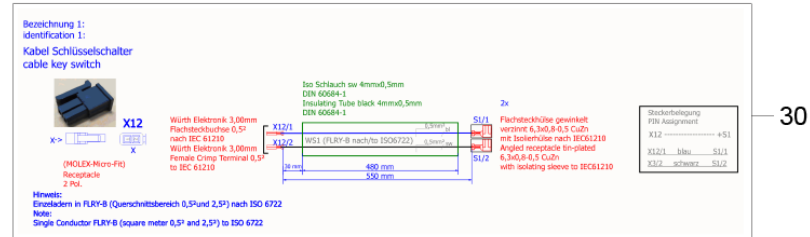
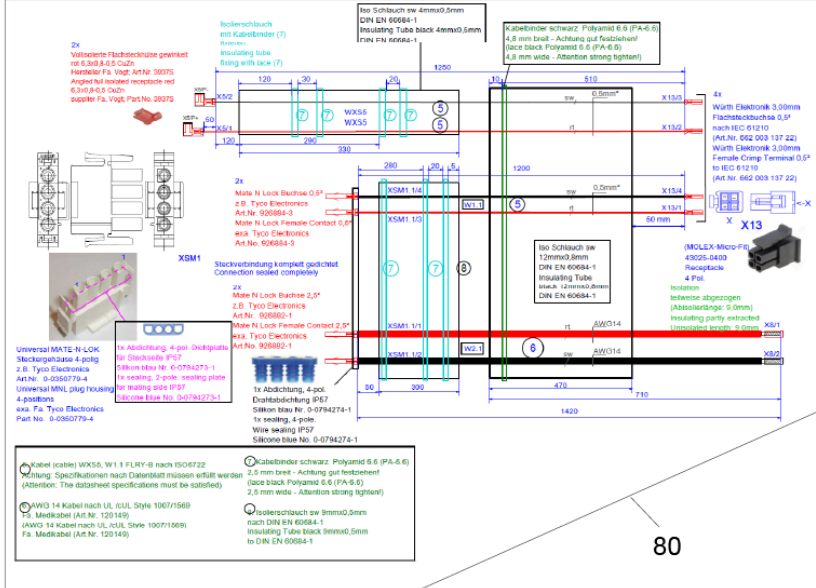
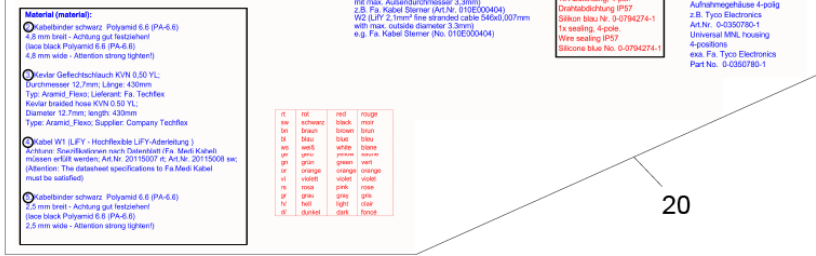
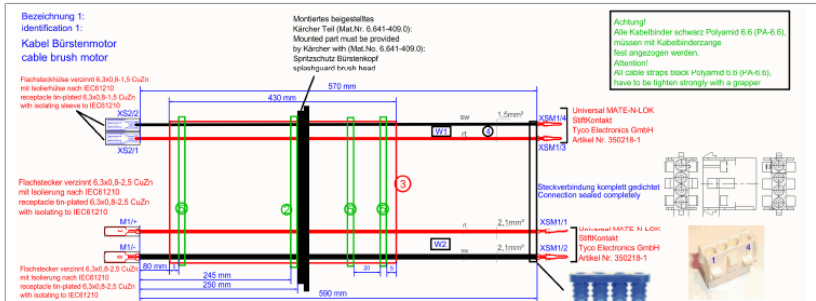
450 Key complete key switch (4.037-142.0)

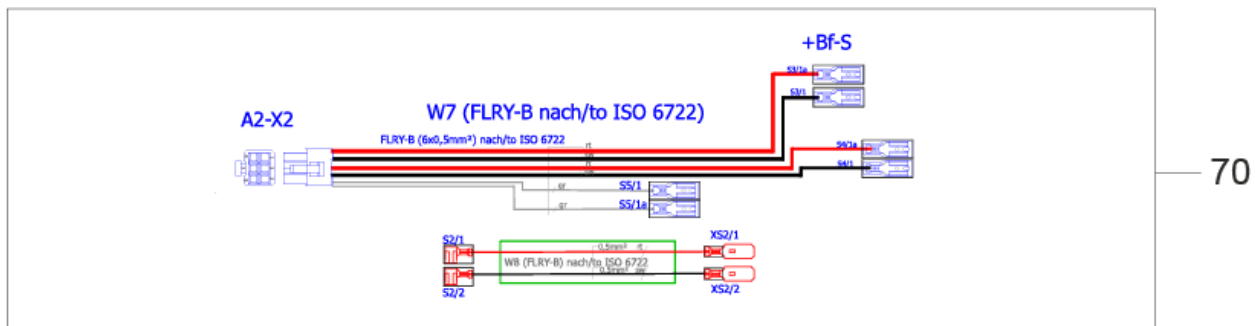
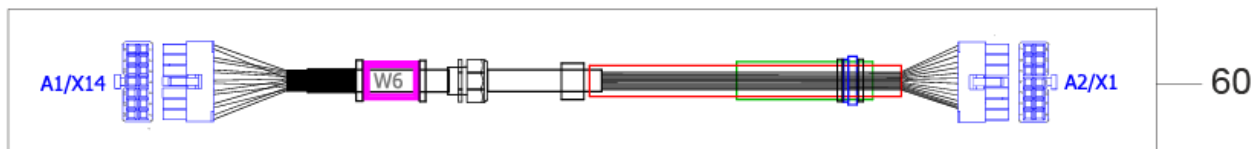
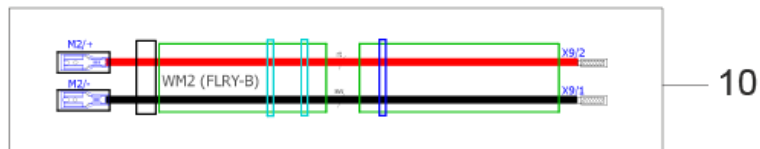
POS	Article no.	Description	Quantity	Unit
1	5.037-925.0	Key alu key switch	1	PC



910 Cable harness BR 45/22 C (4.823-086.0)

POS	Article no.	Description	Quantity	Unit
10	6.683-525.0	Cable vacuum motor BR45/22 C	1	PC
30	6.683-668.0	Cable key switch	1	PC
40	6.683-669.0	Cable battery 1	1	PC
50	6.683-670.0	Cable battery 2	1	PC
60	6.683-671.0	Cable operating element	1	PC
70	6.683-672.0	Cable operating element switch	1	PC
20	6.683-819.0	Cable brush motor	1	PC
80	6.683-853.0	Cable	1	PC



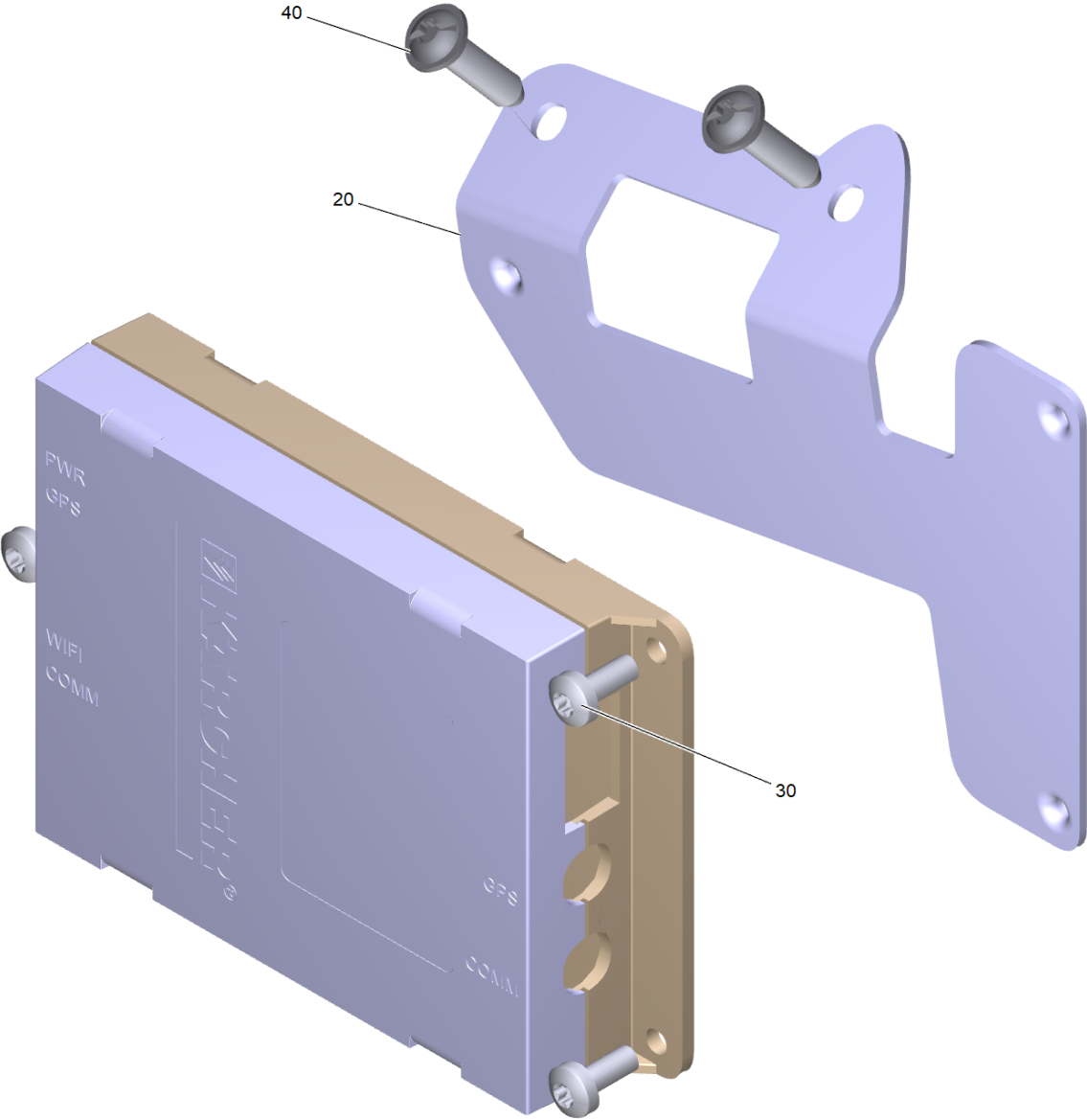


910 Cable harness BR 45/22 C

POS	Article no.	Description	Quantity	Unit
10	6.683-525.0	Cable vacuum motor BR45/22 C	1	PC
30	6.683-668.0	Cable key switch	1	PC
40	6.683-669.0	Cable battery 1	1	PC
50	6.683-670.0	Cable battery 2	1	PC
60	6.683-671.0	Cable operating element	1	PC
70	6.683-672.0	Cable operating element switch	1	PC
20	6.683-819.0	Cable brush motor	1	PC
80	6.684-044.0	Cable	1	PC

991 KEM Machine Connect B 110 R *EU (2.644-213.0)

POS	Article no.	Description	Quantity	Unit
10	2.644-213.7	Kaercher Fleet services B110R	1	PC



10 Kaercher Fleet services B110R (2.644-213.7)

POS	Article no.	Description	Quantity	Unit
20	5.039-431.0	Retaining plate fleet management module B110	1	PC
40	7.303-108.0	Screw 5x20-10.9-R2R (In6Rd)	2	PC
30	7.306-206.0	Screw M4x10 -A2-70 ISO 14583	3	PC