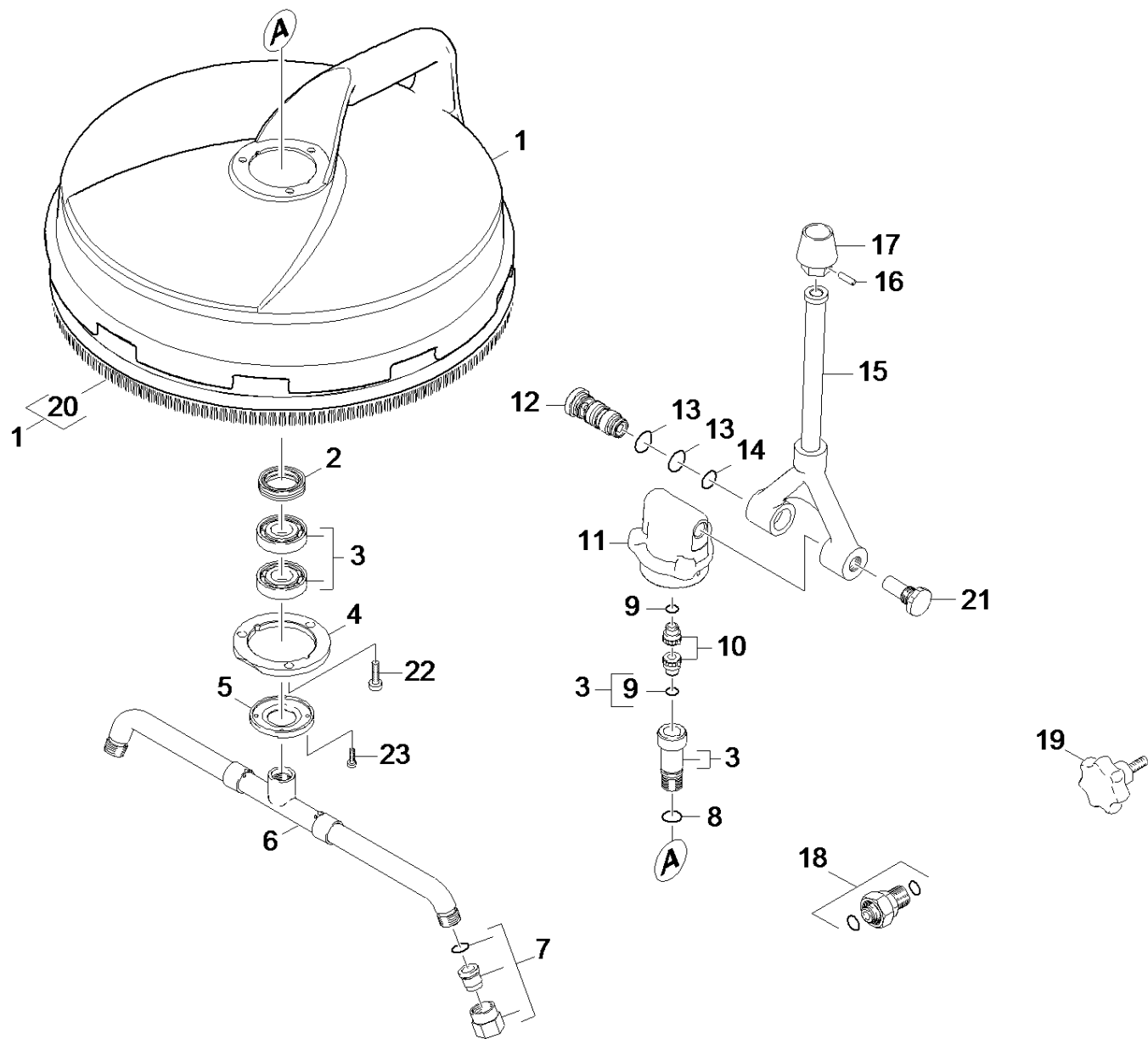


## 10 Surface cleaner

Overview technical documents/Professional/High pressure cleaner cold water/Accessories/FR 30 from 2.641-065.0 (2.642-997.0)/Spare parts list FR 30/10 Surface cleaner



## 10 Surface cleaner

Overview technical documents/Professional/High pressure cleaner cold water/Accessories/FR 30 from 2.641-065.0 (2.642-997.0)/Spare parts list FR 30/10 Surface cleaner

Rez.daļas/nodil.pakļ.daļas	Poz.	Materiāla Nr.	Nosaukums	Daudzums	Pārdoš. vienība	no sēr. Nr..	līdz sēr. Nr.
	1	4.066-428.0	Cover complete FR 30	1.000	ST		
X-X	2	7.367-000.0	Radial shaft seal ring A20x30x7-NBR DIN	1.000	ST	0000000000	0000000000
X-X	3	4.250-078.0	Bearing complete	1.000	ST	0000000000	0000000000
	4	5.122-003.0	Flange	1.000	ST	0000000000	0000000000
	5	5.122-478.0	Flange	1.000	ST	0000000000	0000000000
	6	4.764-154.0	Nozzle holder	1.000	ST	0000000000	0000000000
X-X	7	2.640-401.0	Nozzle	1.000	ST	0000000000	0000000000
X-X	7	2.640-482.0	Nozzle pack 018	1.000	ST	0000000000	0000000000
X-X	7	2.639-187.0	Nozzle pack	1.000	ST	0000000000	0000000000
	8	6.362-388.0	Gredzenblīve 8,0x1,5 -EPDM 70	1.000	ST	0000000000	0000000000
	9	6.362-658.0	O-Ring seal 7 X 1,5-NBR 90	2.000	ST	0000000000	0000000000
X-X	10	5.111-322.0	Sleeve	2.000	ST	0000000000	0000000000
	11	5.481-405.0	Base body FR 30	1.000	ST	0000000000	0000000000
	12	5.100-496.0	Shaft	1.000	ST	0000000000	0000000000
X-X	13	6.363-280.0	O ring seal	2.000	ST	0000000000	0000000000
	14	6.363-142.0	OØÝ, b□@10x1.5N BR 90	1.000	ST	0000000000	0000000000
	15	4.802-032.0	Angle joint FR 30	1.000	ST	0000000000	0000000000
	16	6.343-150.0	Pin 03	1.000	ST	0000000000	0000000000
	17	5.394-530.0	Protection part complete	1.000	ST	0000000000	0000000000
X-X	18	4.402-071.0	Screw union	1.000	ST	0000000000	0000000000
	19	6.321-196.0	Star grip M5x10	1.000	ST	0000000000	0000000000
	20	6.371-051.0	Brush-corona FR 28	1.000	ST		
	21	5.100-501.0	Shaft	1.000	ST		
	22	7.306-181.0	screw	3.000	ST		
	23	7.306-204.0	Screw M 3X 10-A2-70 (IN6RD)	4.000	ST		