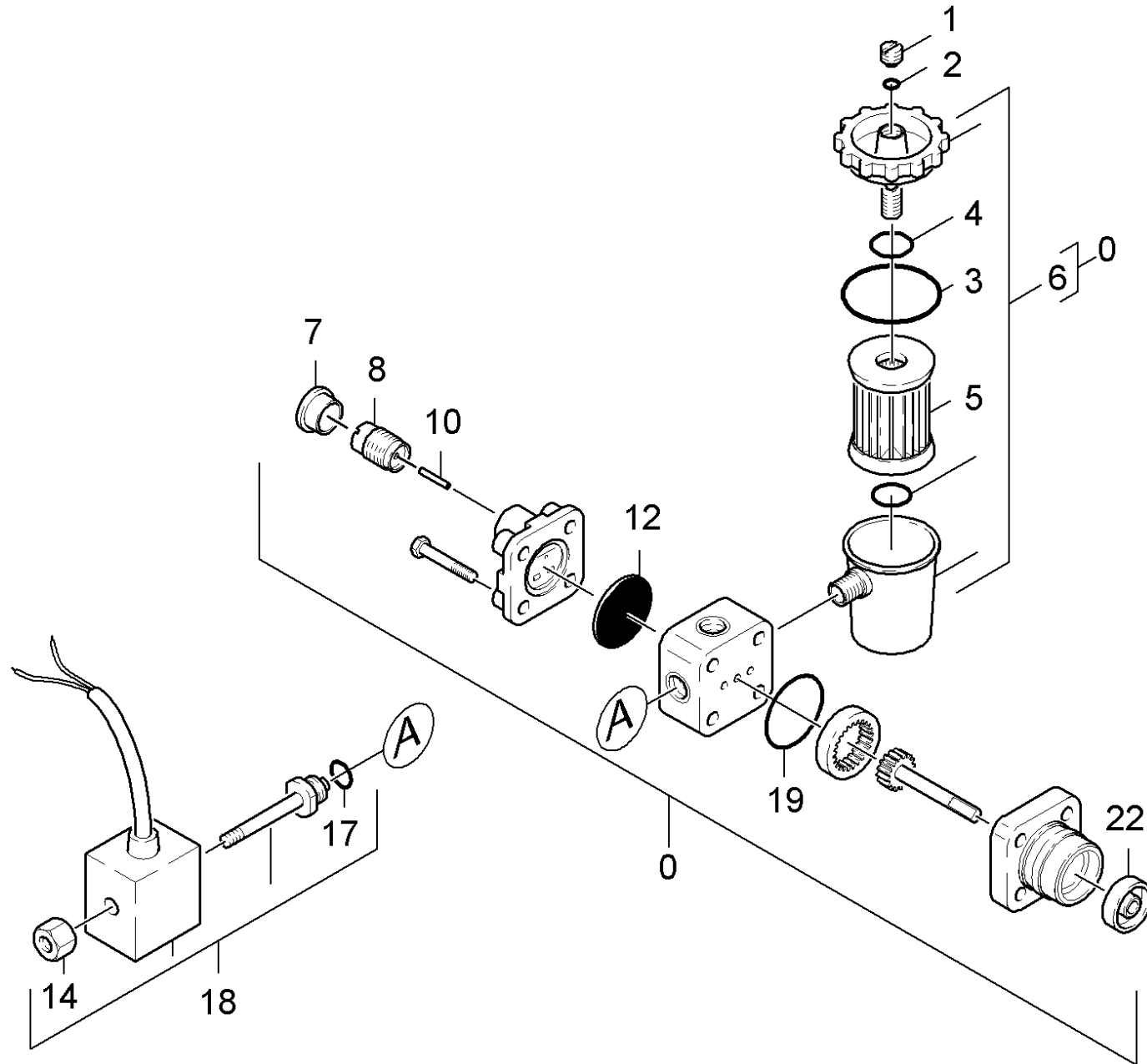


# 51 Fuel pump

Professional \ High pressure cleaner hotwater \ Electric motor \ HDS 500 CI \*EU \ Spare parts list HDS 500 CI \*EUR \ Fuel pump \ Fuel pump



## 51 Fuel pump

Professional \ High pressure cleaner hotwater \ Electric motor \ HDS 500 Cl \*EU \ Spare parts list HDS 500 Cl \*EUR \ Fuel pump \ Fuel pump

**KÄRCHER**

POS	Article no.	Description	Quantity	Unit
12	6.472-128.0	Diaphragm	1.000	ST
5	6.472-113.0	Filter cartridge	1.000	ST
6	6.472-123.0	Filter housing complete	1.000	ST
8	6.472-109.0	Housing spring	1.000	ST
14	6.472-340.0	Knurled nut	1.000	ST
2	6.472-106.0	O-Ring seal 5,0 X 1,8	1.000	ST
4	6.472-112.0	O-Ring seal 10,0 x 2,4 NBR 70	1.000	ST
17	6.472-125.0	O-Ring seal 12,0 X 1,5	1.000	ST
19	6.472-120.0	O-Ring seal 28,5 X 1,6	1.000	ST
3	6.472-111.0	O-Ring seal 32,0 X 1,6	1.000	ST
10	6.472-108.0	Pin	1.000	ST
7	6.472-122.0	Protecting cap	1.000	ST
0	6.472-925.0	Pump oil burner only for replacement	1.000	ST
1	6.472-107.0	Screw ventilation	1.000	ST
22	6.472-105.0	Seal axle	1.000	ST
18	6.472-412.0	Solenoid valve complete	1.000	ST