

Spare parts list

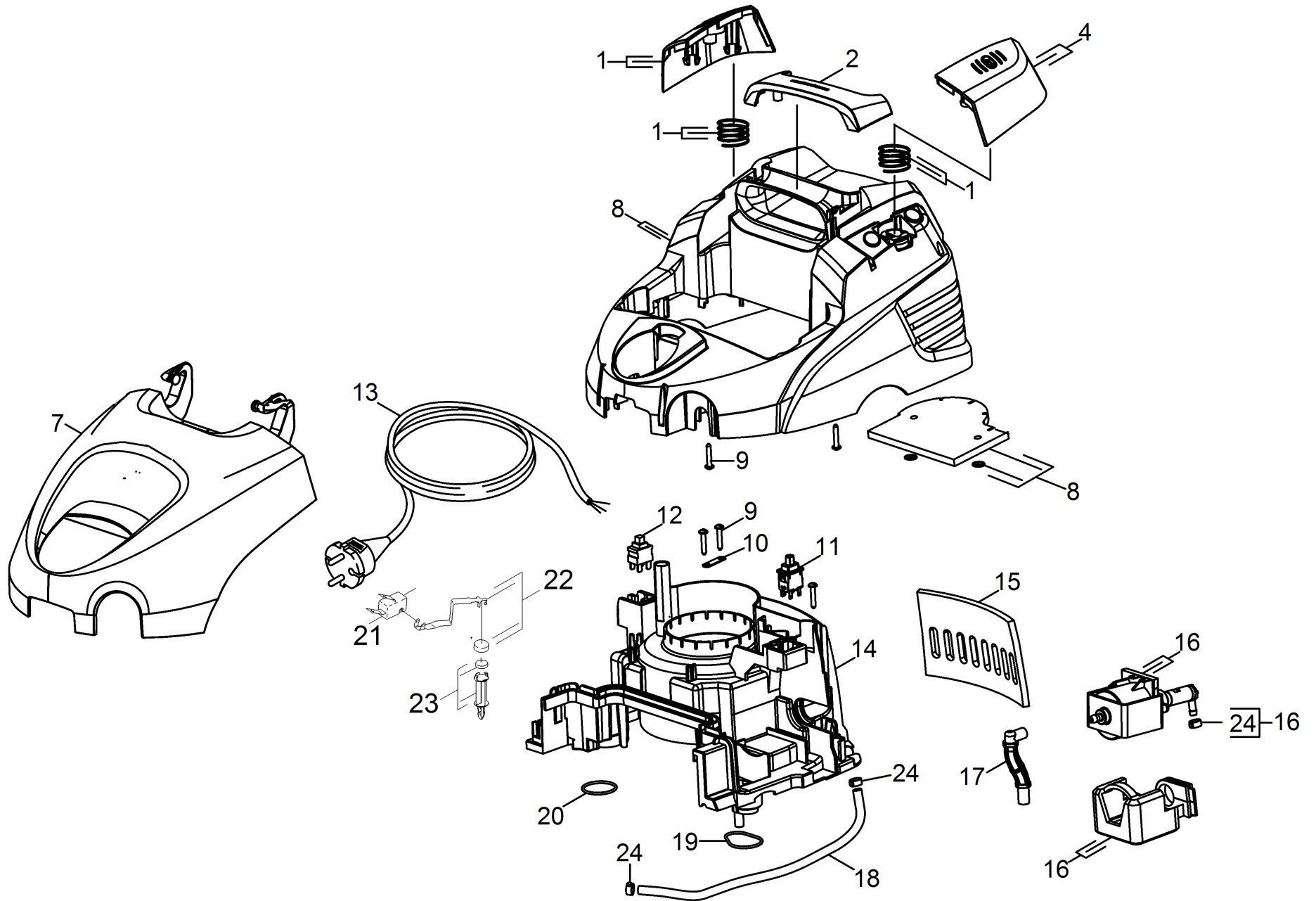
(1.081-202.0) SE 2 Car *EU

Table of contents

SE 2 Car *EU (1.081-202.0)	3
10 Cover	4
20 Vacuum motor	6
30 Tank	8
40 Accessories	10

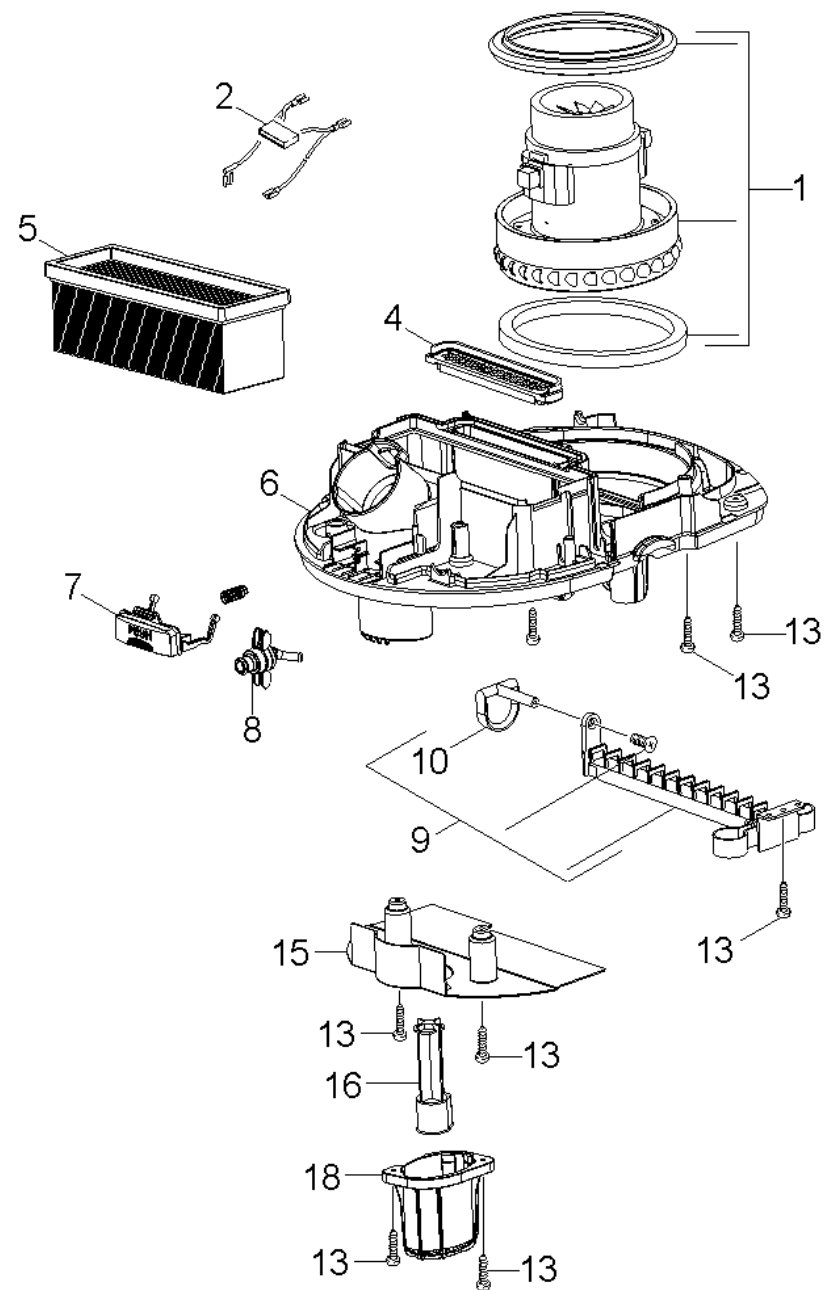
SE 2 Car *EU (1.081-202.0)

POS	Description	Quantity	Unit
40	Accessories	1	PC
10	Cover	1	PC
30	Tank	1	PC
20	Vacuum motor	1	PC



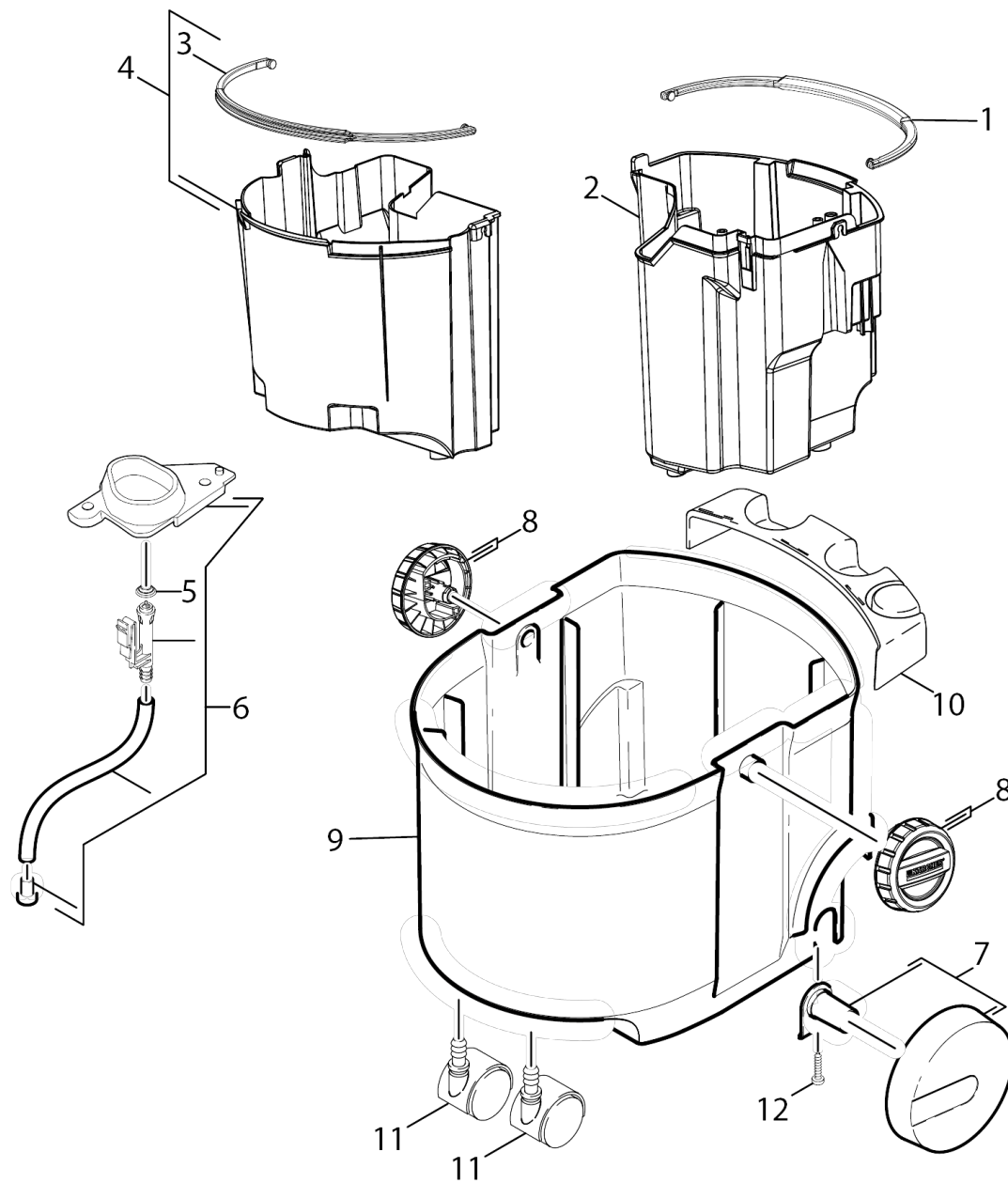
10 Cover

POS	Article no.	Description	Quantity	Unit	Foot note text
4	9.001-810.0	Button grey	1	PC	
1	9.001-812.0	Button grey On-Off	1	PC	
13	9.084-283.0	Cable 5,5m *EU	1	PC	
10	6.903-241.0	Clamp clip	1	PC	
8	9.001-805.0	Cover black	1	PC	
7	4.069-056.0	Filter cover for replacement	1	PC	VERSION 2
15	9.439-534.0	Filter sponge	1	PC	
2	9.411-958.0	Handhold cover SE 5100/6100	1	PC	
23	9.002-478.0	Holder magnet complete 20x5	1	PC	
24	6.389-882.0	Hose clip 8,5-10,0	2	PC	
14	9.411-404.0	Housing turbine SE 5.100-6.100	1	PC	
22	6.959-229.0	Lever and magnet	1	PC	
21	6.959-228.0	Micro switch	1	PC	
9	6.303-150.0	Screw 4,2x 22	7	PC	
20	9.439-075.0	Seal	1	PC	
19	6.273-070.0	Seal string cellular rubber 4	1	m	
16	9.001-817.0	Set pump	1	PC	
18	7.777-999.0	Stockpiling discontinued	1	PC	
17	9.439-073.0	Suction pipe	1	PC	
12	6.630-437.0	Switch on/off	1	PC	
11	9.477-021.0	Switch with LED	1	PC	



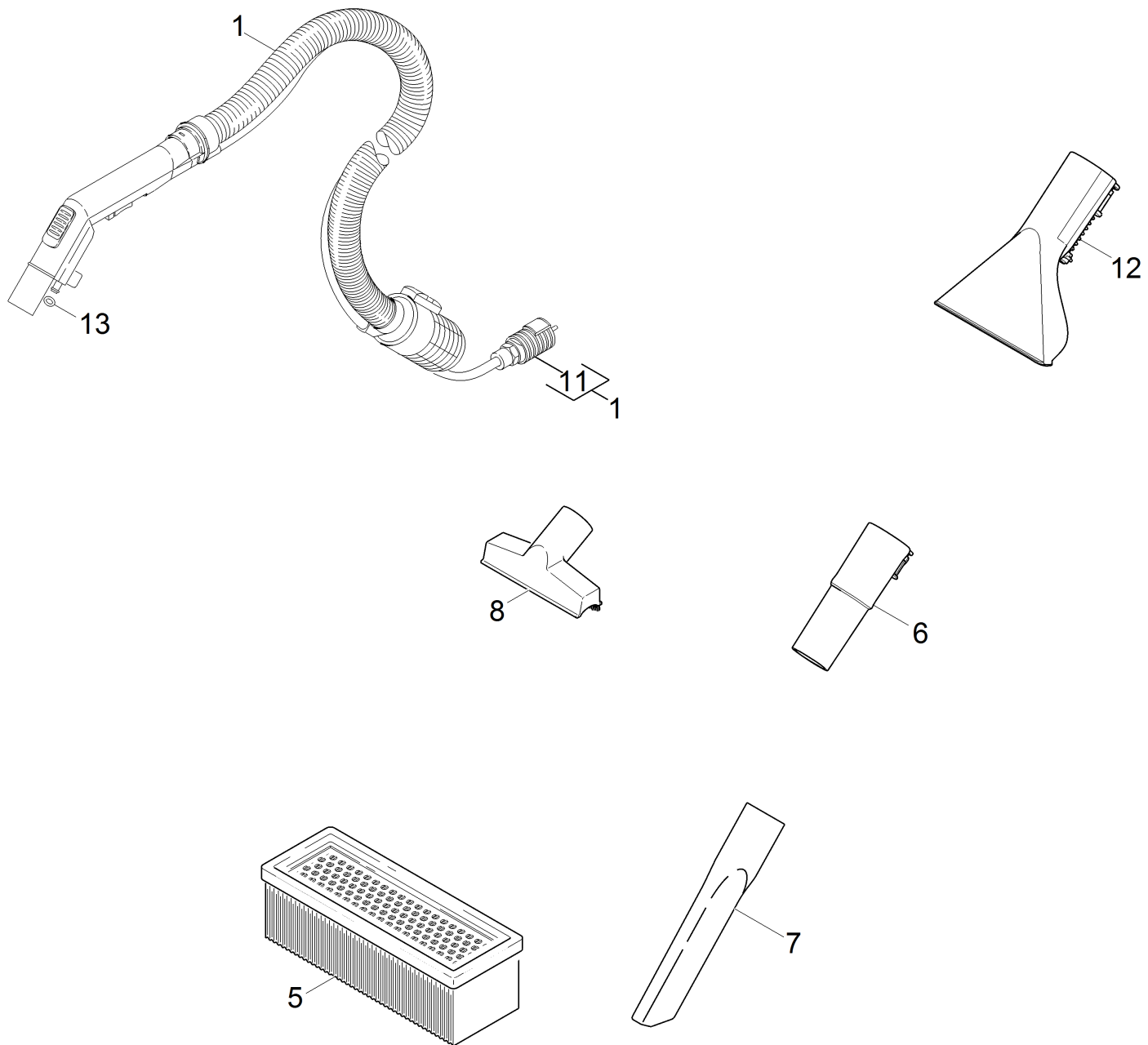
20 Vacuum motor

POS	Article no.	Description	Quantity	Unit
15	9.411-408.0	Baffle plate	1	PC
2	9.424-063.0	Cable with capacitor	1	PC
9	6.959-206.0	Filter vibrator complete	1	PC
6	9.411-594.0	Flange motor SE 5.100-6.100	1	PC
5	6.414-498.0	Flat-pleated filter SE	1	PC
16	6.959-199.0	Float	1	PC
10	6.959-316.0	Hand grip	1	PC
8	9.418-562.0	Pressure valve	1	PC
7	9.412-455.0	Pushbutton cover	1	PC
13	6.303-150.0	Screw 4,2x 22	13	PC
4	9.439-072.0	Seal air circulation	1	PC
18	9.411-637.0	SWIMMER FRAME	1	PC
1	9.001-841.0	Universal motor 1200W	1	PC



30 Tank

POS	Article no.	Description	Quantity	Unit
1	9.437-538.0	Carrier handle	1	PC
3	9.437-539.0	Carrier handle	1	PC
11	6.435-353.0	Castor D 42	2	PC
6	9.002-021.0	complete filter tank se3001	1	PC
2	9.001-803.0	Fresh water tank	1	PC
10	6.959-387.0	Holder accessories	1	PC
5	6.959-482.0	Joint ring	1	PC
12	7.303-084.0	Screw 4x25 -10.9-R2R (K-In6Rd)	2	PC
8	9.001-801.0	Set closure SE5/6	1	PC
9	9.411-339.0	Tank yellow blank SE 3001	1	PC
4	9.001-804.0	Waste water tank	1	PC
7	9.001-802.0	Wheels complete SE5001	2	PC



40 Accessories

POS	Article no.	Description	Quantity	Unit
6	9.012-279.0	Adapter /ADATTATORE ACC.SE	1	PC
7	6.900-385.0	Crevice nozzle DN35	1	PC
5	6.414-498.0	Flat-pleated filter SE	1	PC
12	9.012-278.0	Hand nozzle Sprueh-ex/HOME LINE	1	PC
1	9.437-025.0	Hose complete SE	1	PC
13	6.362-487.0	O-Ring seal 5,7 X 1,9-NBR 70	3	PC
11	9.001-818.0	Set coupler	1	PC
8	6.905-998.0	Upholstery nozzle complete NW35	1	PC