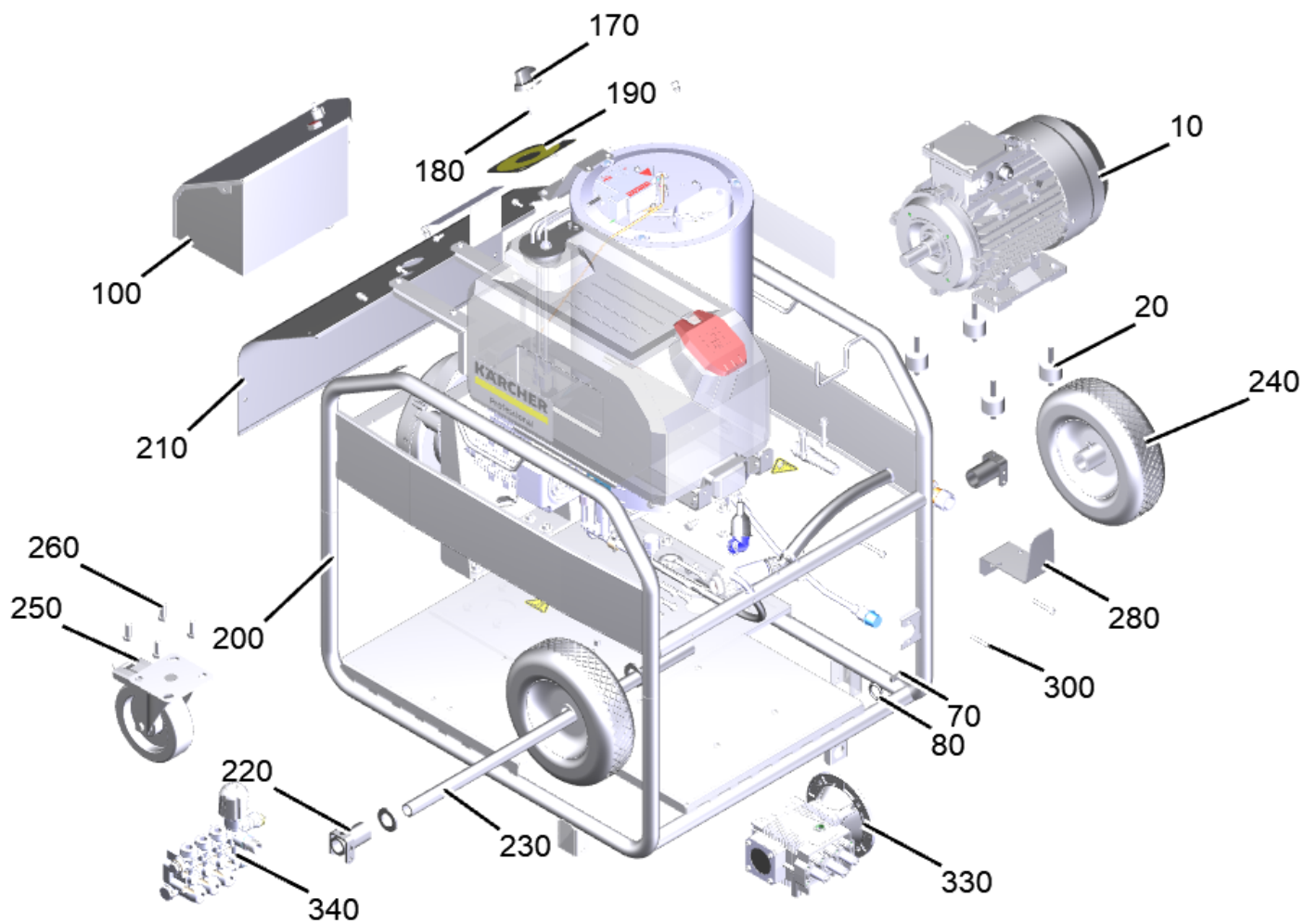


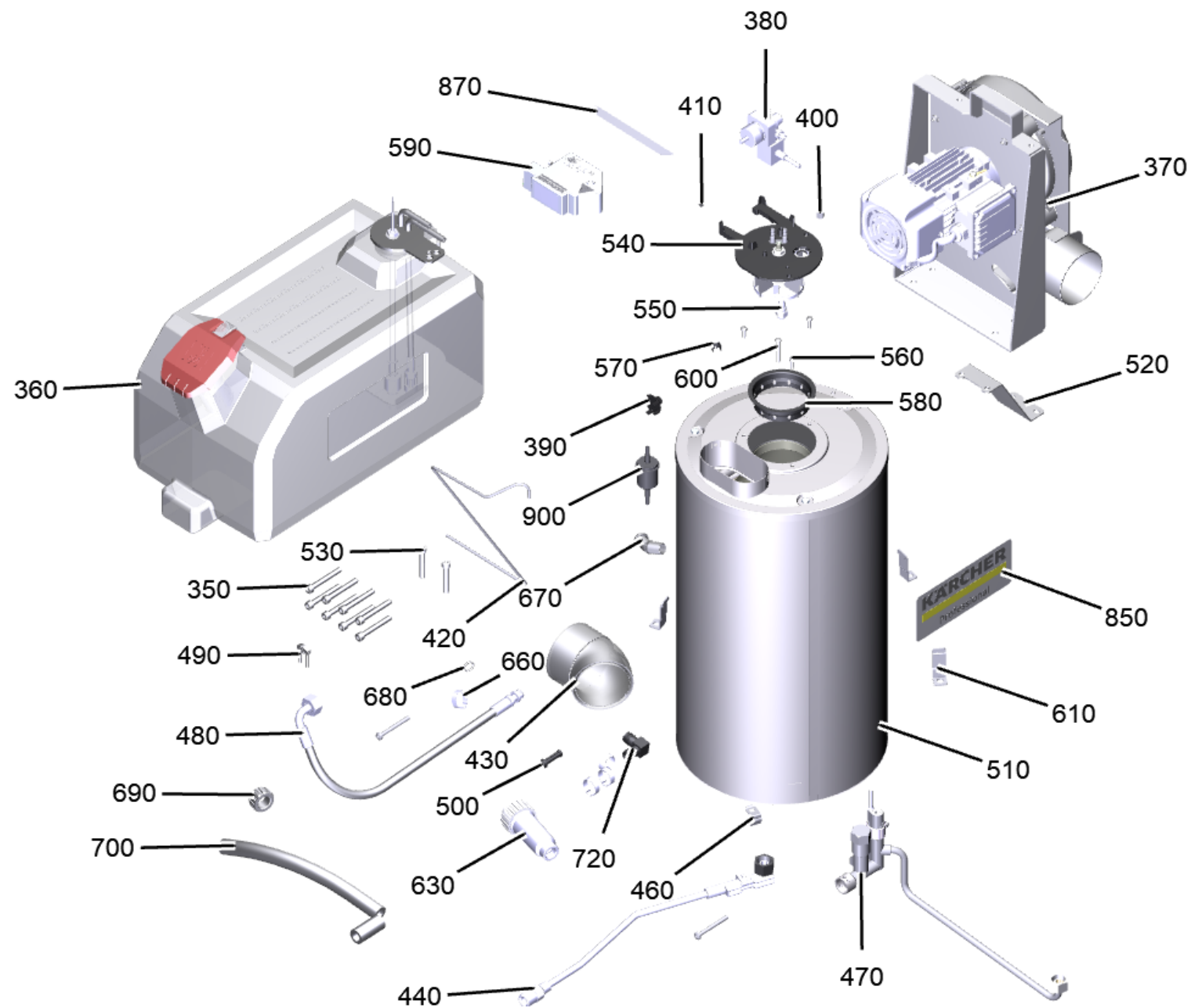
Spare parts list

(1.030-000.0) HDS 9/20-4 Classic *KAP

Table of contents

HDS 9/20-4 Classic *KAP (1.030-000.0)	3
100 Electric box station HDS 9/20 KAP	8
250 Electric box cover station HDS 9/20 KAP	10
330 Pump set HD 9/20	12
340 Cylinder head pressure switch station 25MPa	14
10 Valve seat complete only for replacement (9.751-028.0)	16
360 Fuel tank station HDS 9/20-4 Classic	18
10 Fuel tank sub-assembly HDS EU (9.751-309.0)	20
370 Blower station HDS 9/20-4	23
90 Housing blower complete (4.605-139.0)	25
470 Safety valve station HDS 9/20-4	27
540 Burner complete (4.654-282.0)	29
901 Conversion kit ignition electrode (2.638-974.0)	31
902 Cover pressure boiler only for replaceme (4.654-288.0)	33
999 Accessories	35
40 Power nozzle 25050 (2.883-399.0)	36





HDS 9/20-4 Classic *KAP (1.030-000.0)

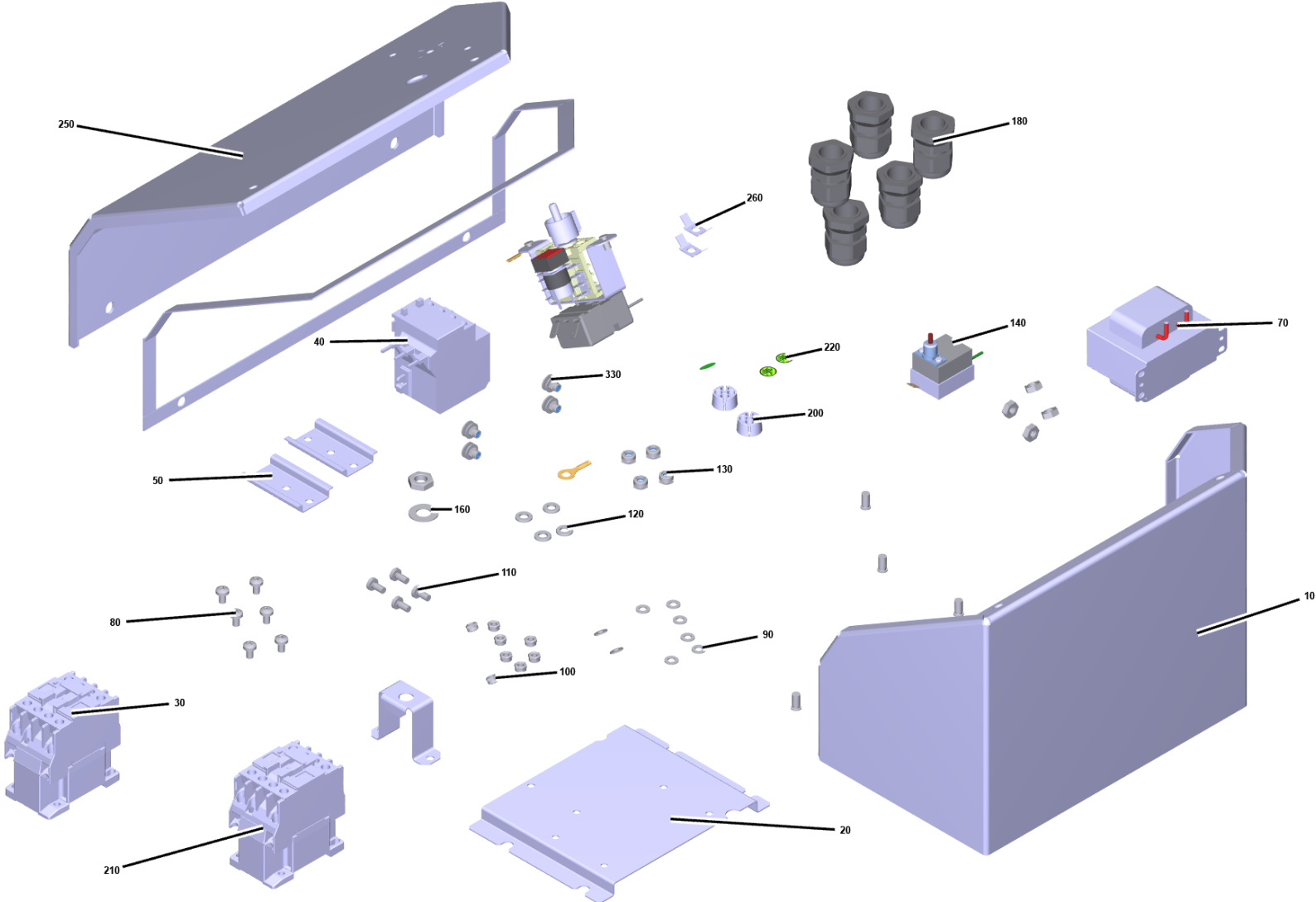
POS	Article no.	Description	Quantity	Unit
10	9.751-406.3	Motor complete HDS 9/20	1	PC
20	6.339-166.0	Rubber buffer	4	PC
30	7.311-510.0	Hexagon nut M 8-8-A2E ISO 7040	17	PC
40	7.306-041.0	Cylinder head screw M8x20 -8.8-A2E ISO	11	PC
50	7.312-004.0	Washer 8 -200HV-A3E ISO 7089	25	PC
60	7.312-166.0	Toothed lock washer A8,4-FSt-A3E DIN 6797	1	PC
70	7.318-039.0	Parallel key 8x7x36-C45K DIN 6885	1	PC
80	6.363-328.0	O-Ring seal 23.16x5.33	1	PC
100		Electric box station HDS 9/20 KAP	1	PC
110	9.768-387.0	Support for E-box	2	PC
120	5.034-494.0	Retaining bracket	1	PC
130	9.763-498.0	Clamp 22,0	2	PC
140	7.306-326.0	Screw M5x14 -8.8-ZNBHL (In6Rd)	4	PC
150	7.312-002.0	Washer 5-200HV-A3E ISO 7089	4	PC
160	7.311-421.0	Hexagon nut M 5-04-A2E DIN 985	2	PC
170	5.321-738.0	Handhold operational concept	1	PC
180	6.313-014.0	Spring element	1	PC
190	9.768-405.0	Label control panel 80°C	1	PC
200	9.751-391.0	Frame station HDS 9/20-4	1	PC
210	9.768-353.0	Cover plate	1	PC
220	9.768-380.0	Axle bush	2	PC
230	9.751-392.0	Wheel axle station	1	PC
240	9.768-088.0	Wheel PU D260x82xd25	2	PC
250	9.768-086.0	Castor D 150	1	PC
260	7.304-415.0	Hexagonal head screw M10x25-8.8-A3E ISO	4	PC
270	7.312-277.0	Washer 8-200HV-A2E ISO7093-1	8	PC
280	9.768-382.0	Hose holder HDS 9/20	1	PC
290	7.306-090.0	Screw M6x16 -8.8-P2R (In6Rd)	20	PC
300	7.306-199.0	Screw M 6x50-A2-70 (IN6RD)	2	PC
310	7.312-003.0	Washer 6 -200HV-A3E ISO 7089	34	PC
320	7.311-425.0	Hexagon nut M6-04-A2E DIN 985	16	PC
330		Pump set HD 9/20	1	PC
340		Cylinder head pressure switch station 25MPa	1	PC

HDS 9/20-4 Classic *KAP (1.030-000.0)

POS	Article no.	Description	Quantity	Unit
350	7.306-047.0	Cylinder head screw M8x60 -8.8-A2E ISO4	8	PC
360		Fuel tank station HDS 9/20-4 Classic	1	PC
370		Blower station HDS 9/20-4	1	PC
380	9.768-361.0	Fuel pump 24V AC	1	PC
390	5.471-097.0	Coupler fuel pump	1	PC
400	6.389-262.0	Union nut A 4-LL	2	PC
410	6.389-263.0	Cutting ring d.4	2	PC
420	9.768-354.0	Conduit fuel	1	PC
430	9.768-414.0	Elbow air circulation HDS 9/20-4	1	PC
440	9.751-387.0	Outlet station	1	PC
460	5.263-064.0	Tensioning part	1	PC
470		Safety valve station HDS 9/20-4	1	PC
480	9.751-276.0	HP hose elbow DN8 M22x1.5	1	PC
490	4.037-013.0	Hook	1	PC
500	6.414-566.0	Strainer WMS	1	PC
510	4.640-628.0	Boiler packaged D313	1	PC
530	7.306-112.0	Cylinder head screw M8x50-A2-70 ISO 476	2	PC
540	4.654-282.0	Burner complete	1	PC
550	6.415-001.0	Nozzle 1,35 60G H	1	PC
560	7.303-039.0	Screw M5x16 -St-P2R (In6Rd)	3	PC
570	5.034-834.0	Holder probe	1	PC
580	5.664-256.0	Flame tube	1	PC
590	4.622-025.0	Ignition transformer only for replacemen	1	PC
600	7.303-240.0	Screw M5x40-ST-A2E (IN6RD)	1	PC
610	5.044-420.0	Holder	3	PC
620	7.306-138.0	Screw M6x60 -8.8-R3R (In6Rd)	2	PC
630	4.730-168.3	Water filter complete	1	PC
640	6.641-463.0	Cable tape	20	PC
650	7.313-016.0	Spring washer B 5-1.4310 DIN 127	1	PC
660	9.761-213.0	Hose clip	2	PC
670	9.761-186.0	Hose stem 30°	1	PC
680	9.761-045.0	O-Ring seal 13,3x2,4	1	PC
690	5.310-062.0	Nut	1	PC

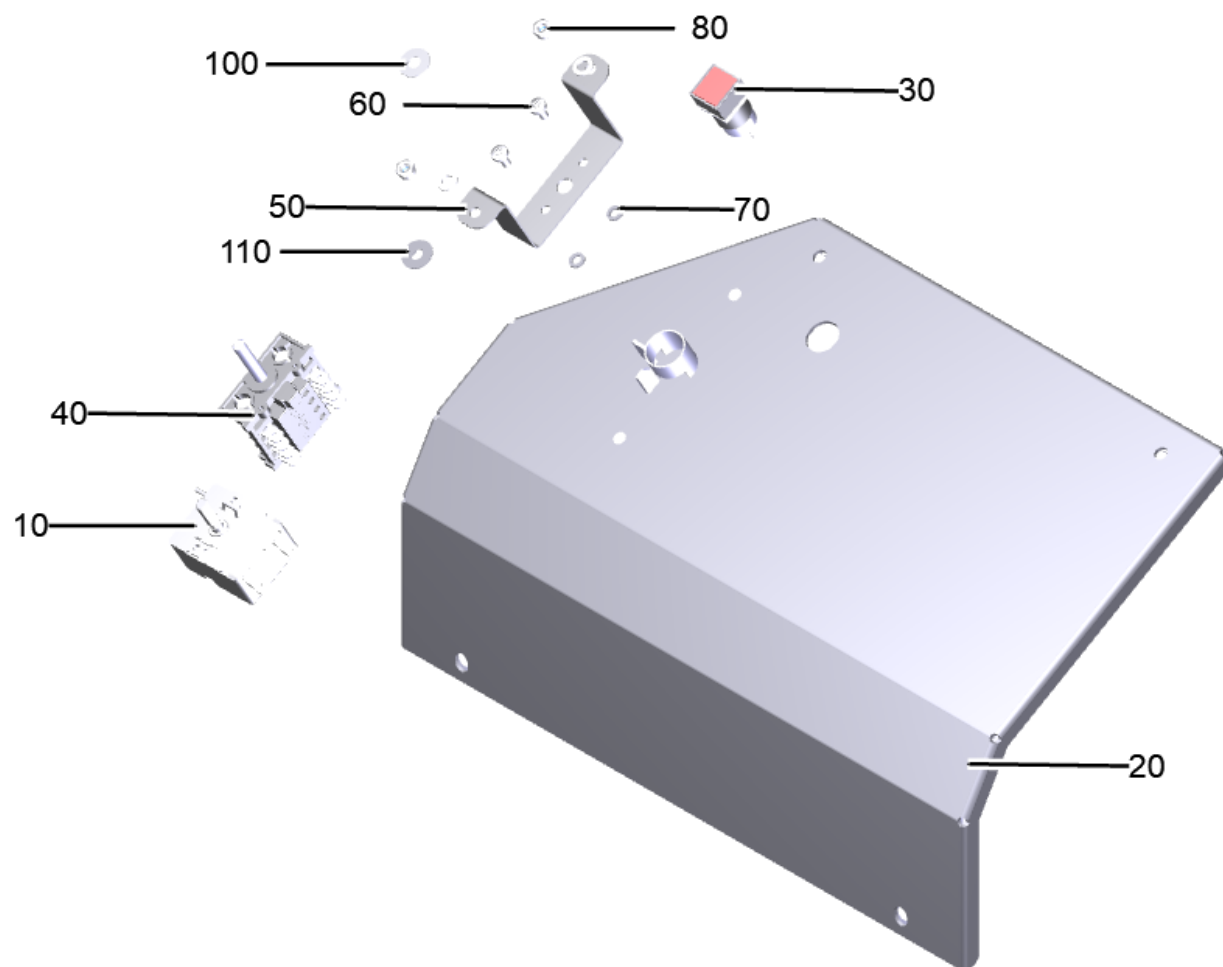
HDS 9/20-4 Classic *KAP (1.030-000.0)

POS	Article no.	Description	Quantity	Unit
700	6.388-719.0	Hose DN17	0,34	m
710	9.761-019.0	Manifold	1	PC
720	9.768-415.0	Elbow inlet DN17	1	PC
730	5.310-076.0	Nut	1	PC
740	5.443-291.0	Hose stem	1	PC
750	9.761-049.0	O-Ring seal 19,3x2,4	1	PC
930	9.751-407.0	Metal belt set HDS 9/20	1	PC
940	9.768-134.0	Metal belt upper PT	1	PC
950	6.303-174.0	Screw 6,0X20-ST-A2R	2	PC
960	7.373-025.0	Hose clip A 20-32x9-W4 DIN3017	2	PC
980	7.304-394.0	Hexagonal head screw M8x12 -8.8-A2E ISO	4	PC
999		Accessories	1	PC



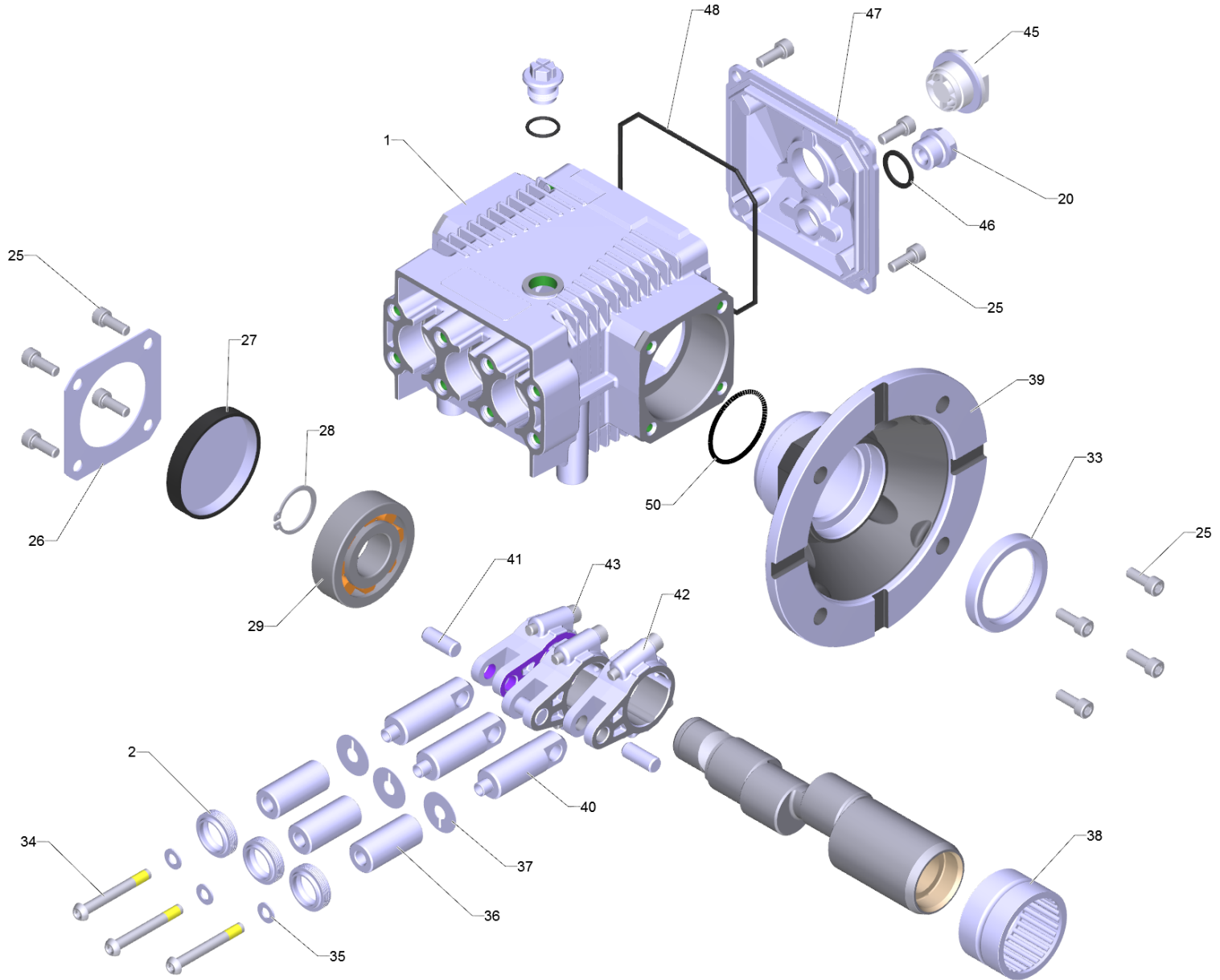
100 Electric box station HDS 9/20 KAP

POS	Article no.	Description	Quantity	Unit
10	9.751-389.0	Housing electric box station	1	PC
20	9.768-385.0	Bracket E-box	1	PC
30	9.768-609.0	Contactor LC1-1810B5N	1	PC
40	9.768-401.0	Relay thermal protection LRN16N	1	PC
50	9.761-329.0	Mounting part	2	PC
60	9.768-358.0	Cable with plug pole exchangeable	1	PC
70	9.768-359.0	Transformer 380v to 24v	1	PC
80	7.306-067.0	Screw M 5x8-ST- 8.8-ZNBHL (IN6RD)	4	PC
90	7.312-002.0	Washer 5-200HV-A3E ISO 7089	4	PC
100	7.311-421.0	Hexagon nut M 5-04-A2E DIN 985	4	PC
110	7.306-071.0	Screw M5x10 -8.8-R2R (In6Rd)	2	PC
120	7.312-003.0	Washer 6 -200HV-A3E ISO 7089	4	PC
130	7.311-425.0	Hexagon nut M6-04-A2E DIN 985	4	PC
140	9.761-683.0	Temperature limiter 230°C	1	PC
150	9.761-911.0	Bracket therm.	1	PC
160	7.312-302.0	Spring washer B10-FST-A2E DIN 137	1	PC
170	7.311-101.0	Hexagon nut M10x1 -04-A2E DIN 936	1	PC
180	9.761-746.0	Cable gland black M22X1,5	2	PC
190	9.768-402.0	Cable gland black M20	3	PC
200	9.761-688.0	Seal rubber	2	PC
210	9.768-610.0	Contactor LC1-0610B5N	1	PC
220	6.643-145.0	Label earthing	2	PC
230	9.751-395.0	Switch station N.C	1	PC
240	9.768-404.0	Cable station	1	PC
250		Electric box cover station HDS 9/20 KAP	1	PC
280	9.761-356.0	Cable 1,5mm ² 250mm	4	PC
290	9.768-630.0	Earthing cable	1	PC
300	9.768-605.0	Cable 1,5x250mm	1	PC
310	9.768-606.0	Cable 1,5x300mm	1	PC
320	7.303-031.0	Screw M4x10 -St-P2R (In6Rd)	4	PC
330	7.312-293.0	Washer 4-A2 ISO 7093-1	8	PC
340	7.311-516.0	Hexagon nut M4-A2-70 DIN 985	4	PC



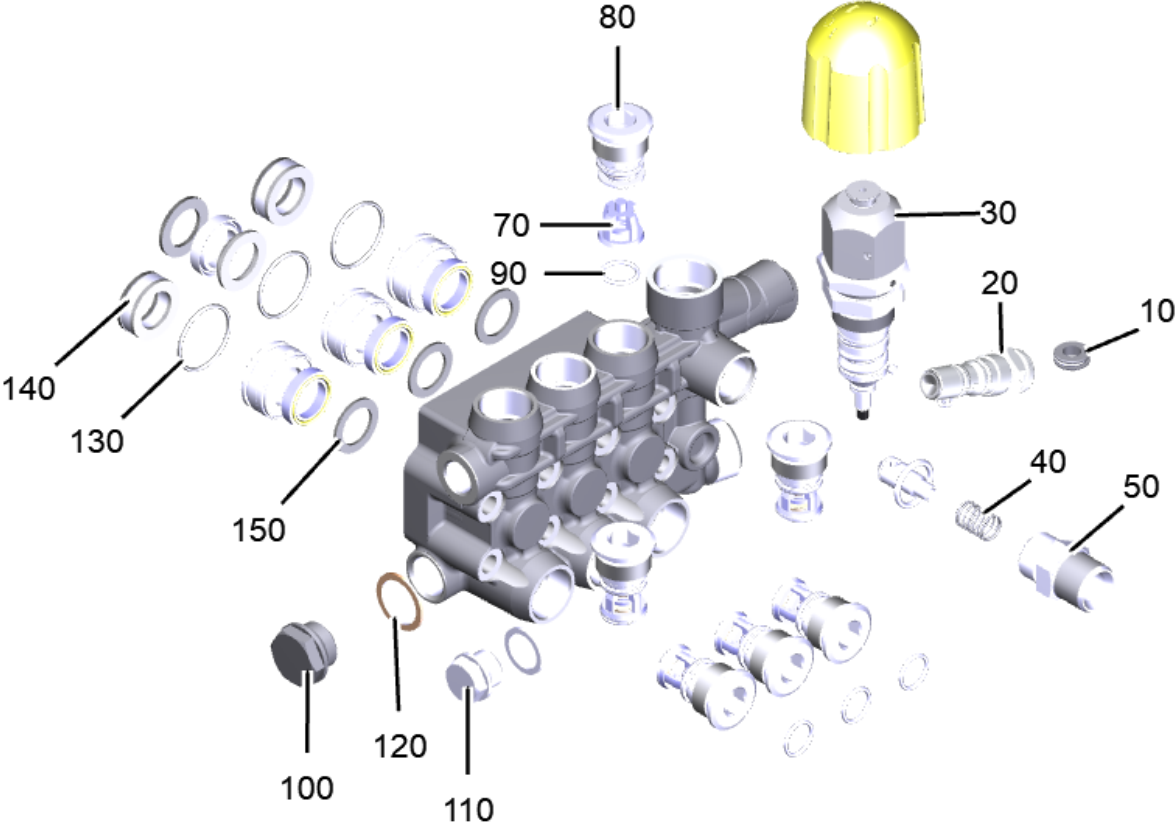
250 Electric box cover station HDS 9/20 KAP

POS	Article no.	Description	Quantity	Unit
10	9.768-419.0	Thermostat adjustable 80°C	1	PC
20	9.751-390.0	Cover electric box station	1	PC
30	9.768-356.0	LED Light red 24V AC	1	PC
40	9.768-357.0	Main switch	1	PC
50	9.768-386.0	Support for main switch	1	PC
60	7.306-056.0	Screw M4x8 -8.8-R2R (In6Rd)	2	PC
70	7.313-017.0	Spring washer B 4-1.4310 DIN 127	2	PC
80	7.311-421.0	Hexagon nut M 5-04-A2E DIN 985	2	PC
90	7.312-002.0	Washer 5-200HV-A3E ISO 7089	2	PC
100	9.768-409.0	Washer plastic	1	PC
110	9.768-433.0	Washer plastic D	1	PC



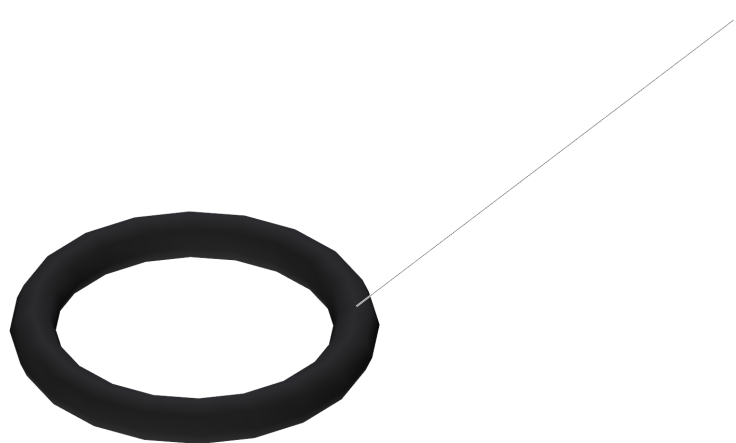
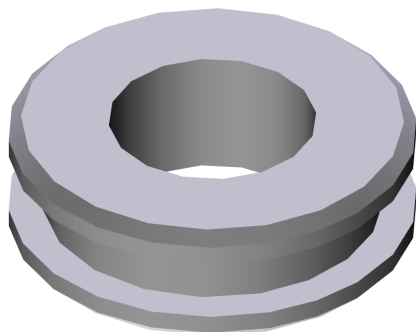
330 Pump set HD 9/20

POS	Article no.	Description	Quantity	Unit
1	9.761-278.0	Housing worked	1	PC
2	6.365-334.0	Grooved ring 18X26X6/8	3	PC
20	9.761-057.0	Drain plug G 3/8"	1	PC
25	7.306-272.0	Cylinder head screw M6x16-12.9-A2E ISO	12	PC
26	9.761-073.0	Plate covering cap	1	PC
27	9.761-118.0	Covering cap bearing	1	PC
28	7.343-008.0	Locking ring 25x1,2-St-vz DIN 471	1	PC
29	7.401-353.0	Roller bearing NUP 305-Waelz.St. DIN 541	1	PC
33	9.761-137.0	Joint ring W 42x55x8	1	PC
34	9.761-174.0	Pan head screw with Scotchgrip	3	PC
35	9.761-177.0	Joint ring	3	PC
36	9.761-071.0	Sleeve D 18	3	PC
37	9.761-078.0	Washer D 9.3 x 24	3	PC
38	9.761-138.0	Needle bearing	1	PC
39	9.761-140.0	Flange worked	1	PC
40	9.761-279.0	Connecting rod	3	PC
41	9.761-077.0	Pin	3	PC
42	9.751-008.0	Piston rod complete	3	PC
43	9.761-207.0	Lock washer	6	PC
45	9.761-093.0	Oil inspection glass G3/4"	1	PC
46	9.761-007.0	Joint ring G 3/8"	1	PC
47	9.761-120.0	Cover worked	1	PC
48	9.761-081.0	O-Ring seal D 2.62x107	1	PC
50	9.761-180.0	O-Ring seal D 55.56x3.55	1	PC
53	9.761-022.0	Oil level gauge G 3/8"	1	PC
55	6.288-050.0	Engine oil 1L	1	PC



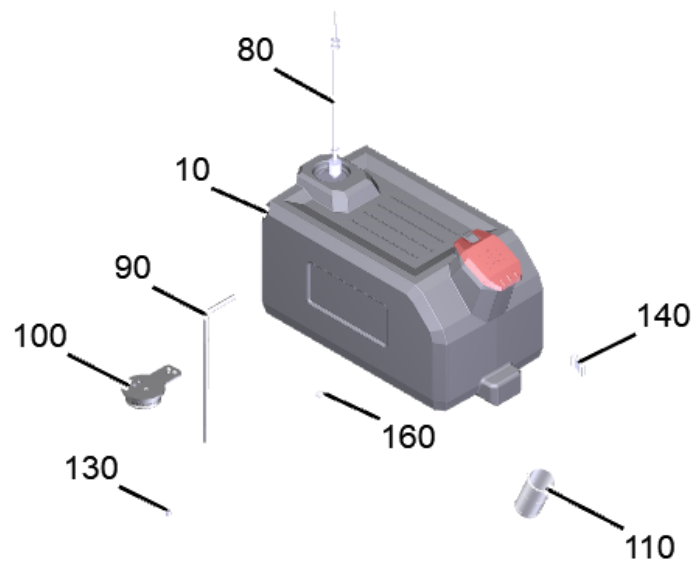
340 Cylinder head pressure switch station 25MPa

POS	Article no.	Description	Quantity	Unit
10	9.751-028.0	Valve seat complete only for replacement	1	PC
20	9.751-030.0	Pressure switch complete only for replac	1	PC
30	6.101-265.0	Excess-current with valve seat	1	PC
40	9.761-064.0	Pressure spring	1	PC
50	9.761-052.0	Screw plug	1	PC
60	9.761-104.0	O-Ring seal D 15.54x2.62	6	PC
70	9.751-004.0	Valve complete	6	PC
80	9.761-319.0	Valve screw inside hexagon M24x1.5	6	PC
90	9.760-107.0	O-Ring seal 16 x 2 - NBR 80 (9.081-406)	6	PC
100	9.761-067.0	Drain plug G 1/2"	1	PC
110	9.761-057.0	Drain plug G 3/8"	1	PC
120	9.761-105.0	Seal G 1/2"	1	PC
130	9.761-107.0	O-Ring seal 28.30 x 1.78	3	PC
140	6.365-493.0	Set of gaskets high-pressure W1	3	PC
150	6.365-495.3	Set of gaskets low-pressure W2	3	PC
180	9.761-237.0	Handle	1	PC



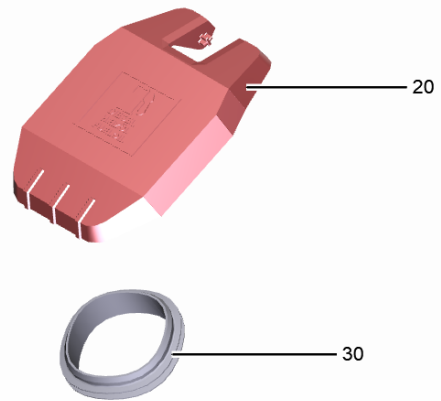
10 Valve seat complete only for replacement (9.751-028.0)

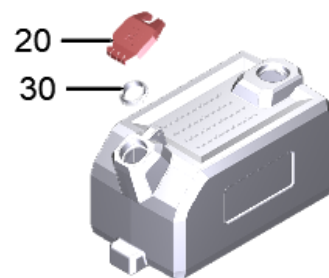
POS	Article no.	Description	Quantity	Unit
1	9.761-099.0	O-Ring seal 12.42x1.78	1	PC



360 Fuel tank station HDS 9/20-4 Classic

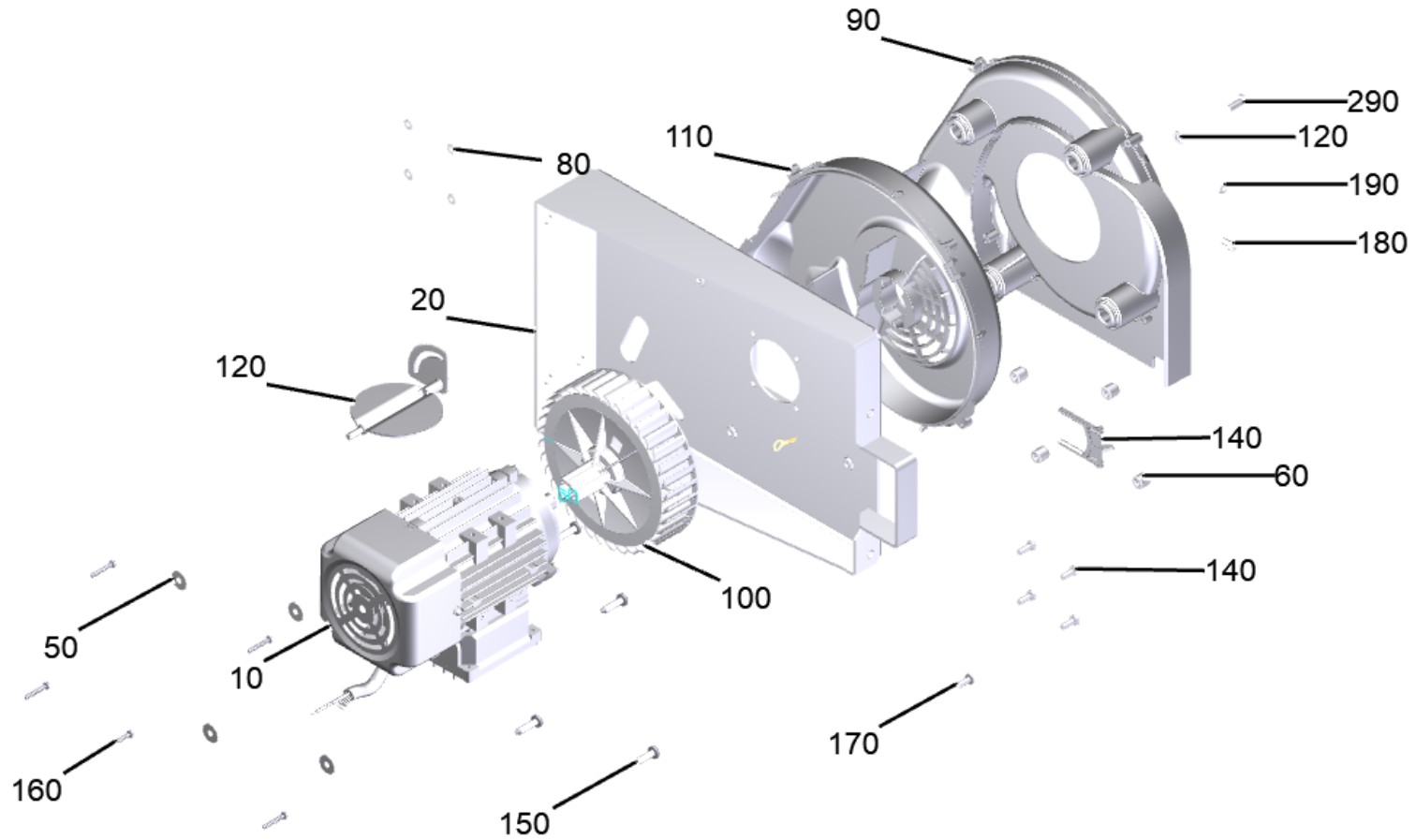
POS	Article no.	Description	Quantity	Unit
10	9.751-309.0	Fuel tank sub-assembly HDS EU	1	PC
20	9.751-407.0	Metal belt set HDS 9/20	1	PC
30	9.768-134.0	Metal belt upper PT	1	PC
40	7.306-094.0	Screw M6x25 -8.8-R3R (In6Rd)	4	PC
70	7.306-199.0	Screw M 6x50-A2-70 (IN6RD)	2	PC
80	9.768-362.0	Level switch 3-wire NBR 300mm	1	PC
90	6.389-534.0	Hose	2,3	m
100	9.761-661.0	Flange rubber	1	PC
110	9.761-659.0	Filter fuel inlet	1	PC
120	7.312-003.0	Washer 6 -200HV-A3E ISO 7089	8	PC
120	9.760-344.0	Filter chemistry (9.036-654.0)	1	PC
130	7.311-425.0	Hexagon nut M6-04-A2E DIN 985	4	PC
130	9.761-690.0	Hose clip ID 9	1	PC
140	9.761-662.0	Clip	1	PC
160	7.312-302.0	Spring washer B10-FST-A2E DIN 137	1	PC





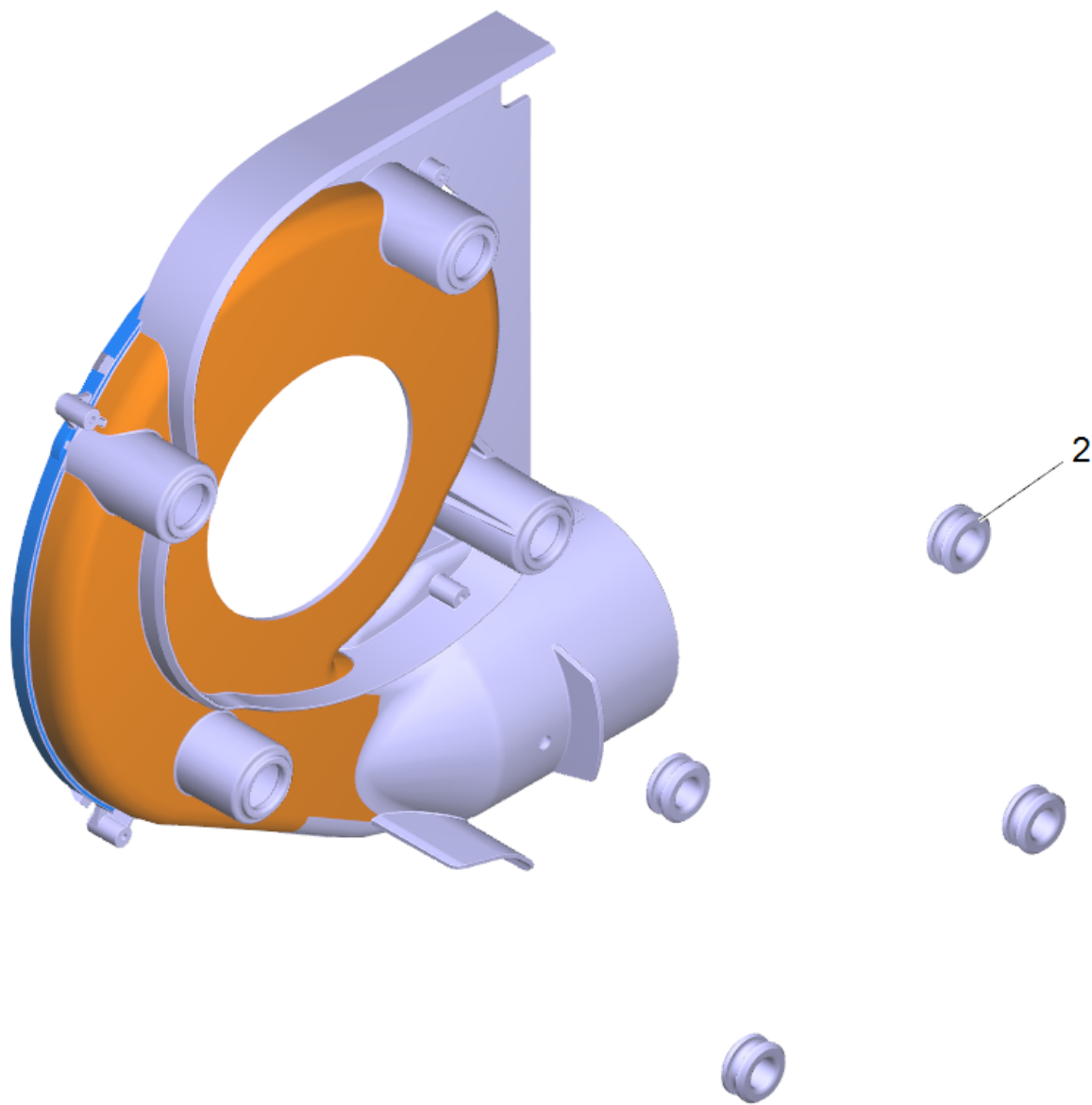
10 Fuel tank sub-assembly HDS EU (9.751-309.0)

POS	Article no.	Description	Quantity	Unit
20	9.761-658.0	Cap fuel tank	1	PC
30	9.761-736.0	Cap seal	1	PC



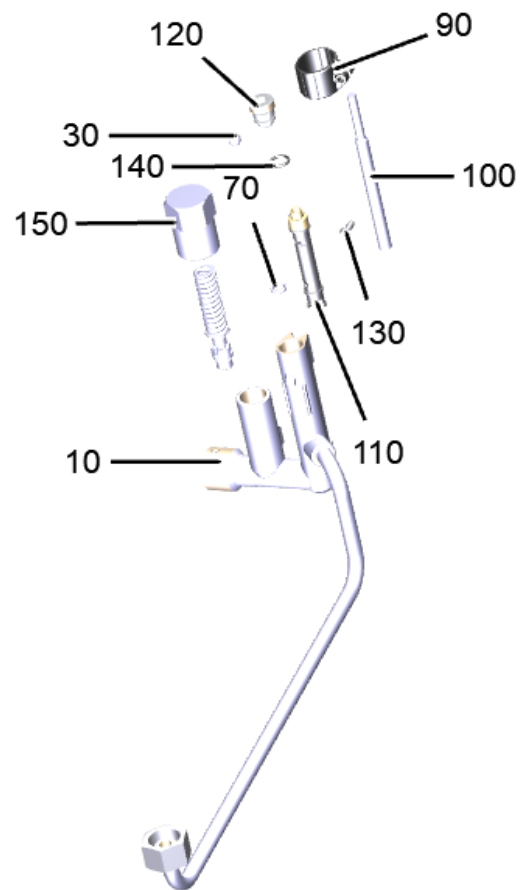
370 Blower station HDS 9/20-4

POS	Article no.	Description	Quantity	Unit
10	9.768-360.3	Motor for replacement	1	PC
20	9.751-393.0	Bracket station blower	1	PC
50	7.312-276.0	Washer 6 -200HV-A2E ISO7093-1	4	PC
60	9.761-737.0	Sleeve plastic	4	PC
80	7.312-282.0	Washer 5-A2 ISO 7093-1	5	PC
90	4.605-139.0	Housing blower complete	1	PC
100	5.600-100.0	Blower wheel	1	PC
110	5.064-341.0	Cover blower	1	PC
120	7.312-003.0	Washer 6 -200HV-A3E ISO 7089	1	PC
120	5.606-009.0	Air flap	1	PC
140	5.263-099.0	Clamp	1	PC
140	7.306-326.0	Screw M5x14 -8.8-ZNBHL (In6Rd)	4	PC
150	7.303-048.0	Screw M6x20 -St-R3R (In6Rd)	4	PC
160	7.303-084.0	Screw 4x25 -10.9-R2R (K-In6Rd)	5	PC
170	7.303-107.0	Screw 5x16 -10.9-P2R (K-In6Rd)	1	PC
180	7.306-071.0	Screw M5x10 -8.8-R2R (In6Rd)	1	PC
190	7.313-016.0	Spring washer B 5-1.4310 DIN 127	1	PC
200	9.761-689.0	Earthing cable	1	PC
290	7.306-090.0	Screw M6x16 -8.8-P2R (In6Rd)	1	PC



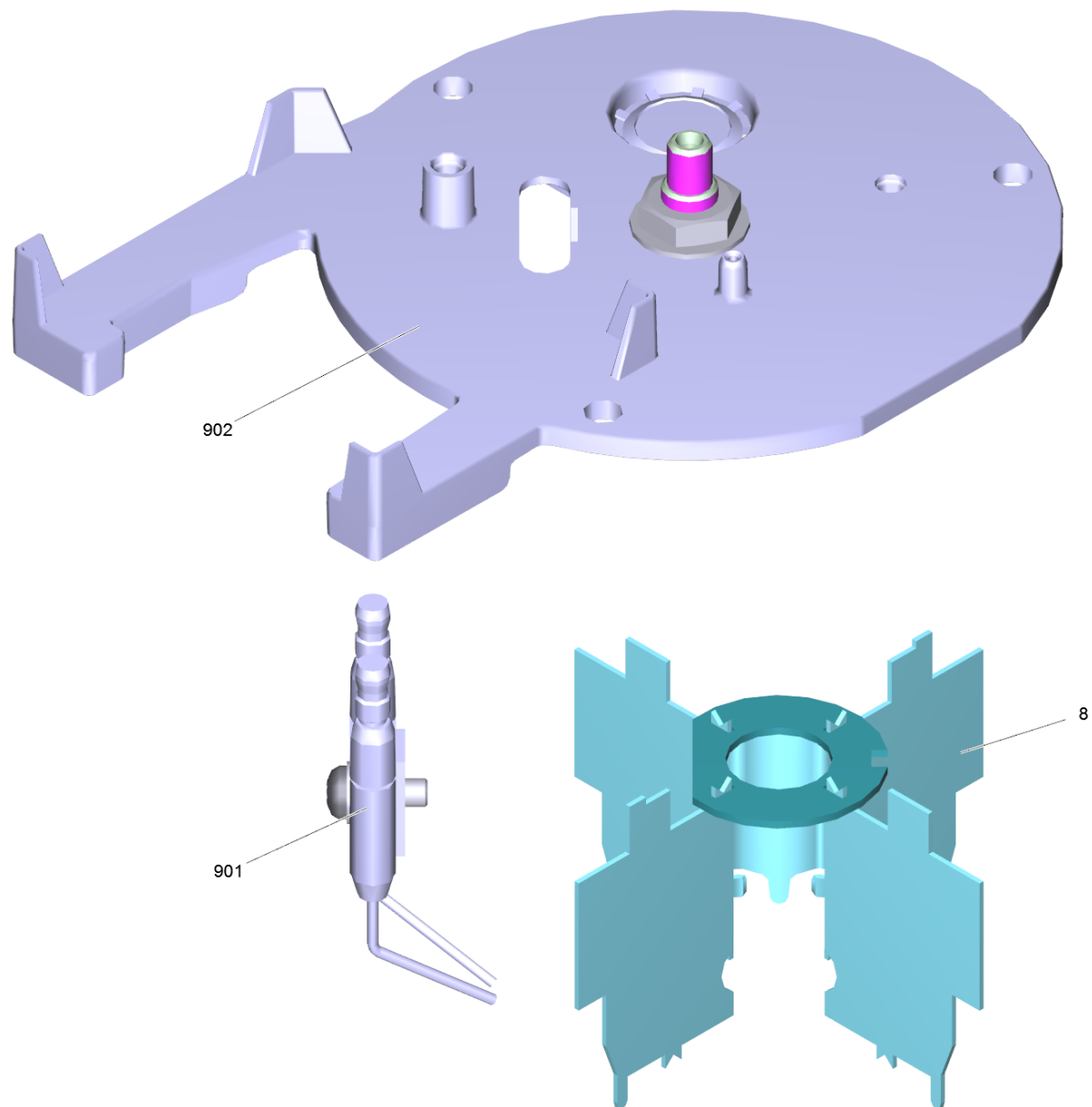
90 Housing blower complete (4.605-139.0)

POS	Article no.	Description	Quantity	Unit
2	5.379-019.0	Rubber ring	4	PC



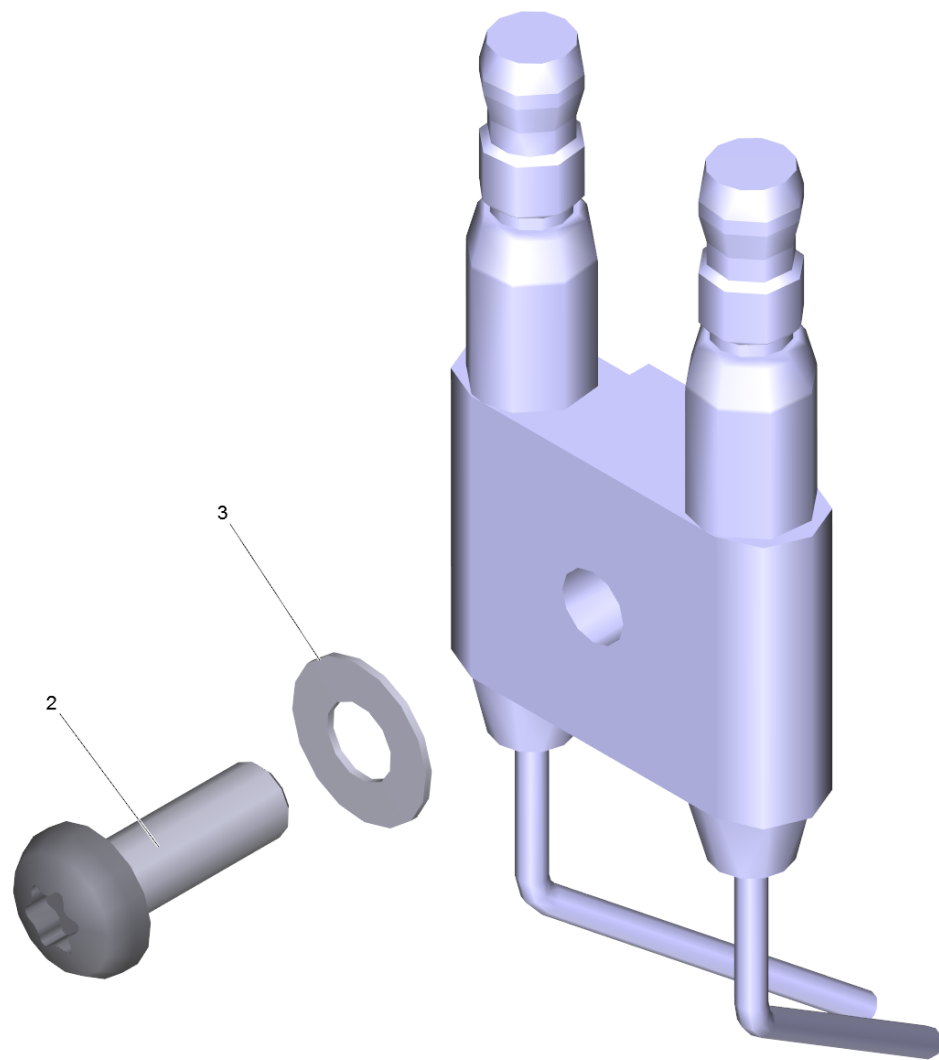
470 Safety valve station HDS 9/20-4

POS	Article no.	Description	Quantity	Unit
10	9.751-388.3	Manifold complete HDS 9/20-4	1	PC
30	6.401-429.0	Sphere polyamide 8mm	1	PC
70	2.640-729.0	O-Ring seal set	1	PC
90	5.041-076.0	Clamp	1	PC
100	9.768-398.0	Reed switch	1	PC
110	4.551-058.0	Cartridge protection against water short	1	PC
120	5.305-162.0	Shaped screw	1	PC
130	7.303-106.0	Screw 4x12 -10.9-R2R (IN6RD)	1	PC
140	6.362-482.0	O-Ring seal 10 x 1,5-NBR 70	1	PC
150	5.304-116.0	Adjusting screw	1	PC



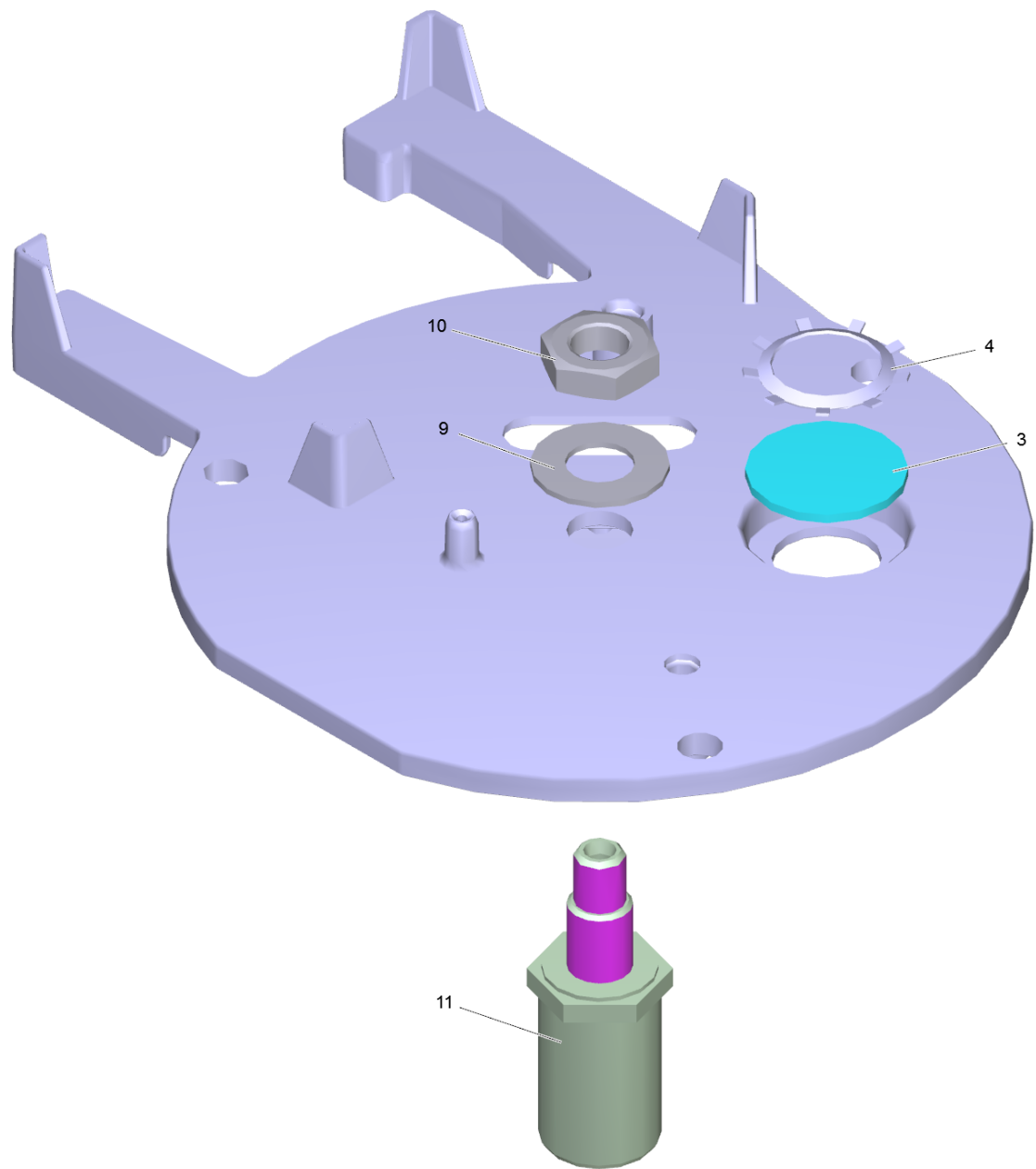
540 Burner complete (4.654-282.0)

POS	Article no.	Description	Quantity	Unit
8	4.663-073.0	Baffle plate complete	1	PC
901	2.638-974.0	Conversion kit ignition electrode	1	PC
902	4.654-288.0	Cover pressure boiler only for replaceme	1	PC



901 Conversion kit ignition electrode (2.638-974.0)

POS	Article no.	Description	Quantity	Unit
2	7.306-326.0	Screw M5x14 -8.8-ZNBHL (In6Rd)	1	PC
3	7.312-304.0	Spring washer B 5-FST-A2E DIN 137	1	PC

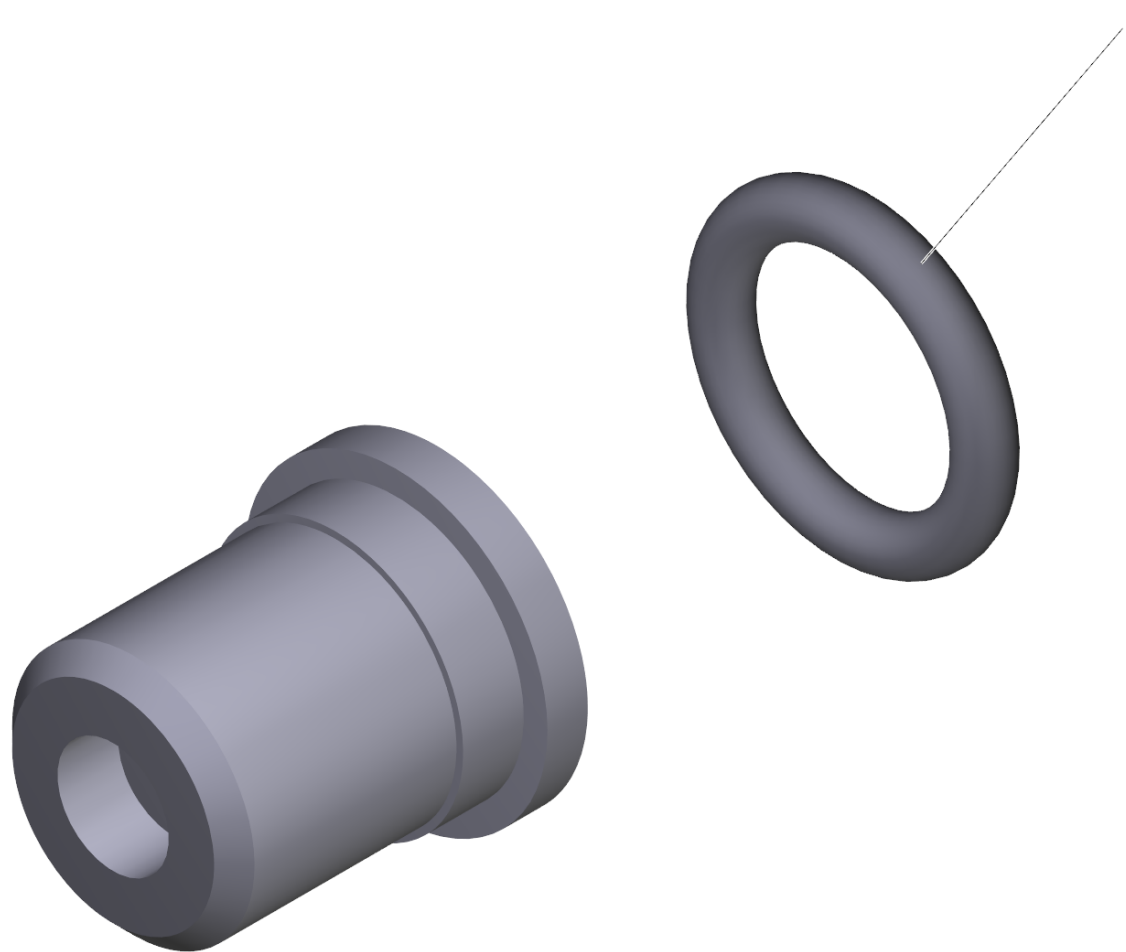


902 Cover pressure boiler only for replaceme (4.654-288.0)

POS	Article no.	Description	Quantity	Unit
3	6.278-018.0	Glass pane	1	PC
4	6.343-165.0	Serrated ring	1	PC
9	7.312-302.0	Spring washer B10-FST-A2E DIN 137	1	PC
10	7.311-101.0	Hexagon nut M10x1 -04-A2E DIN 936	1	PC
11	5.667-055.0	Nozzle holder	1	PC

999 Accessories

POS	Article no.	Description	Quantity	Unit
10	4.760-843.0	Pistol Classic M 155°C	1	PC
10	9.768-638.0	Pistol	1	PC
20	9.751-411.3	Hose assembly for replacement DN8 max.31,5MPa 10m 155°C	1	PC
30	9.761-694.0	Tube jet pipe 850mm, 100°C	1	PC
40	2.883-399.0	Power nozzle 25050	1	PC
50	5.401-210.0	Screw connector part	1	PC



40 Power nozzle 25050 (2.883-399.0)

POS	Article no.	Description	Quantity	Unit
1	7.362-501.0	O-Ring seal 10x2 EPDM 70 DIN 3770	1	PC