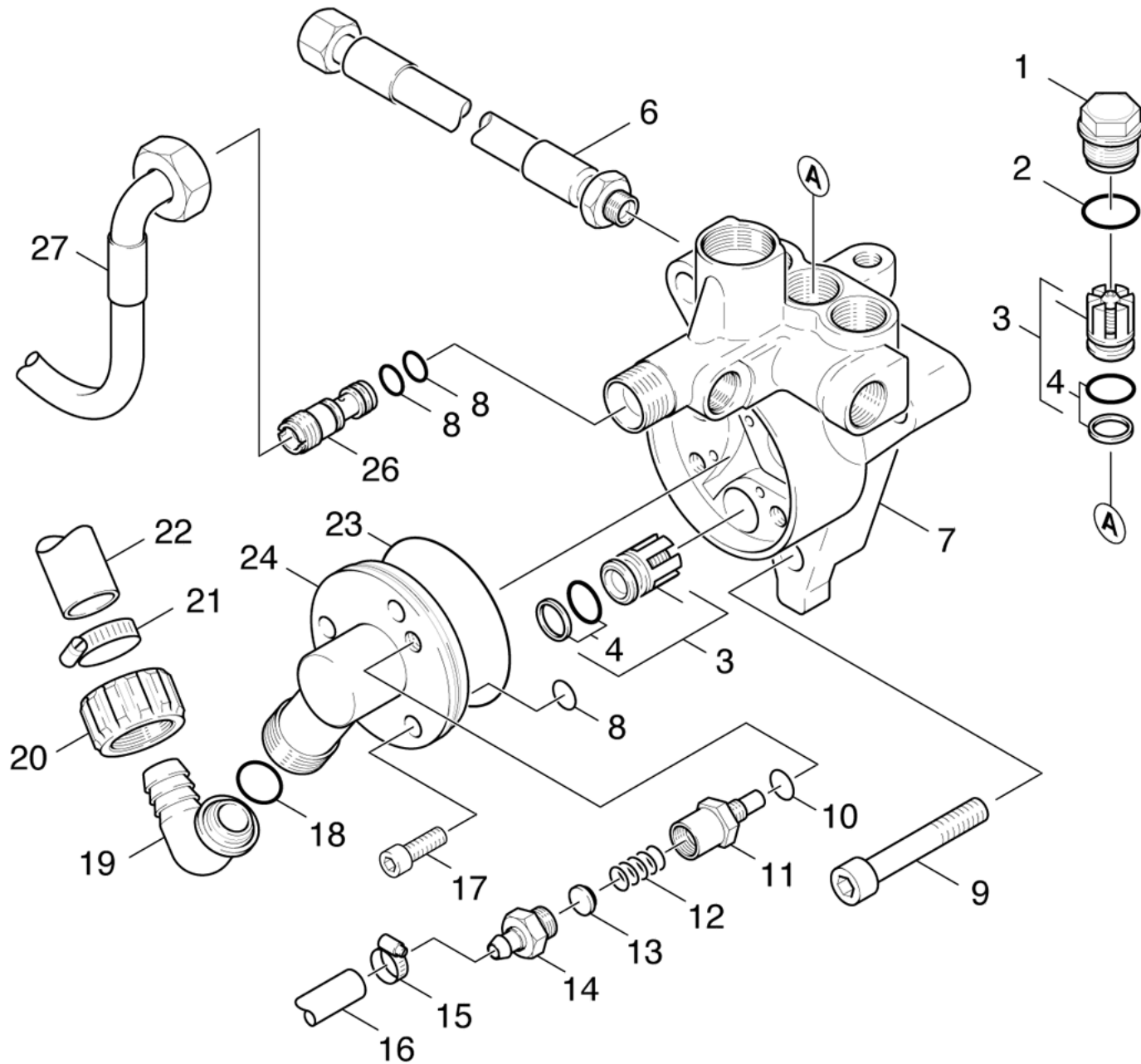


22 Valves

Professional \ High pressure cleaner hotwater \ Electric motor \ HDS 801E-24KW *CA \ Spare parts list HDS 801 E *CDN \ Pump set \ Valves



22 Valves

Professional \ High pressure cleaner hotwater \ Electric motor \ HDS 801E-24KW *CA \ Spare parts list HDS 801 E *CDN \ Pump set \ Valves



POS	Article no.	Description	Quantity	Unit	Foot note text
1	5.583-090.0	Valve screw	1	PC	
2	6.362-153.0	O-Ring seal 15,3 X 2,4-NBR 70	3	PC	
3	2.884-910.0	Valve (3 Stück)	1	PC	
4	4.363-693.0	O-Ring seal kpl. -nur fuer Ersatz-	6	PC	
6	6.389-791.0	High pressure hose DN5/710 mm	1	PC	
7	4.550-098.0	Cylinder head complete	1	PC	
8	6.362-384.0	O-Ring seal 9x1,5 - NBR 70	5	PC	
9	7.306-122.0	Cylinder head screw M12x80- 8.8-A3E IS	3	PC	
10	6.362-527.0	O-Ring seal 12,0 X 1,5-NBR 70	1	PC	
11	5.587-185.0	Valve housing	1	PC	
12	5.332-124.0	Helical spring	1	PC	
13	5.582-003.0	Valve disc	1	PC	
14	5.581-128.0	Valve seat	1	PC	
15	6.388-515.0	Hose clip	1	PC	
16	6.388-194.0	Hose DN 7	1	m	TO ORDER AS CUT GOODS
17	7.306-042.0	Cylinder head screw M8x25 -8.8-A2E ISO4	3	PC	
18	6.362-078.0	O-Ring seal 13,3x2,4	1	PC	
19	5.443-285.0	Hose stem	1	PC	
20	5.310-062.0	Nut	1	PC	
21	7.777-999.0	Stockpiling discontinued	1	PC	
22	6.388-719.0	Hose DN17	1	m	TO ORDER AS CUT GOODS
23	6.362-501.0	O-Ring seal 68,0 X 2,0-NBR 70	1	PC	
24	5.063-364.0	Housing cover	1	PC	
26	5.769-079.0	Nozzle insert D1.8/ D2.7/ L38	1	PC	
27	6.389-424.0	High pressure hose DN 8	1	PC	
100	2.883-446.0	Pump set HDS 801 E	1	PC	