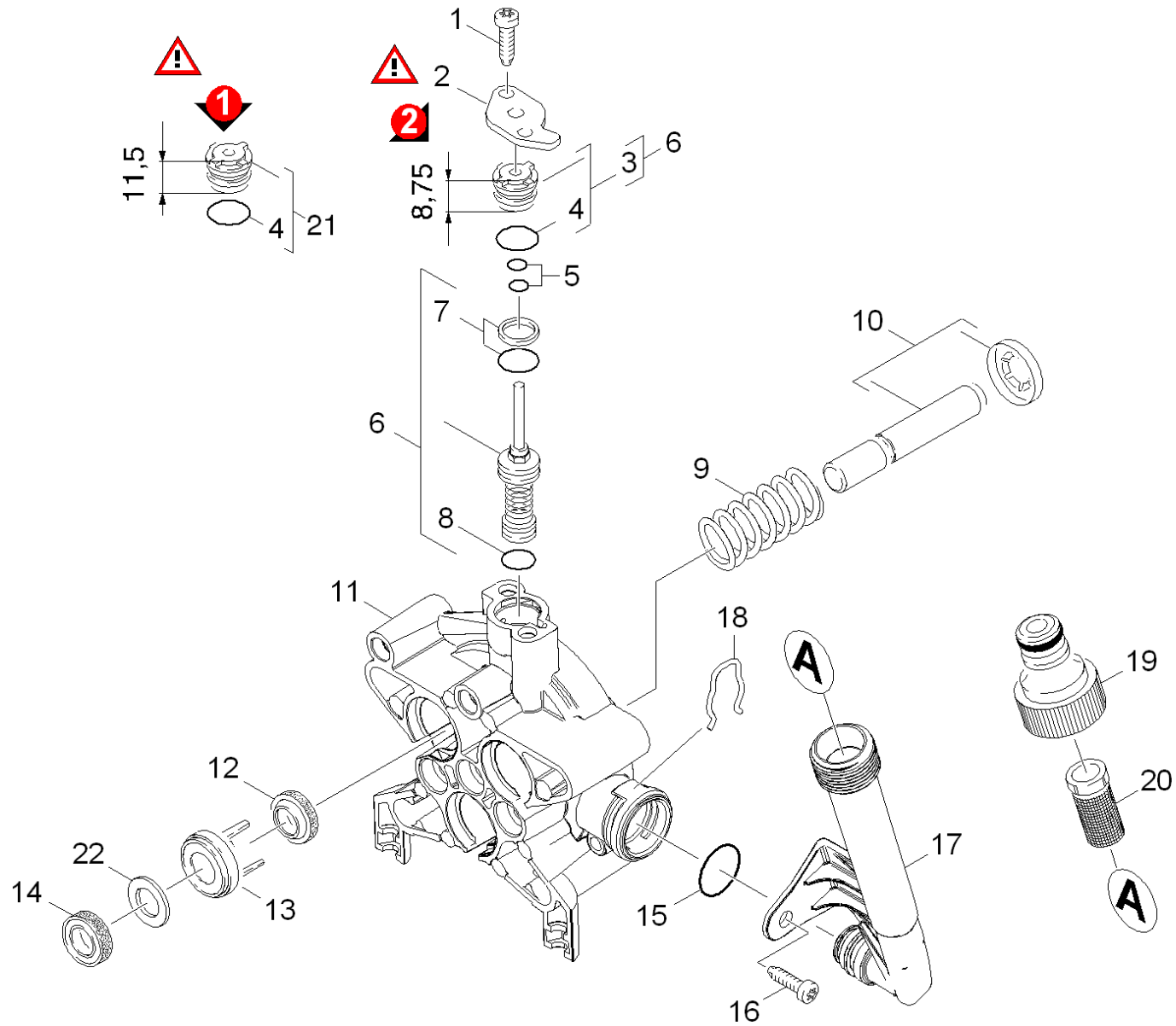


## 22 Thrust guidance

Home and Garden \ High pressure cleaner cold water \ Electric motor \ K 5 \ K 5.91M \*EU \ Spare parts list K5.91M \ Pump set \ Thrust guidance

**KÄRCHER**



## 22 Thrust guidance

Home and Garden \ High pressure cleaner cold water \ Electric motor \ K 5 \ K 5.91M \*EU \ Spare parts list K5.91M \ Pump set \ Thrust guidance



POS	Article no.	Description	Quantity	Unit
1	6.303-265.0	Self-tapping screw M6x20	2	PC
2	5.064-127.0	Cover	1	PC
3	4.030-123.0	Moulded part complete only for replaceme	1	PC
4	6.362-169.0	O-Ring seal 12,0 X 2,0	1	PC
5	6.362-852.0	O-Ring seal complete 3,69	1	PC
6	4.580-666.0	Excess-current complete D5,7 PUR	1	PC
7	6.363-174.3	O-Ring seal complete 12,42	1	PC
8	6.363-614.0	O-Ring seal 9 x 2 -NBR90	1	PC
9	5.332-391.0	Pressure spring	3	PC
10	4.553-228.0	Piston complete D12	3	PC
10	4.553-276.0	Piston complete D12	3	PC
	<b>Item text1:</b> 1.396-809.0			
11	5.060-943.0	Piston guidance	1	PC
12	6.365-393.0	Oil sealing 12x20x4/6	3	PC
13	5.116-062.0	Washer	3	PC
	<b>Item text1:</b> 1.396-809.0			
13	5.116-078.0	Washer K5..	3	PC
14	6.362-875.0	Grooved ring	3	PC
14	6.365-394.0	Grooved ring 12x20x5,3/2,8	3	PC
	<b>Item text1:</b> 1.396-809.0			
15	6.363-610.0	O-Ring seal 13 x 3 -NBR	1	PC
16	7.303-037.0	Screw M5x10 -St-P2R (In6Rd)	1	PC
17	5.128-762.0	Tube water intake	1	PC
18	5.048-915.0	Clamp	1	PC
19	6.465-031.0	Connection 3/4	1	PC
20	5.731-011.0	Fine filter	1	PC
21	4.030-069.0	Moulded part complete only for replaceme	1	PC
22	5.115-721.0	Washer	3	PC
	<b>Item text1:</b> 1.396-809.0			