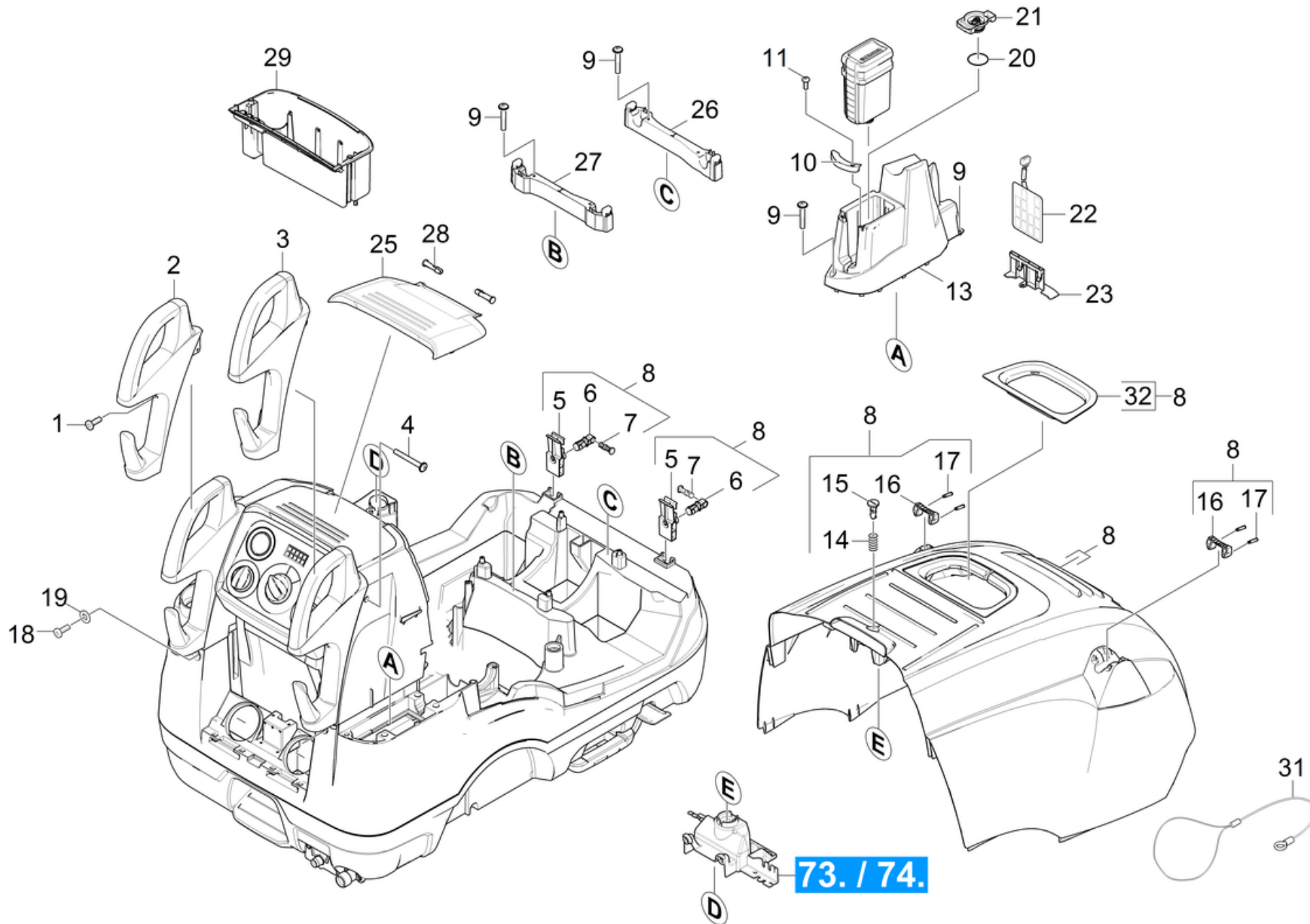


# 11 Housing top part

Professional \ High pressure cleaner hotwater \ Electric motor \ HDS 9/18-4 M \*EU-I \ Spare parts list HDS 9/18-4M \*EU-I \ Housing \ Housing top part



## 11 Housing top part

Professional \ High pressure cleaner hotwater \ Electric motor \ HDS 9/18-4 M \*EU-I \ Spare parts list HDS 9/18-4M \*EU-I \ Housing \ Housing top part

POS	Article no.	Description	Quantity	Unit
7	5.317-291.0	Bolt	2	PC
28	5.317-220.0	Bolt	2	PC
15	5.317-765.0	Bolt closure cover	1	PC
6	5.317-779.0	Bolt hinge black	2	PC
22	2.885-055.0	Circuit board	1	PC
21	5.425-495.0	CONNECTION PIECE DGT	1	PC
13	5.033-344.3	Covering cap for replacement DGT	1	PC
8	4.066-426.0	Device cover complete only for replaceme	1	PC
16	5.424-162.0	Fixing jet pipe	2	PC
24	5.033-155.0	Flap	1	PC
25	5.033-113.0	Flap	1	PC
14	5.332-236.0	Helical spring	1	PC
5	5.501-083.0	Hinge cover black	2	PC
23	5.044-889.0	Holder circuit board	1	PC
20	6.362-377.0	O-Ring seal 38,0 X 2,0-NBR 70	1	PC
17	5.314-143.0	Pin fixing jet pipe	4	PC
10	5.033-381.0	Profile	1	PC
11	7.303-106.0	Screw 4x12 -10.9-R2R (IN6RD)	1	PC
9	7.303-086.0	Screw 5x30 -10.9-R2R (K-In6Rd)	6	PC
4	7.303-209.0	Screw 6x50-10.9-R2R (K-In6Rd)	2	PC
1	7.303-069.0	Screw M 8x25-ST-R3R (IN6RD)	2	PC
18	6.303-497.0	Screw M8x35-8.8-A2E (IN6RD)	2	PC
32	5.061-455.0	Sheet metal component	1	PC
2	5.321-830.0	Sliding handle left	1	PC
3	5.321-831.3	Sliding handle right	1	PC
29	5.033-112.0	Storage compartment	1	PC
26	5.190-259.0	Strip	1	PC
27	5.190-000.0	Strip	1	PC
31	6.431-284.0	Tackle cover	1	PC
19	7.312-277.0	Washer 8-200HV-A2E ISO 7093-1	2	PC