

Spare parts list

(1.394-211.0) BV 5/1 Bp *EU

Table of contents

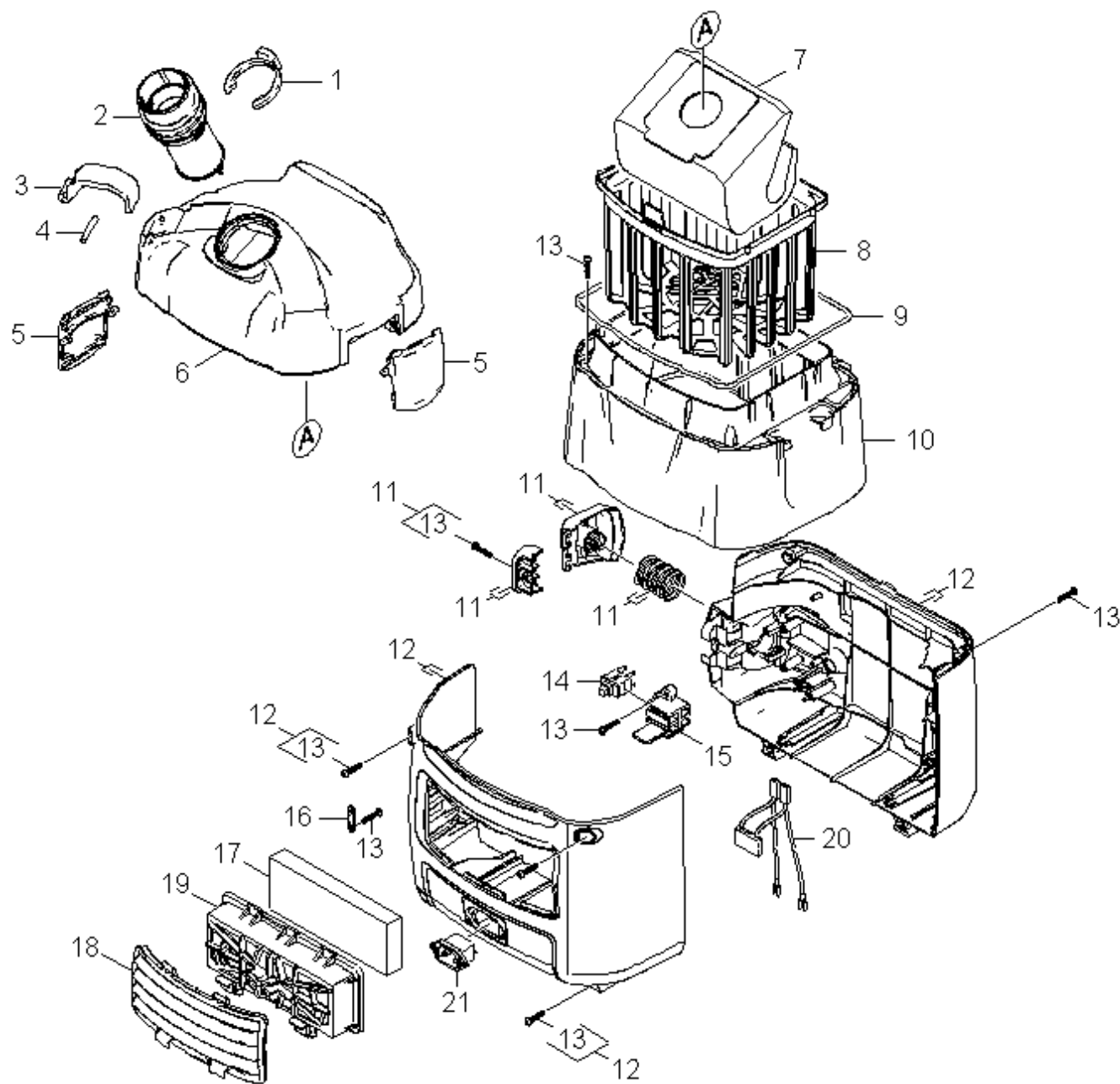
BV 5/1 Bp *EU (1.394-211.0)	3
5 Spare parts list BV 5/1 Bp (5.972-491.0)	4
10 Tank	5
20 Vacuum motor	7
30 Belt	9
40 Accessories	11

BV 5/1 Bp *EU (1.394-211.0)

POS	Article no.	Description	Quantity	Unit
5	5.972-491.0	Spare parts list BV 5/1 Bp	1.000	ST

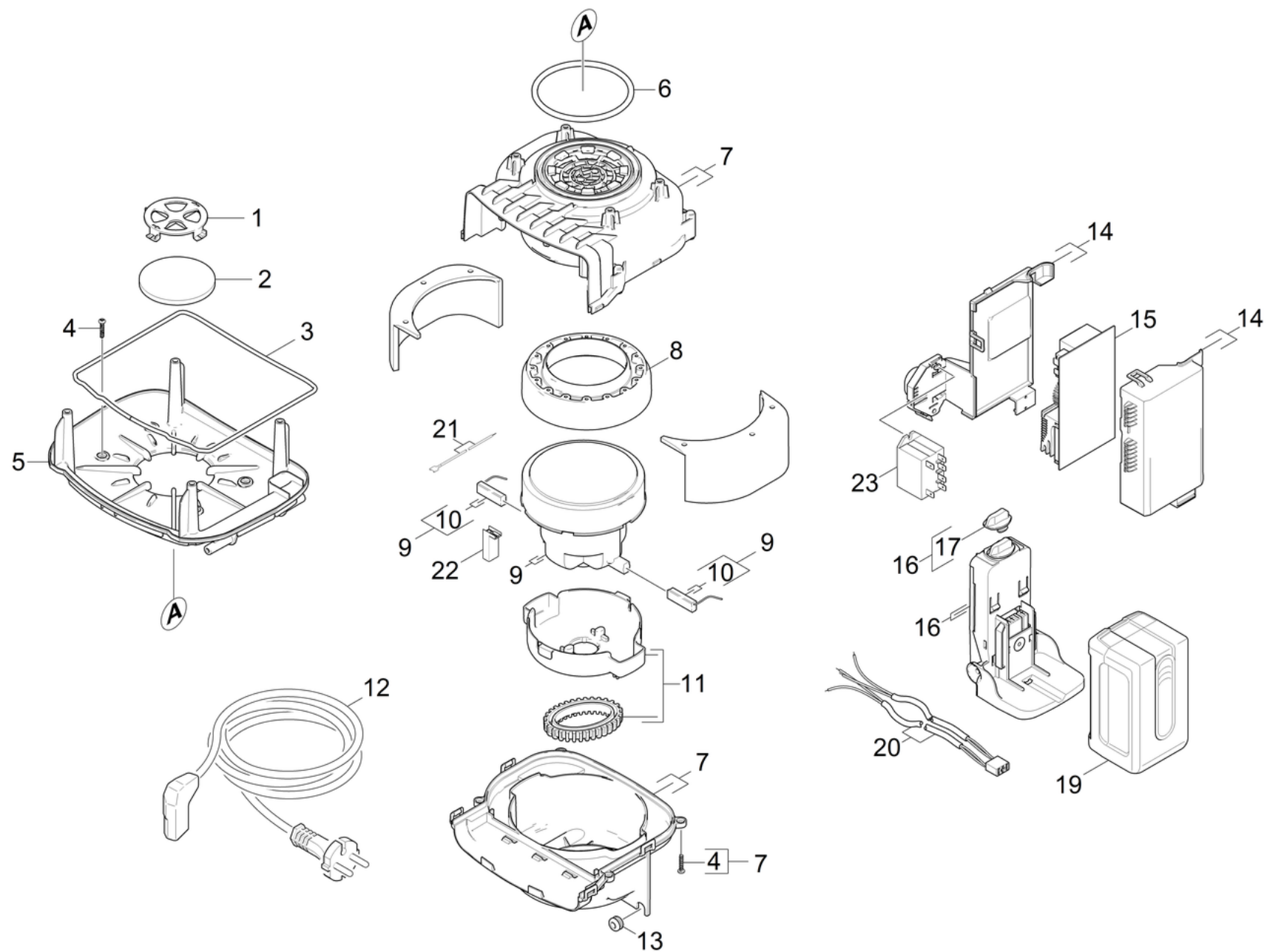
5 Spare parts list BV 5/1 Bp (5.972-491.0)

POS	Description	Quantity	Unit
40	Accessories	1.000	ST
30	Belt	1.000	ST
10	Tank	1.000	ST
20	Vacuum motor	1.000	ST



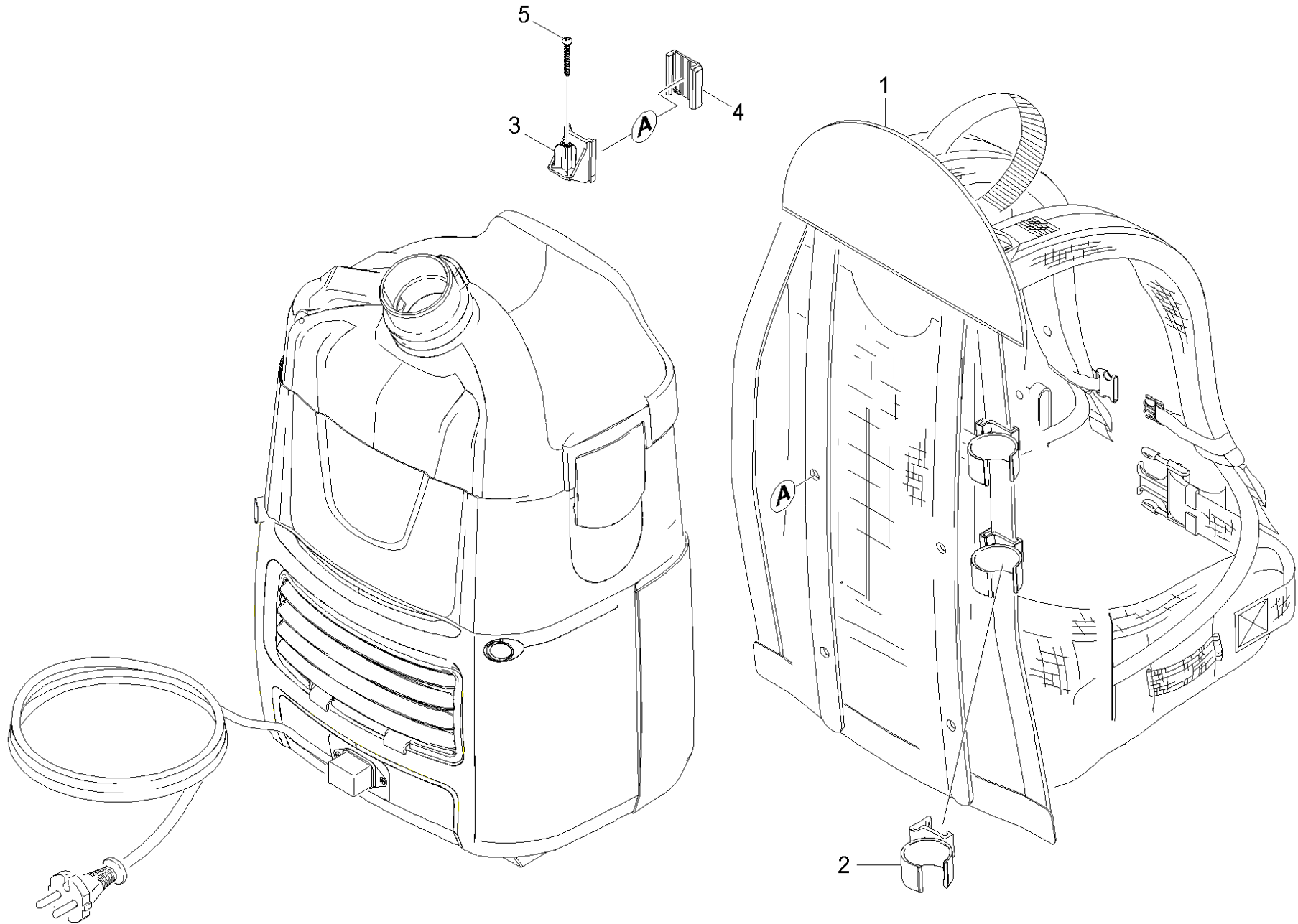
10 Tank

POS	Article no.	Description	Quantity	Unit
4	5.317-231.0	Bolt hook	1.000	ST
16	6.903-241.0	Clamp clip	1.000	ST
6	5.069-206.0	Cover RAL 9005	1.000	ST
20	9.424-048.0	Electrical small parts	1.000	ST
7	6.904-335.0	Filter bags fleece 10 Stck Kärcher	1.000	ST
19	6.414-915.0	Filter housing	1.000	ST
8	5.731-632.0	Filtering basket packaged	1.000	ST
17	6.414-917.0	Filter only for replacement	1.000	ST
18	5.033-650.0	Grate exhaust opening qusty grey RAL 703	1.000	ST
15	5.033-141.0	Holder switch	1.000	ST
3	5.037-180.0	Hook yellow	1.000	ST
12	4.605-151.0	Housing complete BV 5/1 Bp	1.000	ST
5	5.032-568.0	Locking clip	2.000	ST
1	5.343-022.0	Locking ring	1.000	ST
21	6.646-199.0	Plug	1.000	ST
11	4.324-055.0	Pushbutton complete BV 5/1	1.000	ST
13	7.303-084.0	Screw 4x25 -10.9-R2R (K-In6Rd)	15.000	ST
9	6.273-266.0	Seal string cellular rubber D4	1.000	ST
2	5.033-140.0	Suction connection	1.000	ST
14	6.630-396.0	Switch	1.000	ST
10	4.070-988.0	Tank for replacement BV 5/1 +Bp	1.000	ST



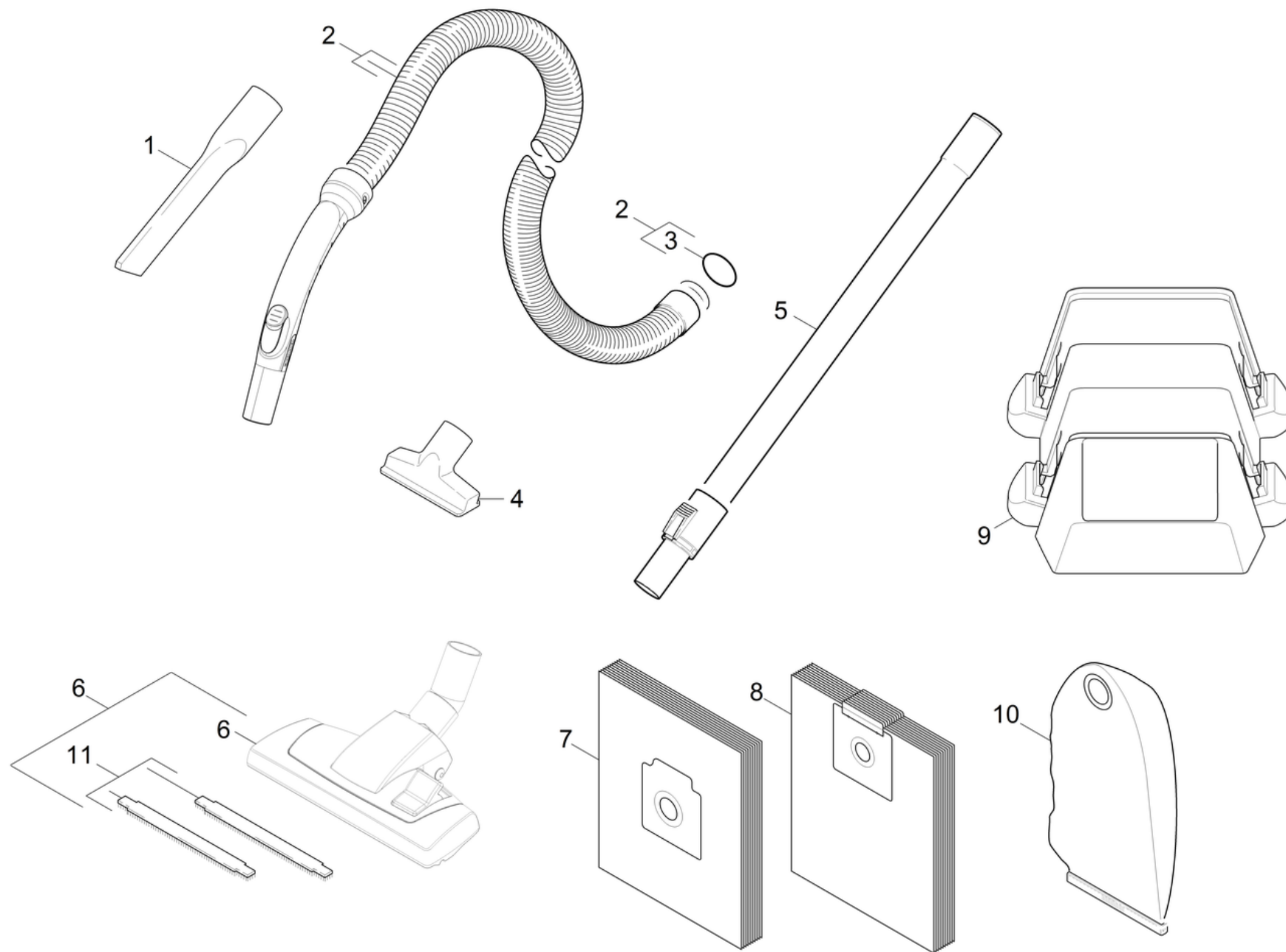
20 Vacuum motor

POS	Article no.	Description	Quantity	Unit	Remark
19	6.654-183.0	Accumulator packaged T9/1 Bp + NT9/1 Bp	2.000	ST	
16	4.471-008.0	Adapter complete	1.000	ST	
8	5.363-618.0	Bearing motor bottom T12/1	1.000	ST	
20	9.424-050.0	Cable accumulator	1.000	ST	
13	6.647-365.0	Cable gland	2.000	ST	
21	9.424-049.0	Cable turbine	1.000	ST	
10	6.610-258.0	Carbon brush set	2.000	ST	
15	4.682-093.0	Circuit board packaged *EU	1.000	ST	
2	6.414-611.0	Filter 5 St.	1.000	ZSA	
1	5.032-674.0	Grate filter motor protecting	1.000	ST	
17	5.321-907.0	Handle	1.000	ST	
14	4.605-108.0	Housing electronics kpl.	1.000	ST	
7	4.605-094.0	Housing motor complete	1.000	ST	
11	4.605-071.0	Housing turbine complete	1.000	ST	
12	9.438-547.0	Power cable 15m PVC *EU	1.000	ST	*EU
23	6.633-511.0	Relay	1.000	ST	
4	7.303-084.0	Screw 4x25 -10.9-R2R (K-In6Rd)	8.000	ST	
3	6.273-272.0	Seal string cellular rubber D2,5	1.000	ST	
6	6.273-267.0	Seal string cellular rubber D6	1.000	ST	
5	5.071-361.0	Tank bottom RAL 7012	1.000	ST	
22	6.490-268.0	Thermal switch 130°C	1.000	ST	
9	4.610-066.0	Vacuum motor complete	1.000	ST	



30 Belt

POS	Article no.	Description	Quantity	Unit
2	5.033-940.0	Clip yellow	2.000	ST
4	5.033-330.0	Covering cap	4.000	ST
1	9.411-061.0	Frame	1.000	ST
3	5.044-881.0	Holder frame	4.000	ST
5	7.303-129.0	Screw 4x16 -10.9-R2R (K-In6Rd)	2.000	ST



40 Accessories

POS	Article no.	Description	Quantity	Unit	Remark
6	6.907-410.0	Combination nozzle packaged basalt grey	1.000	ST	
1	6.903-403.0	Crevice nozzle DN32	1.000	ST	
10	6.904-425.0	Filter bag cloth	1.000	ST	
8	6.904-335.0	Filter bags fleece 10 Stck Kärcher	1.000	ST	
3	6.363-182.0	O-Ring seal 30,2 x 3,0	1.000	ST	
7	6.904-403.0	Paper filtering bag Basic 10 Stck.	1.000	ST	
9	6.654-204.0	Rechargeable battery changer quadruple *	1.000	ST	*EU
2	9.418-507.0	Suction hose complete	1.000	ST	
5	6.903-524.0	Telescopic suction tube	1.000	ST	
11	6.906-698.0	Thread clipper	1.000	ST	
4	6.903-402.0	Upholstery nozzle DN32	1.000	ST	