

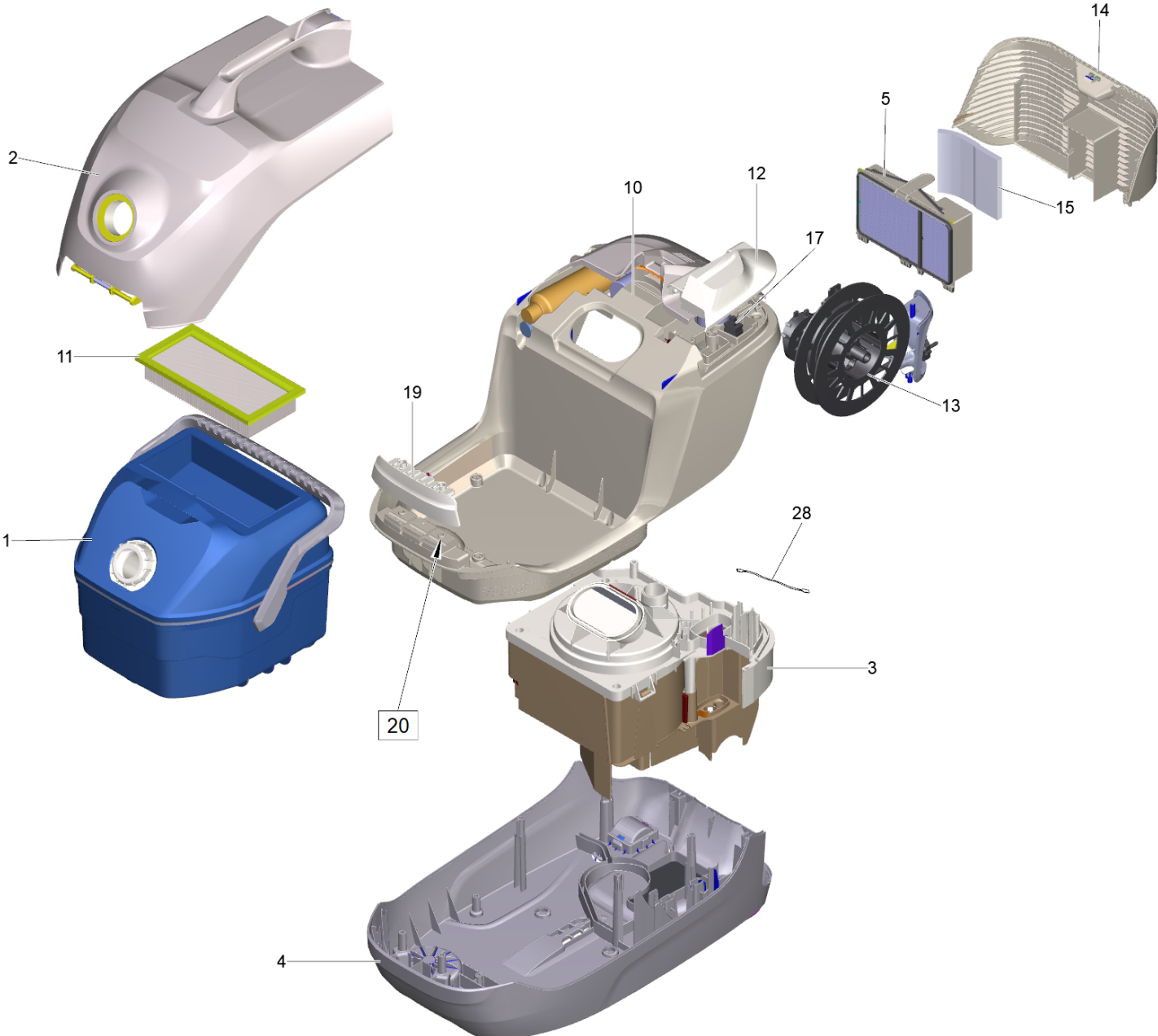
## **Spare parts list**

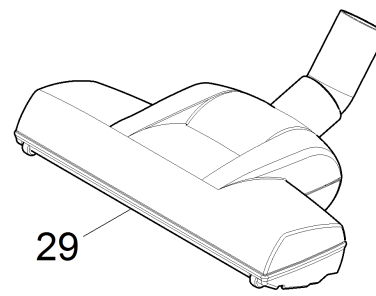
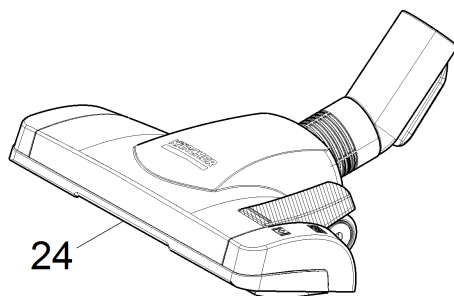
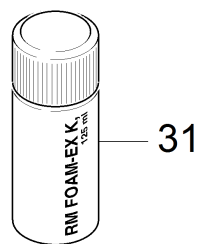
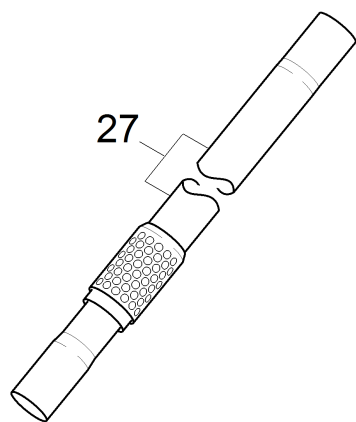
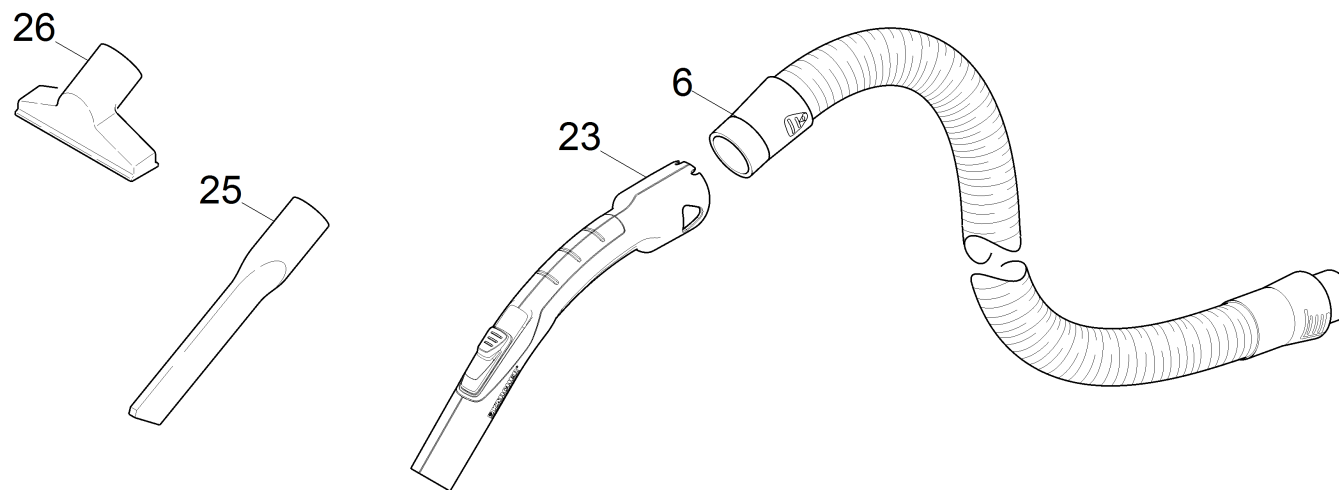
(1.195-242.0) DS 6 Premium Plus (white) \*EU

## Table of contents

---

DS 6 Premium Plus (white) *EU (1.195-242.0)	3
1 Water filter complete for replacement (4.195-223.0)	6
2 Front flap white complete	8
9000 Slider complete for replacement (4.195-224.0)	10
3 Motor unit	12
1 Air circulation complete for replacement (4.195-226.0)	14
4 Housing bottom part for replacement (4.195-227.0)	16
10 Upper housing set replacement DS 6.000 (4.195-255.0)	18





DS 6 Premium Plus (white) \*EU (1.195-242.0)

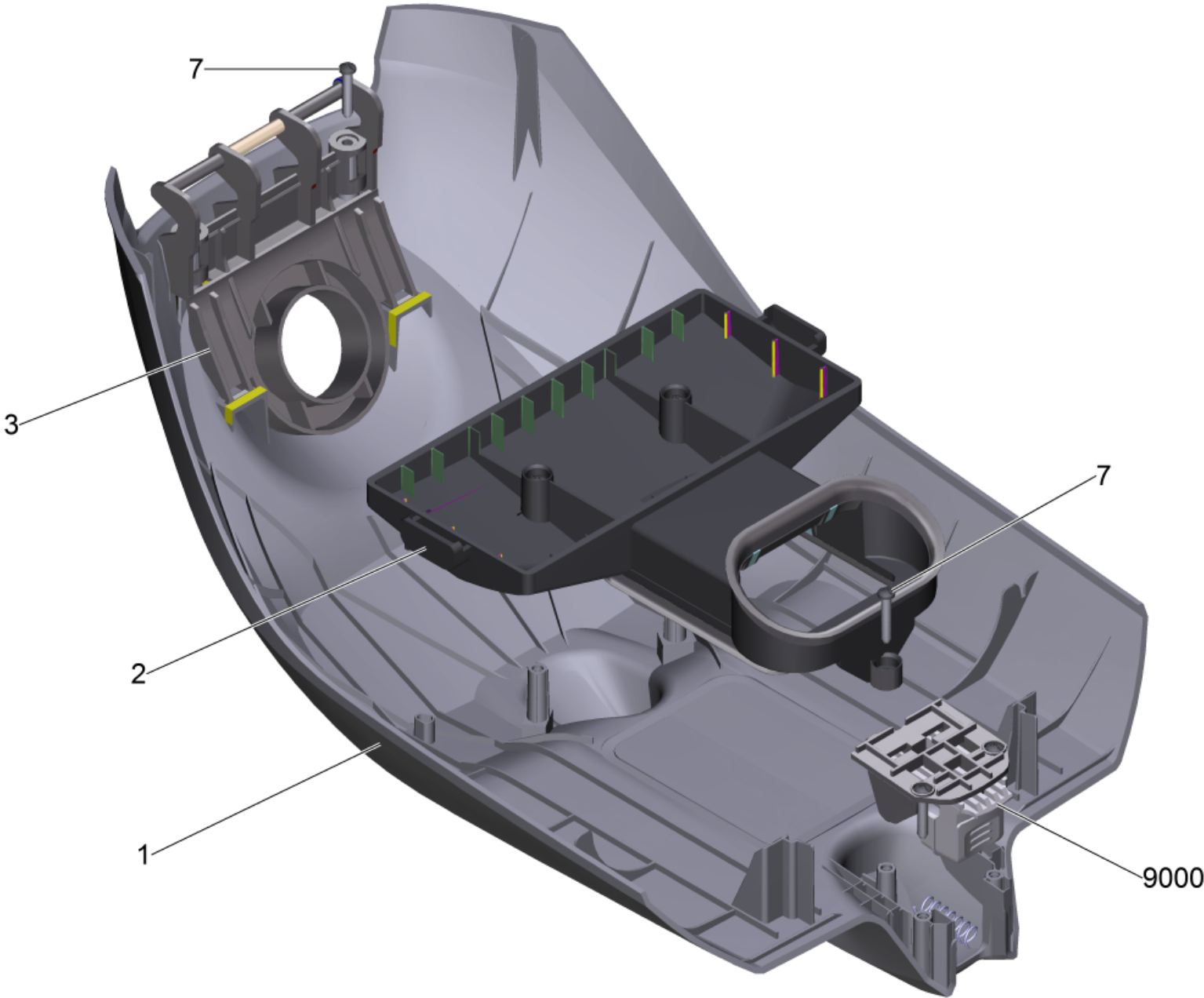
POS	Article no.	Description	Quantity	Unit
1	4.195-223.0	Water filter complete for replacement	1	PC
2		Front flap white complete	1	PC
3		Motor unit	1	PC
4	4.195-227.0	Housing bottom part for replacement	1	PC
5	2.860-273.0	Filter HEPA 13 DS	1	PC
6	6.901-058.0	Suction hose complete	1	PC
10	4.195-255.0	Upper housing set replacement DS 6.000	1	PC
11	6.414-631.0	Intermediate filter DS	1	PC
12	4.195-233.0	Pushbutton on off DS 6.000	1	PC
13	4.195-229.0	Cable automatic complete for replacement	1	PC
14	4.195-236.0	Air exhaust louver for replacement DS 6.	1	PC
15	6.195-241.0	Insulation mat exhaust air flap DS 6.000	1	PC
17	6.630-437.0	Switch on/off	1	PC
19	4.195-235.0	Bearing for replacement DS 6.000	1	PC
20	7.303-096.0	Screw 4x22-ST-10.9-R2R (IN6RD)	5	PC
21	5.332-169.0	Pressure spring	1	PC
23	4.195-247.0	Hand grip complete replacement	1	PC
24	4.195-304.0	Floor tool for replacement RD266	1	PC
25	5.195-196.0	Crevice nozzle	1	PC
26	6.906-622.0	Upholstery nozzle	1	PC
27	6.902-127.0	Telescopic tube	1	PC
28	6.195-249.0	Cable DS 6.000	2	PC
29	6.907-376.0	Turbo brush	1	PC
31	6.295-873.0	RM FoamStop neutrally 125ml	1	PC



1 Water filter complete for replacement (4.195-223.0)

---

<b>POS</b>	<b>Article no.</b>	<b>Description</b>	<b>Quantity</b>	<b>Unit</b>
2	5.195-366.0	Seal baffle plate	1	PC
6	5.195-350.0	Seal box water	1	PC

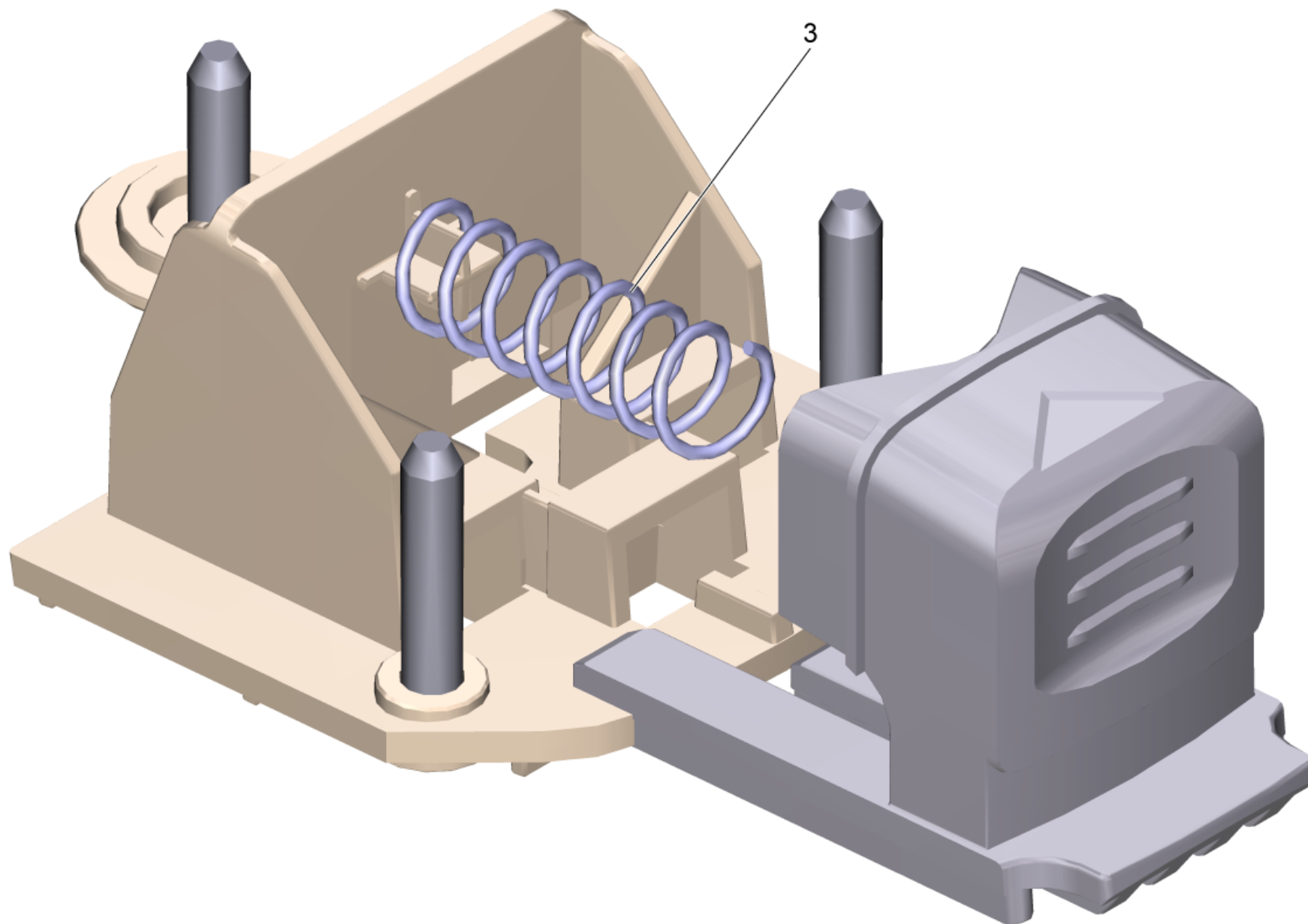




## 2 Front flap white complete

---

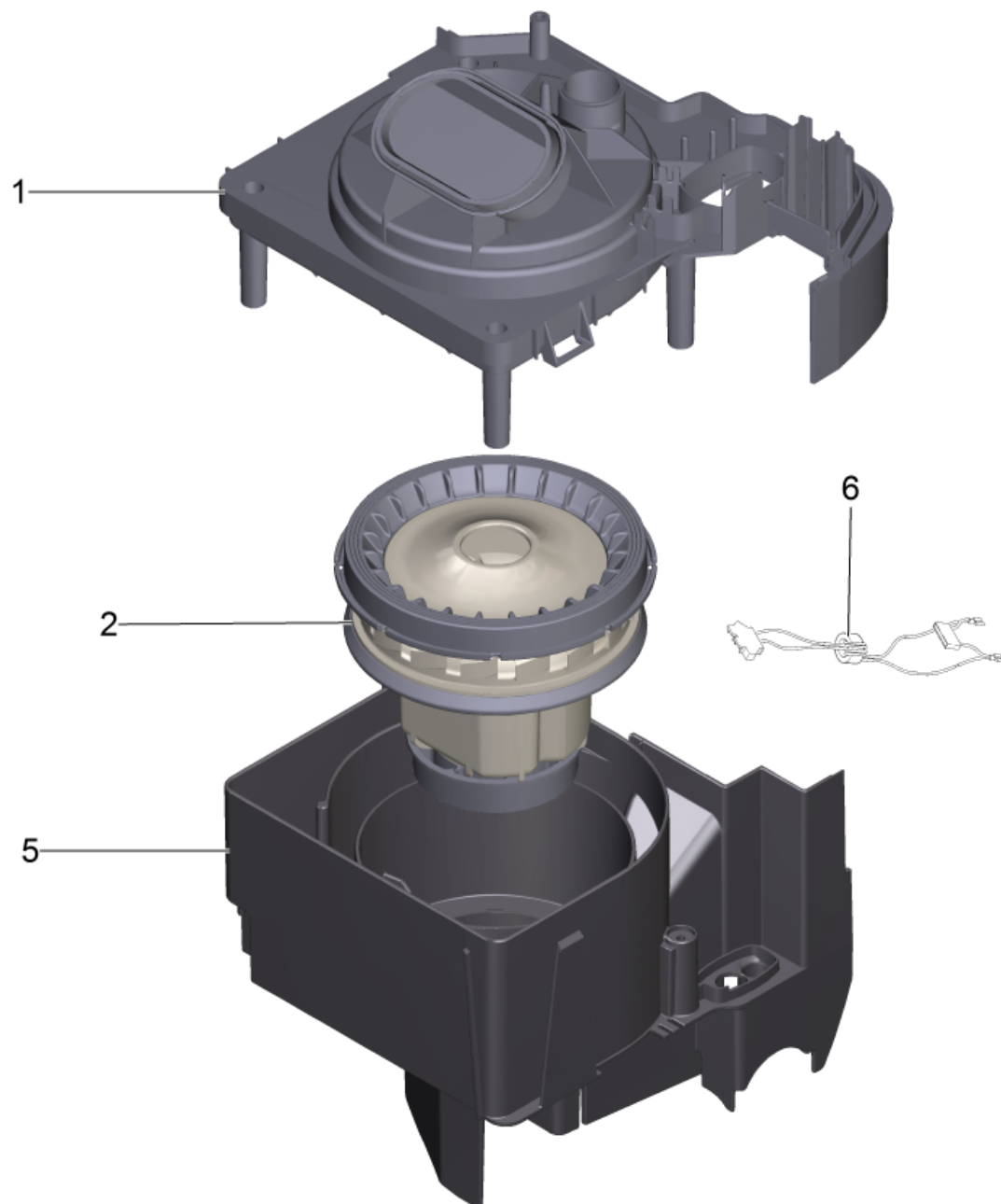
POS	Article no.	Description	Quantity	Unit
1	4.195-303.0	Front flap DS 6 Premium for replacement	1	PC
2	5.195-368.0	Air duct	1	PC
3	5.195-367.0	Stop suction hose	1	PC
7	7.303-096.0	Screw 4x22-ST-10.9-R2R (IN6RD)	7	PC
9000	4.195-224.0	Slider complete for replacement	1	PC



9000 Slider complete for replacement (4.195-224.0)

---

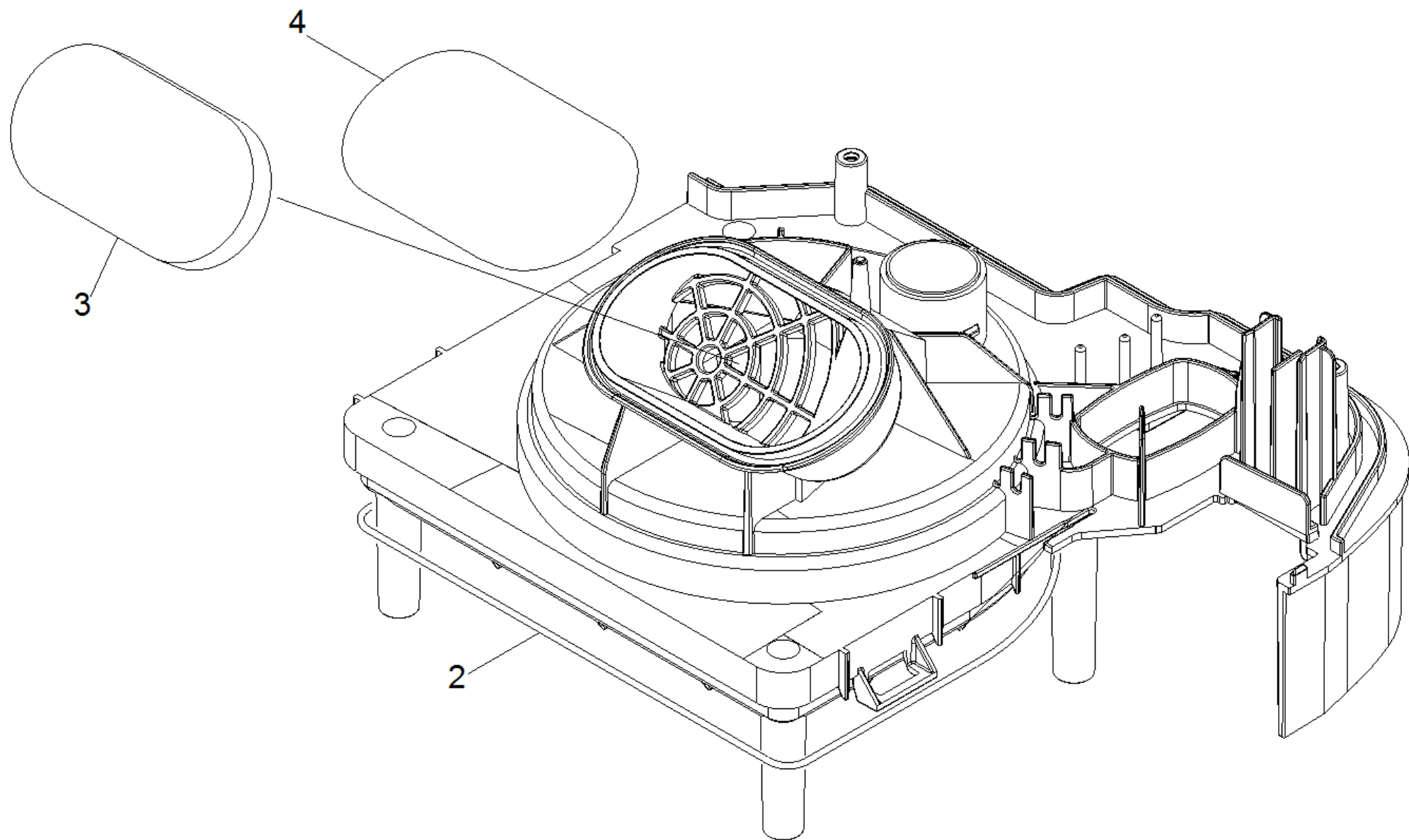
<b>POS</b>	<b>Article no.</b>	<b>Description</b>	<b>Quantity</b>	<b>Unit</b>
3	5.332-169.0	Pressure spring	1	PC



### 3 Motor unit

---

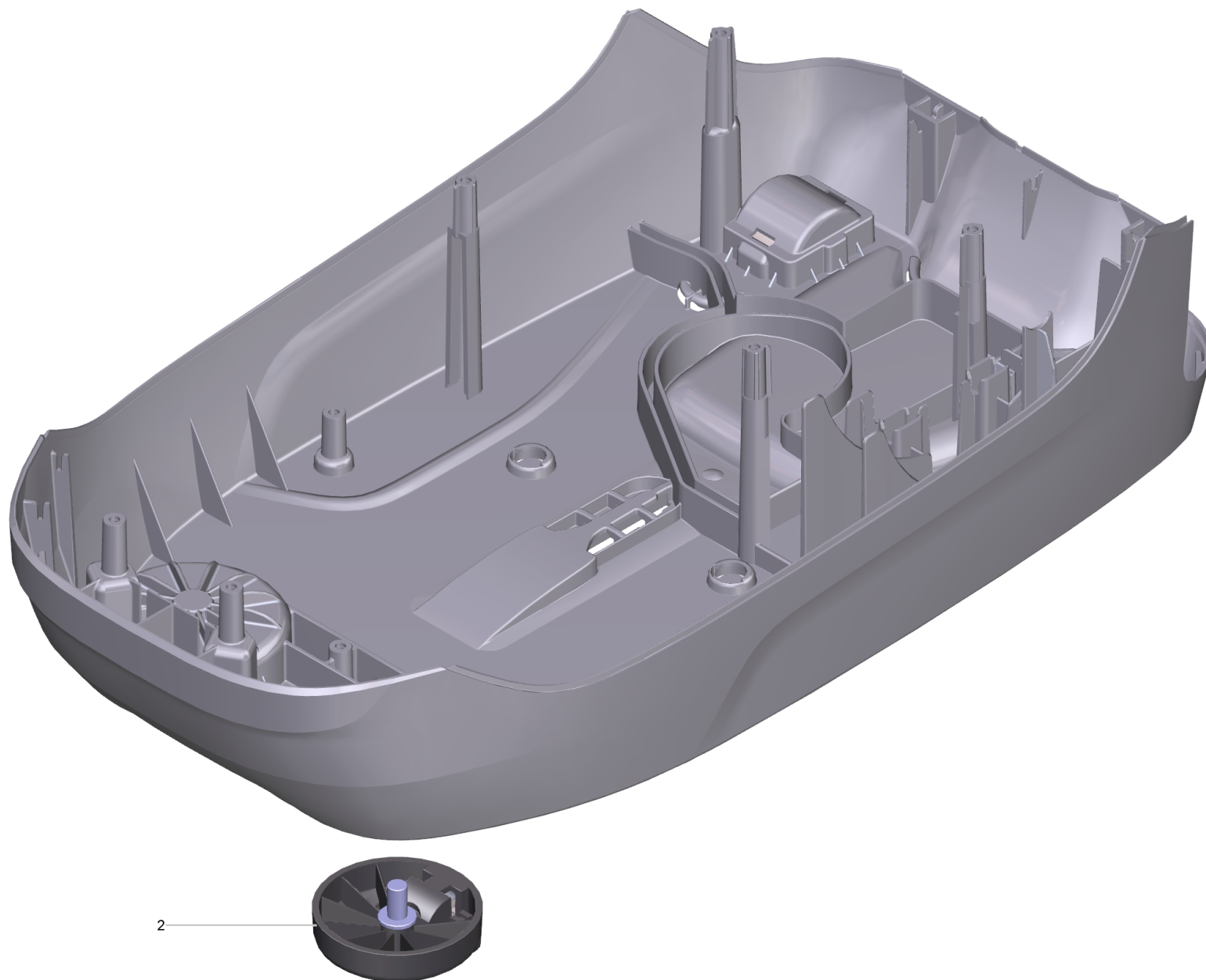
<b>POS</b>	<b>Article no.</b>	<b>Description</b>	<b>Quantity</b>	<b>Unit</b>
1	4.195-226.0	Air circulation complete for replacement	1	PC
2	4.195-298.0	Vacuum motor 650W	1	PC
5	5.195-370.0	Motor mount	1	PC
6	4.195-231.0	Cable with capacitor	1	PC



1 Air circulation complete for replacement (4.195-226.0)

---

<b>POS</b>	<b>Article no.</b>	<b>Description</b>	<b>Quantity</b>	<b>Unit</b>
2	5.195-376.0	Seal string DS 6.000	1	PC
3	6.195-239.0	Foam insert air circulation DS 6.000	1	PC
4	5.195-398.0	Seal air circulation DS 6.000	1	PC



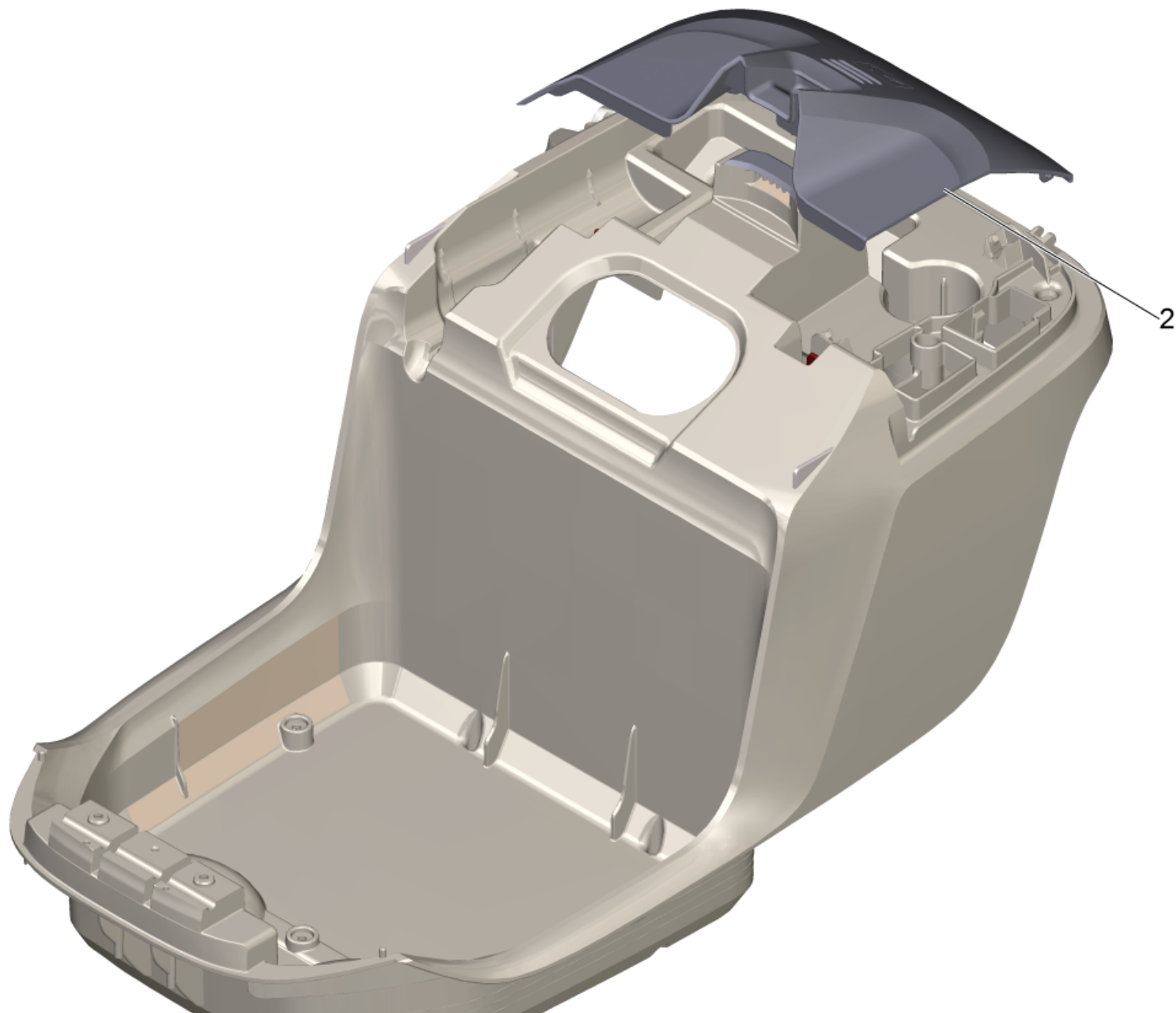


4 Housing bottom part for replacement (4.195-227.0)

---

<b>POS</b>	<b>Article no.</b>	<b>Description</b>	<b>Quantity</b>	<b>Unit</b>
2	4.195-220.0	Castor complete black	2	PC

---



10 Upper housing set replacement DS 6.000 (4.195-255.0)

---

<b>POS</b>	<b>Article no.</b>	<b>Description</b>	<b>Quantity</b>	<b>Unit</b>
2	5.195-198.3	Accessories flap for replacement DS 6.00	1	PC