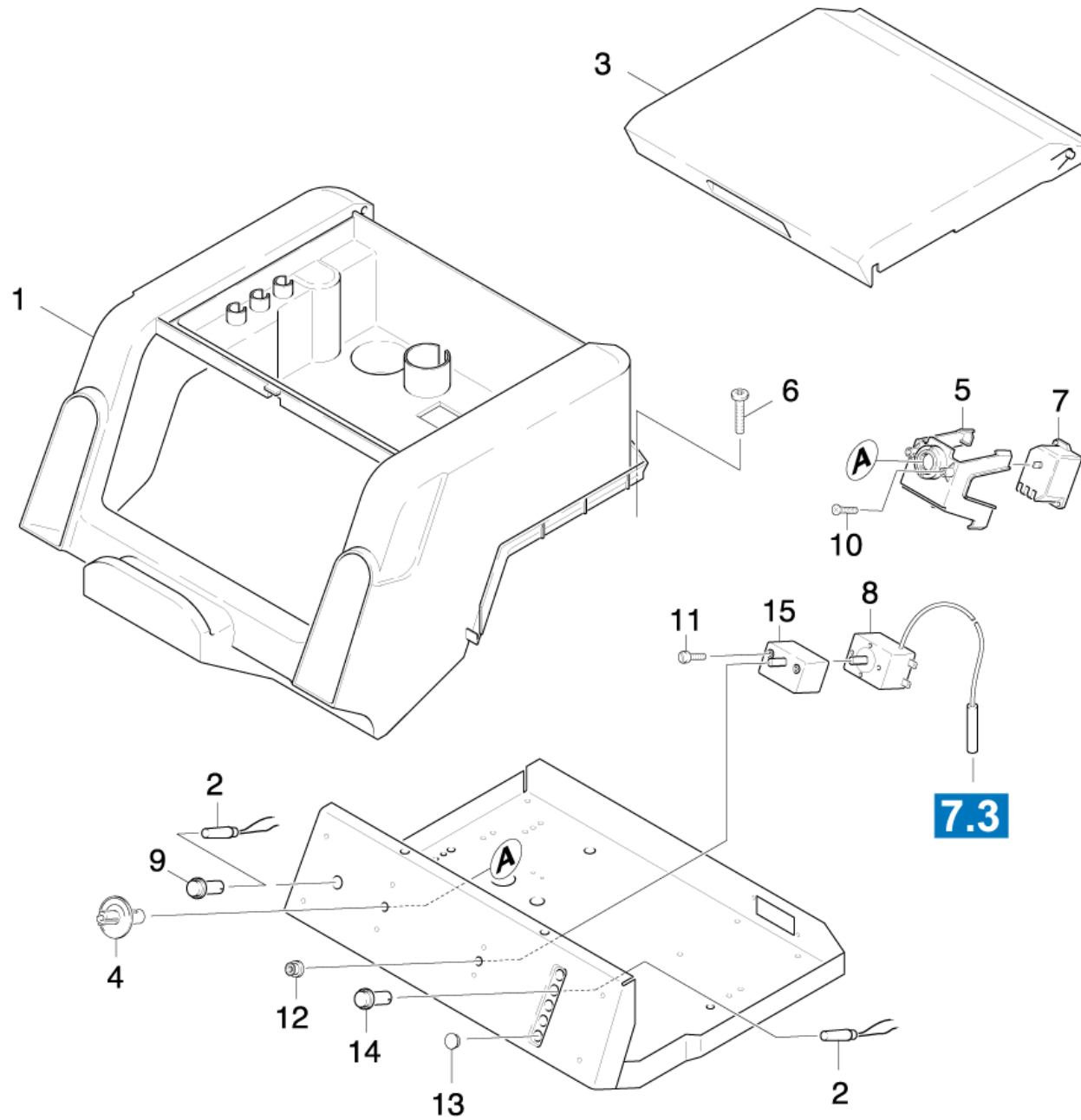


61 Top part

Professional \ High pressure cleaner hotwater \ Electric motor \ HDS 695 M ECO*EU-II \ Spare parts list HDS 695 M ECO \ Electric control box \ Top part



61 Top part

Professional \ High pressure cleaner hotwater \ Electric motor \ HDS 695 M ECO*EU-II \ Spare parts list HDS 695 M ECO \ Electric control box \ Top part

KÄRCHER

POS	Article no.	Description	Quantity	Unit
10	7.303-125.0	Countersunk screw 4x16 -10.9-R2R (In6Rd)	2	PC
1	5.067-198.0	Cover	1	PC
3	5.031-914.0	Flap	1	PC
5	5.044-412.0	Holder (CONDOR-SCHAER)	1	PC
9	6.651-421.0	Lens housing green	1	PC
14	6.651-316.0	Lens housing red	3	PC
7	6.631-190.0	Motor protecting switch	1	PC
	Item text1: 1.025-315.0 /-316.0 /-351.0 /-352.0			
7	6.631-196.0	Motor protecting switch	1	PC
	Item text1: / 1.025-318.0 / -319.0 / -320.0			
	Item text2: / -324.0			
7	6.631-428.0	Motor protecting switch -22-27A	1	PC
	Item text1: / 1.025-311.0 / -312.0 / -317.0 / -325.0			
13	6.368-076.0	Ornamental hub cap D10/D12	2	PC
2	4.651-026.0	Pilot lamp only for replacement	4	PC
12	5.365-152.0	Profile gasket	1	PC
11	7.306-236.0	Screw M4x6 -8.8 (In6Rd)	2	PC
6	7.303-045.0	Screw M5x55 -St-ZNBHL (In6Rd)	2	PC
4	5.100-335.0	Shaft switch CONDOR	1	PC
15	6.630-368.0	Switch	1	PC
8	6.686-173.0	Thermostat	1	PC
8	6.686-414.0	Thermostat	1	PC
	Item text1: 1.025-351.0 /-352.0			