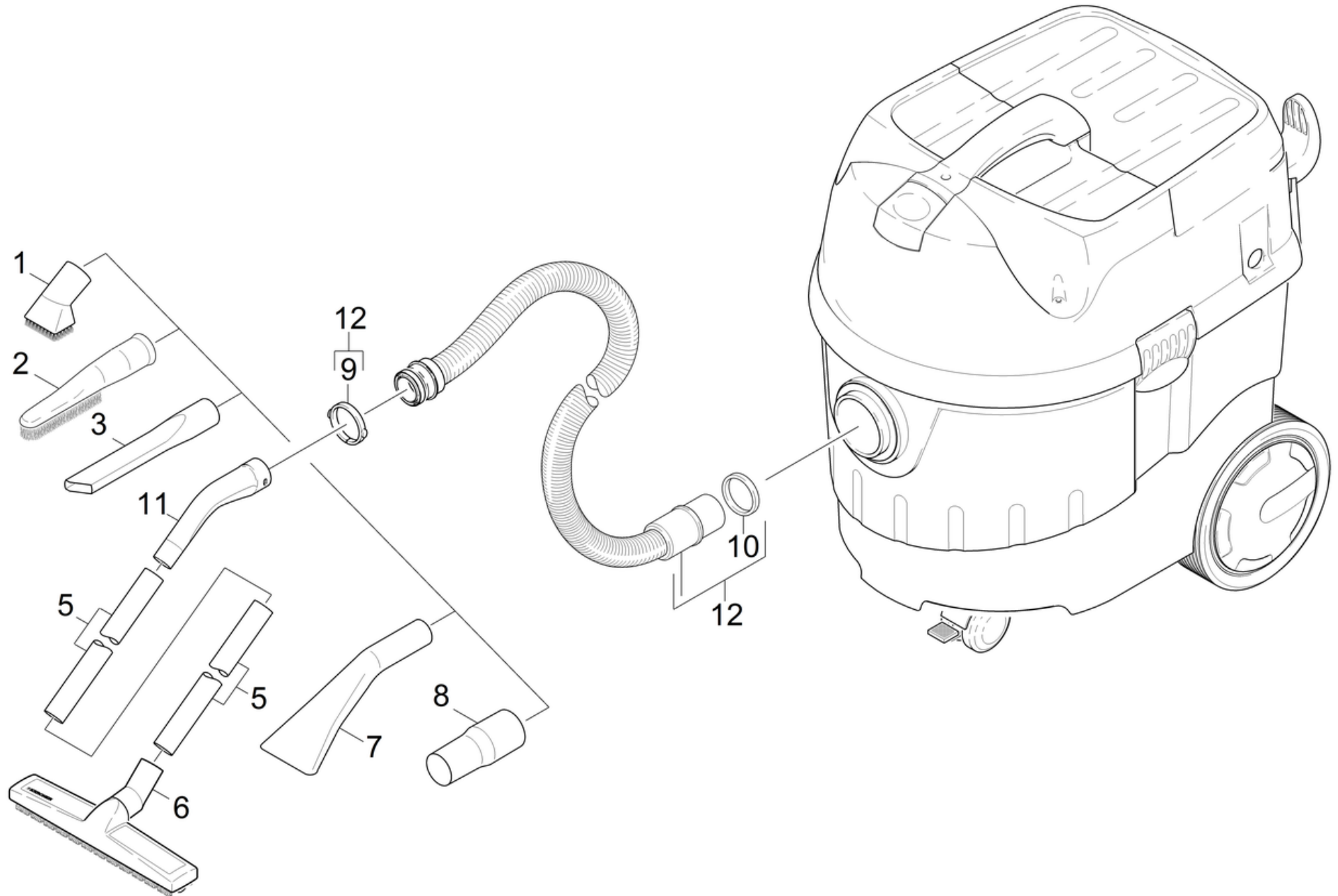


10 Bakery set

Professional \ Vacuum cleaner \ Wet-/dry vacuum cleaner \ NT 40/1 Tact Bs *EU \ Bakery set C-DN40 \ Bakery set



10 Bakery set

Professional \ Vacuum cleaner \ Wet-/dry vacuum cleaner \ NT 40/1 Tact Bs *EU \ Bakery set C-DN40 \ Bakery set

KÄRCHER

POS	Article no.	Description	Quantity	Unit	Remark
1	6.903-862.0	Suction brush DN35	1	PC	
2	2.863-221.0	Suction brush kit WD 2pc.	1	PC	
3	2.889-160.0	Crevice nozzle wet and dry packaged NW40	1	PC	225mm
3	6.903-033.0	Crevice nozzle DN40	1	PC	300mm
5	6.900-275.0	Suction tube DN40-0,55m	2	PC	
6	6.907-408.0	Floor tool packaged basalt grey DN40	1	PC	
7	6.906-108.0	Car nozzle DN35	1	PC	
8	5.407-109.0	Sleeve with cone C40 / DN35	1	PC	
9	5.031-905.0	Tension ring C40	1	PC	
10	6.273-009.0	Joint ring EPDM	1	PC	
11	5.032-427.0	Elbow C40	1	PC	
12	6.907-363.0	Suction hose electrically conducting C40	1	PC	