

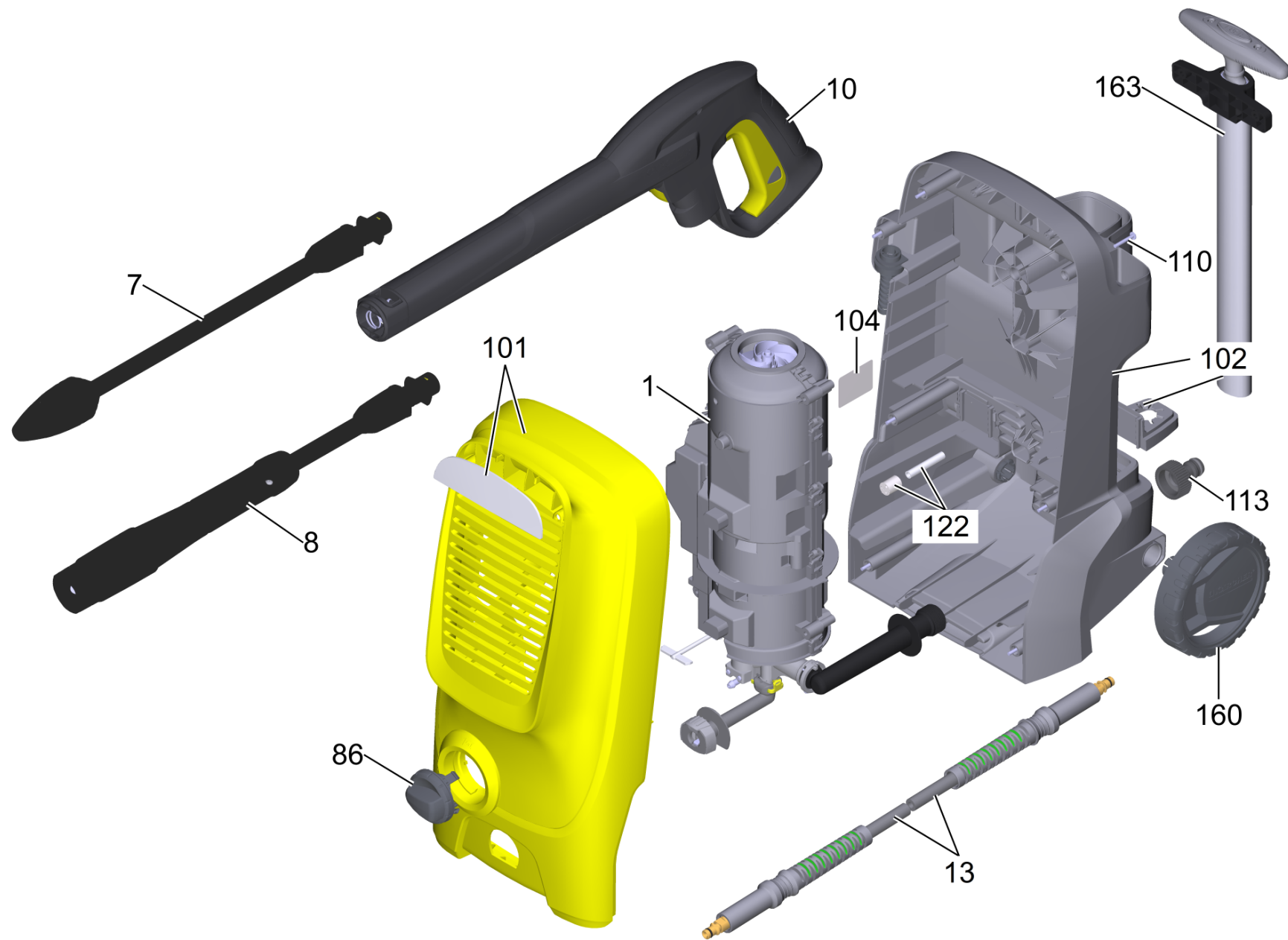
## **Spare parts list**

(1.950-700.0) K 5 Classic \*EU

## Table of contents

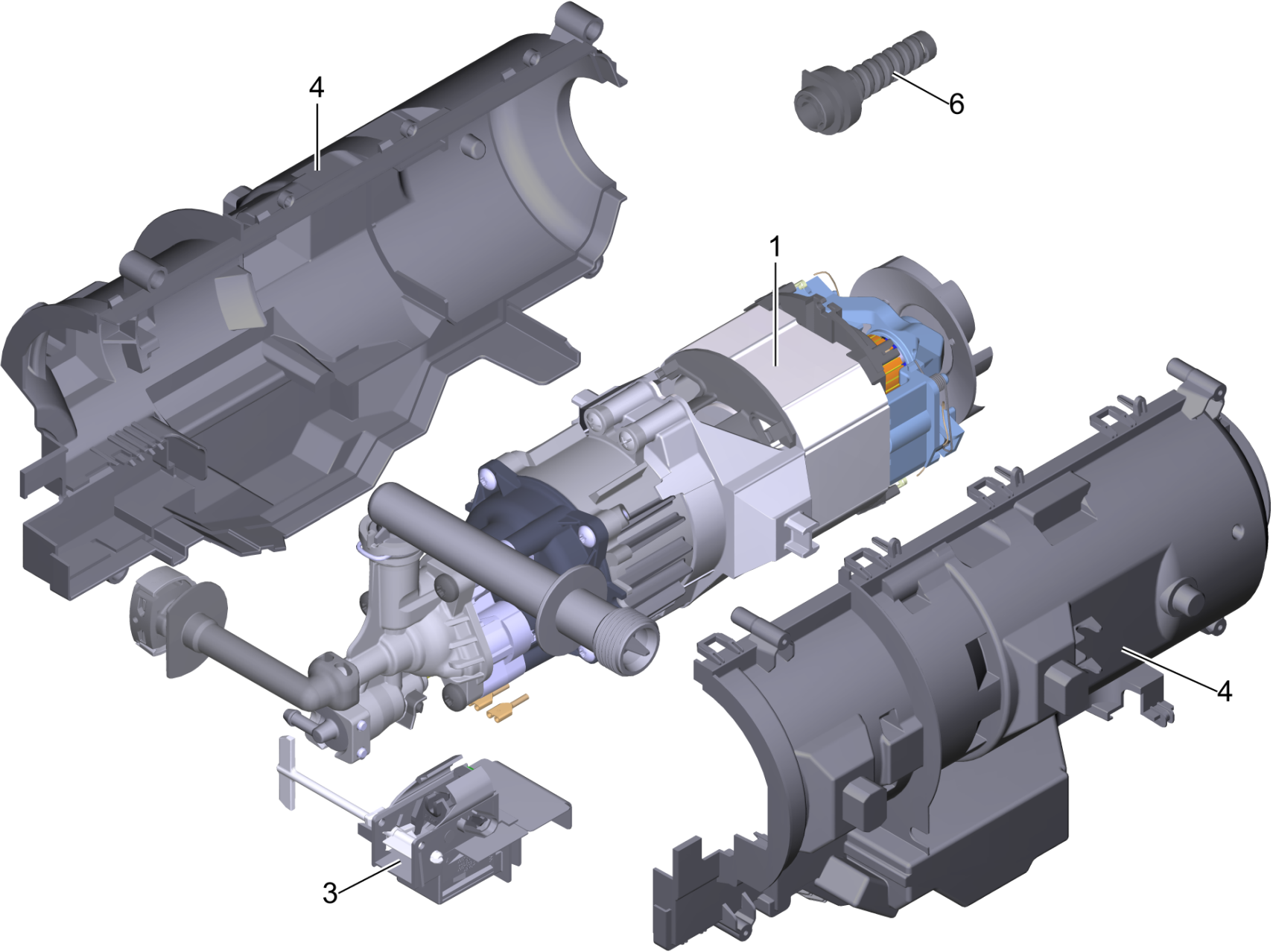
---

K 5 Classic *EU (1.950-700.0)	3
1 Pump cpl. KP-2/0-AL-UM*EU	5
1 KP 2/0-AI-UM*EU-230/50-6,7/12-D60-U	7
103 Gear complete 9,2° G2/2 (KBT) AI	9
105 Pump head complete KP-2/0-AI-UM-w/o SV	11
1 Housing complete KP-2/0-AI-UM-w/o SV (4.551-354.3)	13
68 Valve chemistry complete (4.101-213.0)	15
2 Piston guidance complete KP 2/0-AI-UM (4.060-187.3)	16
3 Cylinder head complete (4.550-056.3)	18
106 Inlett fitting for replacement (4.101-217.0)	20
107 High-pressure outlet for replacement (4.101-215.0)	22
110 Spare parts set planetary carrier (4.101-210.0)	24
3 Switch cpl. RV 470nF f. K5 Classic *EU	26
7 DB 145 rotor nozzle packaged (2.642-728.0)	28
8 VP 145 Vario Power Jet (packaged) (2.642-725.0)	30
10 G 180 Q Trigger gun Quick Connect (2.642-889.0)	32
13 H 9 Q high pressure hose Quick Connect (2.641-721.0)	34
101 Spare parts set housing front (4.101-218.0)	36
122 Filter with hose RM 0,70 *(2007)	37



## K 5 Classic \*EU (1.950-700.0)

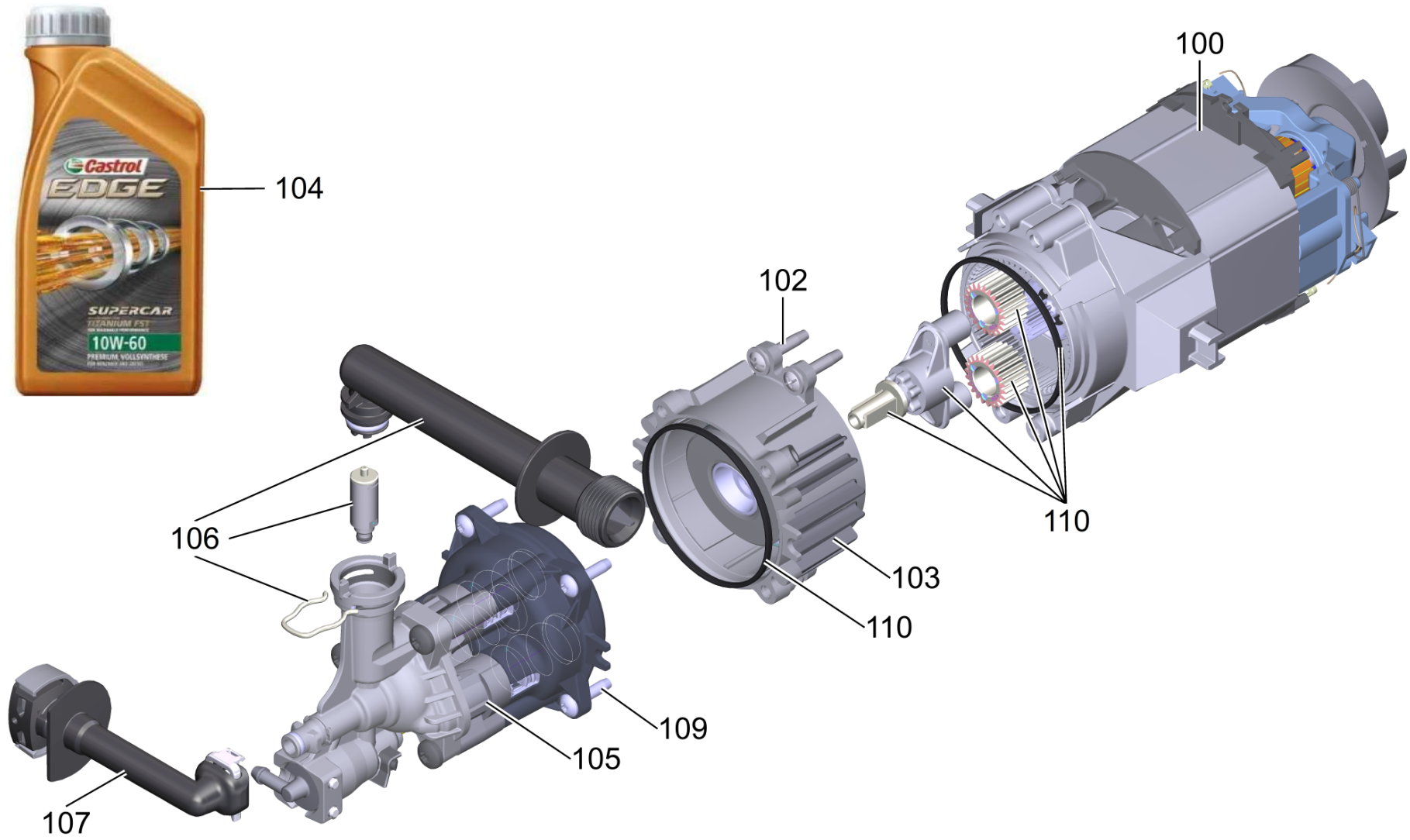
POS	Article no.	Description	Quantity	Unit
113	6.465-031.0	Connection 3/4	1	PC
7	2.642-728.0	DB 145 rotor nozzle packaged	1	PC
		<b>Item text2:</b> 13205500		
122		Filter with hose RM 0,70 *(2007)	1	PC
		<b>Item text2:</b> 13205500		
10	2.642-889.0	G 180 Q Trigger gun Quick Connect	1	PC
		<b>Item text2:</b> 13205500		
13	2.641-721.0	H 9 Q high pressure hose Quick Connect	1	PC
		<b>Item text2:</b> 13205500		
86	9.038-808.0	Handhold switch	1	PC
163	4.322-065.3	Handhold telescope with holder	1	PC
1		Pump cpl. KP-2/0-AL-UM*EU	1	PC
110	9.086-221.0	Screw ATF 4.1x22	9	PC
		<b>Item text2:</b> 13205500		
101	4.101-218.0	Spare parts set housing front	1	PC
		<b>Item text2:</b> 13205500		
102	4.101-216.0	Spare parts set housing rear	1	PC
8	2.642-725.0	VP 145 Vario Power Jet (packaged)	1	PC
104	5.387-620.0	Warning sign new	1	PC
		<b>Item text2:</b> 13205500		
160	5.515-357.0	Wheel D120 K2 Modul-Range	2	PC



1 Pump cpl. KP-2/0-AL-UM\*EU

---

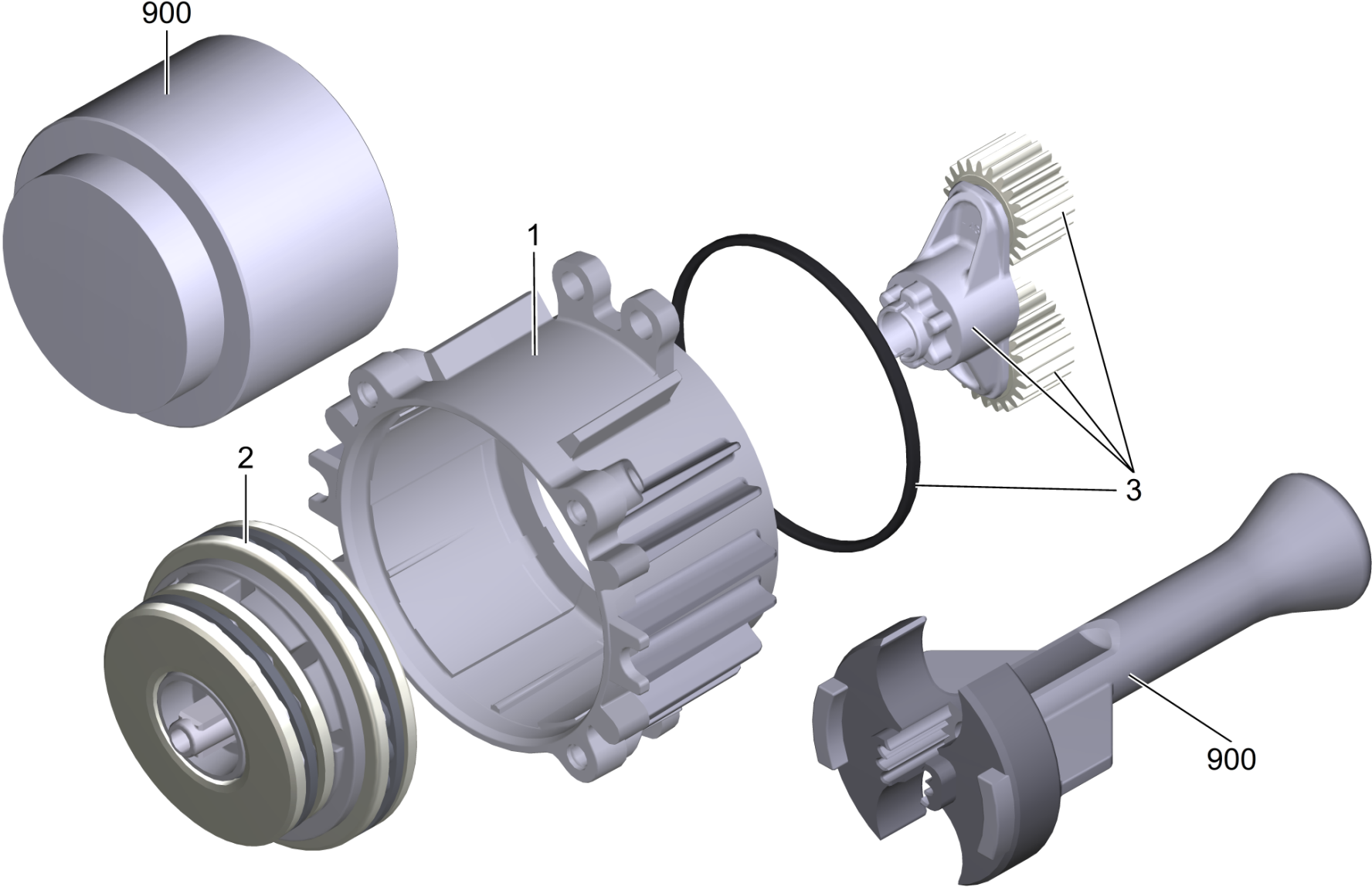
POS	Article no.	Description	Quantity	Unit
6	6.651-827.3	Cable with plug *EU (2x1 +FR/295) -	1	PC
1		KP 2/0-AI-UM*EU-230/50-6,7/12-D60-U	1	PC
4	4.101-214.0	Spare parts set motor housing	1	PC
3		Switch cpl. RV 470nF f. K5 Classic *EU	1	PC



## 1 KP 2/0-AI-UM\*EU-230/50-6,7/12-D60-U

POS	Article no.	Description	Quantity	Unit
104	6.288-112.0	Engine oil 10W-60, 1L	1	PC
	<b>Item text2:</b> 35328800			
104	6.288-112.0	Engine oil 10W-60, 1L	1	PC
103		Gear complete 9,2° G2/2 (KBT) Al	1	PC
107	4.101-215.0	High-pressure outlet for replacement	1	PC
106	4.101-217.0	Inlett fitting for replacement	1	PC
100	6.613-610.3	Motor UM93/48/1,5-230-G2/2	1	PC
	<b>Item text2:</b> 35328800			
105		Pump head complete KP-2/0-AI-UM-w/o SV	1	PC
	<b>Item text2:</b> 35328800			
60	4.580-145.3	Safety valve complete grey (SV5/R5)	1	PC
102	6.303-260.0	Screw 5x26,4	4	PC
	<b>Item text2:</b> 35328800			
109	6.303-519.0	Screw M5x25-10.9-A2E (IN6RD/T25)	4	PC
110	4.101-210.0	Spare parts set planetary carrier	1	PC

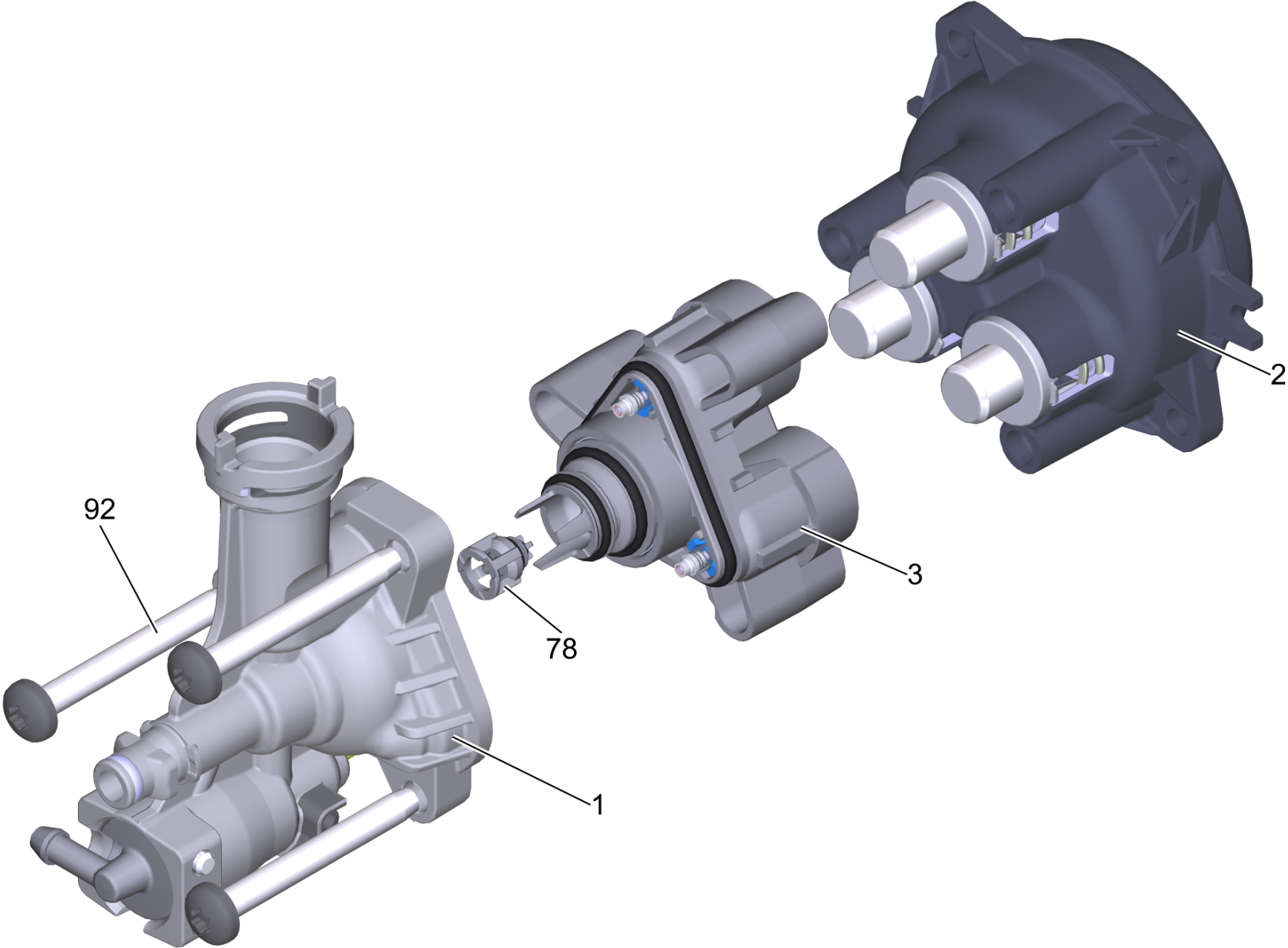




## 103 Gear complete 9,2° G2/2 (KBT) AI

---

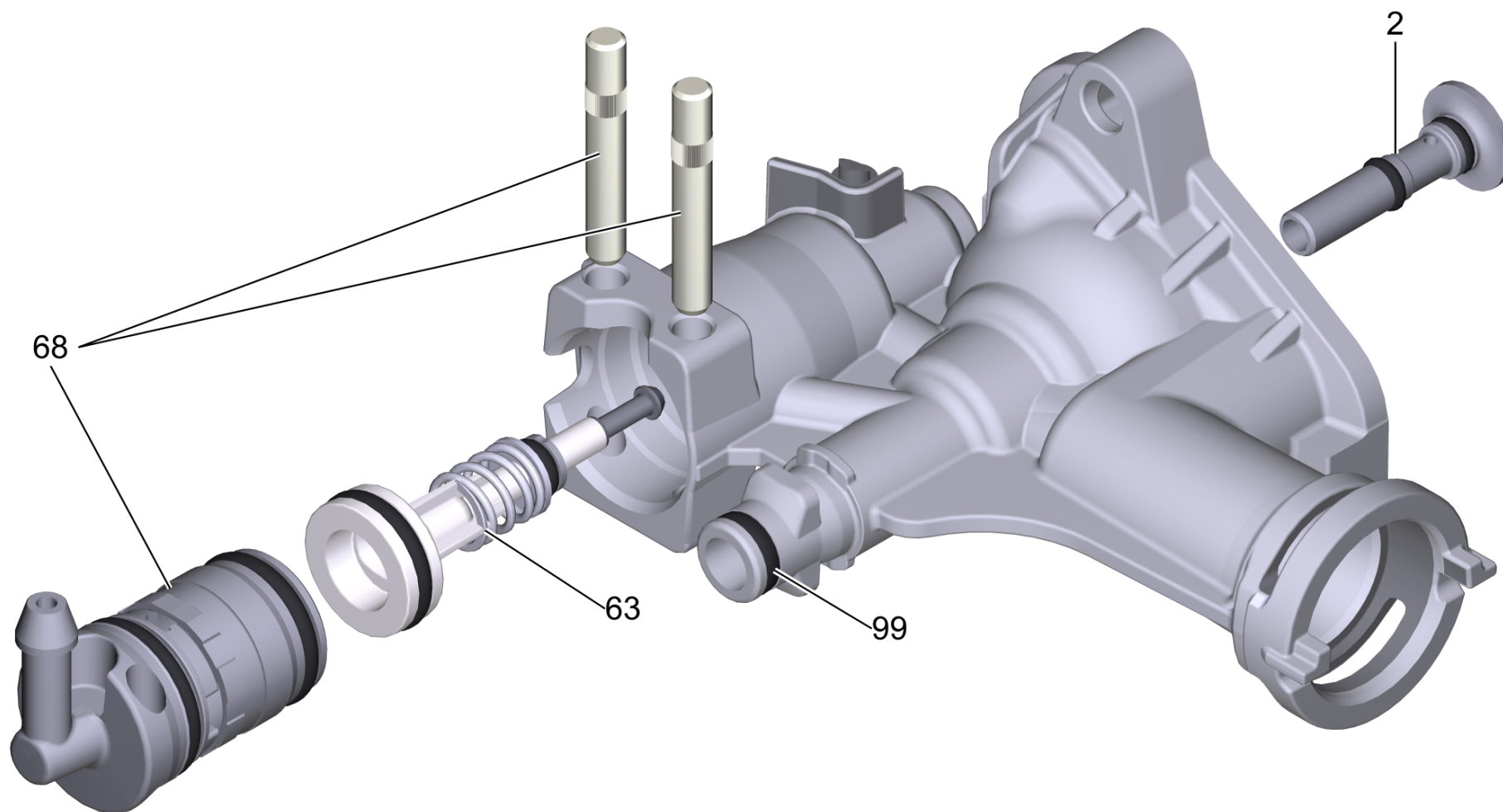
<b>POS</b>	<b>Article no.</b>	<b>Description</b>	<b>Quantity</b>	<b>Unit</b>
900	4.101-260.0	Assembly aid set wobble plate G2/2	1	PC
1	5.062-834.3	Housing gear G2/2 (BT) AI	1	PC
2	4.101-227.0	Set wobble plate 9,2° (G2/2)	1	PC
3	4.101-116.0	Spare parts set planet wheel cpl.	1	PC



## 105 Pump head complete KP-2/0-AI-UM-w/o SV

---

<b>POS</b>	<b>Article no.</b>	<b>Description</b>	<b>Quantity</b>	<b>Unit</b>
3	4.550-056.3	Cylinder head complete	1	PC
1	4.551-354.3	Housing complete KP-2/0-AI-UM-w/o SV	1	PC
2	4.060-187.3	Piston guidance complete KP 2/0-AI-UM	1	PC
92	7.306-133.0	Screw M6x50 -8.8-R3R (In6Rd)	3	PC
78	4.584-025.3	Valve pin complete	1	PC



1 Housing complete KP-2/0-AI-UM-w/o SV (4.551-354.3)

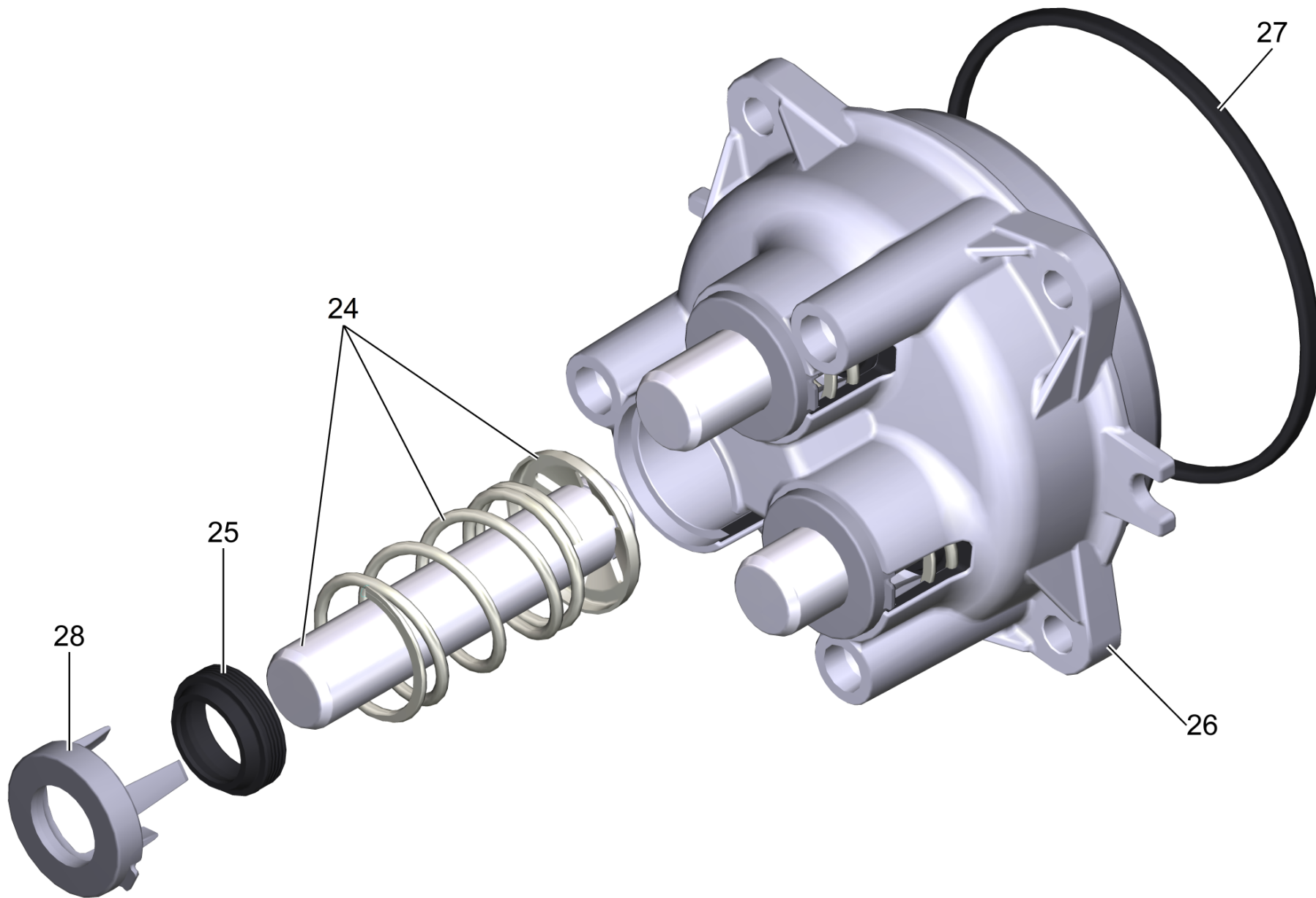
---

<b>POS</b>	<b>Article no.</b>	<b>Description</b>	<b>Quantity</b>	<b>Unit</b>
2	4.101-211.0	Injector	1	PC
99	6.362-199.0	O-Ring seal 7,5x1,5 NBR 80	1	PC
63	4.101-212.0	Spare parts set control piston	1	PC
68	4.101-213.0	Valve chemistry complete	1	PC

68 Valve chemistry complete (4.101-213.0)

---

<b>POS</b>	<b>Article no.</b>	<b>Description</b>	<b>Quantity</b>	<b>Unit</b>
6	6.362-481.0	O-Ring seal 14,0 x 2,0 NBR 80	1	PC
4	5.314-150.0	Pin	2	PC

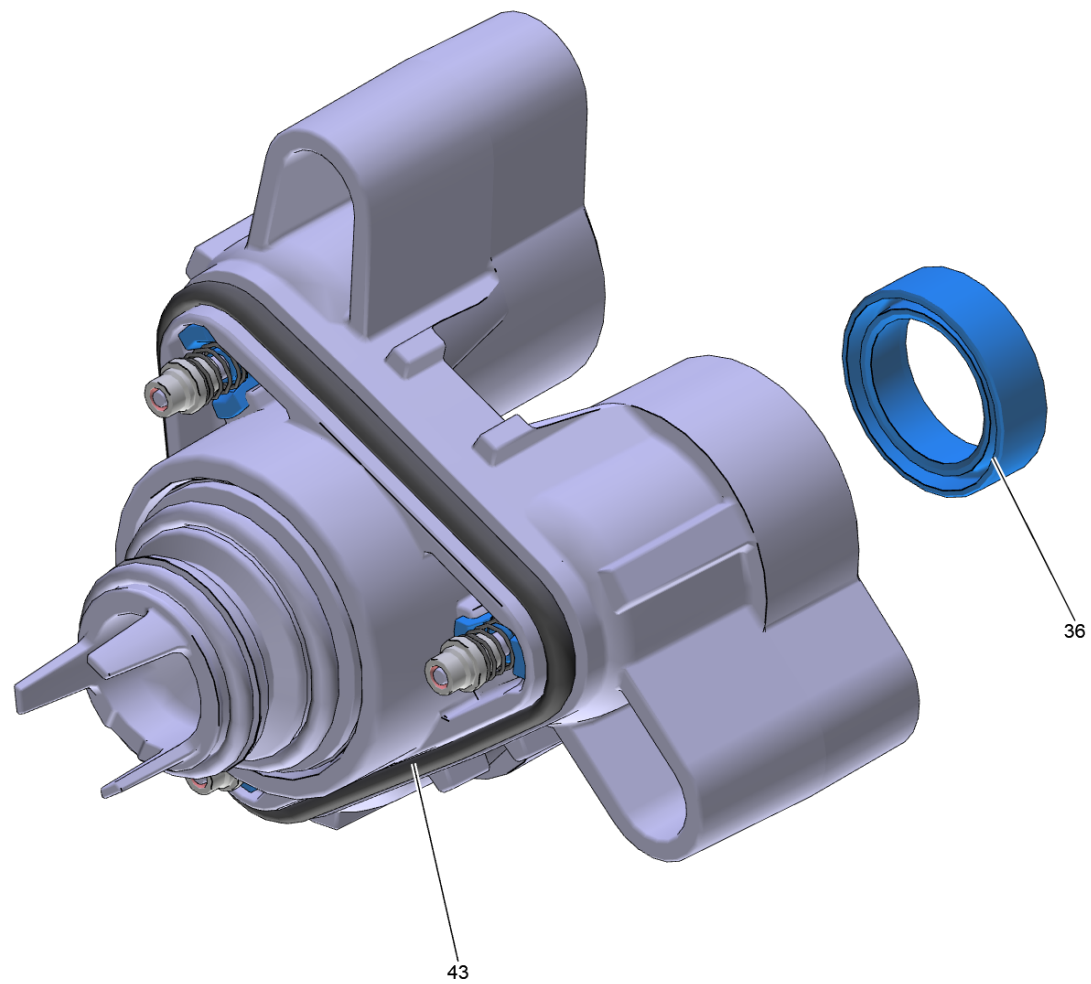




2 Piston guidance complete KP 2/0-AI-UM (4.060-187.3)

---

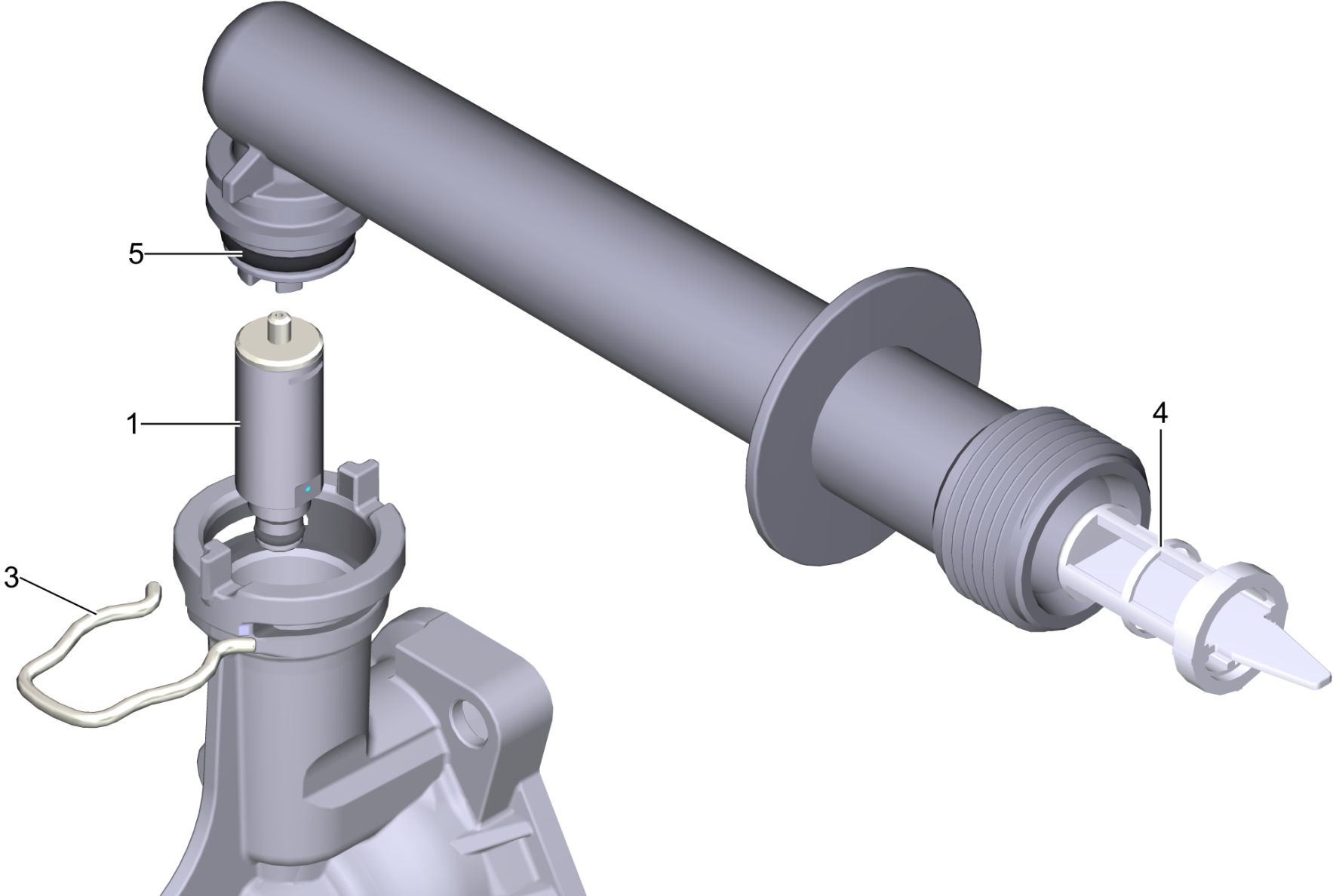
POS	Article no.	Description	Quantity	Unit
25	6.365-581.3	Grooved ring 12x18x4/6 NBR 75 Shore A	3	PC
27	6.363-339.0	O-Ring seal 60x2,5 -NBR 80	1	PC
24	4.533-490.3	Piston complete KP 2_0-AI_G2_2-UM	3	PC
26	5.060-090.3	Piston guidance	1	PC
28	5.116-250.0	Washer	3	PC



3 Cylinder head complete (4.550-056.3)

---

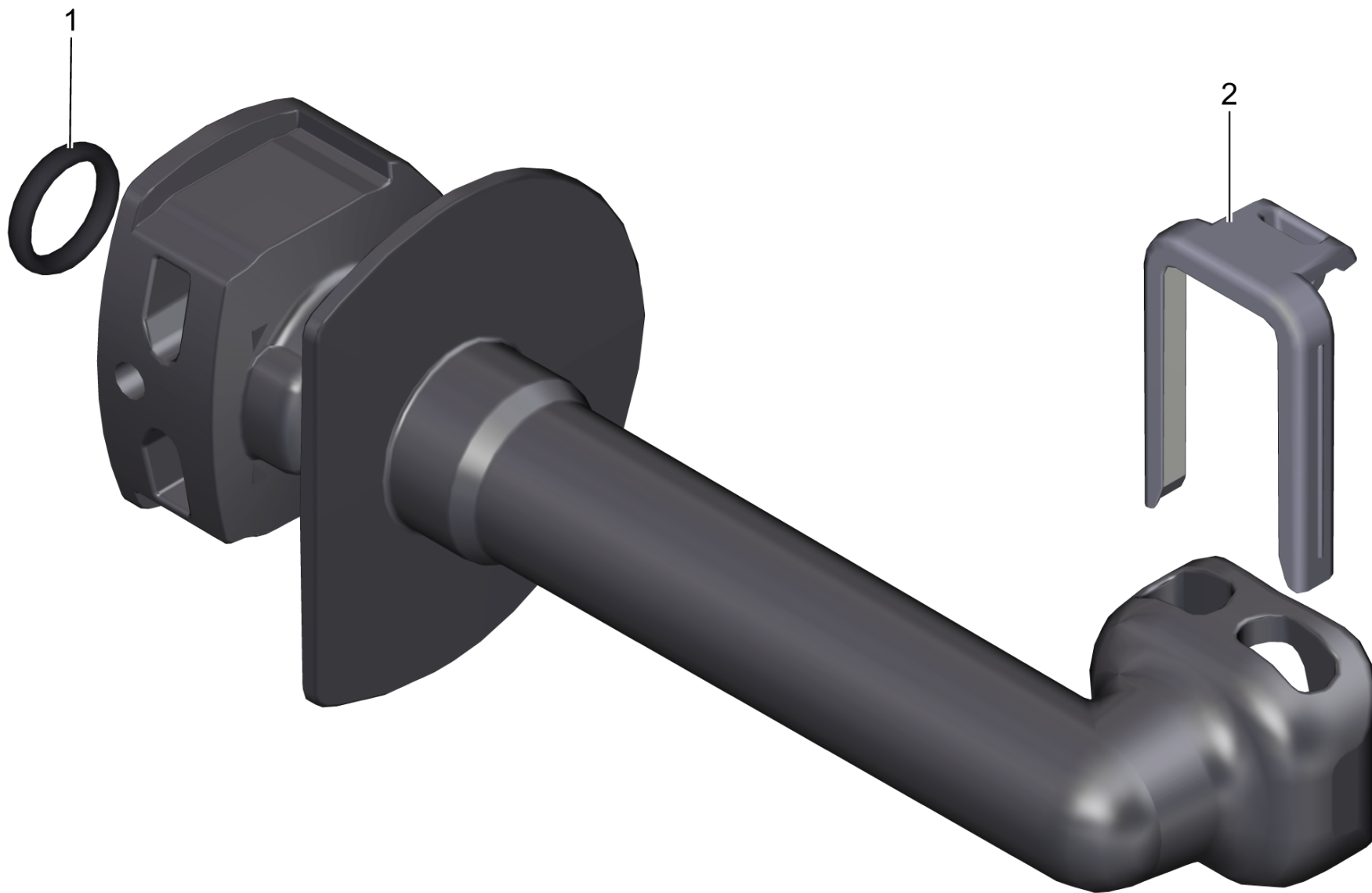
<b>POS</b>	<b>Article no.</b>	<b>Description</b>	<b>Quantity</b>	<b>Unit</b>
36	6.363-745.0	Grooved ring 12/17x4,9	3	PC
43	6.362-740.0	O-Ring seal 34,60X 2,62	1	PC



## 106 Inlett fitting for replacement (4.101-217.0)

---

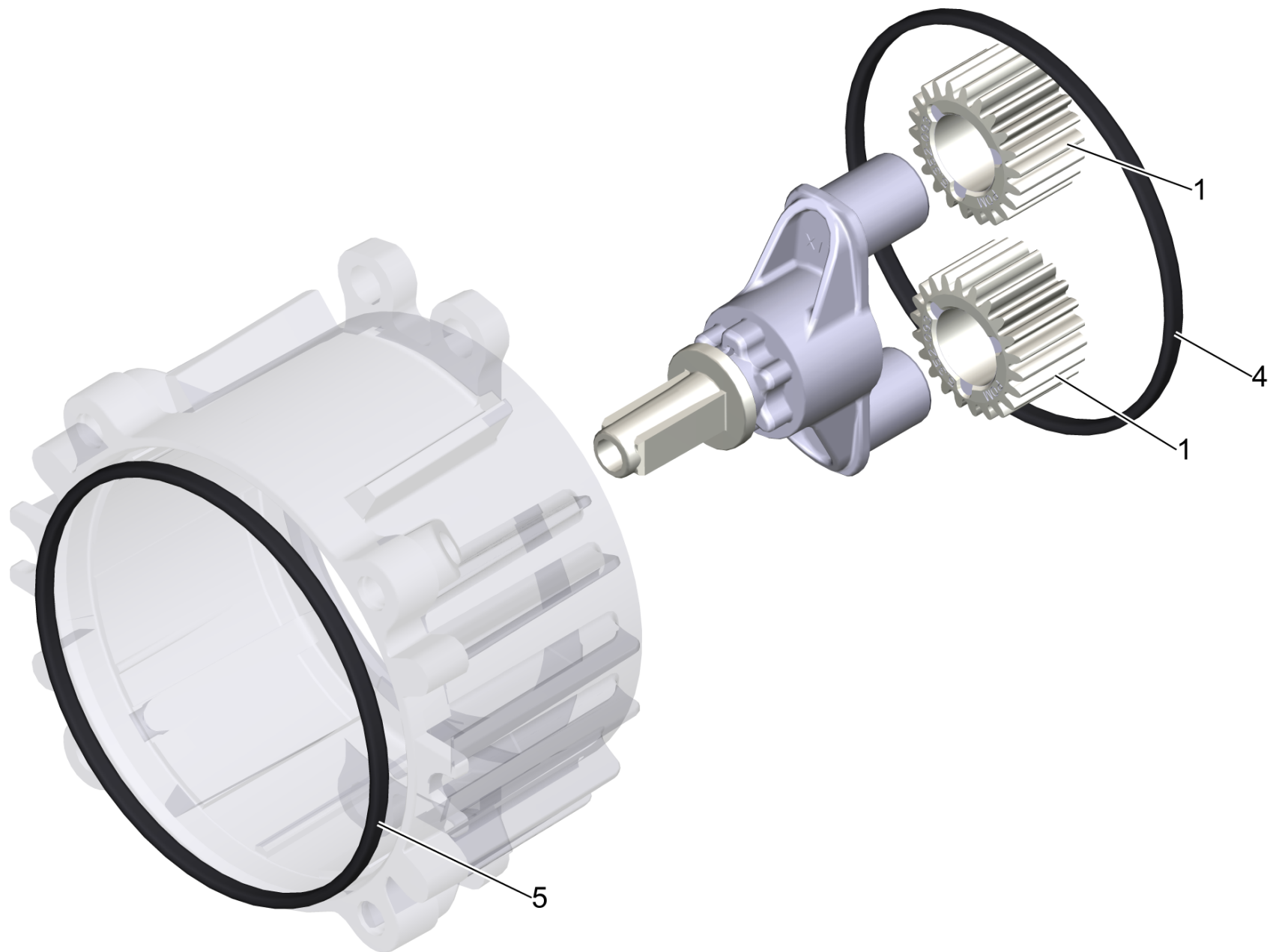
<b>POS</b>	<b>Article no.</b>	<b>Description</b>	<b>Quantity</b>	<b>Unit</b>
3	5.048-915.0	Clamp	1	PC
4	5.731-598.0	Fine filter long	1	PC
4	5.731-004.0	Fine filter short (2015/17)	1	PC
5	6.362-381.0	O-Ring seal 13x2 - NBR 70	1	PC
1	4.580-145.3	Safety valve complete grey (SV5/R5)	1	PC



107 High-pressure outlet for replacement (4.101-215.0)

---

<b>POS</b>	<b>Article no.</b>	<b>Description</b>	<b>Quantity</b>	<b>Unit</b>
2	5.059-310.0	Clamp for high-pressure outlet	1	PC
1	6.362-658.0	O-Ring seal 7 X 1,5-NBR 90	1	PC

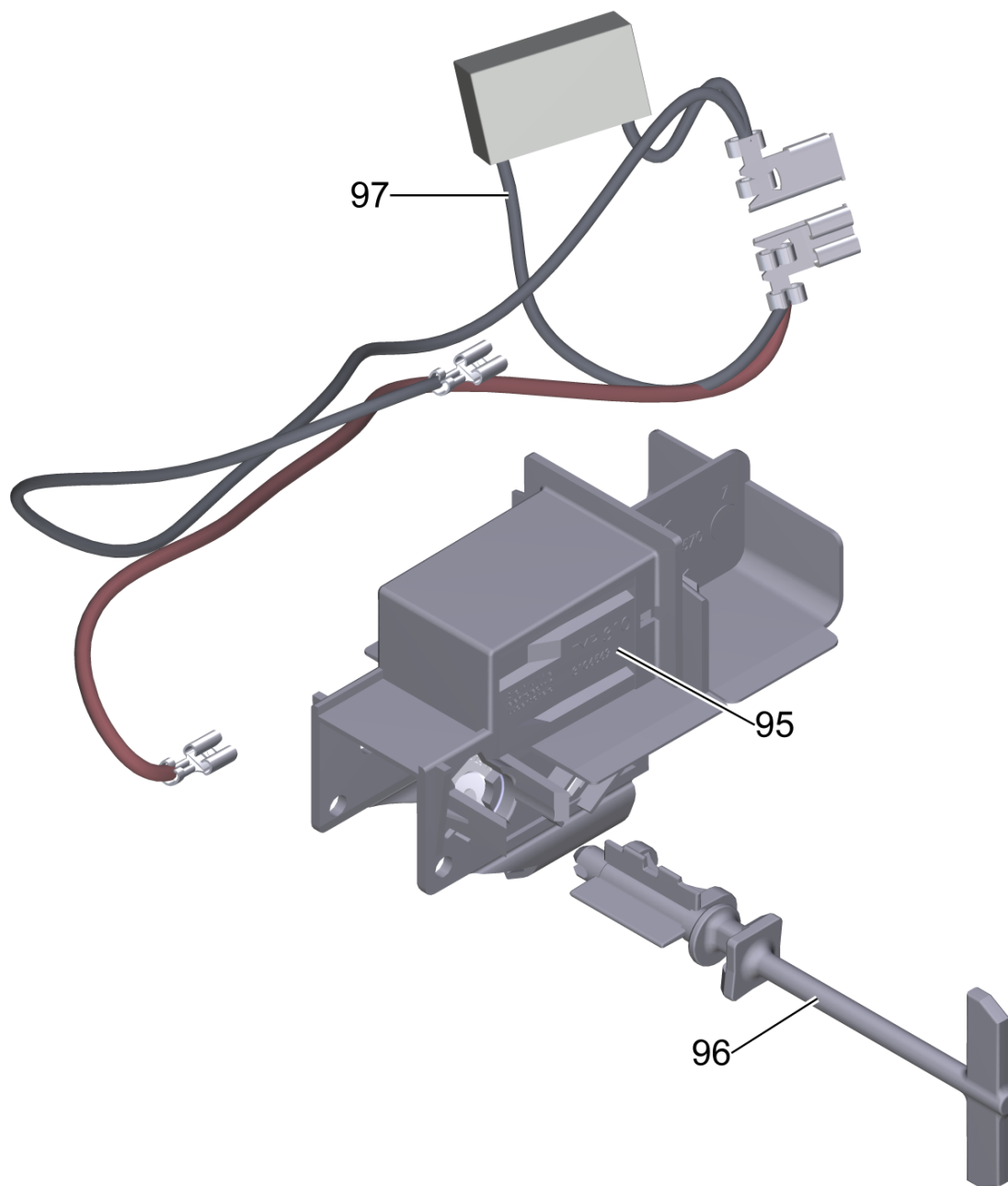




## 110 Spare parts set planetary carrier (4.101-210.0)

---

<b>POS</b>	<b>Article no.</b>	<b>Description</b>	<b>Quantity</b>	<b>Unit</b>
4	6.362-902.0	O-Ring 60x2,5 NBR 70	1	PC
5	6.363-339.0	O-Ring seal 60x2,5 -NBR 80	1	PC
1	5.352-093.0	Planet wheel N-cor (z22) - FEES	2	PC



### 3 Switch cpl. RV 470nF f. K5 Classic \*EU

---

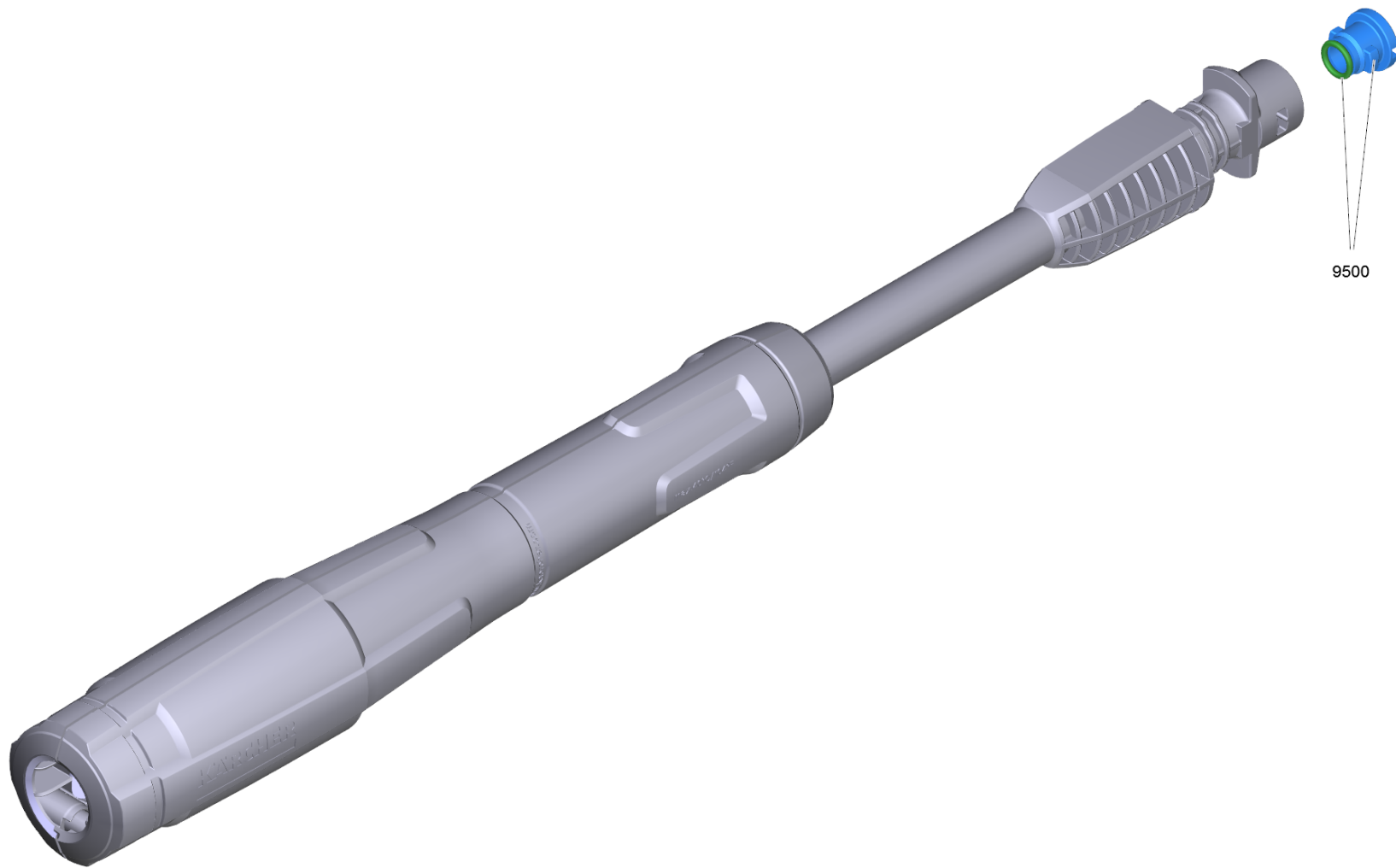
<b>POS</b>	<b>Article no.</b>	<b>Description</b>	<b>Quantity</b>	<b>Unit</b>
96	5.105-659.0	Axle UZS 75.5mm	1	PC
97	6.652-112.0	Cable with capacitor 470nF (Motor h48)	1	PC
95	6.630-768.0	Switch replacement + UL/CSA RV	1	PC



7 DB 145 rotor nozzle packaged (2.642-728.0)

---

<b>POS</b>	<b>Article no.</b>	<b>Description</b>	<b>Quantity</b>	<b>Unit</b>
9500	2.640-729.0	O-Ring seal set	1	PC



9500

8 VP 145 Vario Power Jet (packaged) (2.642-725.0)

---

<b>POS</b>	<b>Article no.</b>	<b>Description</b>	<b>Quantity</b>	<b>Unit</b>
9500	2.640-729.0	O-Ring seal set	1	PC

---





10 G 180 Q Trigger gun Quick Connect (2.642-889.0)

---

<b>POS</b>	<b>Article no.</b>	<b>Description</b>	<b>Quantity</b>	<b>Unit</b>
1	5.332-464.0	Pressure spring	1	PC

---



13 H 9 Q high pressure hose Quick Connect (2.641-721.0)

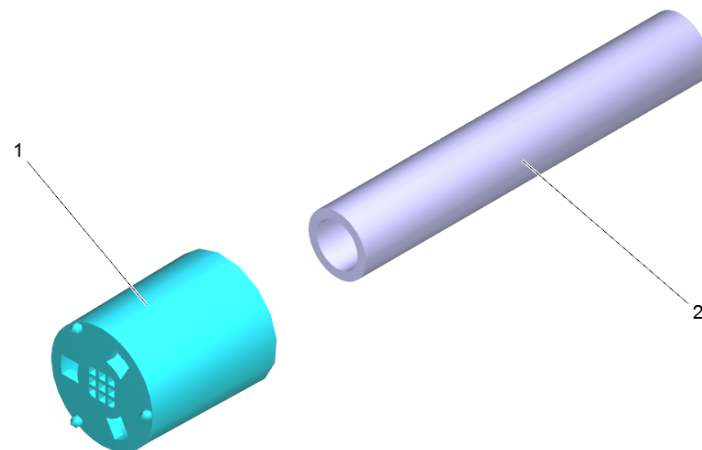
---

<b>POS</b>	<b>Article no.</b>	<b>Description</b>	<b>Quantity</b>	<b>Unit</b>
999	2.640-729.0	O-Ring seal set	1	PC

101 Spare parts set housing front (4.101-218.0)

---

<b>POS</b>	<b>Article no.</b>	<b>Description</b>	<b>Quantity</b>	<b>Unit</b>
10	4.131-018.0	Screen logo packaged (5.131-003)	1	PC



122 Filter with hose RM 0,70 \*(2007)

---

<b>POS</b>	<b>Article no.</b>	<b>Description</b>	<b>Quantity</b>	<b>Unit</b>
1	5.731-633.3	Filter RM 2007	1	PC
2	6.388-216.0	Hose DN 5 (PVC)	0,7	m