

Spare parts list

(1.027-301.0) HDS 895 S *EU

Table of contents

HDS 895 S *EU (1.027-301.0)	4
Spare parts list HDS 895 S *EUR (5.958-713.0)	5
10 Individual parts	6
11 Cover	7
12 Base frame	9
13 Handhold	11
20 Pump set	13
21 Piston	14
100 Spare part set pump (2.883-913.0)	16
20 Valve (3 Stueck) (2.884-512.0)	17
22 Cylinder head	19
10 Piston complete only for replacement (4.553-197.0)	22
25 Piston complete only for replacement (4.553-198.0)	24
32 Valve (3 Stueck) (2.884-512.0)	26
100 Spare part set pump (2.883-913.0)	28
20 Valve (3 Stueck) (2.884-512.0)	29
23 Cylinder head	31
10 Piston complete only for replacement (4.553-197.0)	34
25 Piston complete only for replacement (4.553-198.0)	36
32 Valve (3 Stueck) (2.884-512.0)	38
100 Spare part set pump (2.883-913.0)	40
20 Valve (3 Stueck) (2.884-512.0)	41
24 Cylinder head	43
10 Piston complete only for replacement (4.553-197.0)	46
25 Piston complete only for replacement (4.553-198.0)	48
32 Valve (3 Stueck) (2.884-512.0)	50
100 Spare part set pump (2.883-913.0)	52
20 Valve (3 Stueck) (2.884-512.0)	53
25 Switch	55
30 Motor	57
15 Wobble plate (5.120-235.3)	60
40 Blower	61
50 Fuel system	63
51 Fuel pump aspiration	64
52 Fuel pump	66
60 Electric control box	68
61 Top part	69
62 Bottom part	71

Table of contents

21 Spare parts set ignition transformer (2.883-791.0)	75
70 Flow heater	76
71 Burner cover	77
8 Cover plate pressure boiler (4.654-218.0)	79
11 Conversion kit ignition electrode (2.638-974.0)	81
72 Heating coil	83
73 Burner bottom	85
2 Bottom pressure boiler (4.655-044.0)	87
80 Float chest	89
81 Float chest	90
82 DGT	93
90 Safety system	95
91 Safety system	96
92 Safety system	98
100 Accessories	100
101 Hand trigger gun	101
102 Hand trigger gun	103
1 HAND TRIGGER GUN EASY PRESS (4.775-463.0)	105
9 Rotary controller 416L (4.775-470.0)	107
103 Hand trigger gun	109
100 Spare part set (2.883-903.0)	111
104 Hand trigger gun	112
1 Hand trigger gun (4.775-466.0)	114
60 Adapter pipelines AVS-M22x1,5 (4.421-739.3)	116
9 Adapter pipelines AVS-M22x1,5 (4.421-739.3)	118
105 High pressure hose	120
1 Hose assembly only for replacement DN8 4 (6.391-351.0)	122
106 Jet pipe	124
Jet pipe packaged only for replacement (4.760-660.0)	126
13 Power nozzle 25054 (2.883-927.0)	128
107 Jet pipe	129
1 Jet pipe packaged only for replacement (4.760-660.0)	131
9 Power nozzle 25054 (2.883-927.0)	133
108 Hose reel	134
110 Control panel	137
120 Flame guard	139
10 Spare parts set flame sensor 32V (4.101-032.0)	141

HDS 895 S *EU (1.027-301.0)

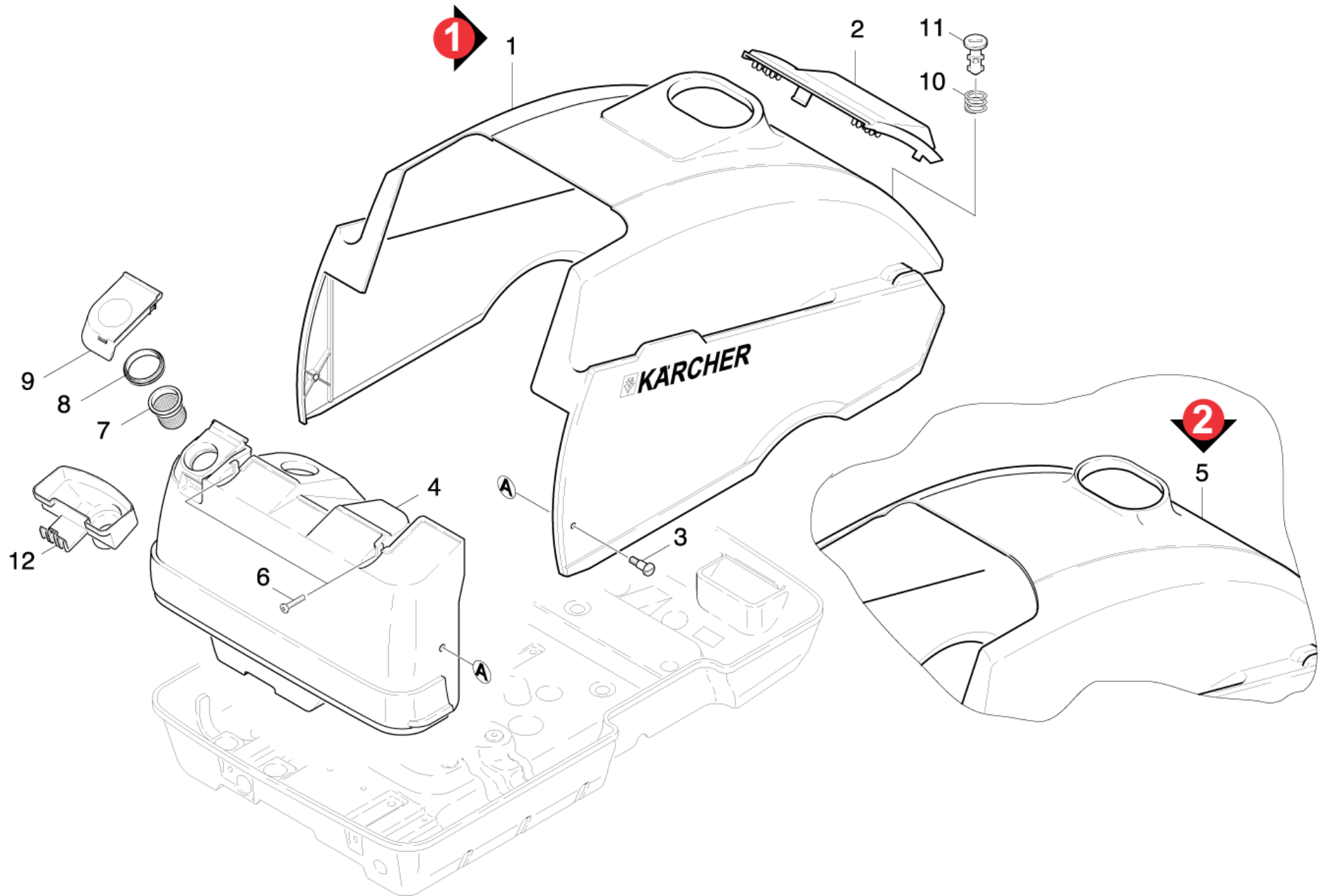
POS	Article no.	Description	Quantity	Unit
0	5.958-713.0	Spare parts list HDS 895 S *EUR	1	PC
Item text2: 10273010				

Spare parts list HDS 895 S *EUR (5.958-713.0)

POS	Description	Quantity	Unit	Remark
10	Individual parts	1	PC	
20	Pump set	1	PC	
30	Motor	1	PC	
40	Blower	1	PC	
50	Fuel system	1	PC	
60	Electric control box	1	PC	
70	Flow heater	1	PC	
80	Float chest	1	PC	
90	Safety system	1	PC	
100	Accessories	1	PC	
110	Control panel	1	PC	
120	Flame guard	1	PC	(1.027-312)

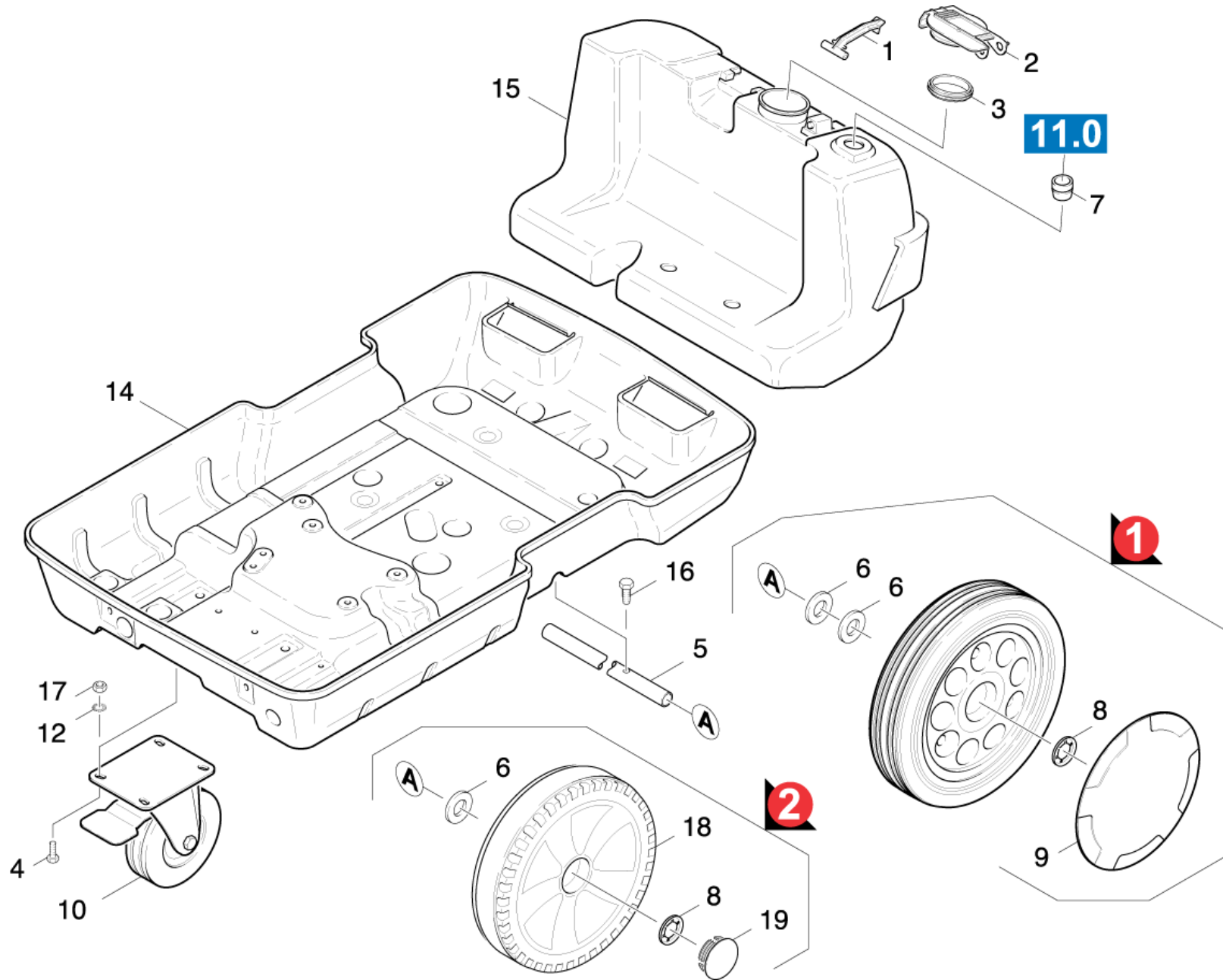
10 Individual parts

POS	Description	Quantity	Unit
11	Cover	1	PC
12	Base frame	1	PC
13	Handhold	1	PC



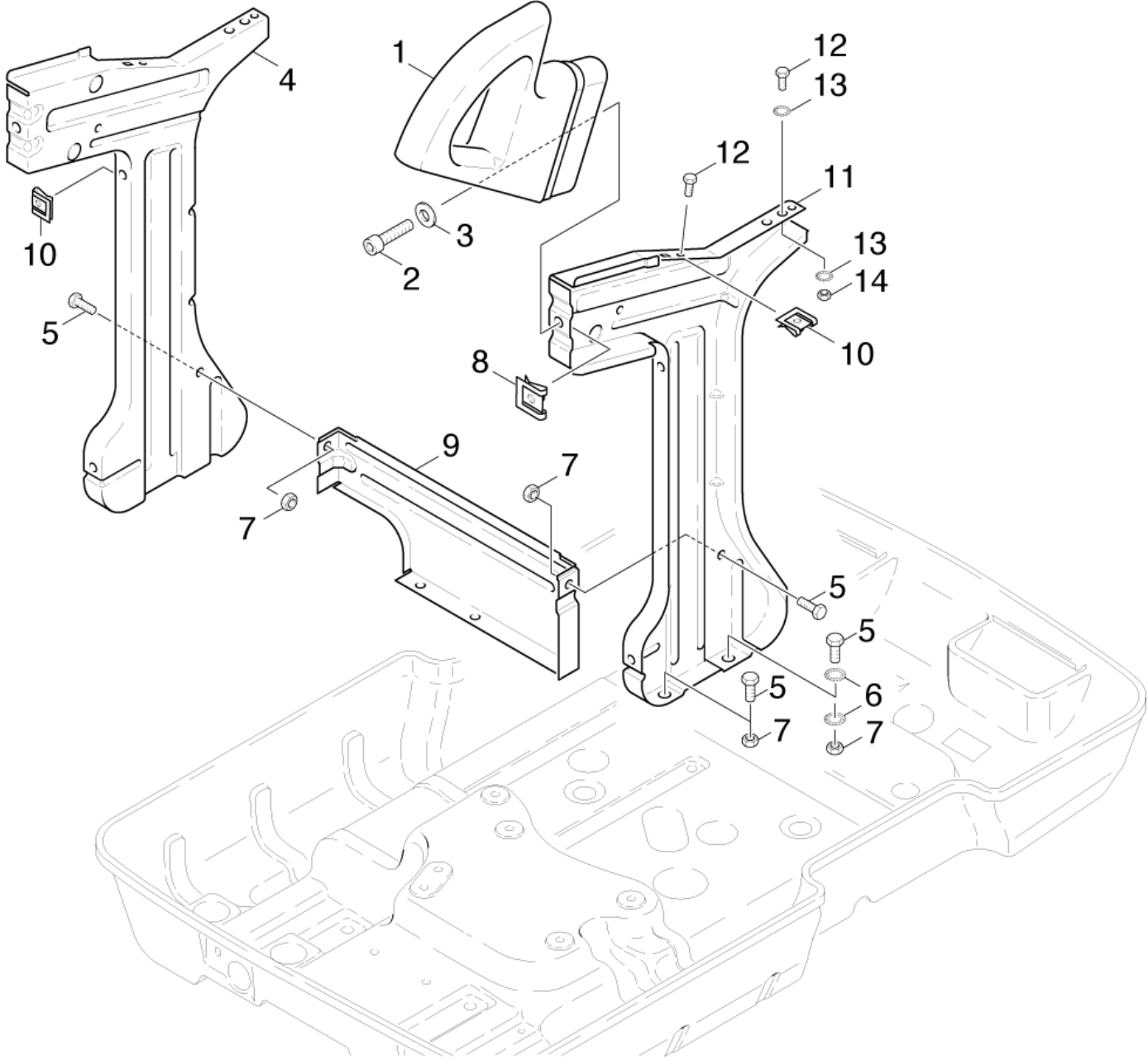
11 Cover

POS	Article no.	Description	Quantity	Unit	Remark	Foot note text
1	4.066-384.0	Cover Ersatz-alte HDS-M nieder o. Blech	1	PC	VERSION 1	
2	5.030-001.0	Flap	1	PC		ANTHRACITE
2	5.030-834.0	Flap	1	PC		YELLOW
3	5.305-204.0	Shaped screw	2	PC		
4	5.071-048.0	Tank fuel	1	PC		
5	4.066-006.0	Cover complete only for replacement	1	PC		
6	7.777-999.0	Stockpiling discontinued	2	PC		
7	5.731-039.0	Filter	1	PC		
8	5.363-290.0	Joint ring	1	PC		
9	5.063-957.0	Cover	1	PC		
10	5.332-236.0	Helical spring	1	PC		
11	5.316-318.0	Bolt	1	PC		
12	5.013-075.0	Funnel	1	PC		



12 Base frame

POS	Article no.	Description	Quantity	Unit
1	5.042-463.0	Holder	1	PC
2	5.063-448.0	Cover	1	PC
3	5.363-300.0	Joint ring	1	PC
4	7.304-395.0	Hexagonal head screw M8x16-8.8-A2E ISO	4	PC
5	5.105-163.0	Axle	1	PC
6	7.312-060.0	Washer 24-100HV-A3E ISO 7091	4	PC
7	5.365-147.0	Profile gasket	1	PC
8	6.343-162.0	Lock washer -25	2	PC
9	5.392-019.0	Wheel cap	2	PC
10	6.435-071.0	Castor 125	1	PC
12	7.312-166.0	Toothed lock washer A8,4-FSt-A3E DIN 6797	2	PC
14	5.050-046.0	Frame	1	PC
15	5.071-047.0	Tank chemistry	1	PC
16	6.303-031.0	Screw M8x16-ST-R2R DIN 7500-1	2	PC
17	7.311-004.0	Hexagon nut M8 -8-A3E ISO 4032	4	PC
18	4.515-344.0	Wheel complete	2	PC
19	2.889-086.0	Set wheel cap	2	PC

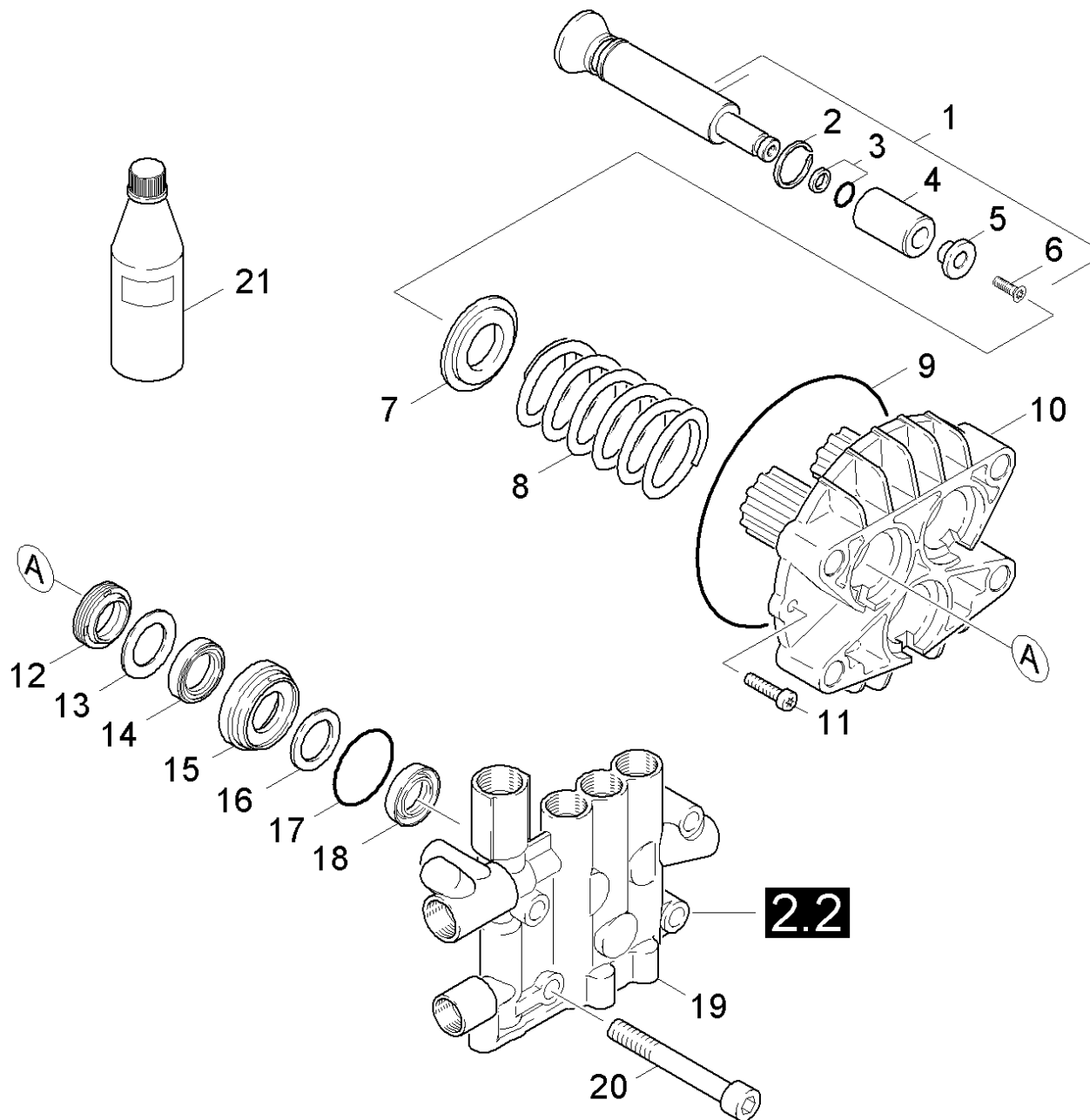


13 Handhold

POS	Article no.	Description	Quantity	Unit
1	5.321-647.0	Sliding handle	2	PC
2	7.306-049.0	Cylinder head screw M 8x45-8.8-A2E ISO	2	PC
3	7.312-004.0	Washer 8 -200HV-A3E ISO 7089	2	PC
4	5.052-033.0	Stand left	1	PC
5	7.304-395.0	Hexagonal head screw M8x16-8.8-A2E ISO	6	PC
6	7.312-166.0	Toothed lock washer A8,4-FSt-A3E DIN 6797	4	PC
7	7.311-004.0	Hexagon nut M8 -8-A3E ISO 4032	6	PC
8	6.310-083.0	Putting nut M8	2	PC
9	5.055-120.0	Stay	1	PC
10	6.310-082.0	Putting nut M6	4	PC
11	5.052-035.0	Stand right	1	PC
12	7.304-382.0	Hexagonal head screw M 6x12-8.8-A2E ISO	4	PC
13	7.312-167.0	Toothed lock washer A6,4-FSt-A3E DIN 6797	4	PC
14	7.311-003.0	Hexagon nut M6 -8-A2E ISO 4032	2	PC

20 Pump set

POS	Description	Quantity	Unit	Remark
21	Piston	1	PC	
22	Cylinder head	1	PC	VERSION 1
23	Cylinder head	1	PC	VERSION 2
24	Cylinder head	1	PC	VERSION 3
25	Switch	1	PC	

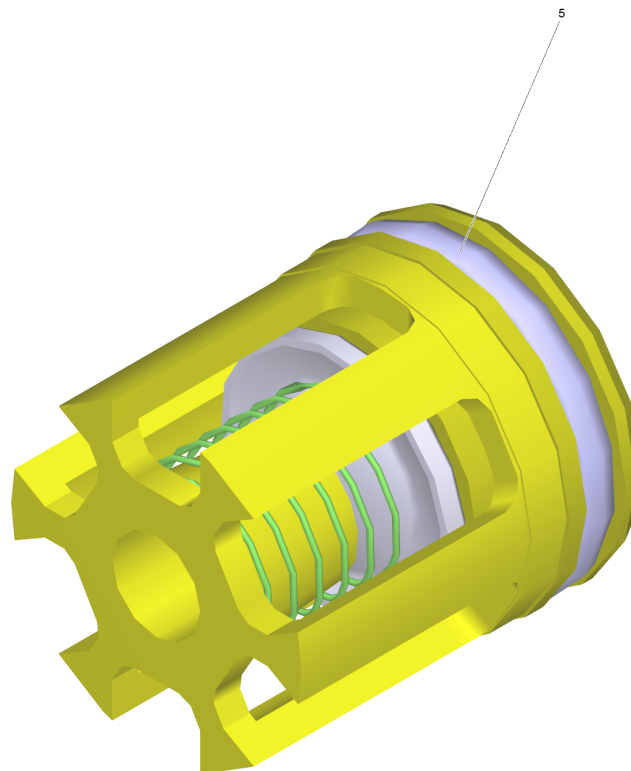


21 Piston

POS	Article no.	Description	Quantity	Unit
1	4.553-281.3	Piston complete only for replacement	3	PC
2	6.472-331.0	Snap ring 20	3	PC
3	6.362-365.0	O-Ring seal complete 1ST.-R.- 7,65X 1,7	3	PC
4	5.110-220.3	Sleeve ceramic	3	PC
5	5.116-076.0	Washer	3	PC
6	6.305-004.0	Countersunk screw M 5X 20-A2-70-sw	3	PC
7	5.115-539.0	Washer	3	PC
8	5.332-289.0	Helical spring	3	PC
9	6.362-796.0	O-Ring seal 107,62X 2,62	1	PC
10	5.060-432.0	Housing	1	PC
11	7.306-105.0	Screw M6x30 -8.8-R3R (In6Rd)	2	PC
12	6.365-052.0	Grooved ring 20X28X6/8	3	PC
13	5.115-537.0	Washer	3	PC
14	6.365-053.0	Compact seal 20X30X6	3	PC
15	5.112-420.0	Bush	3	PC
16	5.115-538.0	Washer	3	PC
17	6.362-092.0	O-Ring seal 36,0 X 2,0-NBR 70	3	PC
18	6.365-330.0	Grooved ring	3	PC
19	4.550-535.0	Cylinder head complete only for replacem	1	PC
20	7.306-155.0	Cylinder head screw M12x100 -8.8-A3E IS	4	PC
21	6.288-016.0	Gear oil 1L	1	PC
100	2.883-913.0	Spare part set pump	1	PC

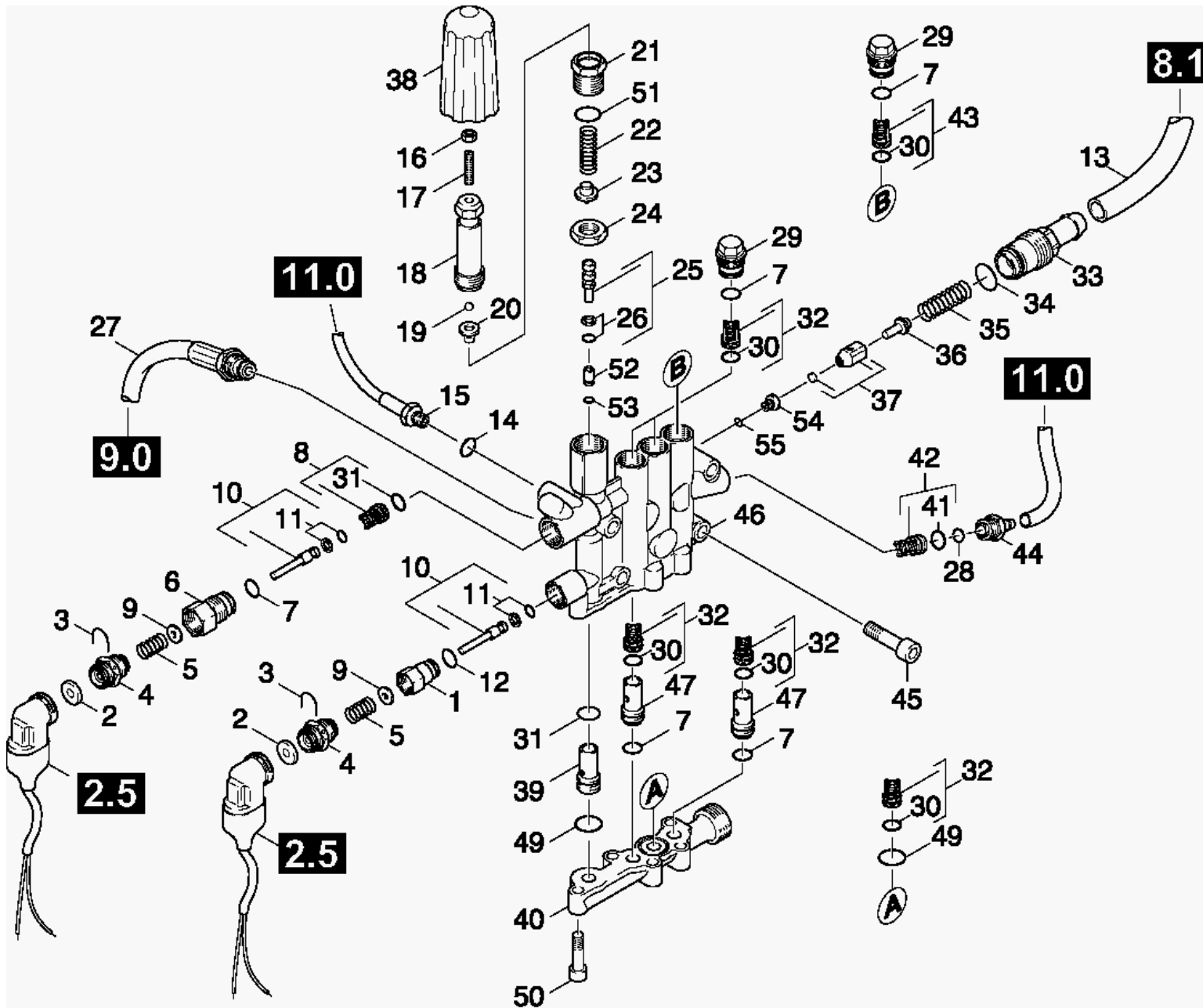
100 Spare part set pump (2.883-913.0)

POS	Article no.	Description	Quantity	Unit
10	4.580-262.0	Valve complete	1	PC
20	2.884-512.0	Valve (3 Stueck)	2	PC
30	4.580-349.0	Valve complete chemistry	1	PC
50	4.582-019.0	Valve disc complete	1	PC
60	5.034-494.0	Retaining bracket	2	PC
70	5.115-537.0	Washer	3	PC
80	5.115-538.0	Washer	3	PC
90	5.115-796.0	Washer	2	PC
100	5.584-122.0	Valve pin	1	PC
110	6.362-151.0	O-Ring d. 10 x 2 NBR 70	1	PC
120	6.362-169.0	O-Ring seal 12,0 X 2,0	1	PC
130	6.363-037.0	O-Ring seal complete 1ST.-R.	2	PC
140	6.362-468.0	O-Ring seal complete 1ST.-R.	1	PC
150	6.362-481.0	O-Ring seal 14,0 x 2,0 NBR 80	6	PC
160	6.362-092.0	O-Ring seal 36,0 X 2,0-NBR 70	3	PC
170	6.362-547.0	O-Ring seal 20,0x1,5-NBR 70	2	PC
180	6.362-796.0	O-Ring seal 107,62X 2,62	1	PC
190	6.363-003.0	O-Ring seal 13,0 X 2,0-NBR 90	6	PC
200	6.365-052.0	Grooved ring 20X28X6/8	3	PC
210	6.365-053.0	Compact seal 20X30X6	3	PC
220	6.365-330.0	Grooved ring	3	PC



20 Valve (3 Stueck) (2.884-512.0)

POS	Article no.	Description	Quantity	Unit
5	6.363-003.0	O-Ring seal 13,0 X 2,0-NBR 90	1	PC

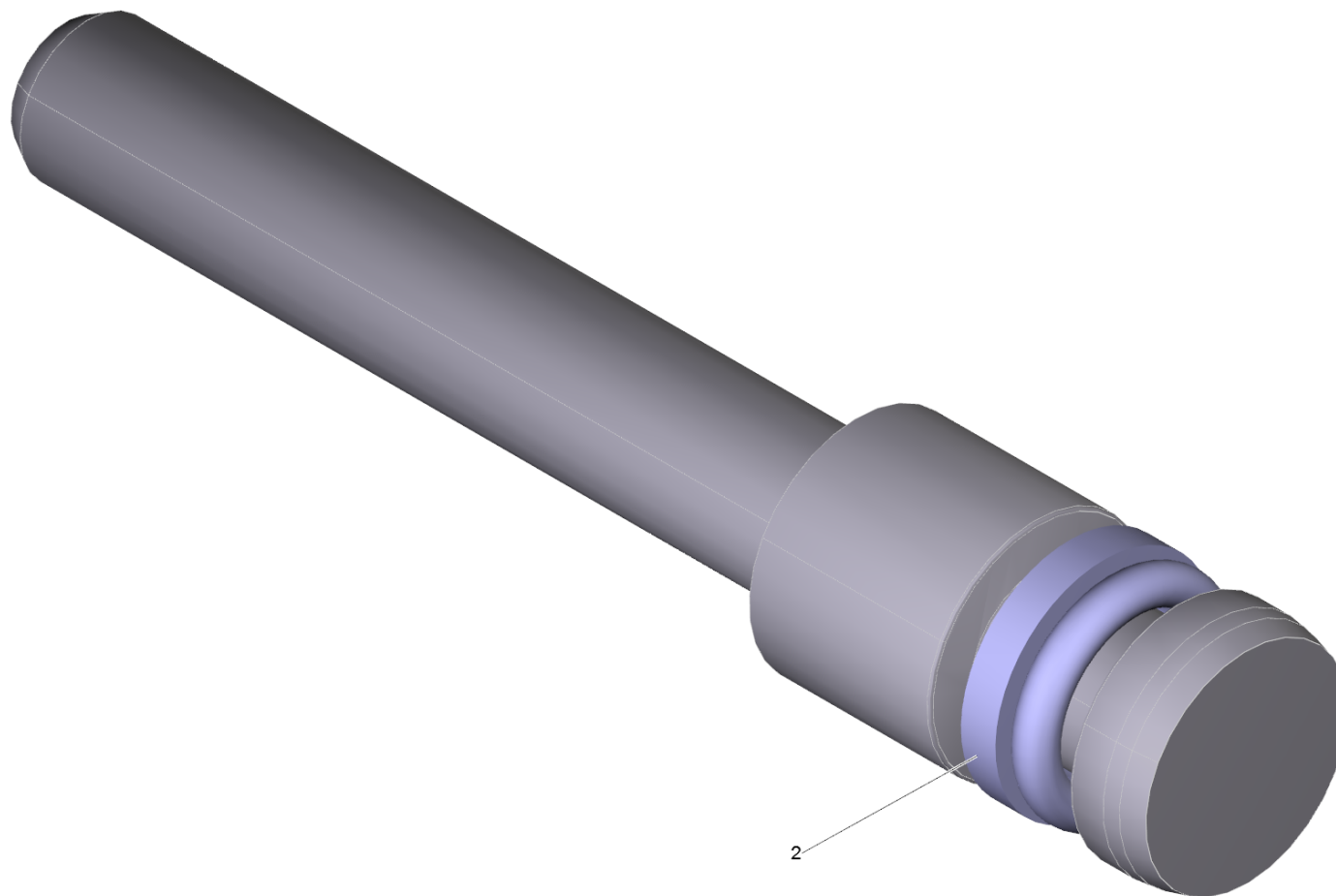


22 Cylinder head

POS	Article no.	Description	Quantity	Unit	Foot note text
1	5.402-705.3	Joining piece	1	PC	
2	5.367-003.0	Diaphragm	2	PC	
3	5.034-494.0	Retaining bracket	2	PC	
4	5.411-148.0	Screw plug	2	PC	
5	5.332-268.0	Helical spring	2	PC	
6	5.583-161.0	Valve screw	1	PC	
7	6.362-481.0	O-Ring seal 14,0 x 2,0 NBR 80	6	PC	
8	4.580-262.0	Valve complete	1	PC	
9	5.115-796.0	Washer	2	PC	
10	4.553-197.0	Piston complete only for replacement	2	PC	
11	6.363-037.0	O-Ring seal complete 1ST.-R.	2	PC	
12	6.362-853.0	O-Ring seal 4,47x1,78	1	PC	
13	6.388-167.0	Hose DN15	1	m	TO ORDER AS CUT GOODS
	Item text1: / 1.027-301.0 / -302.0 / -304.0				
	Item text2: / -305.0 / -307.0				
14	7.362-003.0	Joint ring A10x13,5 -Cu DIN 7603	1	PC	
15	6.389-635.0	High pressure hose pressure gauge	1	PC	
16	7.311-002.0	Hexagon nut M5 -6-A2E ISO 4032	1	PC	
17	7.307-017.0	Threaded pin M5x40 -St-45H-A2E ISO 4026	1	PC	
18	5.304-070.0	Hexagonal head screw	1	PC	
19	7.401-931.0	Sphere 5 KI3 -1.4401 DIN 5401	1	PC	
20	5.582-121.0	Valve disc	1	PC	
21	5.404-082.0	Hollow screw	1	PC	
22	5.332-444.0	Helical spring	1	PC	
23	5.584-114.0	Valve pin	1	PC	
24	5.311-204.0	Hexagon nut M22x1,5	1	PC	
25	4.553-198.0	Piston complete only for replacement	1	PC	
26	6.362-468.0	O-Ring seal complete 1ST.-R.	1	PC	
27	6.391-596.0	High pressure hose DN 13	1	PC	
28	6.362-151.0	O-Ring d. 10 x 2 NBR 70	1	PC	
29	5.583-146.3	Valve screw	3	PC	
30	6.363-003.0	O-Ring seal 13,0 X 2,0-NBR 90	6	PC	
31	6.362-381.0	O-Ring seal 13x2 - NBR 70	2	PC	

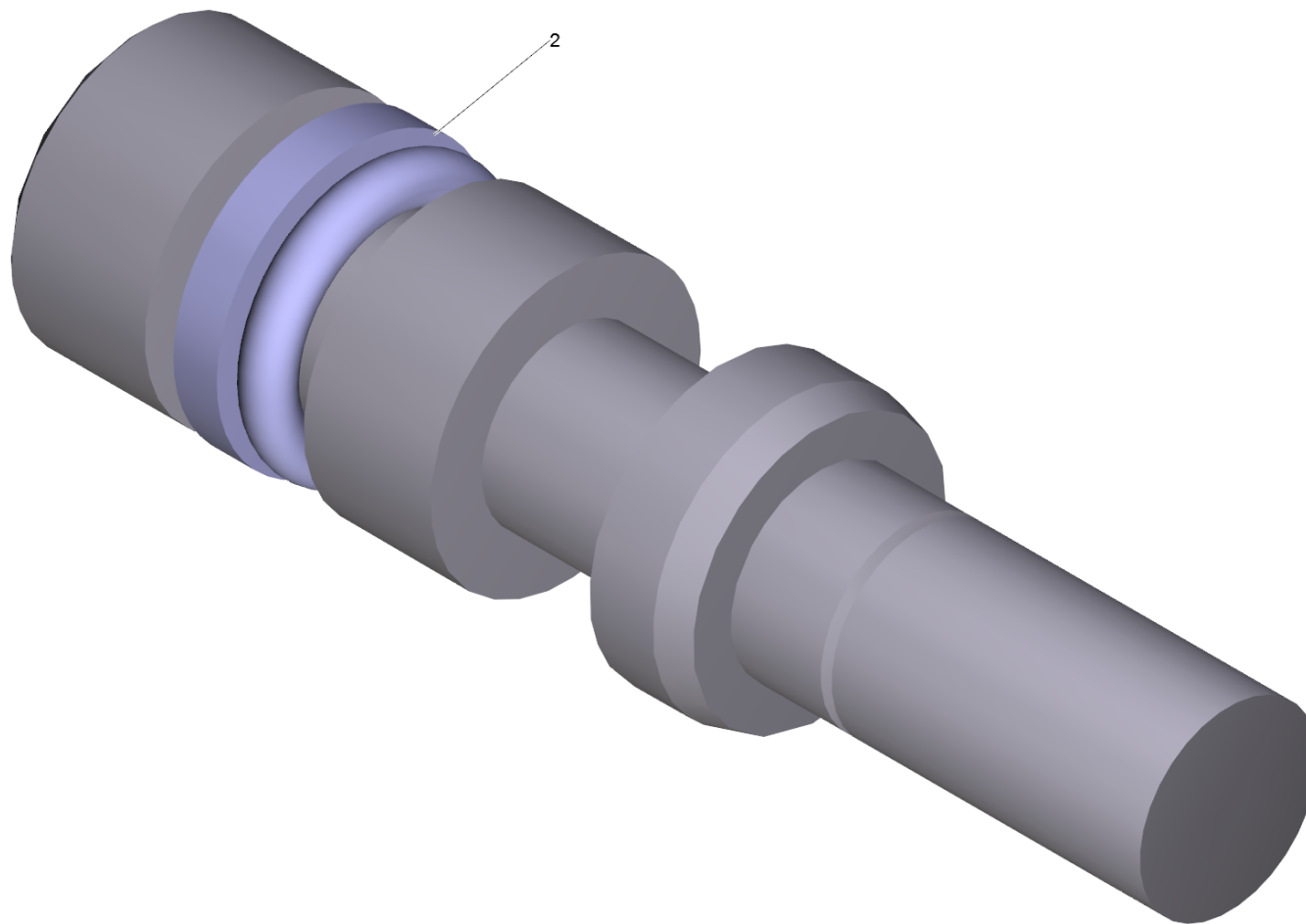
22 Cylinder head

POS	Article no.	Description	Quantity	Unit	Foot note text
32	2.884-512.0	Valve (3 Stueck)	2	PC	
33	5.583-168.0	Valve screw safety valve	1	PC	
34	6.362-169.0	O-Ring seal 12,0 X 2,0	1	PC	
35	5.332-473.0	Helical spring	1	PC	
36	5.584-122.0	Valve pin	1	PC	
37	4.582-019.0	Valve disc complete	1	PC	
38	5.322-103.0	Handle	1	PC	
39	5.110-865.0	Sleeve	1	PC	
40	5.587-202.0	Valve housing	1	PC	
41	6.362-077.0	O-Ring seal 10 x 2,2 NBR 70	1	PC	
42	4.580-349.0	Valve complete chemistry	1	PC	
43	4.580-589.0	Valve with slot	1	PC	
44	5.443-474.0	Hose stem	1	PC	
45	7.306-155.0	Cylinder head screw M12x100 -8.8-A3E IS	4	PC	
46	4.550-535.0	Cylinder head complete only for replacem	1	PC	
47	5.110-853.0	Sleeve	2	PC	
49	6.362-547.0	O-Ring seal 20,0x1,5-NBR 70	2	PC	
50	7.306-043.0	Cylinder head screw M8x30 -8.8-A2E ISO	5	PC	
51	6.362-079.0	O-Ring seal 18,0 X 2,5	1	PC	
52	5.581-239.0	Valve seat	1	PC	
53	6.362-386.0	O-Ring seal 5,0 x 1,5-NBR 80	1	PC	
54	5.581-231.0	Valve seat	1	PC	
55	6.362-703.0	O-Ring seal 6,0x1,5-NBR 70	1	PC	
100	2.883-913.0	Spare part set pump	1	PC	



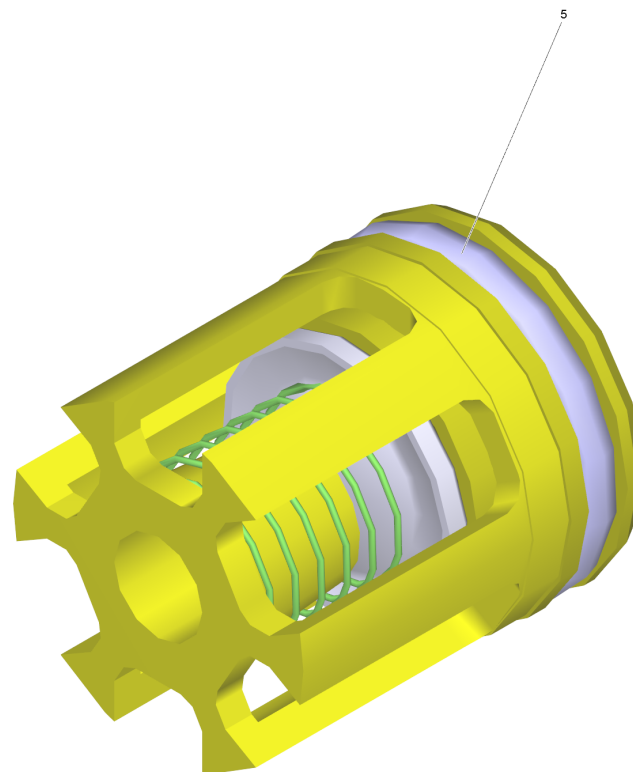
10 Piston complete only for replacement (4.553-197.0)

POS	Article no.	Description	Quantity	Unit
2	6.363-037.0	O-Ring seal complete 1ST.-R.	1	PC



25 Piston complete only for replacement (4.553-198.0)

POS	Article no.	Description	Quantity	Unit
2	6.362-468.0	O-Ring seal complete 1ST.-R.	1	PC

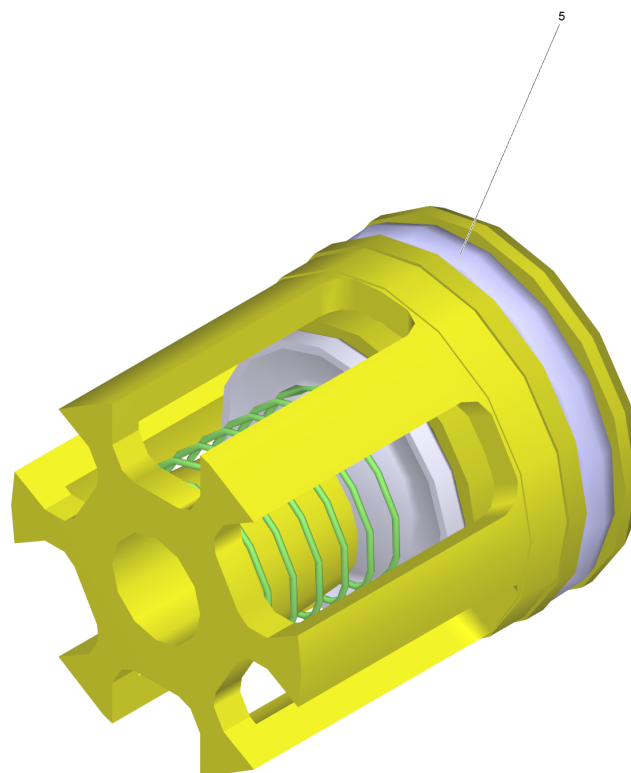


32 Valve (3 Stueck) (2.884-512.0)

POS	Article no.	Description	Quantity	Unit
5	6.363-003.0	O-Ring seal 13,0 X 2,0-NBR 90	1	PC

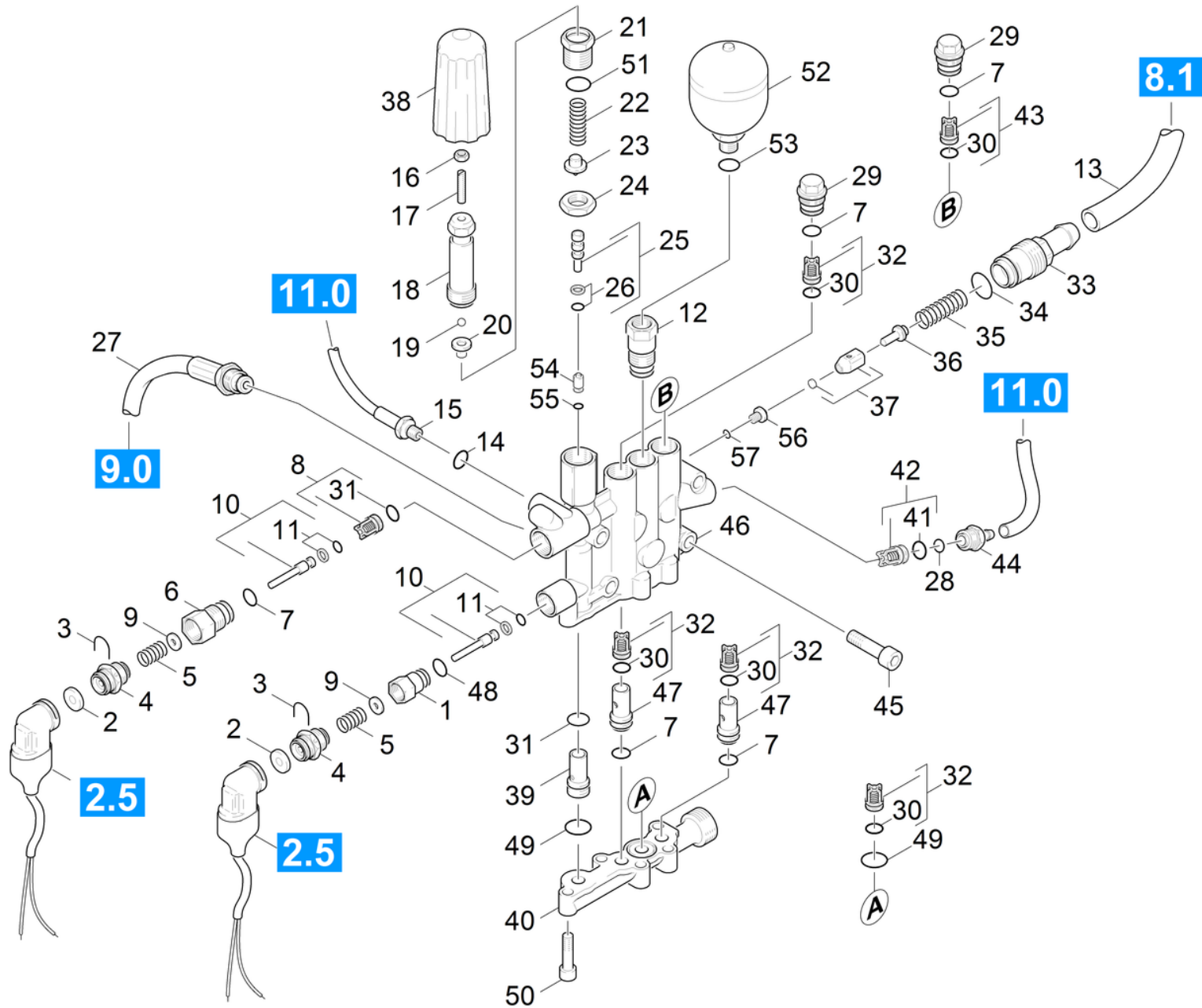
100 Spare part set pump (2.883-913.0)

POS	Article no.	Description	Quantity	Unit
10	4.580-262.0	Valve complete	1	PC
20	2.884-512.0	Valve (3 Stueck)	2	PC
30	4.580-349.0	Valve complete chemistry	1	PC
50	4.582-019.0	Valve disc complete	1	PC
60	5.034-494.0	Retaining bracket	2	PC
70	5.115-537.0	Washer	3	PC
80	5.115-538.0	Washer	3	PC
90	5.115-796.0	Washer	2	PC
100	5.584-122.0	Valve pin	1	PC
110	6.362-151.0	O-Ring d. 10 x 2 NBR 70	1	PC
120	6.362-169.0	O-Ring seal 12,0 X 2,0	1	PC
130	6.363-037.0	O-Ring seal complete 1ST.-R.	2	PC
140	6.362-468.0	O-Ring seal complete 1ST.-R.	1	PC
150	6.362-481.0	O-Ring seal 14,0 x 2,0 NBR 80	6	PC
160	6.362-092.0	O-Ring seal 36,0 X 2,0-NBR 70	3	PC
170	6.362-547.0	O-Ring seal 20,0x1,5-NBR 70	2	PC
180	6.362-796.0	O-Ring seal 107,62X 2,62	1	PC
190	6.363-003.0	O-Ring seal 13,0 X 2,0-NBR 90	6	PC
200	6.365-052.0	Grooved ring 20X28X6/8	3	PC
210	6.365-053.0	Compact seal 20X30X6	3	PC
220	6.365-330.0	Grooved ring	3	PC



20 Valve (3 Stueck) (2.884-512.0)

POS	Article no.	Description	Quantity	Unit
5	6.363-003.0	O-Ring seal 13,0 X 2,0-NBR 90	1	PC

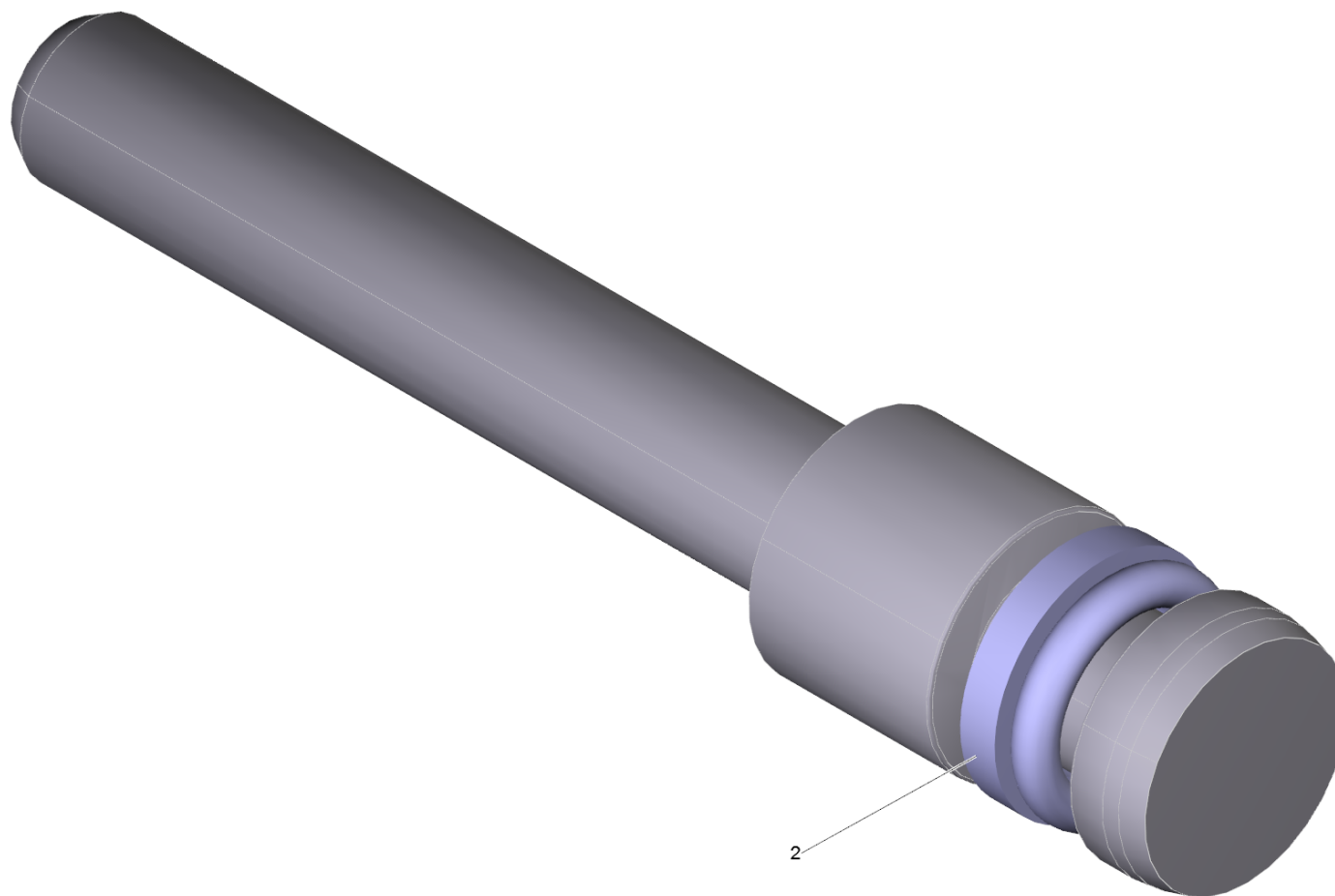


23 Cylinder head

POS	Article no.	Description	Quantity	Unit	Foot note text
1	5.402-705.3	Joining piece	1	PC	
2	5.367-003.0	Diaphragm	2	PC	
3	5.034-494.0	Retaining bracket	2	PC	
4	5.411-148.0	Screw plug	2	PC	
5	5.332-268.0	Helical spring	2	PC	
6	5.583-161.0	Valve screw	1	PC	
7	6.362-481.0	O-Ring seal 14,0 x 2,0 NBR 80	6	PC	
8	4.580-262.0	Valve complete	1	PC	
9	5.115-796.0	Washer	2	PC	
10	4.553-197.0	Piston complete only for replacement	2	PC	
11	6.363-037.0	O-Ring seal complete 1ST.-R.	2	PC	
12	5.583-170.0	Valve screw	1	PC	
13	6.388-167.0	Hose DN15	1	m	TO ORDER AS CUT GOODS
14	7.362-003.0	Joint ring A10x13,5 -Cu DIN 7603	1	PC	
15	6.389-635.0	High pressure hose pressure gauge	1	PC	
16	7.311-002.0	Hexagon nut M5 -6-A2E ISO 4032	1	PC	
17	7.307-017.0	Threaded pin M5x40 -St-45H-A2E ISO 4026	1	PC	
18	5.304-070.0	Hexagonal head screw	1	PC	
19	7.401-931.0	Sphere 5 KI3 -1.4401 DIN 5401	1	PC	
20	5.582-121.0	Valve disc	1	PC	
21	5.404-082.0	Hollow screw	1	PC	
22	5.332-444.0	Helical spring	1	PC	
23	5.584-114.0	Valve pin	1	PC	
24	5.311-204.0	Hexagon nut M22x1,5	1	PC	
25	4.553-198.0	Piston complete only for replacement	1	PC	
26	6.362-468.0	O-Ring seal complete 1ST.-R.	1	PC	
27	6.391-596.0	High pressure hose DN 13	1	PC	
28	6.362-151.0	O-Ring d. 10 x 2 NBR 70	1	PC	
29	5.583-146.3	Valve screw	3	PC	
30	6.363-003.0	O-Ring seal 13,0 X 2,0-NBR 90	6	PC	
31	6.362-381.0	O-Ring seal 13x2 - NBR 70	2	PC	
32	2.884-512.0	Valve (3 Stueck)	2	PC	
33	5.583-168.0	Valve screw safety valve	1	PC	

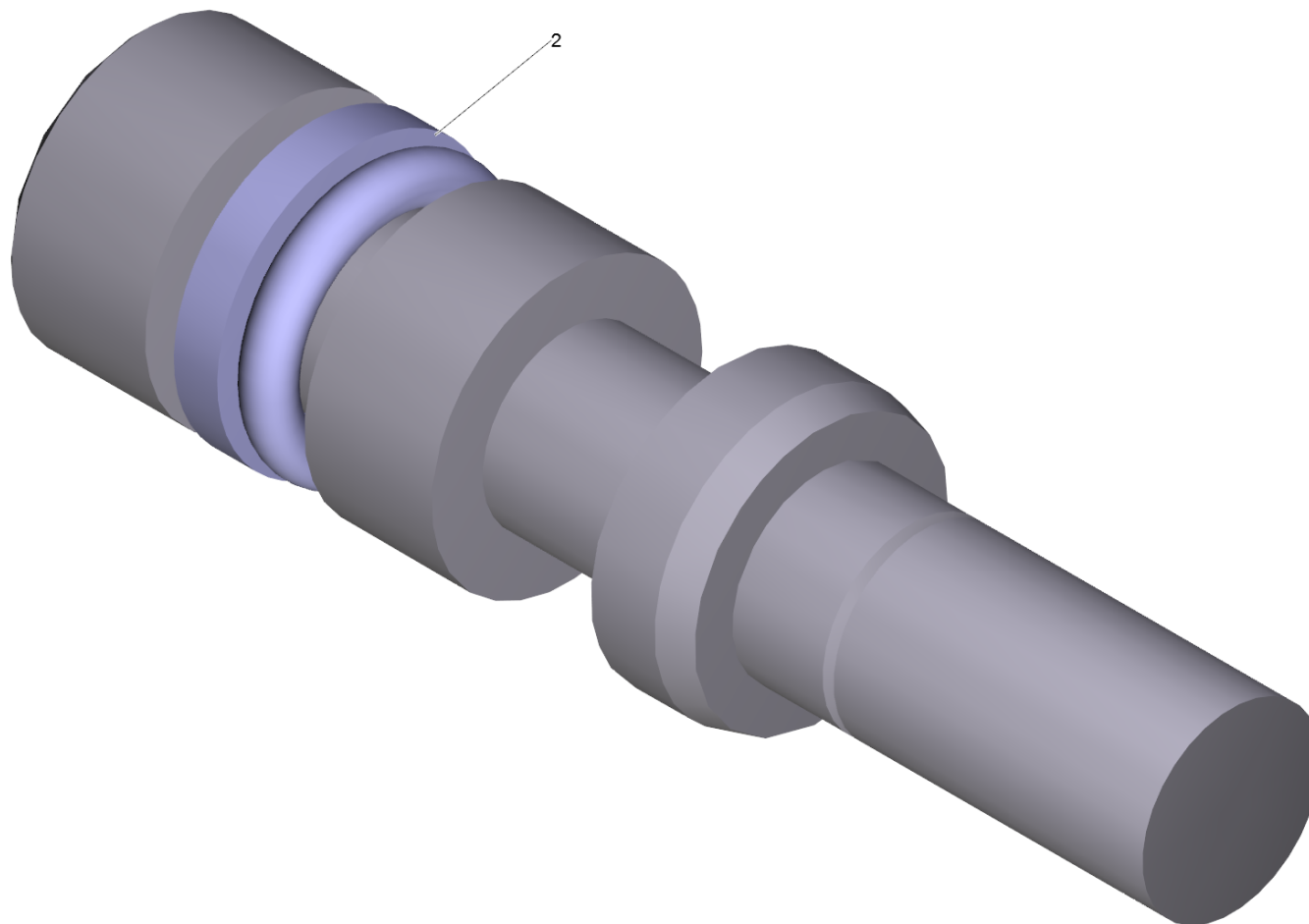
23 Cylinder head

POS	Article no.	Description	Quantity	Unit	Foot note text
34	6.362-169.0	O-Ring seal 12,0 X 2,0	1	PC	
35	5.332-473.0	Helical spring	1	PC	
36	5.584-122.0	Valve pin	1	PC	
37	4.582-019.0	Valve disc complete	1	PC	
38	5.322-103.0	Handle	1	PC	
39	5.110-865.0	Sleeve	1	PC	
40	5.587-202.0	Valve housing	1	PC	
41	6.362-077.0	O-Ring seal 10 x 2,2 NBR 70	1	PC	
42	4.580-349.0	Valve complete chemistry	1	PC	
43	4.580-589.0	Valve with slot	1	PC	
44	5.443-474.0	Hose stem	1	PC	
45	7.306-155.0	Cylinder head screw M12x100 -8.8-A3E IS	4	PC	
46	4.550-535.0	Cylinder head complete only for replacem	1	PC	
47	5.110-853.0	Sleeve	2	PC	
48	6.362-853.0	O-Ring seal 4,47x1,78	1	PC	
49	6.362-547.0	O-Ring seal 20,0x1,5-NBR 70	2	PC	
50	7.306-043.0	Cylinder head screw M8x30 -8.8-A2E ISO	5	PC	
51	6.362-079.0	O-Ring seal 18,0 X 2,5	1	PC	
52	6.505-025.0	Pressure accumulator	1	PC	
53	7.362-005.0	Joint ring A14x18 -Cu DIN 7603	1	PC	
54	5.581-239.0	Valve seat	1	PC	
55	6.362-386.0	O-Ring seal 5,0 x 1,5-NBR 80	1	PC	
56	5.581-231.0	Valve seat	1	PC	
57	6.362-703.0	O-Ring seal 6,0x1,5-NBR 70	1	PC	
100	2.883-913.0	Spare part set pump	1	PC	



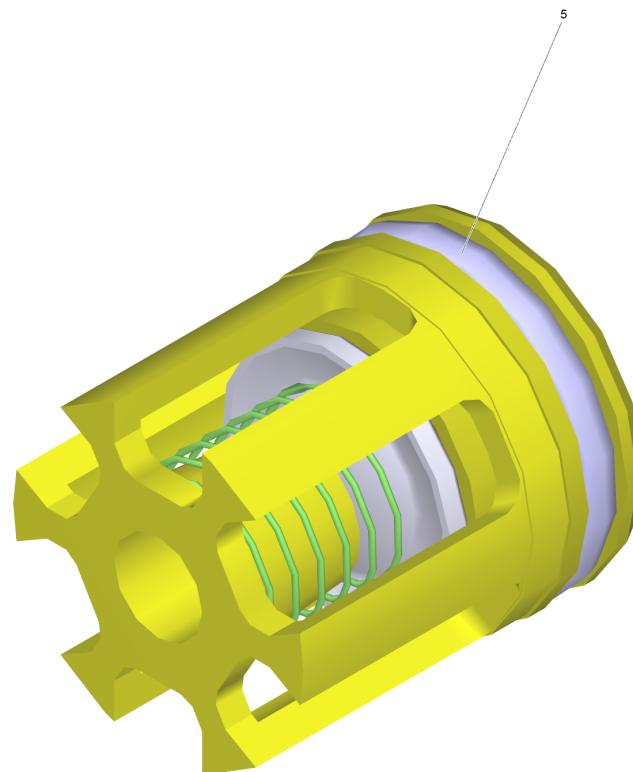
10 Piston complete only for replacement (4.553-197.0)

POS	Article no.	Description	Quantity	Unit
2	6.363-037.0	O-Ring seal complete 1ST.-R.	1	PC



25 Piston complete only for replacement (4.553-198.0)

POS	Article no.	Description	Quantity	Unit
2	6.362-468.0	O-Ring seal complete 1ST.-R.	1	PC

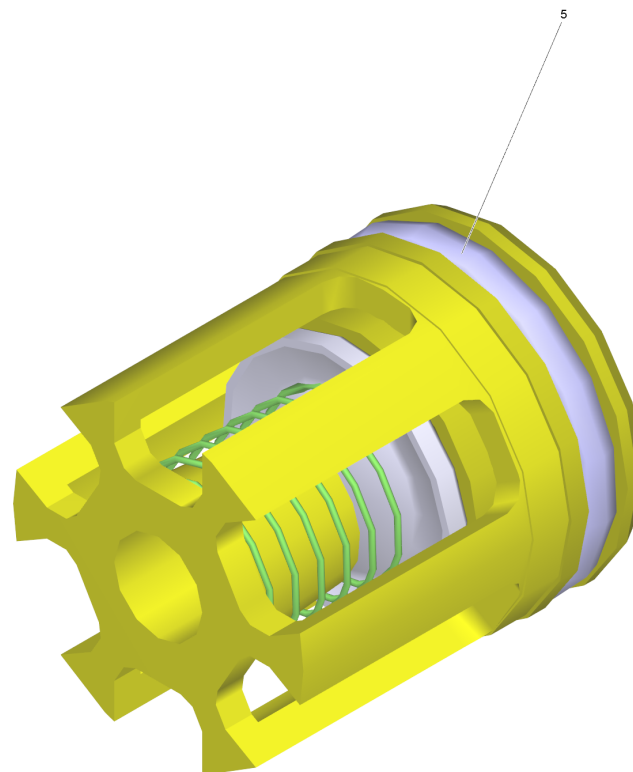


32 Valve (3 Stueck) (2.884-512.0)

POS	Article no.	Description	Quantity	Unit
5	6.363-003.0	O-Ring seal 13,0 X 2,0-NBR 90	1	PC

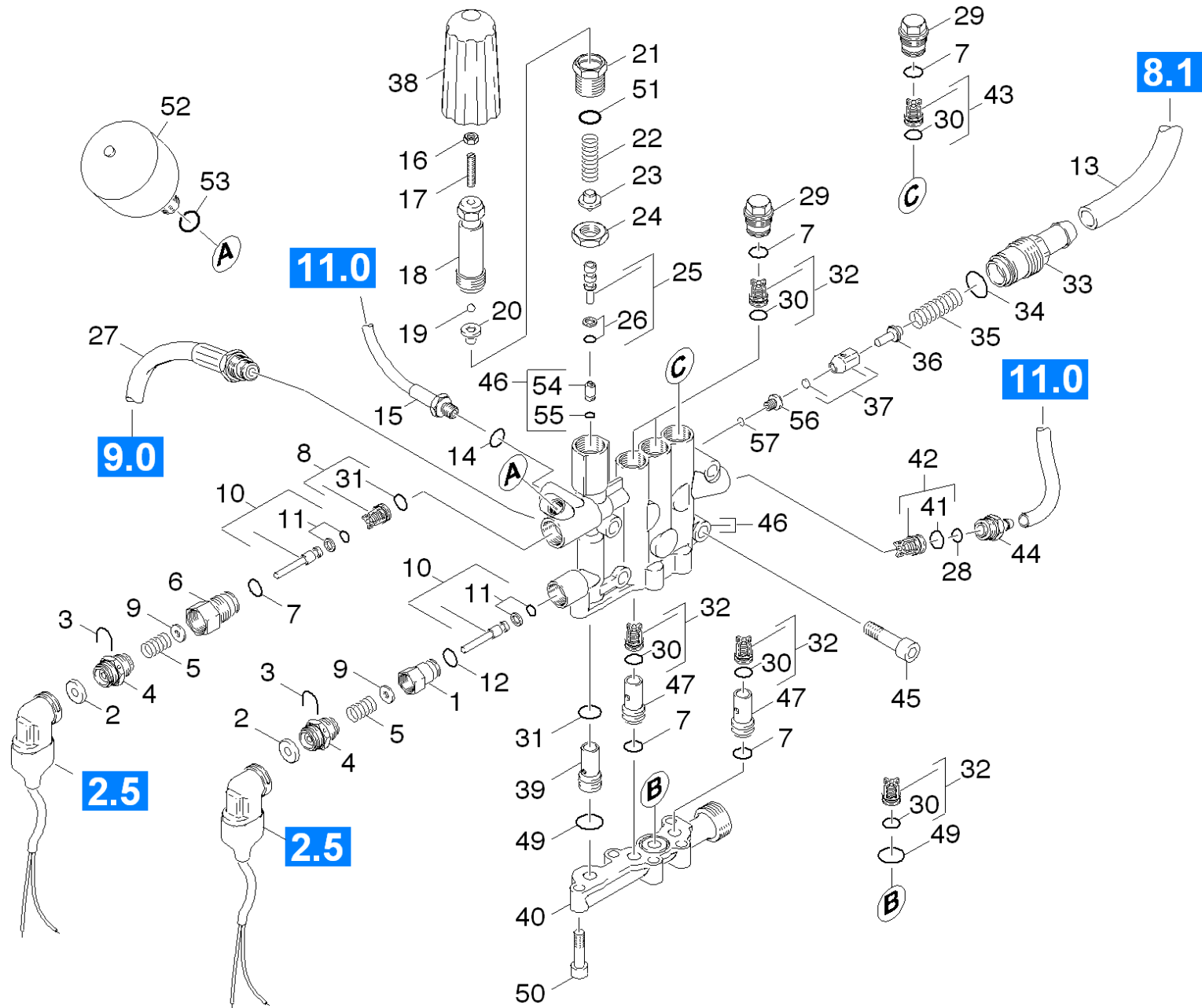
100 Spare part set pump (2.883-913.0)

POS	Article no.	Description	Quantity	Unit
10	4.580-262.0	Valve complete	1	PC
20	2.884-512.0	Valve (3 Stueck)	2	PC
30	4.580-349.0	Valve complete chemistry	1	PC
50	4.582-019.0	Valve disc complete	1	PC
60	5.034-494.0	Retaining bracket	2	PC
70	5.115-537.0	Washer	3	PC
80	5.115-538.0	Washer	3	PC
90	5.115-796.0	Washer	2	PC
100	5.584-122.0	Valve pin	1	PC
110	6.362-151.0	O-Ring d. 10 x 2 NBR 70	1	PC
120	6.362-169.0	O-Ring seal 12,0 X 2,0	1	PC
130	6.363-037.0	O-Ring seal complete 1ST.-R.	2	PC
140	6.362-468.0	O-Ring seal complete 1ST.-R.	1	PC
150	6.362-481.0	O-Ring seal 14,0 x 2,0 NBR 80	6	PC
160	6.362-092.0	O-Ring seal 36,0 X 2,0-NBR 70	3	PC
170	6.362-547.0	O-Ring seal 20,0x1,5-NBR 70	2	PC
180	6.362-796.0	O-Ring seal 107,62X 2,62	1	PC
190	6.363-003.0	O-Ring seal 13,0 X 2,0-NBR 90	6	PC
200	6.365-052.0	Grooved ring 20X28X6/8	3	PC
210	6.365-053.0	Compact seal 20X30X6	3	PC
220	6.365-330.0	Grooved ring	3	PC



20 Valve (3 Stueck) (2.884-512.0)

POS	Article no.	Description	Quantity	Unit
5	6.363-003.0	O-Ring seal 13,0 X 2,0-NBR 90	1	PC

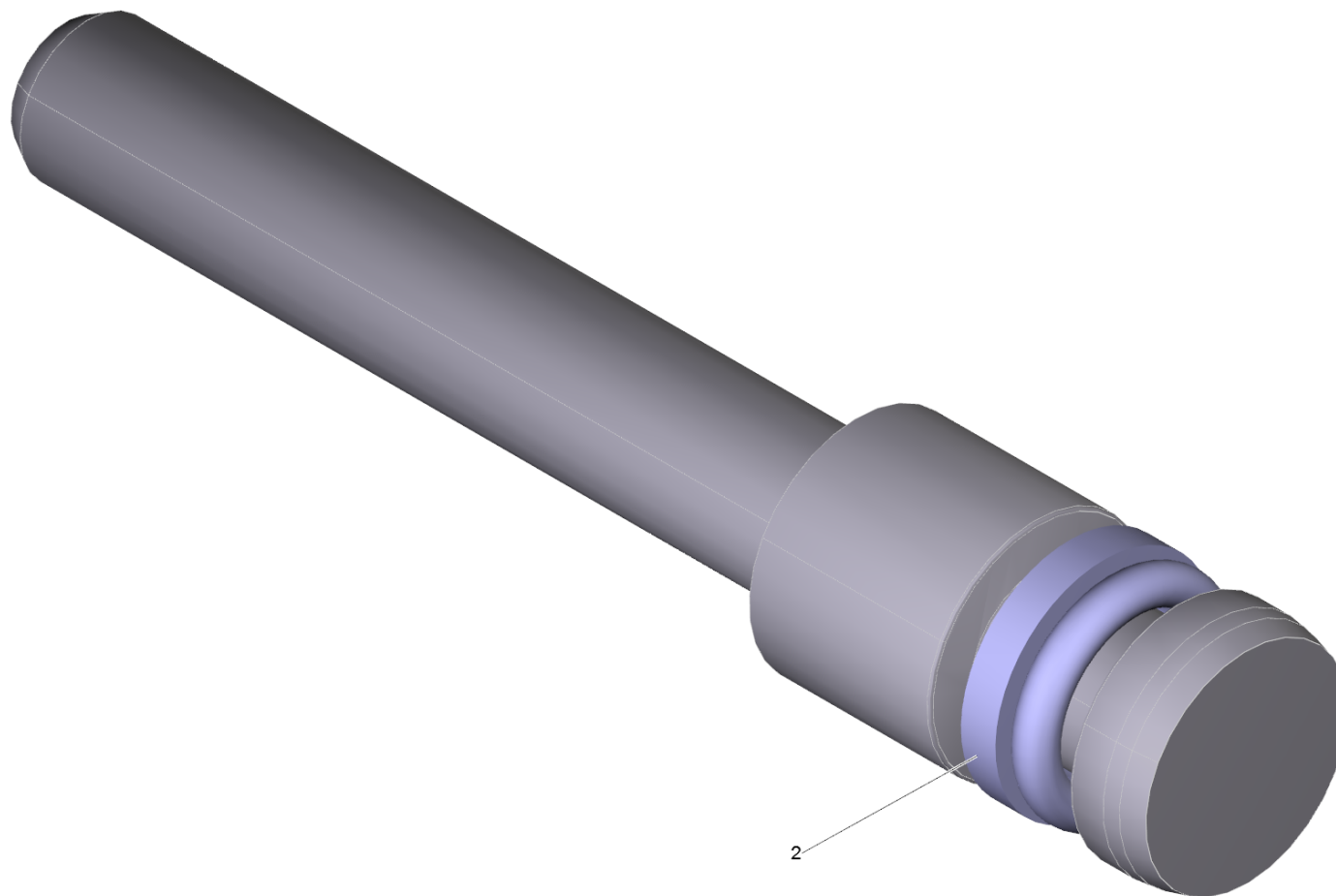


24 Cylinder head

POS	Article no.	Description	Quantity	Unit	Foot note text
1	5.402-705.3	Joining piece	1	PC	
2	5.367-003.0	Diaphragm	2	PC	
3	5.034-494.0	Retaining bracket	2	PC	
4	5.411-148.0	Screw plug	2	PC	
5	5.332-268.0	Helical spring	2	PC	
6	5.583-161.0	Valve screw	1	PC	
7	6.362-481.0	O-Ring seal 14,0 x 2,0 NBR 80	6	PC	
8	4.580-262.0	Valve complete	1	PC	
9	5.115-796.0	Washer	2	PC	
10	4.553-197.0	Piston complete only for replacement	2	PC	
11	6.363-037.0	O-Ring seal complete 1ST.-R.	2	PC	
12	6.362-853.0	O-Ring seal 4,47x1,78	1	PC	
13	6.388-167.0	Hose DN15	1	m	TO ORDER AS CUT GOODS
14	7.362-003.0	Joint ring A10x13,5 -Cu DIN 7603	1	PC	
15	6.389-635.0	High pressure hose pressure gauge	1	PC	
16	7.311-002.0	Hexagon nut M5 -6-A2E ISO 4032	1	PC	
17	7.307-017.0	Threaded pin M5x40 -St-45H-A2E ISO 4026	1	PC	
18	5.304-070.0	Hexagonal head screw	1	PC	
19	7.401-931.0	Sphere 5 KI3 -1.4401 DIN 5401	1	PC	
20	5.582-121.0	Valve disc	1	PC	
21	5.404-082.0	Hollow screw	1	PC	
22	5.332-444.0	Helical spring	1	PC	
23	5.584-114.0	Valve pin	1	PC	
24	5.311-204.0	Hexagon nut M22x1,5	1	PC	
25	4.553-198.0	Piston complete only for replacement	1	PC	
26	6.362-468.0	O-Ring seal complete 1ST.-R.	1	PC	
27	6.391-596.0	High pressure hose DN 13	1	PC	
28	6.362-151.0	O-Ring d. 10 x 2 NBR 70	1	PC	
29	5.583-146.3	Valve screw	3	PC	
30	6.363-003.0	O-Ring seal 13,0 X 2,0-NBR 90	6	PC	
31	6.362-381.0	O-Ring seal 13x2 - NBR 70	2	PC	
32	2.884-512.0	Valve (3 Stueck)	1	PC	
33	5.583-168.0	Valve screw safety valve	1	PC	

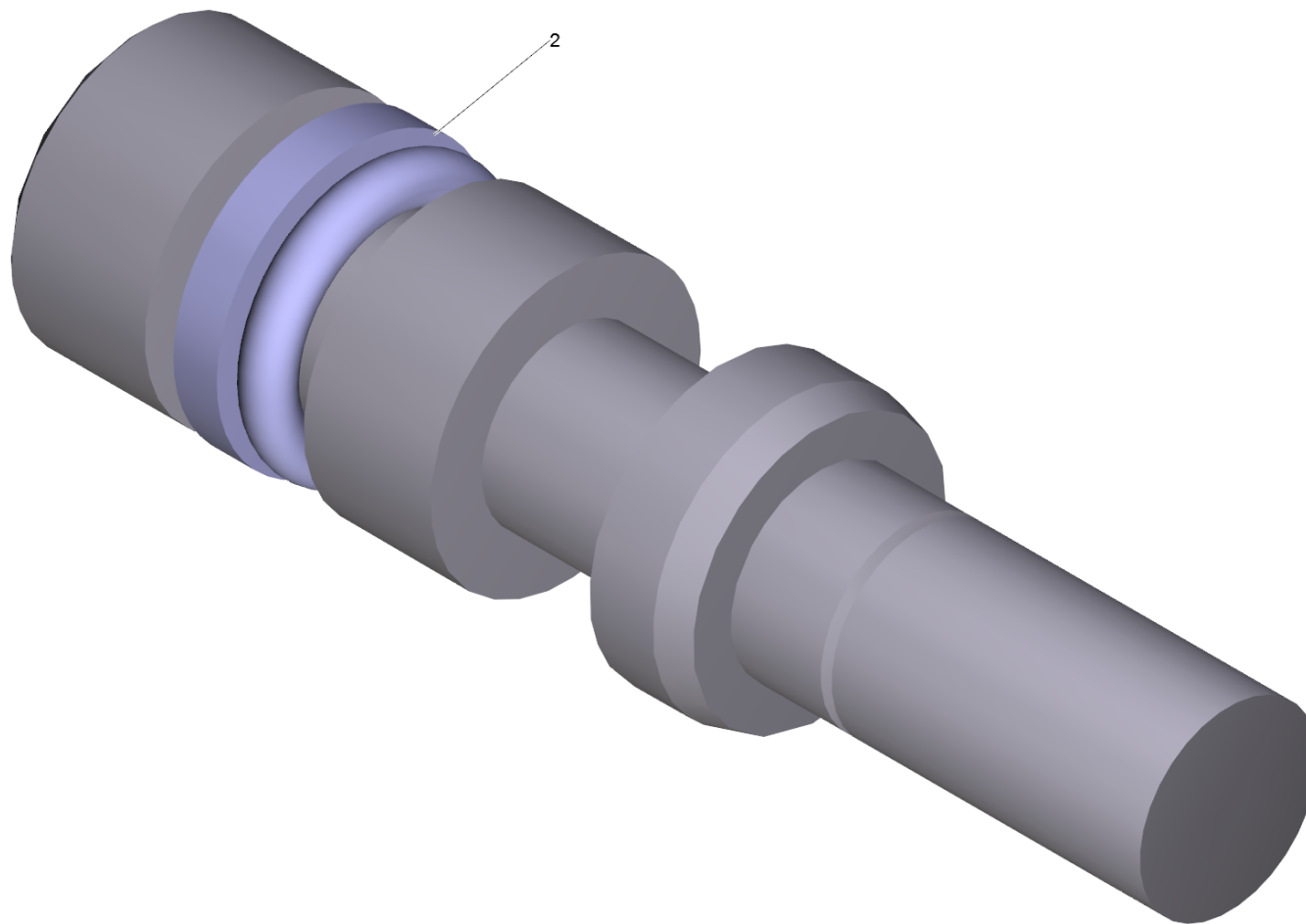
24 Cylinder head

POS	Article no.	Description	Quantity	Unit	Foot note text
34	6.362-169.0	O-Ring seal 12,0 X 2,0	1	PC	
35	5.332-473.0	Helical spring	1	PC	
36	5.584-122.0	Valve pin	1	PC	
37	4.582-019.0	Valve disc complete	1	PC	
38	5.322-103.0	Handle	1	PC	
39	5.110-865.0	Sleeve	1	PC	
40	5.587-202.0	Valve housing	1	PC	
41	6.362-077.0	O-Ring seal 10 x 2,2 NBR 70	1	PC	
42	4.580-349.0	Valve complete chemistry	1	PC	
43	4.580-589.0	Valve with slot	1	PC	
44	5.443-474.0	Hose stem	1	PC	
45	7.306-155.0	Cylinder head screw M12x100 -8.8-A3E IS	4	PC	
46	4.550-607.3	Cylinder head complete only for replacem	1	PC	
47	5.110-853.0	Sleeve	2	PC	
49	6.362-547.0	O-Ring seal 20,0x1,5-NBR 70	2	PC	
50	7.306-043.0	Cylinder head screw M8x30 -8.8-A2E ISO	5	PC	
51	6.362-079.0	O-Ring seal 18,0 X 2,5	1	PC	
52	6.505-054.0	Pressure accumulator	1	PC	
53	6.362-176.0	O-Ring seal 6,07x1,78	1	PC	
54	5.581-239.0	Valve seat	1	PC	
55	6.362-386.0	O-Ring seal 5,0 x 1,5-NBR 80	1	PC	
56	5.581-231.0	Valve seat	1	PC	
57	6.362-703.0	O-Ring seal 6,0x1,5-NBR 70	1	PC	
100	2.883-913.0	Spare part set pump	1	PC	



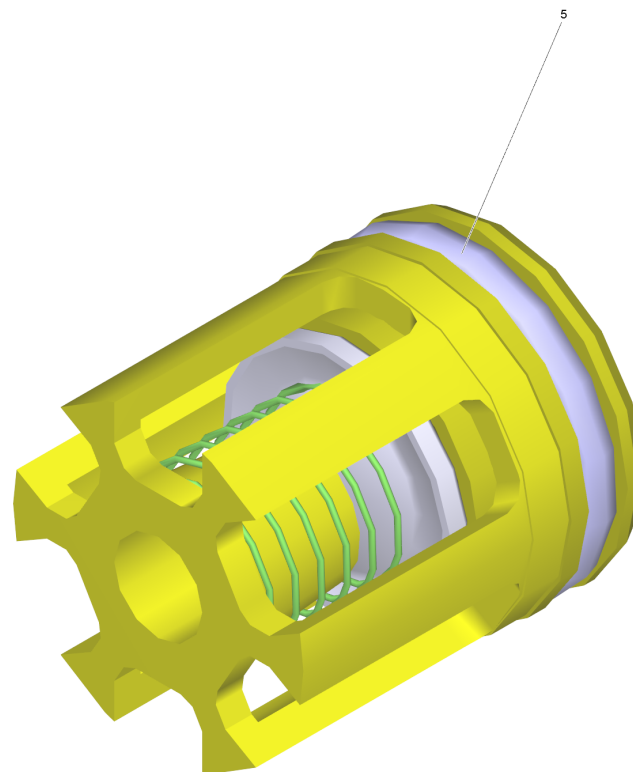
10 Piston complete only for replacement (4.553-197.0)

POS	Article no.	Description	Quantity	Unit
2	6.363-037.0	O-Ring seal complete 1ST.-R.	1	PC



25 Piston complete only for replacement (4.553-198.0)

POS	Article no.	Description	Quantity	Unit
2	6.362-468.0	O-Ring seal complete 1ST.-R.	1	PC

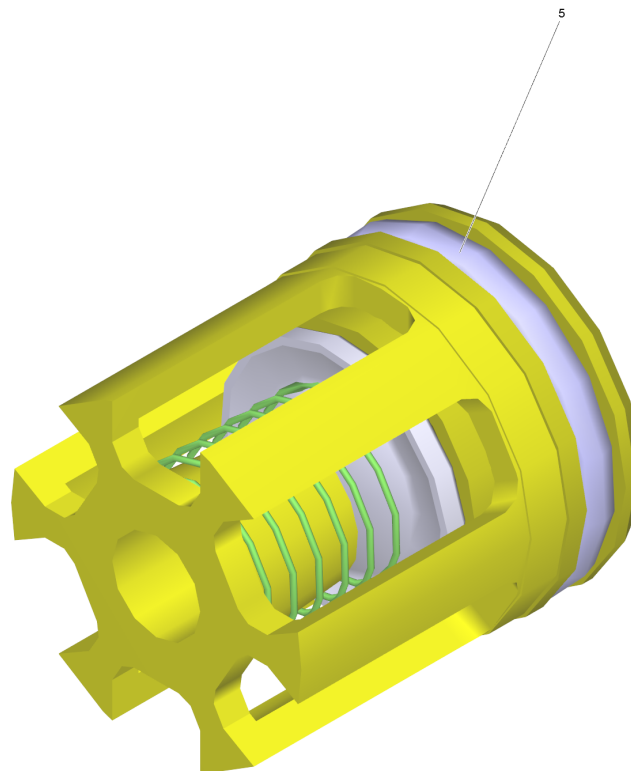


32 Valve (3 Stueck) (2.884-512.0)

POS	Article no.	Description	Quantity	Unit
5	6.363-003.0	O-Ring seal 13,0 X 2,0-NBR 90	1	PC

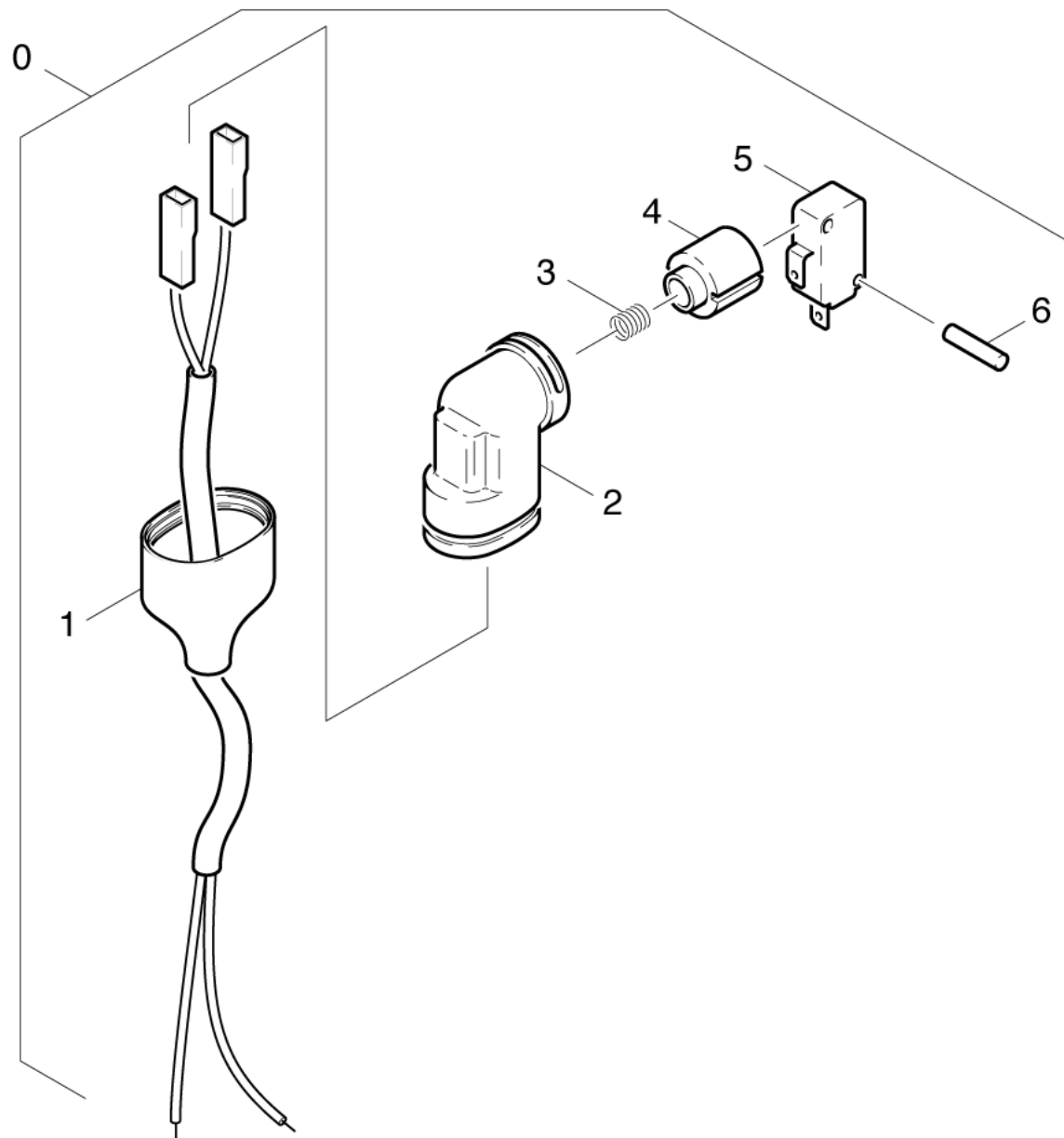
100 Spare part set pump (2.883-913.0)

POS	Article no.	Description	Quantity	Unit
10	4.580-262.0	Valve complete	1	PC
20	2.884-512.0	Valve (3 Stueck)	2	PC
30	4.580-349.0	Valve complete chemistry	1	PC
50	4.582-019.0	Valve disc complete	1	PC
60	5.034-494.0	Retaining bracket	2	PC
70	5.115-537.0	Washer	3	PC
80	5.115-538.0	Washer	3	PC
90	5.115-796.0	Washer	2	PC
100	5.584-122.0	Valve pin	1	PC
110	6.362-151.0	O-Ring d. 10 x 2 NBR 70	1	PC
120	6.362-169.0	O-Ring seal 12,0 X 2,0	1	PC
130	6.363-037.0	O-Ring seal complete 1ST.-R.	2	PC
140	6.362-468.0	O-Ring seal complete 1ST.-R.	1	PC
150	6.362-481.0	O-Ring seal 14,0 x 2,0 NBR 80	6	PC
160	6.362-092.0	O-Ring seal 36,0 X 2,0-NBR 70	3	PC
170	6.362-547.0	O-Ring seal 20,0x1,5-NBR 70	2	PC
180	6.362-796.0	O-Ring seal 107,62X 2,62	1	PC
190	6.363-003.0	O-Ring seal 13,0 X 2,0-NBR 90	6	PC
200	6.365-052.0	Grooved ring 20X28X6/8	3	PC
210	6.365-053.0	Compact seal 20X30X6	3	PC
220	6.365-330.0	Grooved ring	3	PC



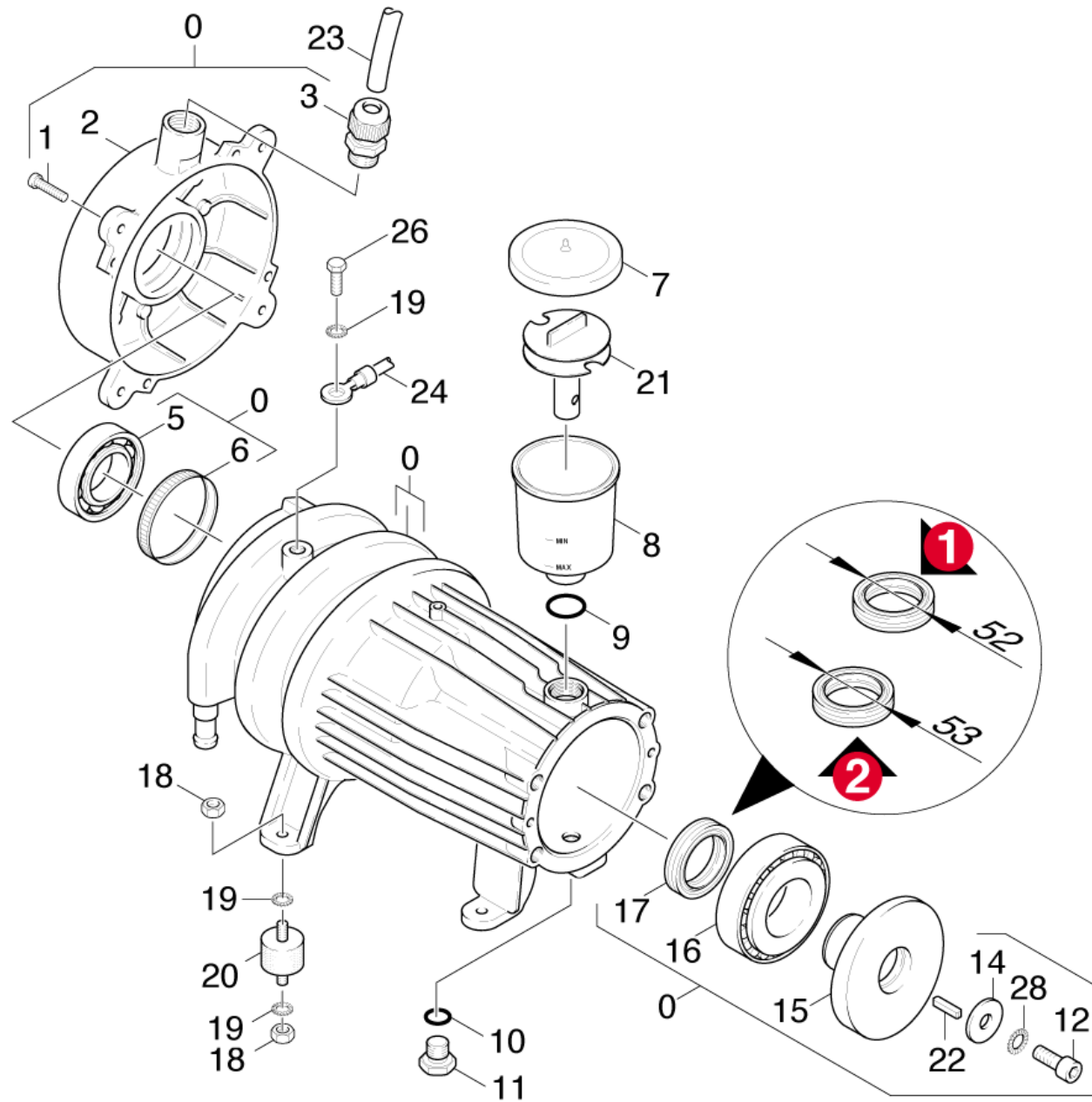
20 Valve (3 Stueck) (2.884-512.0)

POS	Article no.	Description	Quantity	Unit
5	6.363-003.0	O-Ring seal 13,0 X 2,0-NBR 90	1	PC



25 Switch

POS	Article no.	Description	Quantity	Unit
0	4.744-001.0	Switch complete -nur fuer Ersatz-	2	PC
1	6.648-111.0	Control cable	1	PC
2	5.042-860.0	Holder	1	PC
3	5.332-322.0	Spring	1	PC
4	5.053-051.0	Bracket	1	PC
5	6.631-807.0	Micro switch	1	PC
6	7.314-664.0	Straight grooved pin 3,0x20-KU ISO 8740	1	PC



30 Motor

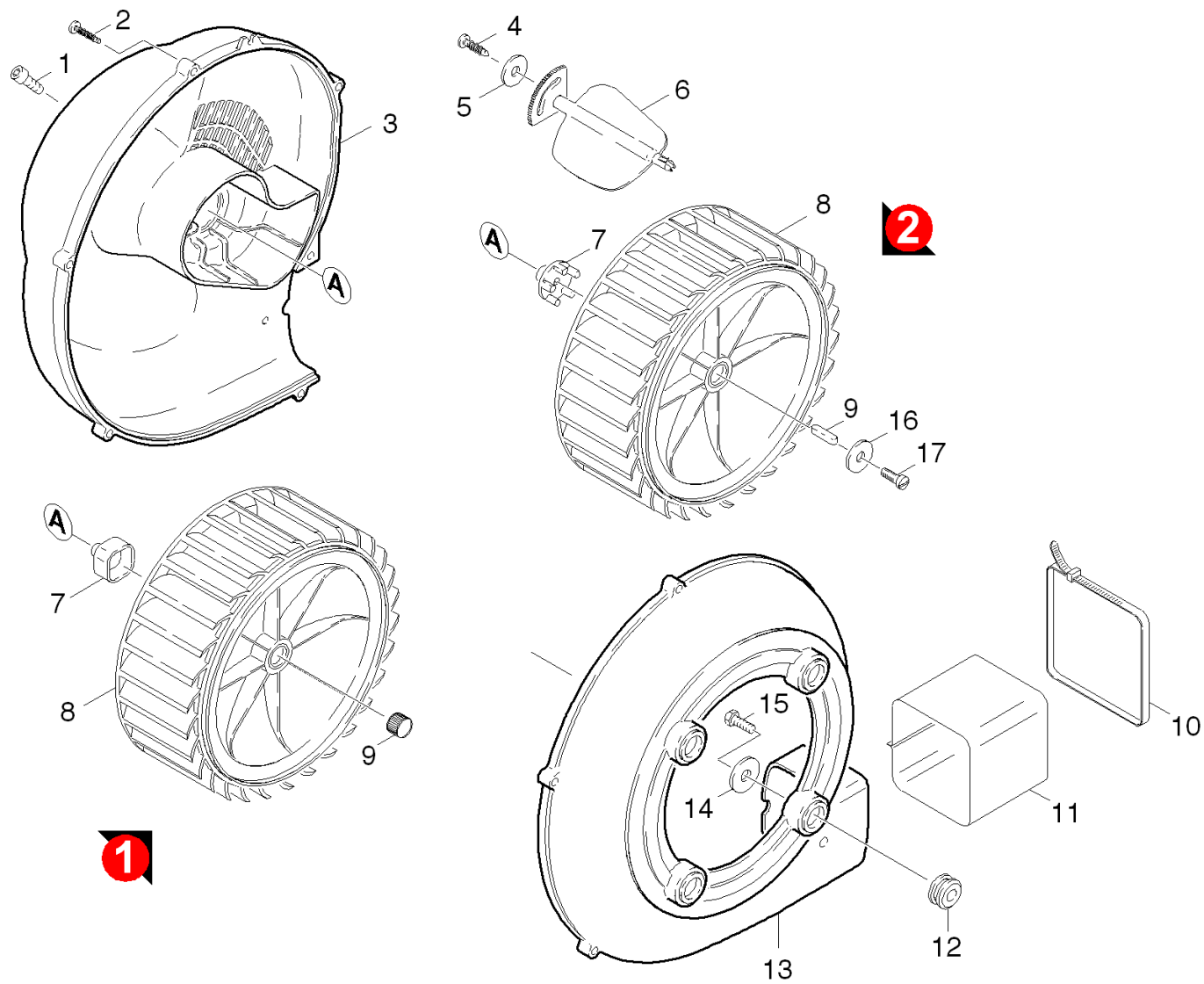
POS	Article no.	Description	Quantity	Unit	Remark	Foot note text
0	4.623-477.0	Motor complete	1	PC		
	Item text1: / 1.027-301.0 / -302.0 / -305.0 / -306.0 / -307.0 / -312.0 / -314.0 / -320.0 / -321.0					
0	4.623-756.0	Motor complete	1	PC		
	Item text1: / 1.027-301.0/ -305.0/ -306.0					
	Item text2: / -307.0 / -312.0 / -314.0/-320.0					
0	4.623-760.0	Motor complete	1	PC		
	Item text1: / 1.027-302.0 / -321.0					
0	4.623-761.0	Motor complete	1	PC		
	Item text1: / 1.027-304.0 / -313.0					
0	7.777-999.0	Stockpiling discontinued	1	PC		
	Item text1: / 1.027-304.0 / -313.0					
1	7.303-048.0	Screw M6x20 -St-R3R (In6Rd)	4	PC		
2	5.063-452.0	Cover	1	PC		
3	6.641-356.0	Cable gland PG16	1	PC		
5	6.401-253.0	Ball bearing 6305-2Z	1	PC		
6	6.343-010.0	Tolerance ring 62x10	1	PC		
7	5.064-459.0	Cover grey	1	PC		
8	5.070-048.0	Box	1	PC		
9	6.362-168.0	O-Ring seal 22,3 X 2,4-NBR 70	1	PC		
10	6.363-273.0	O-Ring seal 11,0 x 2,0	1	PC		
11	5.411-100.0	Screw plug	1	PC		
12	7.306-041.0	Cylinder head screw M8x20 -8.8-A2E ISO	1	PC		
14	5.115-565.0	Washer	1	PC		
15	4.120-241.0	Wobble plate -nur für Ersatz-	1	PC		
	Item text1: / 1.027-304.0 / -313.0					
15	5.120-235.3	Wobble plate	1	PC		
	Item text1: / 1.027-301.0 / -302.0 / -305.0 / -306.0 / -307.0 / -312.0 / -314.0 / -320.0 / -321.0					
16	6.401-225.3	Taper roller bearing 41	1	PC		
17	7.367-005.0	Radial shaft seal ring A35x53x7-NBR DIN	1	PC	VERSION 2	
17	7.367-009.0	Radial shaft seal ring A35x52x7-NBR DIN	1	PC	VERSION 1	
18	7.311-004.0	Hexagon nut M8 -8-A3E ISO 4032	8	PC		

30 Motor

POS	Article no.	Description	Quantity	Unit	Remark	Foot note text
19	7.312-166.0	Toothed lock washer A8,4-FSt-A3E DIN 6797	9	PC		
20	6.339-060.0	Rubber buffer M8	4	PC		
21	5.030-389.0	Moulded part	1	PC		
22	7.318-035.0	Parallel key 8x7x25 -C45K DIN 6885-1	1	PC		
23	6.642-011.0	Insulating hose 10	2	m		TO ORDER AS CUT GOODS
24	4.820-430.0	Cable green/yellow 1,5mm ² x450mm	1	PC		
26	6.303-031.0	Screw M8x16-ST-R2R DIN 7500-1	1	PC		
28	7.312-166.0	Toothed lock washer A8,4-FSt-A3E DIN 6797	1	PC		

15 Wobble plate (5.120-235.3)

POS	Article no.	Description	Quantity	Unit
2	6.590-355.0	Bag PE 130x140 mm neutral	1	PC
4	6.376-036.0	Label spare parts neutrally 65x55 MM	1	ZST

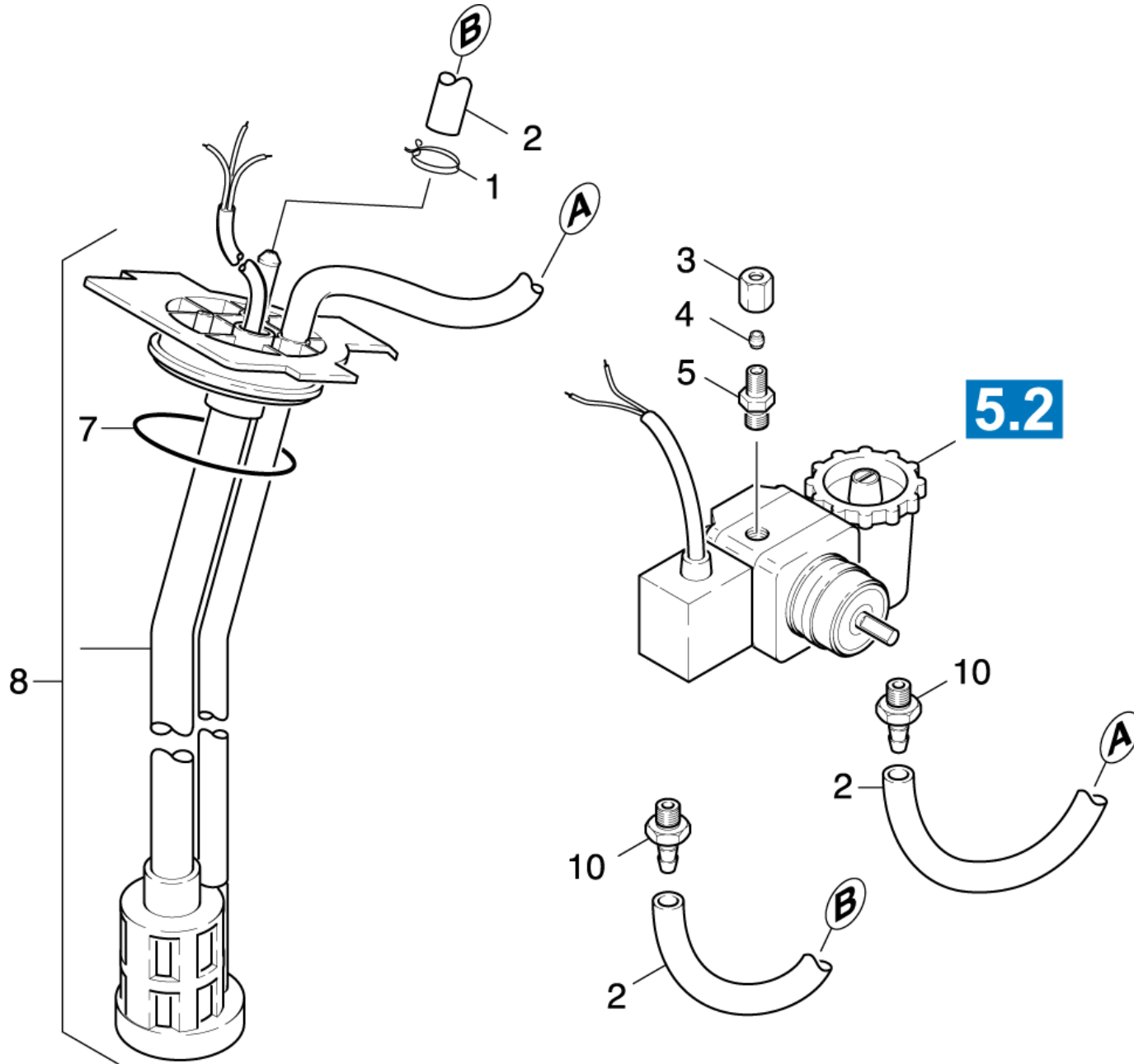


40 Blower

POS	Article no.	Description	Quantity	Unit	Foot note text
1	7.306-090.0	Screw M6x16 -8.8-P2R (In6Rd)	1	PC	
2	7.303-084.0	Screw 4x25 -10.9-R2R (K-In6Rd)	6	PC	
3	5.063-457.0	Cover blower	1	PC	
4	7.303-077.0	Sheet metal screw ST4,8X16-ST-R2R (IN6R	1	PC	
5	7.312-278.0	Washer 5-200HV-A2E ISO7093-1	1	PC	
6	5.606-005.0	Air flap	1	PC	
7	5.471-060.0	Coupling element	1	PC	VERSION 1
7	5.471-097.0	Coupler fuel pump	1	PC	VERSION 2
8	5.600-045.0	Blower wheel	1	PC	VERSION 1
8	5.600-080.0	Blower wheel with groove	1	PC	VERSION 2
9	6.343-027.0	Tolerance ring D17X16	1	PC	VERSION 1
9	7.318-058.0	Parallel key 4x4x20-1.4301 DIN 6885	1	PC	VERSION 2
10	6.388-608.0	Tightening strap	2	PC	
11	5.178-026.0	Cloth collar	1	PC	
12	5.379-019.0	Rubber ring	4	PC	
13	5.605-168.0	Housing blower	1	PC	
14	7.312-260.0	Washer 6 -100HV-A3E ISO 7094	4	PC	
15	7.303-048.0	Screw M6x20 -St-R3R (In6Rd)	4	PC	
16	7.312-264.0	Washer 5-100HV-A3E ISO 7094	1	PC	VERSION 2
17	7.306-071.0	Screw M5x10 -8.8-R2R (In6Rd)	1	PC	VERSION 2

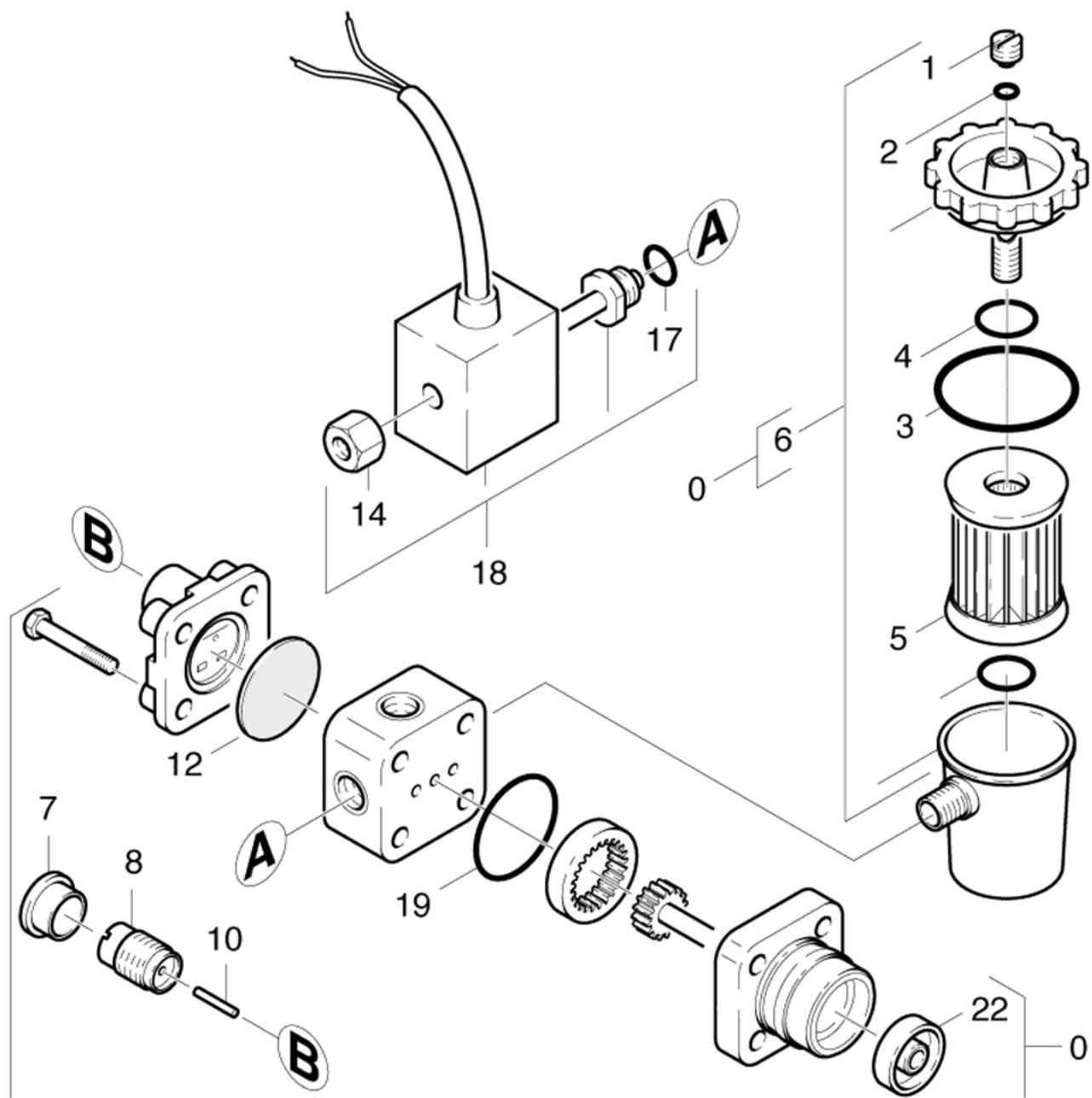
50 Fuel system

POS	Description	Quantity	Unit
51	Fuel pump aspiration	1	PC
52	Fuel pump	1	PC



51 Fuel pump aspiration

POS	Article no.	Description	Quantity	Unit	Foot note text
1	6.389-768.0	Hose clip	1	PC	
2	6.389-534.0	Hose	1	m	TO ORDER AS CUT GOODS
3	6.389-262.0	Union nut A 4-LL	1	PC	
4	6.389-263.0	Cutting ring d.4	1	PC	
5	6.389-261.0	Screw union	1	PC	
7	6.362-855.0	O-Ring seal 56,0 X 4,0	1	PC	
8	4.421-631.0	Pipelines BR.ST.	1	PC	
10	6.472-927.0	Hose stem only for replacement	2	PC	

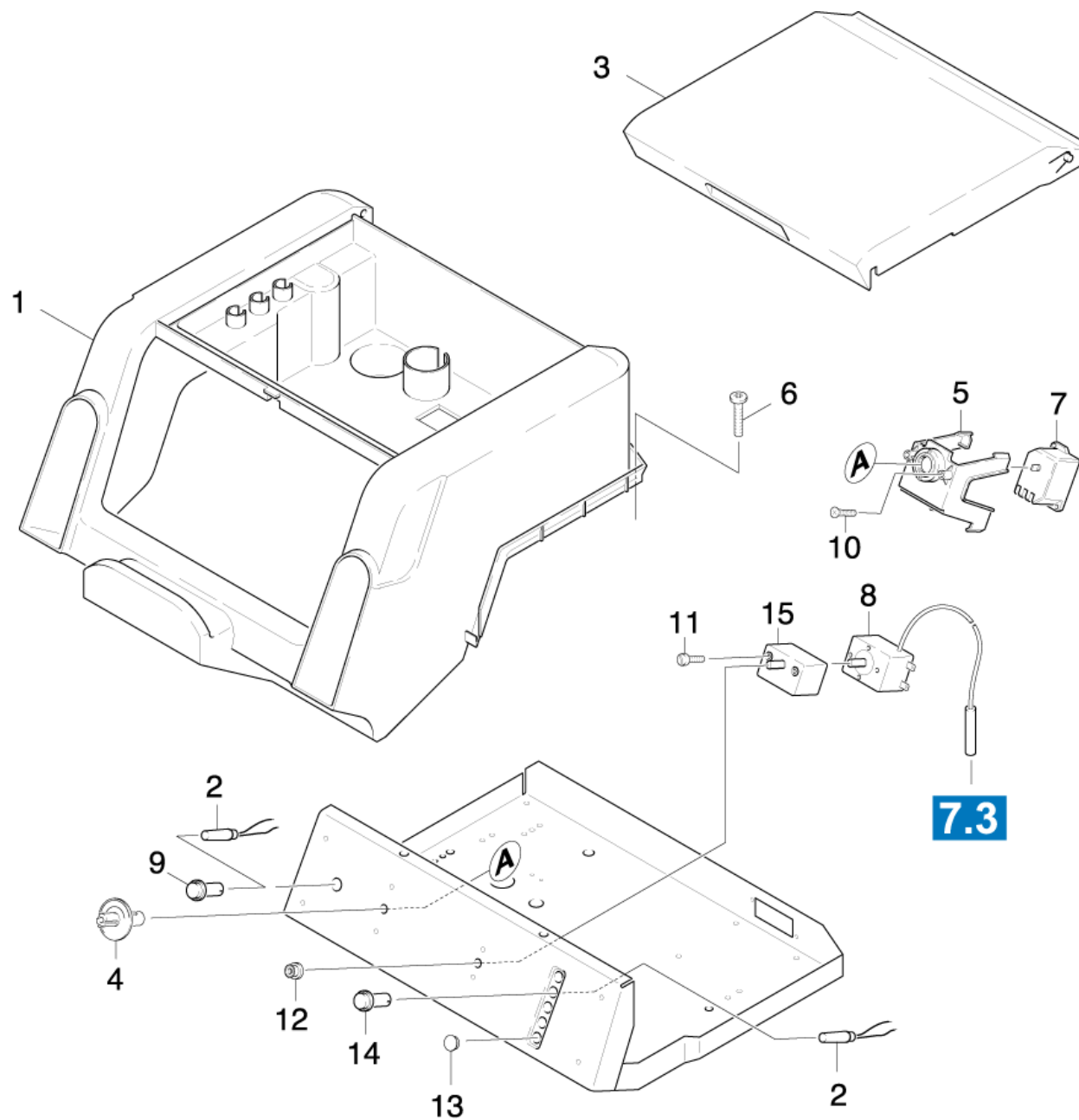


52 Fuel pump

POS	Article no.	Description	Quantity	Unit
0	6.472-925.0	Pump oil burner only for replacement	1	PC
1	6.472-107.0	Screw ventilation	1	PC
2	6.472-106.0	O-Ring seal 5,0 X 1,8	1	PC
3	6.472-111.0	O-Ring seal 32,0 X 1,6	1	PC
4	6.472-112.0	O-Ring seal 10,0 x 2,4 NBR 70	1	PC
5	6.472-113.0	Filter cartridge	1	PC
6	6.472-123.0	Filter housing complete	1	PC
7	6.472-122.0	Protecting cap	1	PC
8	6.472-109.0	Housing spring	1	PC
10	6.472-108.0	Pin	1	PC
12	6.472-128.0	Diaphragm	1	PC
14	6.472-340.0	Knurled nut	1	PC
17	6.472-125.0	O-Ring seal 12,0 X 1,5	1	PC
18	6.472-411.0	Solenoid valve	1	PC
19	6.472-120.0	O-Ring seal 28,5 X 1,6	1	PC
22	6.472-105.0	Seal axle	1	PC

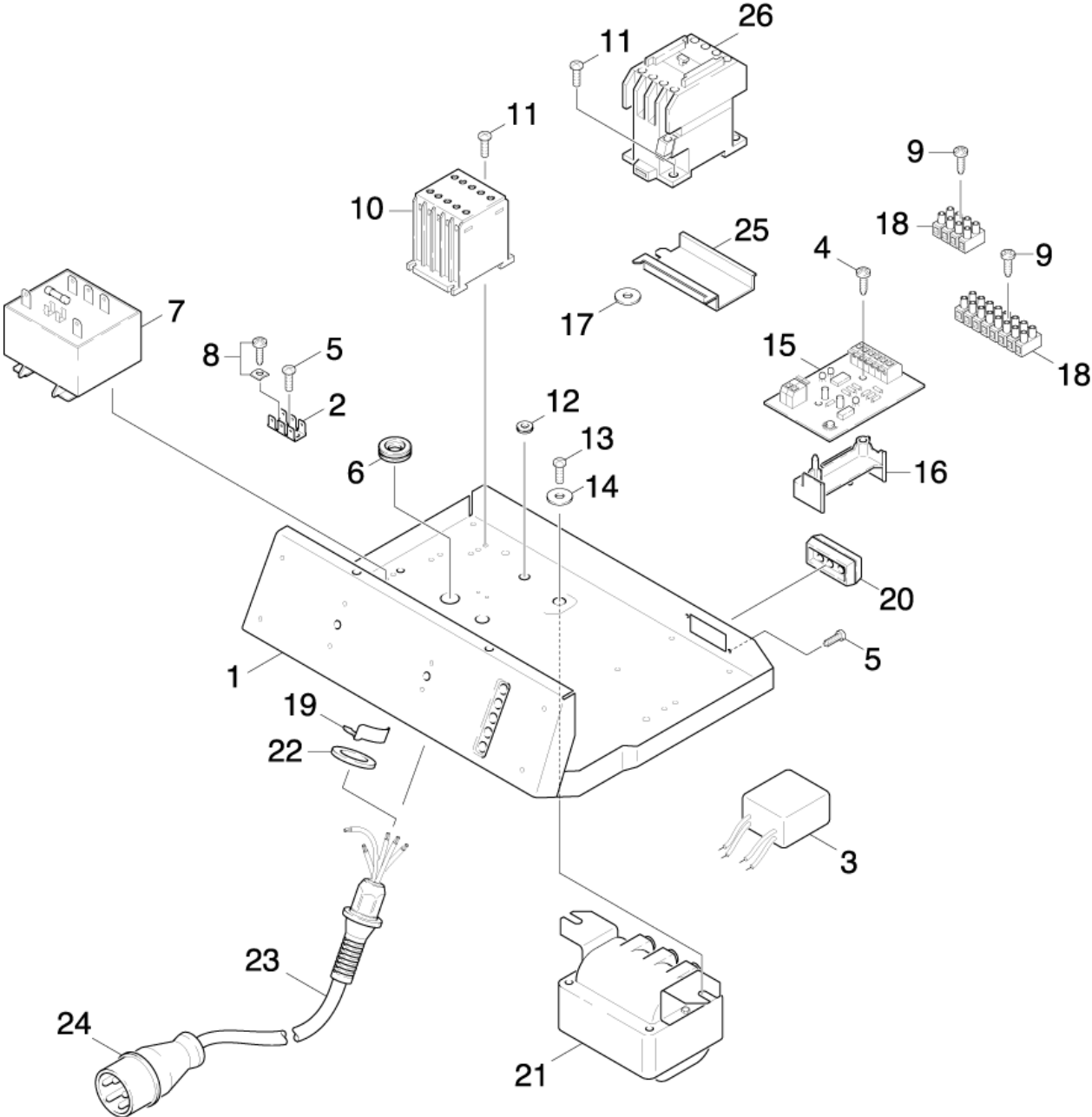
60 Electric control box

POS	Description	Quantity	Unit
61	Top part	1	PC
62	Bottom part	1	PC



61 Top part

POS	Article no.	Description	Quantity	Unit
1	5.067-198.0	Cover	1	PC
2	4.651-026.0	Pilot lamp only for replacement	4	PC
3	5.031-914.0	Flap	1	PC
4	5.100-335.0	Shaft switch CONDOR	1	PC
5	5.044-412.0	Holder (CONDOR-SCHAER)	1	PC
6	7.303-045.0	Screw M5x55 -St-ZNBHL (In6Rd)	2	PC
7	6.631-190.0	Motor protecting switch	1	PC
	Item text1: / 1.027-301.0 / -305.0 / -306.0			
	Item text2: / -307.0 / -312.0 / -314.0 / -320.0			
7	6.631-428.0	Motor protecting switch -22-27A	1	PC
	Item text1: / 1.027-302.0 / -304.0 / -313.0			
	Item text2: / -321.0			
8	6.686-173.0	Thermostat	1	PC
9	6.651-421.0	Lens housing green	1	PC
10	7.303-125.0	Countersunk screw 4x16 -10.9-R2R (In6Rd)	2	PC
11	7.306-056.0	Screw M4x8 -8.8-R2R (In6Rd)	2	PC
12	5.365-152.0	Profile gasket	1	PC
13	6.368-076.0	Ornamental hub cap D10/D12	3	PC
14	6.651-316.0	Lens housing red	3	PC
15	6.630-368.0	Switch	1	PC



62 Bottom part

POS	Article no.	Description	Quantity	Unit
1	5.049-551.0	Sheet metal component Item text1: / 1.027-301.0 / -305.0 / -306.0 Item text2: / -307.0 / -314.0 / -320.0	1	PC
1	5.049-657.0	Sheet metal component electric control b Item text1: / 1.027-302.0 / -304.0 / -313.0 Item text2: / -321.0	1	PC
1	7.777-999.0	Stockpiling discontinued Item text1: / 1.027-312.0	1	PC
2	6.641-270.0	Plug	1	PC
3	6.661-229.0	Interference suppressor Item text1: / 1.027-301.0 / -302.0 / -305.0 Item text2: / -307.0 / -312.0 / -314.0 / -320.0	1	PC
4	7.303-035.0	Screw M4x30 -St-R2R (In6Rd) Item text1: / 1.027-301.0 / -302.0 / -304.0 Item text2: / -305.0 / -307.0 / -313.0 / -314.0	1	PC
5	7.303-030.0	Screw M4x8 -St-P2R (In6Rd)	4	PC
6	5.365-158.0	Profile gasket	1	PC
7	4.622-018.0	Control transformer -nur für Ersatz- Item text1: / 1.027-302.0 / -304.0 / -313.0 Item text2: / -321.0	1	PC
7	6.622-241.0	Control transformer 400V Item text1: / 1.027-301.0 / -305.0 / -306.0 Item text2: / -307.0 / -312.0 / -314.0 / -320.0	1	PC
8	6.303-317.0	Screw M4x10-St-A2G	2	PC
9	7.303-501.0	Self-tapping screw M3x20-ST-A2E DIN 7500	4	PC
10	4.632-002.0	Contacteur -nur fuer Ersatz- Item text1: / 1.027-301.0 / -305.0 / -306.0 Item text2: / -307.0 / -312.0 / -314.0 / -320.0	1	PC
11	7.303-033.0	Screw M4x16-ST-P2R (KOMBI-IN6RD)	2	PC
12	6.641-422.0	Wire protecting sleeve	1	PC
13	7.303-328.0	Screw M5x8 -St-flZn/nc480h/C (In6Rd)	1	PC
14	7.312-260.0	Washer 6 -100HV-A3E ISO 7094	1	PC
15	4.633-058.0	Pulse generator only for replacement	1	PC

62 Bottom part

POS	Article no.	Description	Quantity	Unit
		Item text1: / 1.027-301.0 / -302.0 / -304.0		
		Item text2: / -305.0 / -307.0 / -313.0 / -314.0		
16	5.057-043.0	Support	1	PC
		Item text1: / 1.027-301.0 / -302.0 / -304.0		
		Item text2: / -305.0 / -307.0 / -312.0 / -313.0		
17	7.312-282.0	Washer 5-A2 ISO 7093-1	1	PC
18	6.643-249.0	Strip terminal	1	ZST
19	6.343-170.0	Retaining clip	1	PC
		Item text1: / 1.027-301.0 / -305.0 / -306.0		
		Item text2: / -307.0 / -312.0 / -314.0 / -320.0		
19	6.343-186.0	Locking ring	1	PC
		Item text1: / 1.027-302.0 / -304.0 / -313.0		
		Item text2: / -321.0		
20	5.030-931.0	Moulded part	1	PC
21	6.622-167.0	Ignition transformer 230V	1	PC
		Item text1: / 1.027-304.0 / -313.0		
21	4.622-033.0	Ignition transformer only for replacemen	1	PC
		Item text1: / 1.027-302.0 / -321.0		
21	2.883-791.0	Spare parts set ignition transformer	1	PC
		Item text1: / 1.027-301.0 / -305.0 / -306.0		
		Item text2: / -307.0 / -312.0 / -314.0 / -320.0		
22	5.115-255.0	Washer	1	PC
		Item text1: / 1.027-301.0 / -305.0 / -306.0		
		Item text2: / -307.0 / -312.0 / -314.0 / -320.0		
22	5.115-921.0	Washer	1	PC
		Item text1: / 1.027-302.0 / -304.0 / -313.0		
		Item text2: / -321.0		
23	6.647-250.0	Cable with rubber bushing	1	PC
		Item text1: / 1.027-301.0 / -305.0 / -306.0		
		Item text2: / -307.0 / -312.0 / -314.0 / -320.0		
23	6.648-514.0	Cable complete .4X2,5	1	PC
		Item text1: / 1.027-302.0 / -304.0 / -313.0		
		Item text2: / -321.0		

62 Bottom part

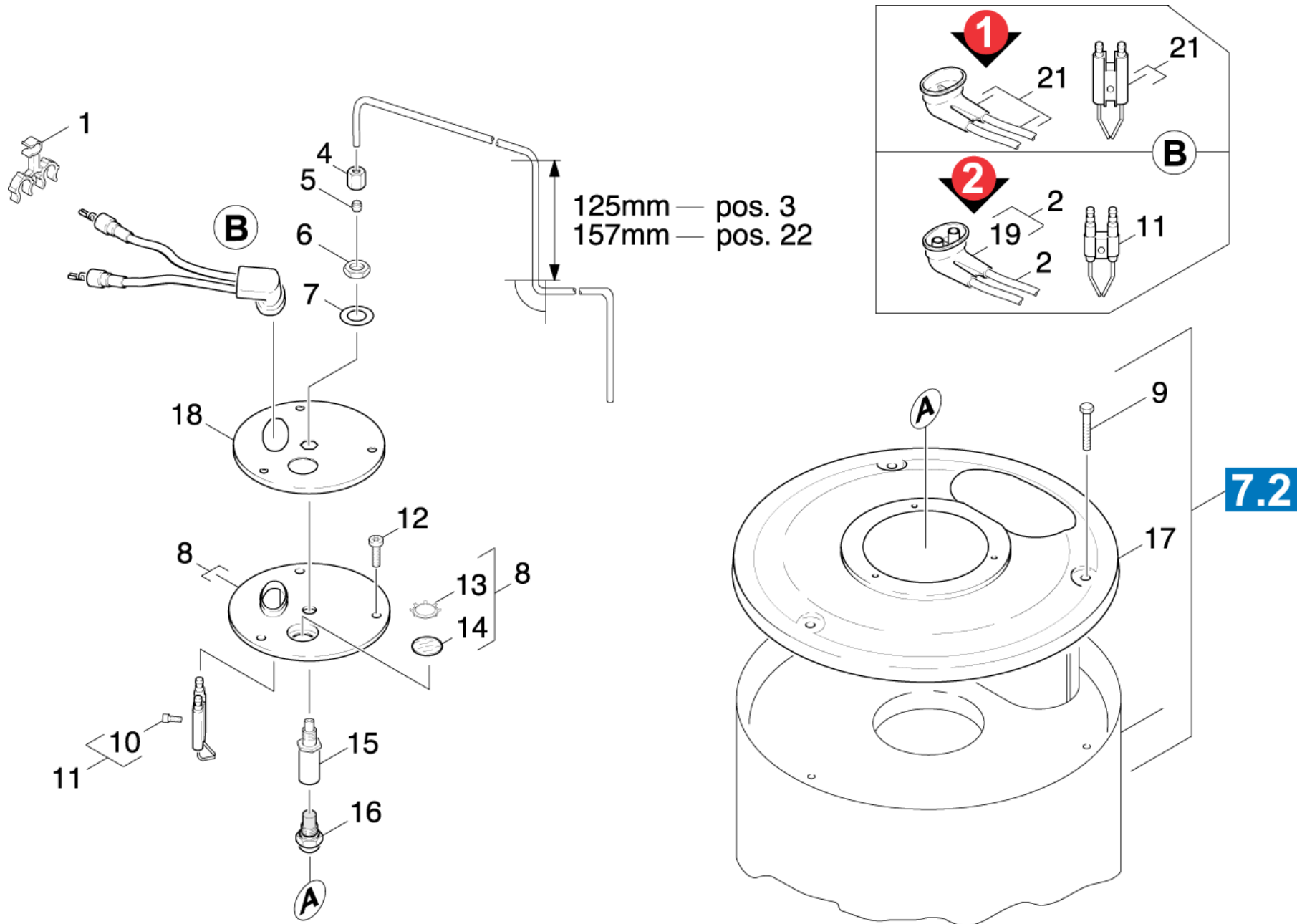
POS	Article no.	Description	Quantity	Unit
24	6.646-266.0	Coupler plug	1	PC
	Item text1: / 1.027-301.0 / -306.0			
24	6.646-356.0	Plug CEE-32A	1	PC
	Item text1: / 1.027-302.0			
25	5.802-300.0	Mounting part	1	PC
26	6.632-356.0	Contacteur LC1-D18 B7	1	PC
	Item text1: / 1.027-302.0 / -304.0 / -313.0			
	Item text2: / -321.0			

21 Spare parts set ignition transformer (2.883-791.0)

POS	Article no.	Description	Quantity	Unit
10	4.821-071.0	IGNITION LEAD (HDS 557CI)	1	PC
20	7.777-999.0	Stockpiling discontinued	1	PC
30	6.647-518.0	Ignition cable	1	PC

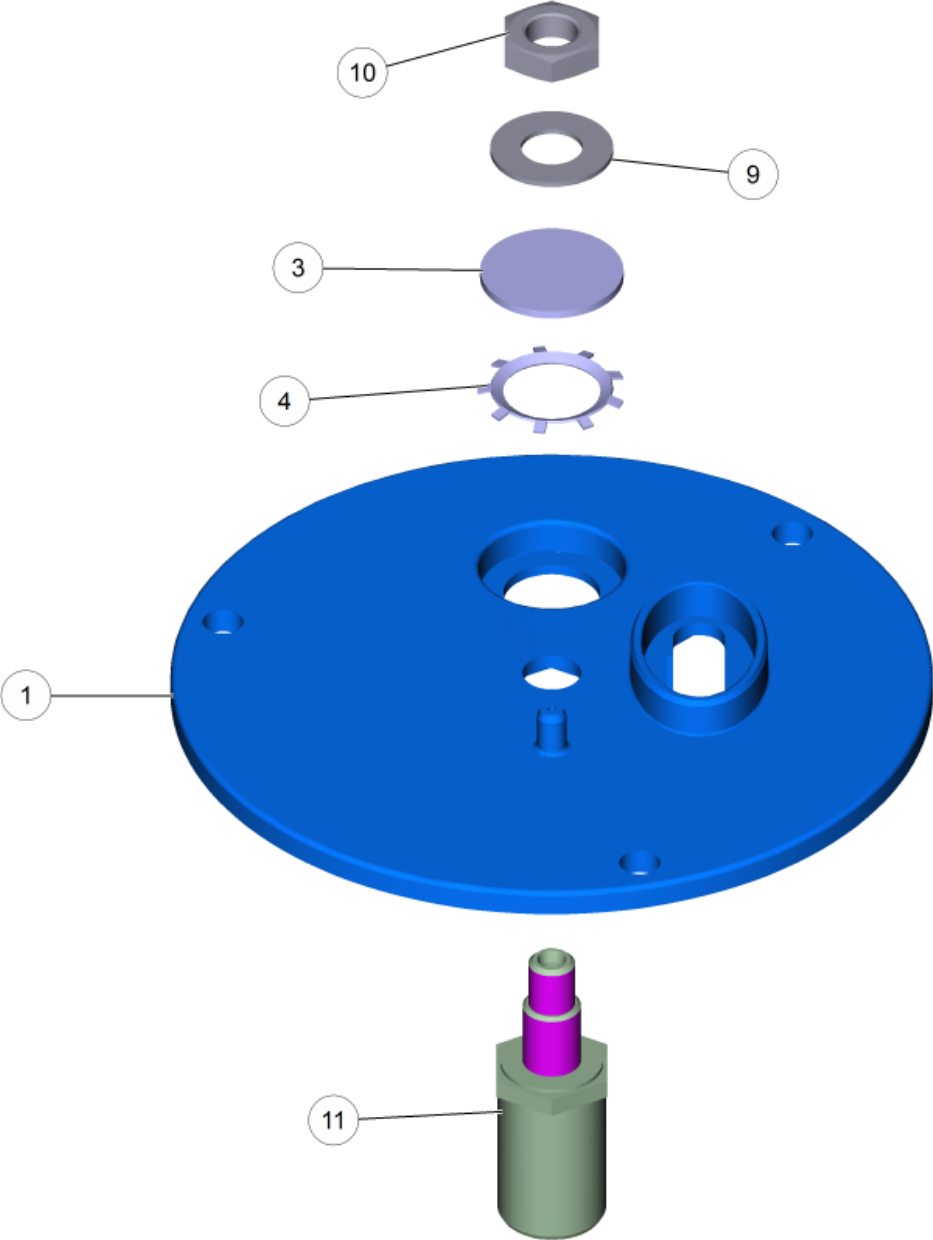
70 Flow heater

POS	Description	Quantity	Unit
71	Burner cover	1	PC
72	Heating coil	1	PC
73	Burner bottom	1	PC



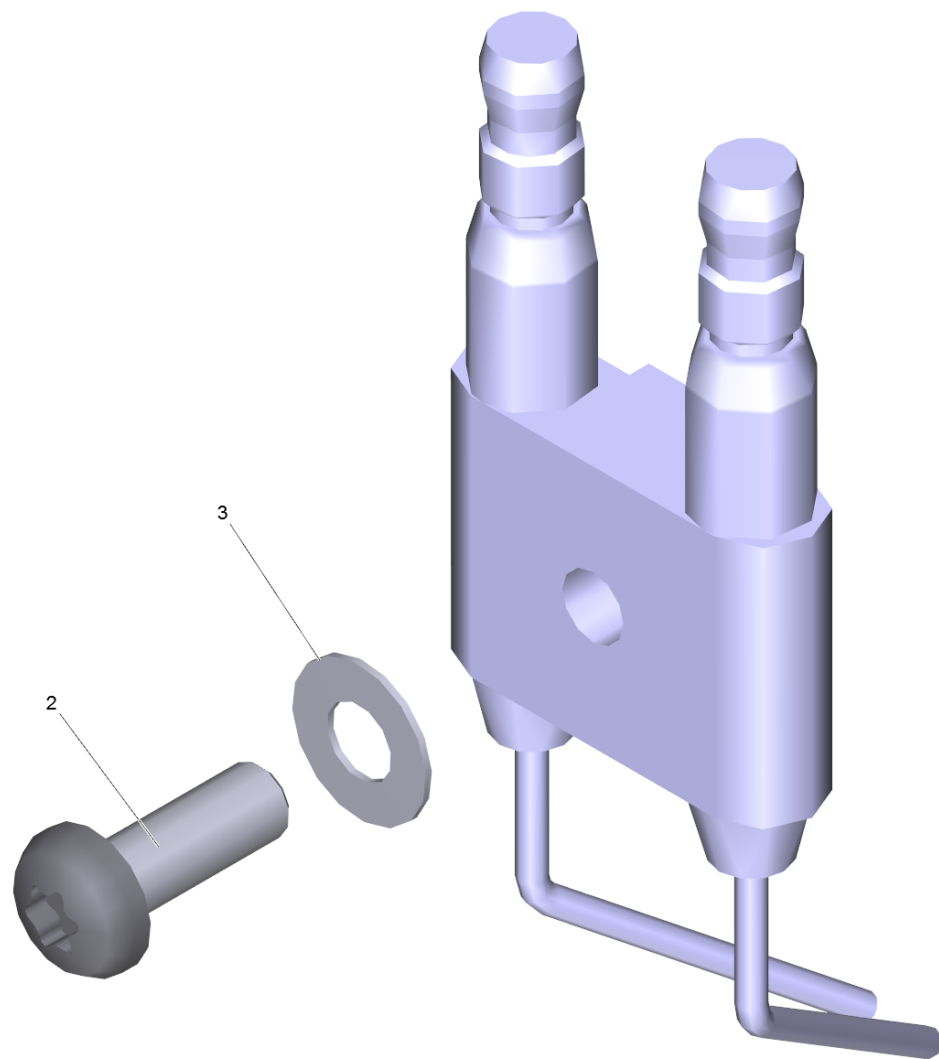
71 Burner cover

POS	Article no.	Description	Quantity	Unit
1	6.647-527.0	Holder	1	PC
2	4.821-071.0	IGNITION LEAD (HDS 557CI)	1	PC
3	5.423-186.0	Conduit fuel	1	PC
4	6.389-262.0	Union nut A 4-LL	1	PC
5	6.389-263.0	Cutting ring d.4	1	PC
6	7.311-101.0	Hexagon nut M10x1 -04-A2E DIN 936	1	PC
7	7.312-302.0	Spring washer B10-FST-A2E DIN 137	1	PC
8	4.654-218.0	Cover plate pressure boiler	1	PC
9	6.303-258.0	Self-tapping screw	3	PC
10	7.306-326.0	Screw M5x14 -8.8-ZNBHL (In6Rd)	1	PC
11	2.638-974.0	Conversion kit ignition electrode	1	PC
12	7.303-038.0	Screw M5x12 -St-P2R (In6Rd)	3	PC
13	6.343-165.0	Serrated ring	1	PC
14	6.278-018.0	Glass pane	1	PC
15	5.667-055.0	Nozzle holder	1	PC
16	6.415-641.0	Nozzle	1	PC
	Item text1: / 1.027-301.0 / -302.0 / -304.0 / -305.0 / -306.0 / -307.0 / -312.0 / -314.0 / -320.0 / -321.0			
16	6.415-697.0	Burner nozzle 2,0GPH	1	PC
	Item text1: / 1.027-313.0			
17	5.654-066.0	Cover plate pressure boiler external	1	PC
18	5.654-059.0	Cover pressure boiler	1	PC
19	5.394-470.0	Protecting cap	1	PC
21	2.638-976.0	Conversion kit ignition cable	1	PC
22	5.423-187.0	Conduit fuel	1	PC



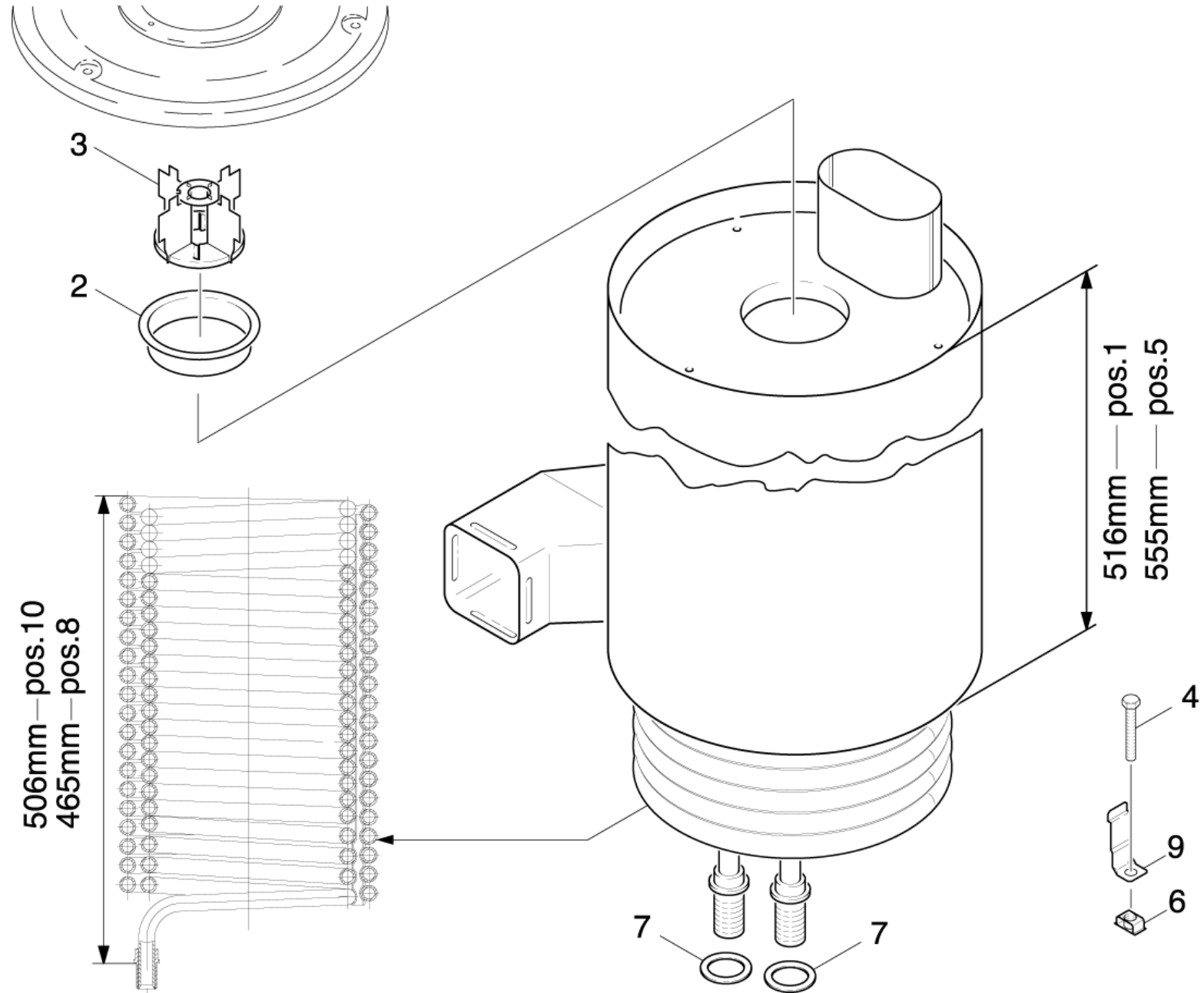
8 Cover plate pressure boiler (4.654-218.0)

POS	Article no.	Description	Quantity	Unit
1	5.662-022.0	Burner cover	1	PC
3	6.278-018.0	Glass pane	1	PC
4	6.343-165.0	Serrated ring	1	PC
9	7.312-302.0	Spring washer B10-FST-A2E DIN 137	1	PC
10	7.311-101.0	Hexagon nut M10x1 -04-A2E DIN 936	1	PC
11	5.667-055.0	Nozzle holder	1	PC



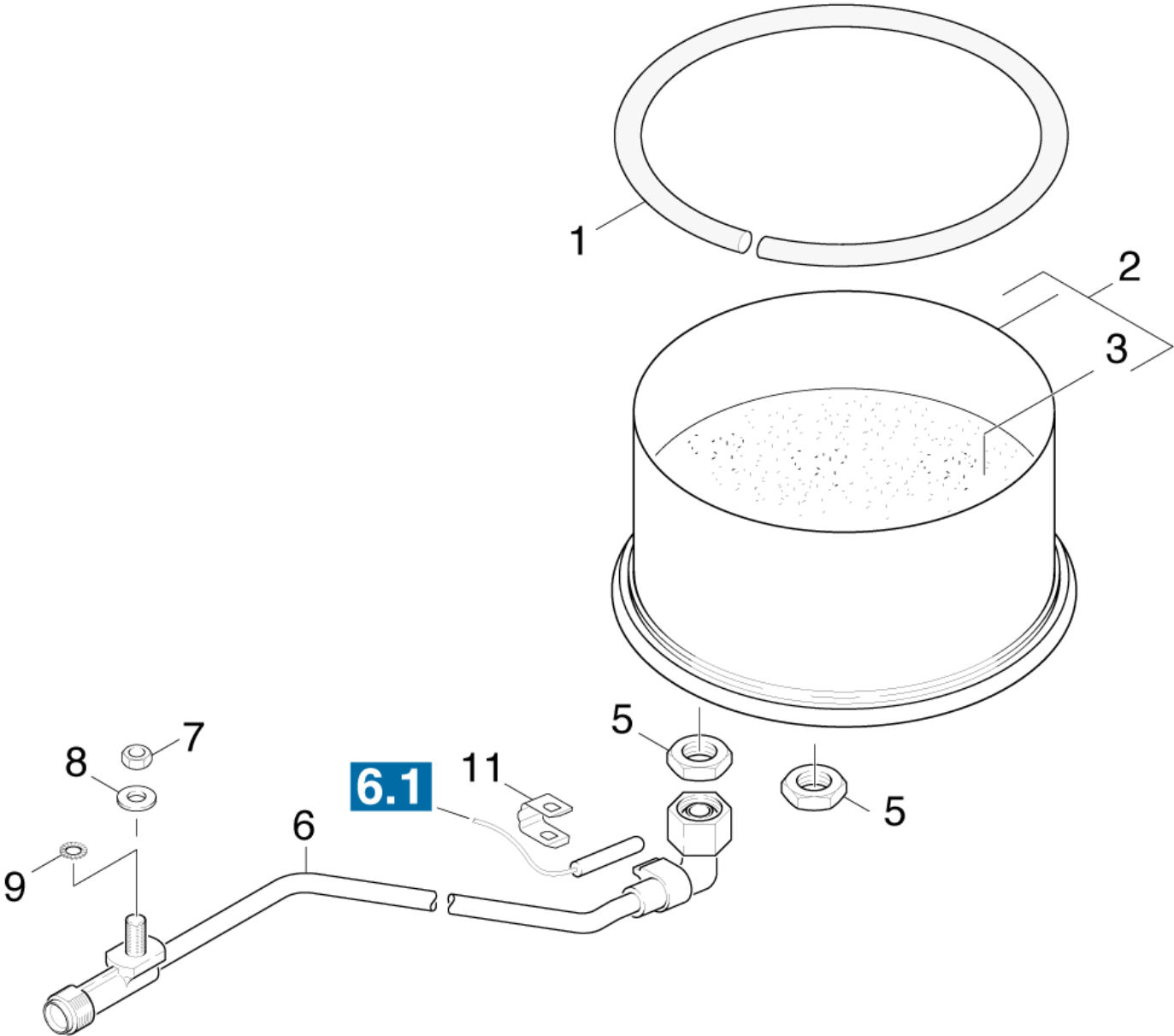
11 Conversion kit ignition electrode (2.638-974.0)

POS	Article no.	Description	Quantity	Unit
2	7.306-326.0	Screw M5x14 -8.8-ZNBHL (In6Rd)	1	PC
3	7.312-304.0	Spring washer B 5-FST-A2E DIN 137	1	PC



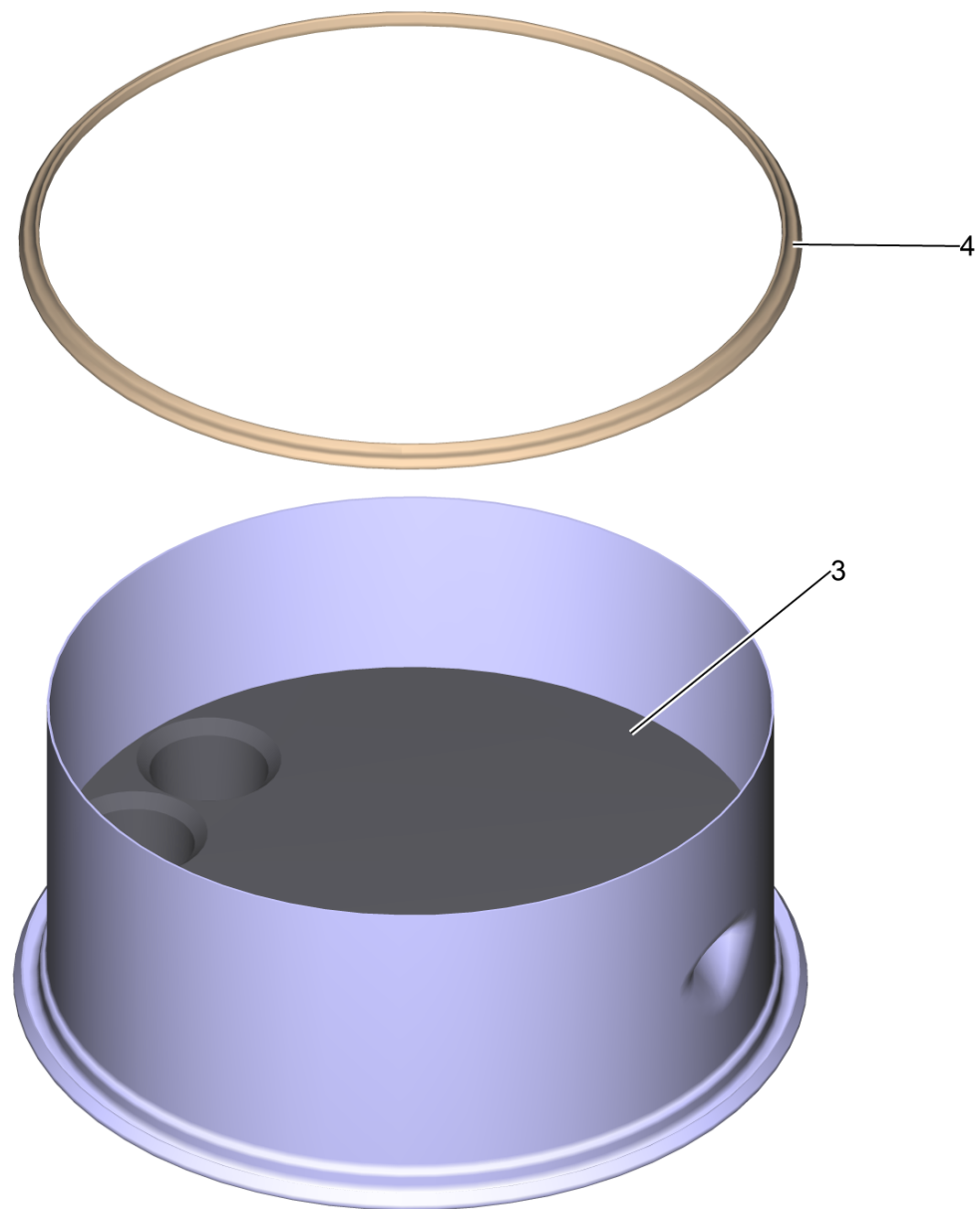
72 Heating coil

POS	Article no.	Description	Quantity	Unit	Remark	Foot note text
1	4.652-123.0	Outer covering	1	PC	VERSION 1	
2	5.664-195.0	Flame tube	1	PC		
3	4.663-088.0	Baffle plate complete	1	PC		
4	7.304-051.0	Hexagonal head screw M 8x16 -8.8-P2R EN 1665	3	PC		
5	4.652-131.0	Vessel mantel complete	1	PC	VERSION 2	
6	6.310-081.0	Cage nut M 8	3	PC		
7	5.365-068.0	Profile gasket	2	PC		
8	4.680-114.0	Heating coil VA	1	PC		STAINLESS STEEL CONSTRUCTION
	Item text1: / 1.027-305.0 / -314.0					
8	4.680-123.0	Heating coil	1	PC	VERSION 1	
9	5.044-420.0	Holder	3	PC		
10	4.680-135.0	Heating coil	1	PC	VERSION 2	
10	4.680-137.0	Heating coil VA	1	PC	VERSION 2	STAINLESS STEEL CONSTRUCTION



73 Burner bottom

POS	Article no.	Description	Quantity	Unit
1	6.366-009.0	Seal string	1	PC
2	4.655-044.0	Bottom pressure boiler	1	PC
3	7.777-999.0	Stockpiling discontinued	1	PC
5	7.311-112.0	Hexagon nut M22X1,5 -22H-A2E DIN 936	2	PC
	Item text1: / 1.027-301.0 / -302.0 / -304.0 / -305.0 / -306.0 / -307.0 / -312.0 / -313.0 / -320.0 / -321.0			
5	7.311-155.0	Hexagon nut M22x1,5 -Cu2 DIN 936	2	PC
	Item text1: / 1.027-314.0			
6	4.421-627.0	Pipelines outlet	1	PC
	Item text1: / 1.027-301.0 / -302.0 / -305.0 / -307.0 / -312.0 / -314.0 / -320.0 / -321.0			
6	4.421-645.0	Pipelines outlet	1	PC
	Item text1: / 1.027-304.0 / -306.0 / -313.0			
7	7.311-511.0	Hexagon nut M10-8-A2E ISO 7040	1	PC
8	7.312-285.0	Washer 10-200HV-A2E ISO 7093-1	1	PC
9	7.312-160.0	Toothed lock washer A10,5-FSt-A3E DIN 6797	1	PC
11	5.263-064.0	Tensioning part	1	PC

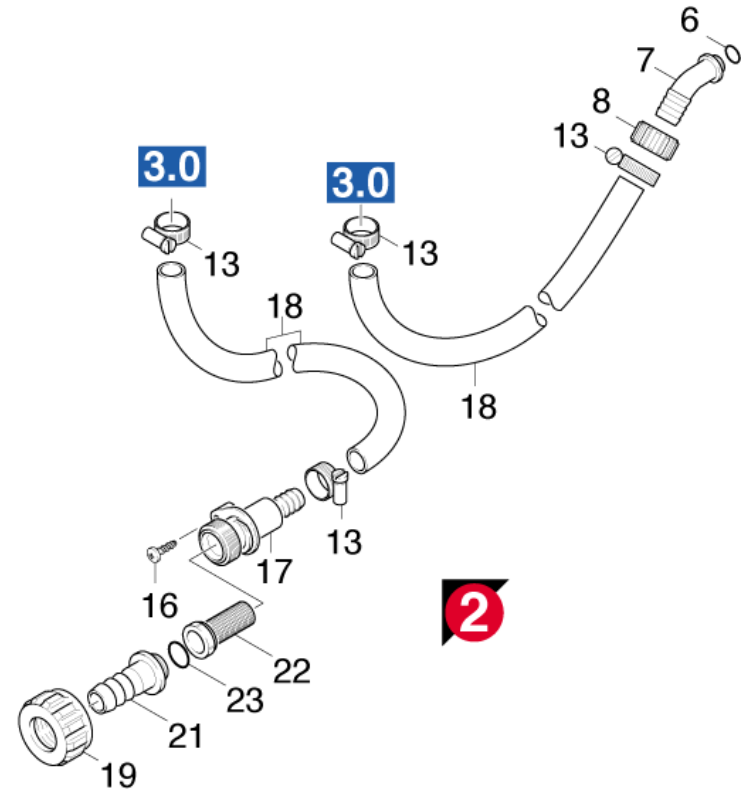
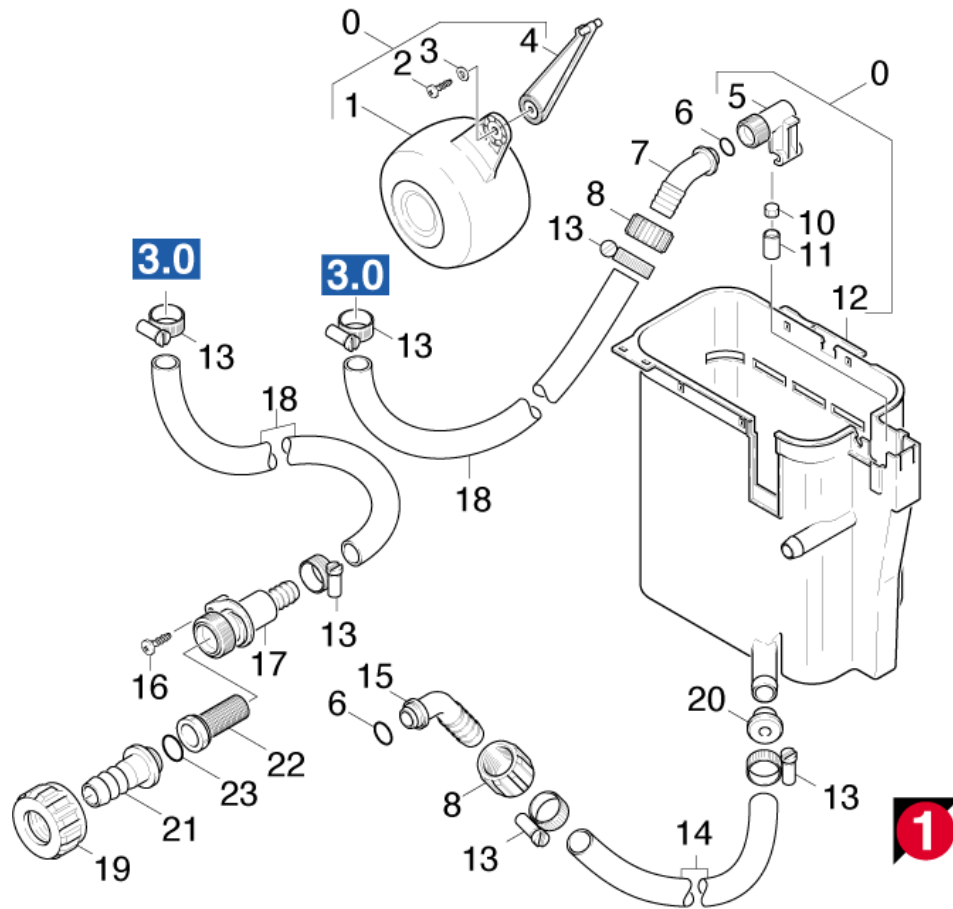


2 Bottom pressure boiler (4.655-044.0)

POS	Article no.	Description	Quantity	Unit
3	7.777-999.0	Stockpiling discontinued	1	PC
4	6.366-009.0	Seal string	1	PC

80 Float chest

POS	Description	Quantity	Unit
81	Float chest	1	PC
82	DGT	1	PC

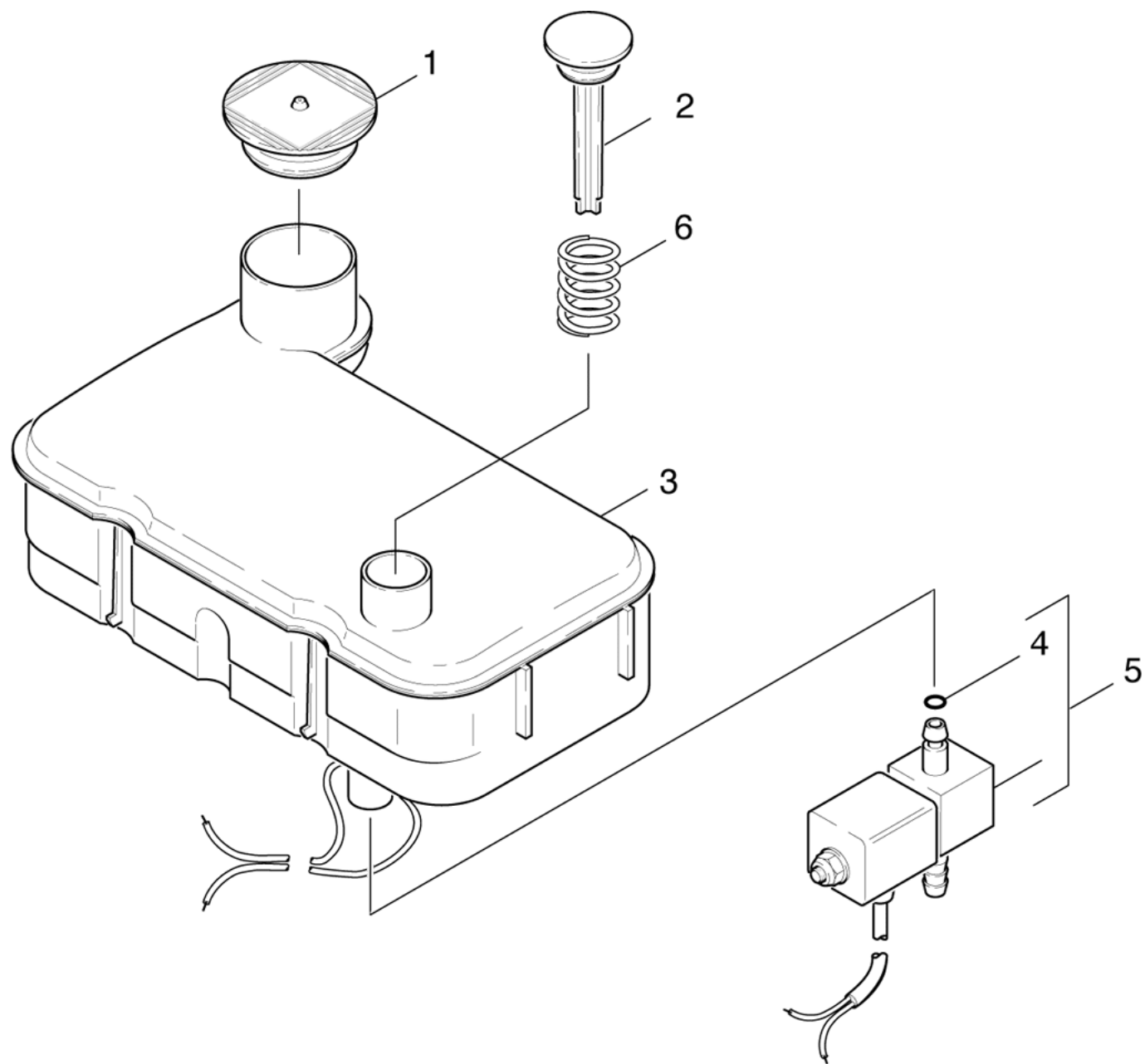


81 Float chest

POS	Article no.	Description	Quantity	Unit	Remark	Foot note text
0	3.593-082.0	Float valve	1	PC	VERSION 1	
		Item text1: / 1.027-301.0 / -302.0 / -304.0				
		Item text2: / -305.0 / -314.0				
0	3.593-108.3	Float valve only for replacement	1	PC	VERSION 1	
		Item text1: / 1.027-307.0				
1	5.585-024.0	Float	1	PC	VERSION 1	
		Item text1: / 1.027-301.0 / -302.0 / -304.0				
		Item text2: / -307.0 / -314.0				
2	7.303-104.0	Screw 5x16 -A2-70 (IN6RD)	1	PC	VERSION 1	
		Item text1: / 1.027-301.0 / -302.0 / -304.0				
		Item text2: / -305.0 / -307.0 / -314.0				
3	7.312-282.0	Washer 5-A2 ISO 7093-1	1	PC	VERSION 1	
		Item text1: / 1.027-301.0 / -302.0 / -304.0				
		Item text2: / -305.0 / -307.0 / -314.0				
4	5.481-118.0	Lever	1	PC	VERSION 1	
		Item text1: / 1.027-301.0 / -302.0 / -304.0				
		Item text2: / -305.0 / -307.0 / -314.0				
5	5.587-147.0	Valve housing	1	PC	VERSION 1	
		Item text1: / 1.027-301.0 / -302.0 / -304.0				
		Item text2: / -305.0 / -307.0 / -314.0				
6	6.362-078.0	O-Ring seal 13,3x2,4	2	PC		
7	5.443-285.0	Hose stem	1	PC		
8	5.310-062.0	Nut	2	PC		
10	5.364-095.0	Flat gasket	1	PC	VERSION 1	
		Item text1: / 1.027-301.0 / -302.0 / -304.0				
		Item text2: / -305.0 / -307.0 / -314.0				
11	5.584-085.0	Valve pin	1	PC	VERSION 1	
		Item text1: / 1.027-301.0 / -302.0 / -304.0				
		Item text2: / -305.0 / -307.0 / -314.0				
12	5.070-140.0	Tank	1	PC	VERSION 1	
		Item text1: / 1.027-307.0				
12	5.070-140.0	Tank	1	PC	VERSION 1	
		Item text1: / 1.027-301.0 / -302.0 / -304.0				

81 Float chest

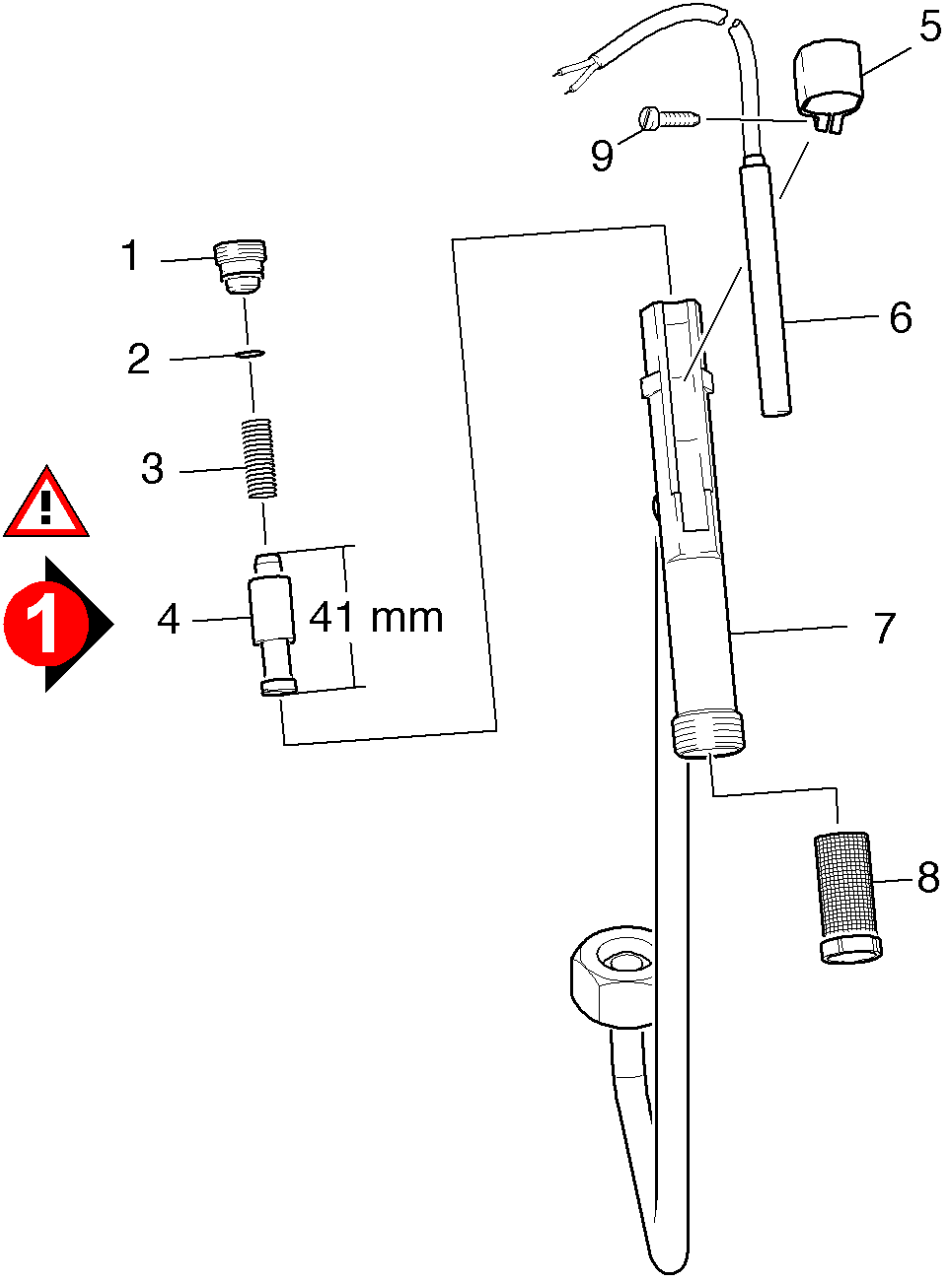
POS	Article no.	Description	Quantity	Unit	Remark	Foot note text
		Item text2: / -305.0 / -314.0				
13	7.373-022.0	Hose clip A-16-27x9 -W2-2 DIN3017	6	PC		
14	6.392-256.0	Piece of tube 19x4x430	1	PC	VERSION 1	
		Item text1: / 1.027-301.0 / -302.0 / -304.0				
		Item text2: / -305.0 / -307.0 / -314.0				
15	5.443-211.0	Hose stem	1	PC	VERSION 1	
		Item text1: / 1.027-301.0 / -302.0 / -304.0				
		Item text2: / -305.0 / -307.0 / -314.0				
16	7.303-112.0	Screw 6x20 -10.9-R2R (In6Rd)	1	PC		
17	5.427-154.0	Manifold	1	PC		
18	6.388-719.0	Hose DN17	1	m		TO ORDER AS CUT GOODS
19	5.310-076.0	Nut	1	PC		
20	5.112-286.0	Bush	1	PC		
21	5.443-291.0	Hose stem	1	PC		
22	6.414-141.0	Strainer	1	PC		
23	6.362-161.0	O-Ring seal 19,3 X 2,4	1	PC		



POS	Article no.	Description	Quantity	Unit
1	5.063-487.0	Cover	1	PC
	Item text1: / 1.027-301.0 / -302.0 / -304.0 / -305.0 / -307.0 / -312.0 / -313.0 / -314.0 / -320.0 / -321.0			
2	5.063-507.0	Cover	1	PC
	Item text1: / 1.027-301.0 / -302.0 / -304.0 / -305.0 / -307.0 / -312.0 / -313.0 / -314.0 / -320.0 / -321.0			
3	4.070-188.0	WATER SOFTNER TANK	1	PC
	Item text1: / 1.027-301.0 / -302.0 / -304.0 / -305.0 / -307.0 / -312.0 / -313.0 / -314.0 / -320.0 / -321.0			
4	6.362-113.0	O-Ring seal 6,0 x 2,0 NBR 70	1	PC
	Item text1: / 1.027-301.0 / -302.0 / -304.0 / -305.0 / -307.0 / -312.0 / -313.0 / -314.0 / -320.0 / -321.0			
5	6.685-845.0	Solenoid valve	1	PC
	Item text1: / 1.027-301.0 / -302.0 / -304.0 / -305.0 / -307.0 / -312.0 / -313.0 / -314.0 / -320.0 / -321.0			
6	5.332-001.0	Helical spring	1	PC
	Item text1: / 1.027-301.0 / -302.0 / -304.0 / -305.0 / -307.0 / -312.0 / -313.0 / -314.0 / -320.0 / -321.0			

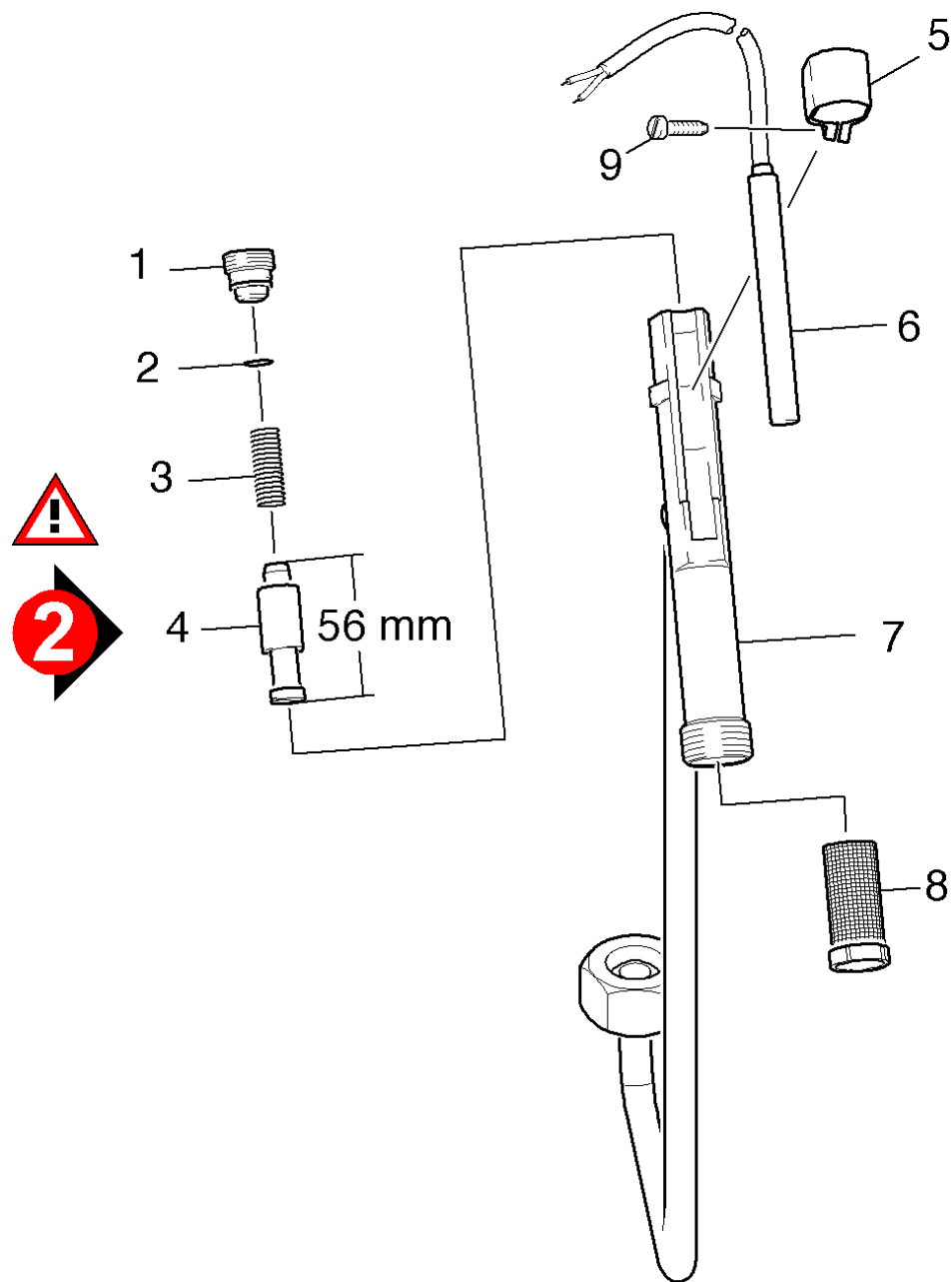
90 Safety system

POS	Description	Quantity	Unit	Remark
91	Safety system	1	PC	VERSION 1
92	Safety system	1	PC	VERSION 2



91 Safety system

POS	Article no.	Description	Quantity	Unit
1	5.305-162.0	Shaped screw	1	PC
2	6.362-482.0	O-Ring seal 10 x 1,5-NBR 70	1	PC
3	5.332-057.0	Helical spring	1	PC
4	4.553-022.0	Piston	1	PC
5	5.041-076.0	Clamp	1	PC
6	2.880-194.0	Reed switch replacement	1	PC
7	4.427-202.0	Manifold	1	PC
8	6.414-566.0	Strainer WMS	1	PC
9	6.303-122.0	M4 .2X13 DIN 7981 TORX T15 PAN HD HI/LO	1	PC

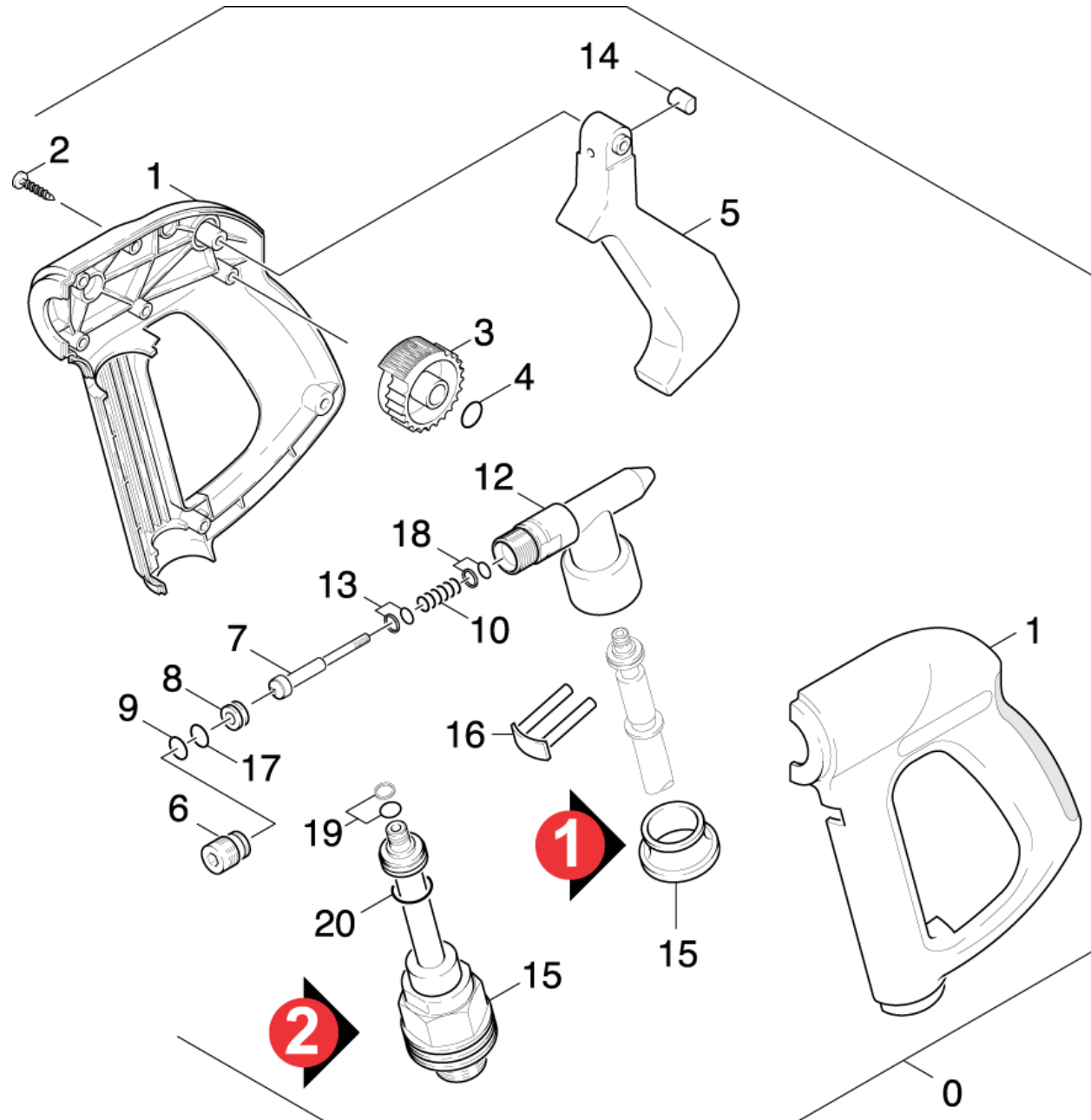


92 Safety system

POS	Article no.	Description	Quantity	Unit
1	5.305-162.0	Shaped screw	1	PC
2	6.362-482.0	O-Ring seal 10 x 1,5-NBR 70	1	PC
3	5.332-057.0	Helical spring	1	PC
4	4.551-058.0	Cartridge protection against water short	1	PC
5	5.041-076.0	Clamp	1	PC
6	2.880-194.0	Reed switch replacement	1	PC
7	4.427-335.0	Manifold	1	PC
8	6.414-566.0	Strainer WMS	1	PC
9	6.303-122.0	M4 .2X13 DIN 7981 TORX T15 PAN HD HI/LO	1	PC

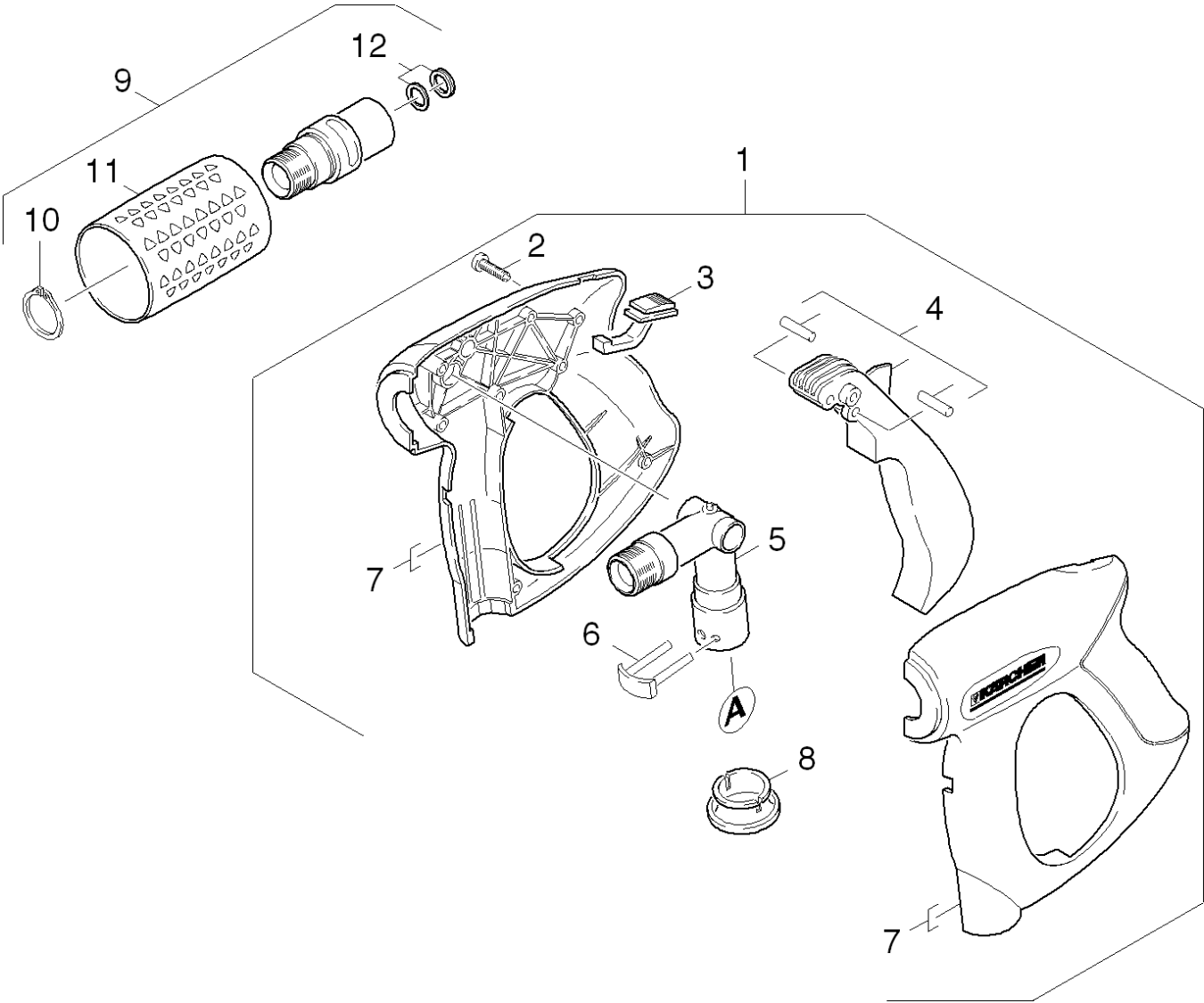
100 Accessories

POS	Description	Quantity	Unit	Remark
101	Hand trigger gun	1	PC	VERSION 1
102	Hand trigger gun	1	PC	VERSION 2
103	Hand trigger gun	1	PC	VERSION 3
104	Hand trigger gun	1	PC	VERSION 4
105	High pressure hose	1	PC	
106	Jet pipe	1	PC	VERSION 1
107	Jet pipe	1	PC	VERSION 2
108	Hose reel	1	PC	



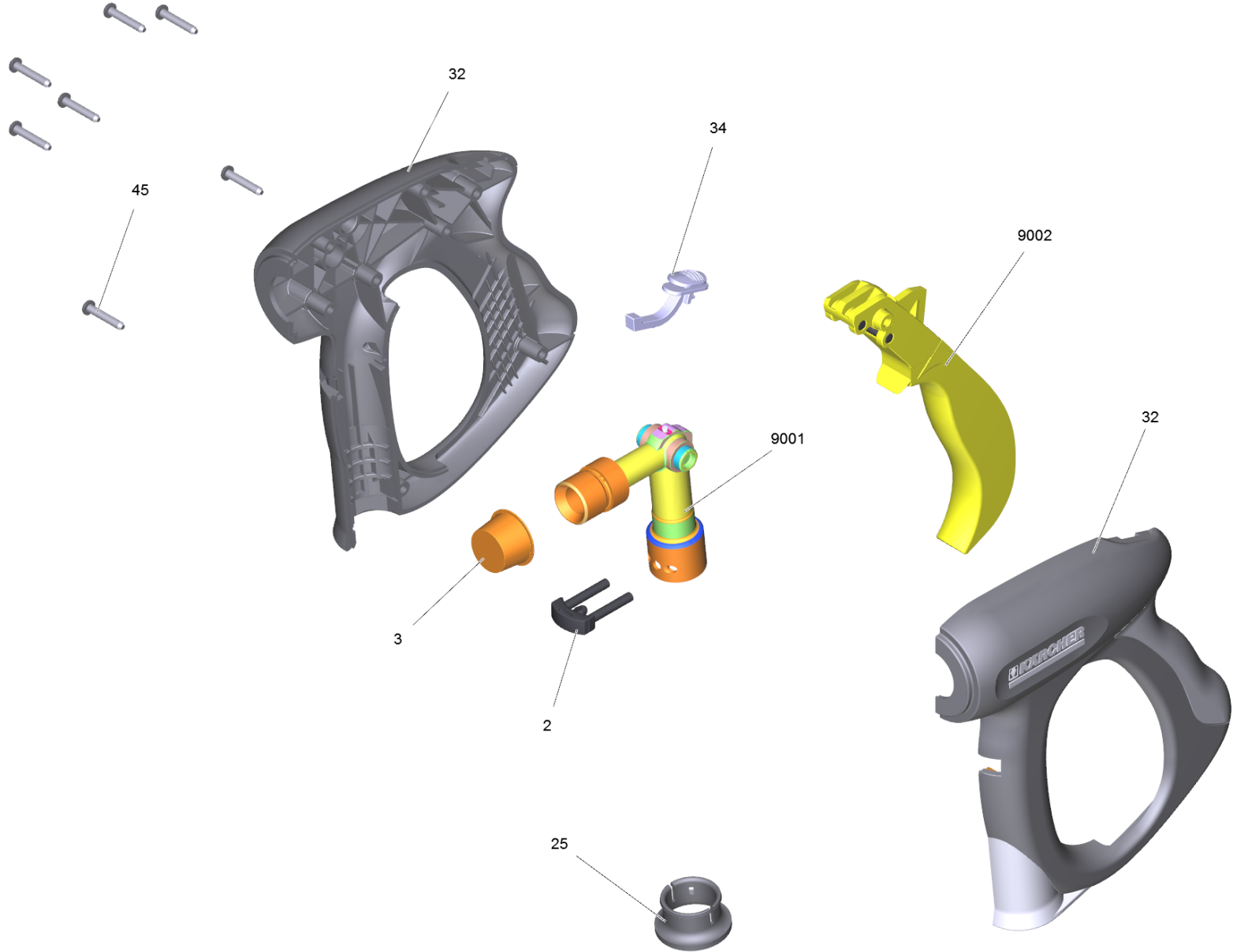
101 Hand trigger gun

POS	Article no.	Description	Quantity	Unit	Remark
0	7.777-999.0	Stockpiling discontinued	1	PC	
	Item text1: / -321.0				
1	5.321-534.0	Handhold few	1	PC	
2	7.303-096.0	Screw 4x22-ST-10.9-R2R (IN6RD)	8	PC	
3	5.322-012.0	Hand wheel	1	PC	
4	6.362-642.0	O-Ring d. 7,65x1,78 -NBR 80	1	PC	
5	5.481-178.0	Lever	1	PC	
6	5.404-080.0	Hollow screw	1	PC	
7	5.553-348.0	Piston	1	PC	
8	5.581-243.0	Valve seat	1	PC	
9	6.362-182.0	O-Ring seal 7,65x1,78 - NBR 90	1	PC	
10	5.332-413.0	Helical spring	1	PC	
12	5.427-214.0	Manifold	1	PC	
13	6.362-964.0	O-Ring seal complete	1	PC	
14	5.316-400.0	Bolt	1	PC	
15	4.421-275.3	Adapter pipelines	1	PC	VERSION 2
	Item text1: / 1.027-304.0 / -306.0				
15	5.110-596.0	Sleeve	1	PC	VERSION 1
	Item text1: / 1.027-301.0 / -302.0 / -305.0				
	Item text2: / -307.0 / -314.0				
16	4.037-013.0	Hook	1	PC	
17	6.362-503.0	O-Ring seal 8,0 X 1,0	1	PC	
18	6.362-992.0	O-Ring seal complete 2,6X1,9	1	PC	
19	4.363-691.0	O-Ring seal kpl. -nur fuer Ersatz-	1	PC	
20	6.363-606.0	O-Ring seal 4,7 x 1,9 -NBR70	1	PC	
100	7.777-999.0	Stockpiling discontinued	1	PC	



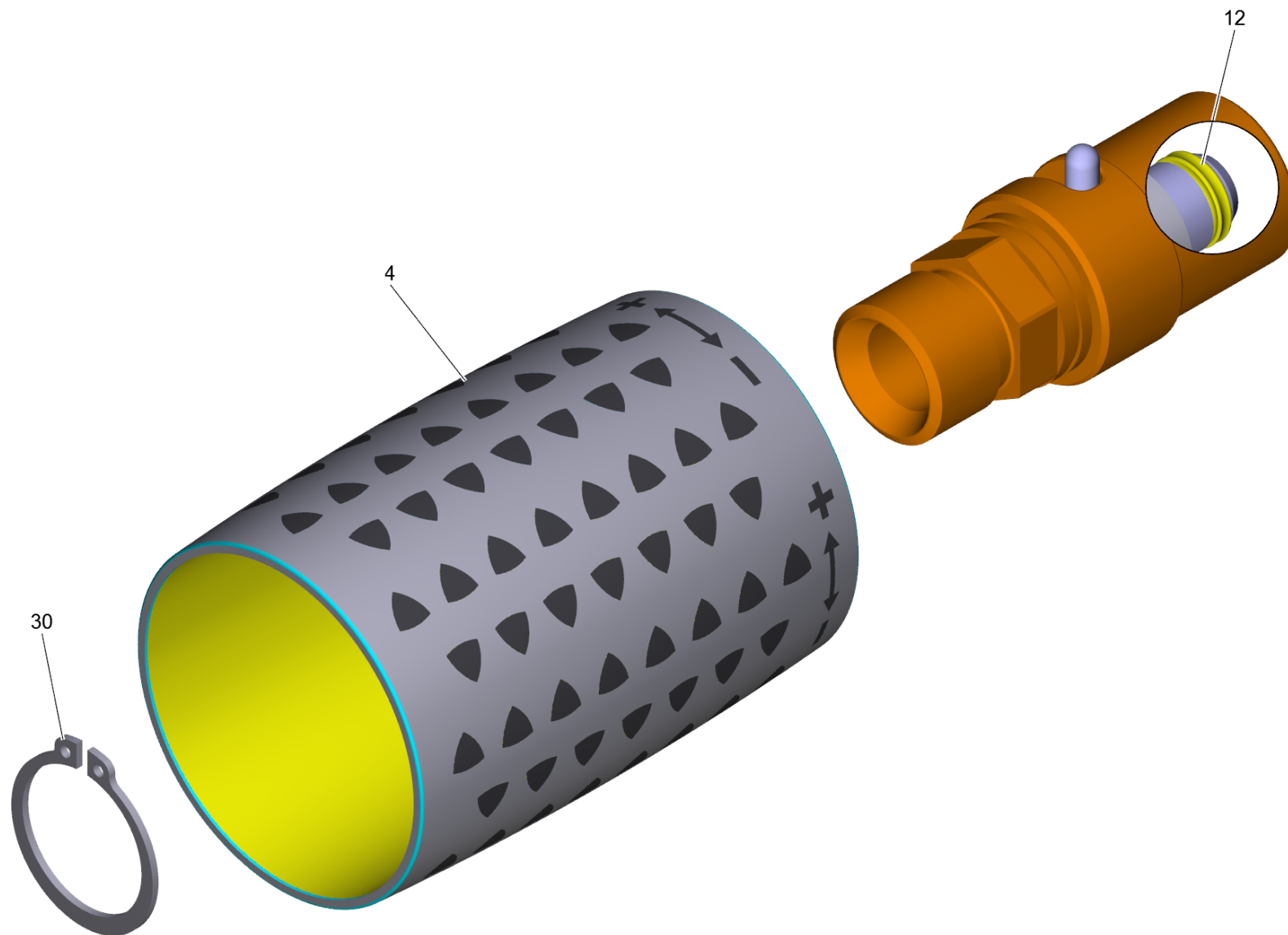
102 Hand trigger gun

POS	Article no.	Description	Quantity	Unit
1	4.775-463.0	HAND TRIGGER GUN EASY PRESS	1	PC
2	7.303-096.0	Screw 4x22-ST-10.9-R2R (IN6RD)	7	PC
3	5.481-331.0	Slider	1	PC
4	4.481-209.3	Lever complete for replacement	1	PC
5	4.427-215.3	Manifold cpl. only for replacement	1	PC
6	4.037-013.0	Hook	1	PC
7	5.321-669.3	Handhold few	1	PC
8	5.110-596.0	Sleeve	1	PC
9	4.775-470.0	Rotary controller 416L	1	PC
10	7.343-008.0	Locking ring 25x1,2-St-vz DIN 471	1	PC
11	5.321-668.0	Handle	1	PC
12	4.363-692.0	Grooved ring kpl. -nur fuer Ersatz-	1	PC



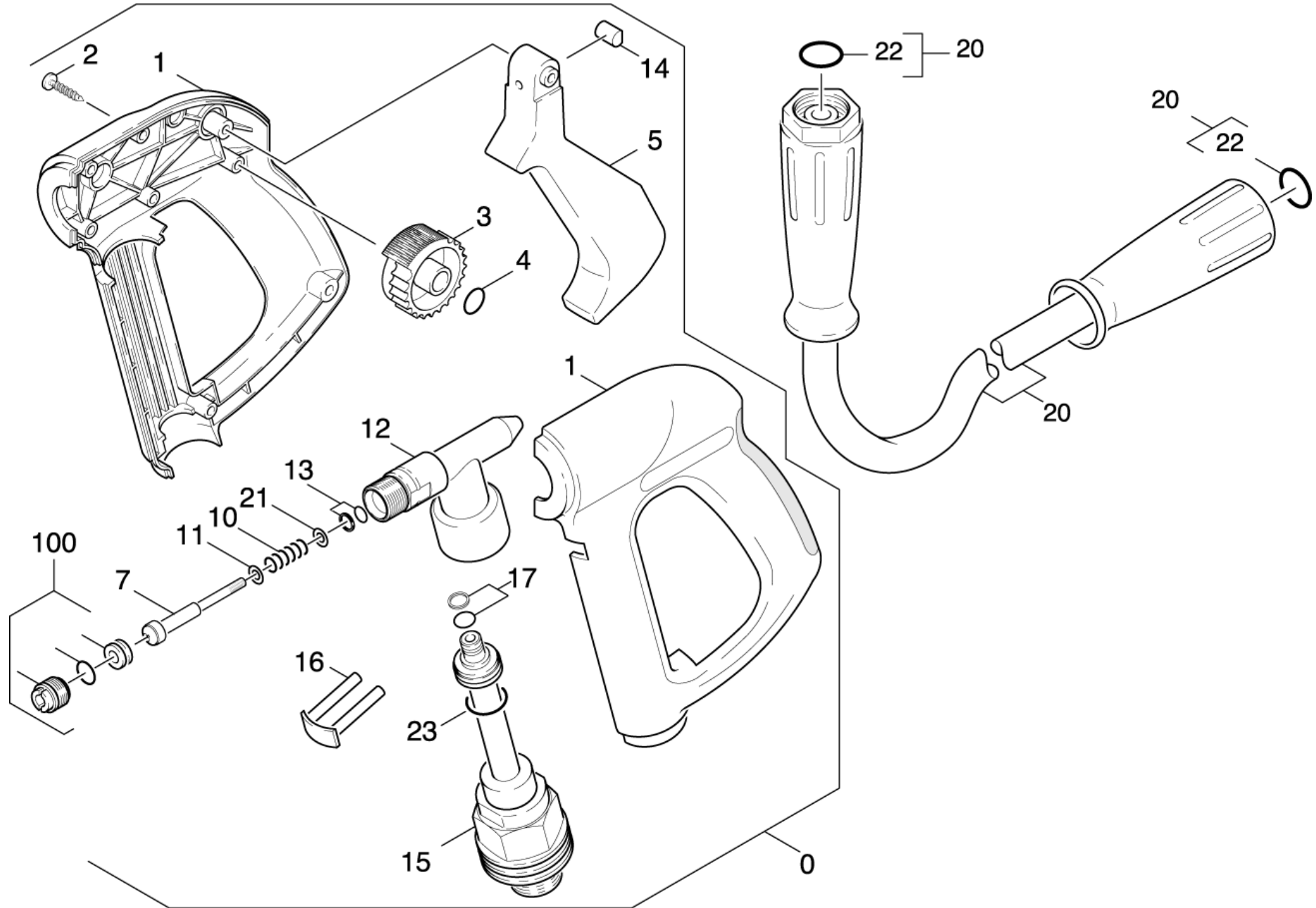
1 HAND TRIGGER GUN EASY PRESS (4.775-463.0)

POS	Article no.	Description	Quantity	Unit
2	4.037-013.0	Hook	1	PC
3	6.368-012.0	Protecting cap 22X1,5	1	PC
4	7.777-999.0	Stockpiling discontinued	1	PC
25	5.110-596.0	Sleeve	1	PC
32	5.321-669.3	Handhold few	1	PC
34	5.481-331.0	Slider	1	PC
45	7.303-096.0	Screw 4x22-ST-10.9-R2R (IN6RD)	7	PC
1041	6.288-044.0	Silicon grease 100 G	1	PC
9001	4.427-215.3	Manifold cpl. only for replacement	1	PC
9002	4.481-209.3	Lever complete for replacement	1	PC



9 Rotary controller 416L (4.775-470.0)

POS	Article no.	Description	Quantity	Unit
4	5.321-668.0	Handle	1	PC
12	2.880-001.0	Spare part set seals TR	1	PC
30	7.343-069.0	Locking ring 25x1,2-1.4122 DIN 471	1	PC

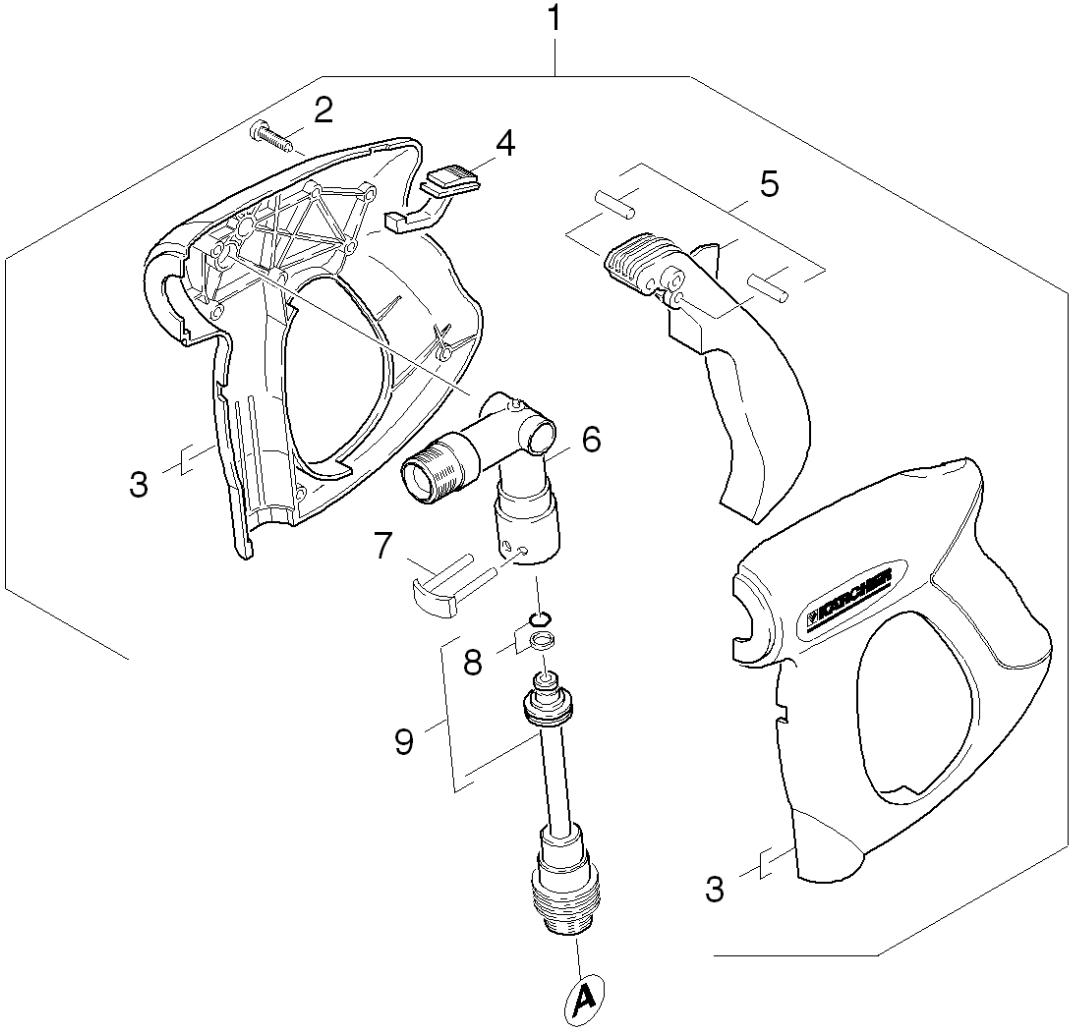


103 Hand trigger gun

POS	Article no.	Description	Quantity	Unit
0	7.777-999.0	Stockpiling discontinued	1	PC
1	5.321-494.0	Handhold few	1	PC
2	7.303-096.0	Screw 4x22-ST-10.9-R2R (IN6RD)	8	PC
3	5.322-011.0	Hand wheel	1	PC
4	6.362-642.0	O-Ring d. 7,65x1,78 -NBR 80	1	PC
5	5.481-178.0	Lever	1	PC
7	5.553-347.0	Piston	1	PC
10	5.332-384.0	Helical spring	1	PC
11	5.115-675.0	Washer	1	PC
12	5.427-205.0	Manifold	1	PC
13	6.362-992.0	O-Ring seal complete 2,6X1,9	1	PC
14	5.316-400.0	Bolt	1	PC
15	4.421-275.3	Adapter pipelines	1	PC
16	4.037-013.0	Hook	1	PC
17	4.363-691.0	O-Ring seal kpl. -nur fuer Ersatz-	1	PC
20	6.390-010.0	Hose assembly rotatable DN8 max.31,5MPa	1	PC
21	5.115-661.0	Washer	1	PC
22	2.880-990.0	Spare part set O-Ring 5x -Kaercher	1	PC
23	6.363-606.0	O-Ring seal 4,7 x 1,9 -NBR70	1	PC
100	2.883-903.0	Spare part set	1	PC

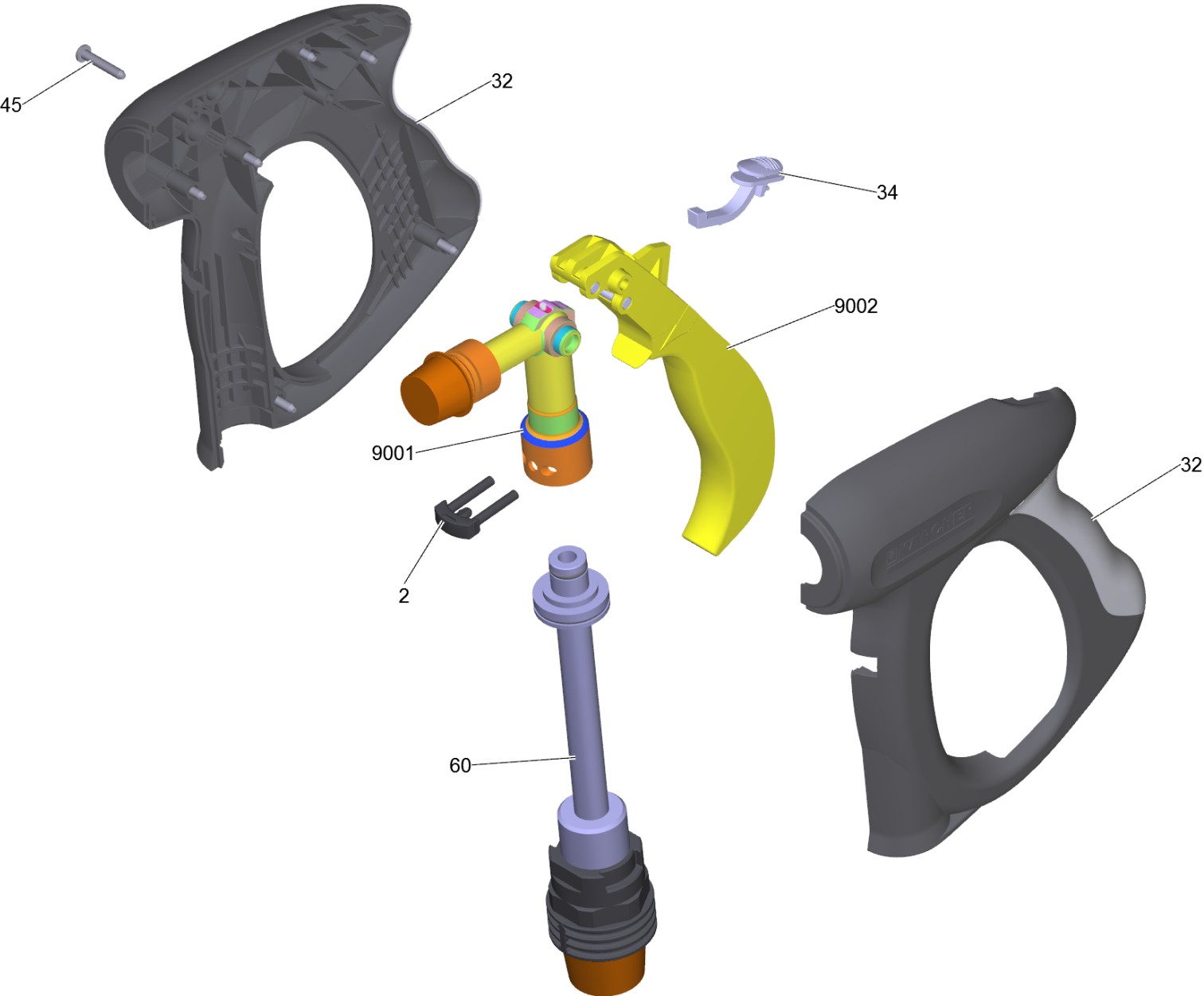
100 Spare part set (2.883-903.0)

POS	Article no.	Description	Quantity	Unit
10	5.404-068.0	Hollow screw	1	PC
20	5.581-211.0	Valve seat	1	PC
30	6.362-642.0	O-Ring d. 7,65x1,78 -NBR 80	1	PC
40	6.590-004.0	Bag PE 80x100 mm	1	PC



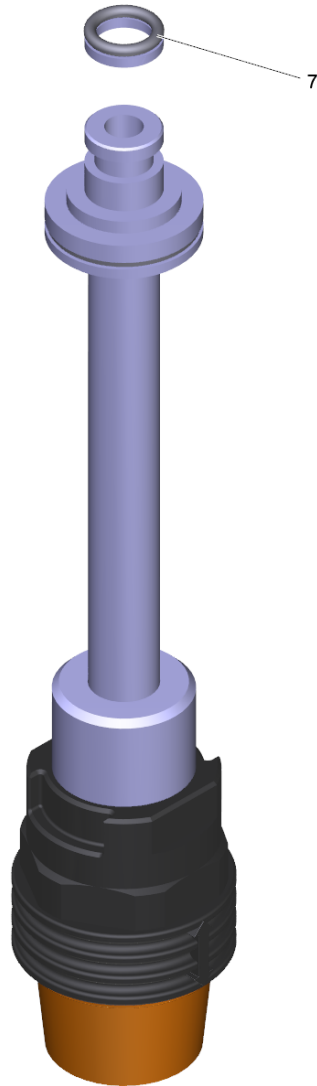
104 Hand trigger gun

POS	Article no.	Description	Quantity	Unit
1	4.775-466.0	Hand trigger gun	1	PC
	Item text1: 1.173-116.0			
2	7.303-096.0	Screw 4x22-ST-10.9-R2R (IN6RD)	7	PC
3	5.321-669.3	Handhold few	2	PC
4	5.481-331.0	Slider	1	PC
5	4.481-209.3	Lever complete for replacement	1	PC
6	4.427-215.3	Manifold cpl. only for replacement	1	PC
7	4.037-013.0	Hook	1	PC
8	4.363-691.0	O-Ring seal kpl. -nur fuer Ersatz-	1	PC
9	4.421-739.3	Adapter pipelines AVS-M22x1,5	1	PC



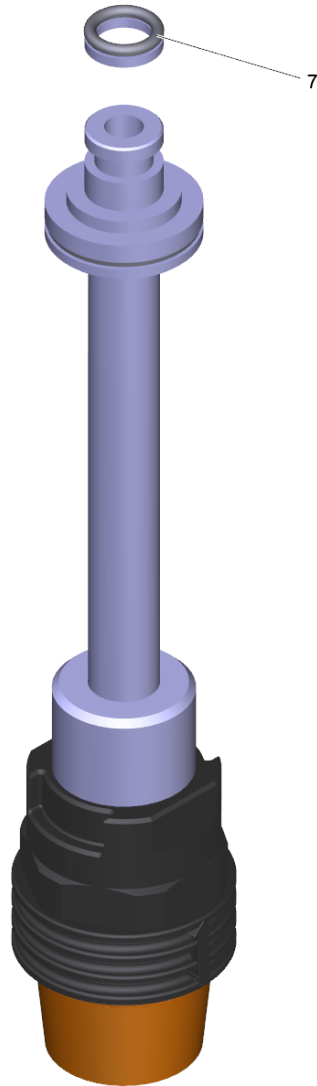
1 Hand trigger gun (4.775-466.0)

POS	Article no.	Description	Quantity	Unit
2	4.037-013.0	Hook	1	PC
32	5.321-669.3	Handhold few	1	PC
34	5.481-331.0	Slider	1	PC
45	7.303-096.0	Screw 4x22-ST-10.9-R2R (IN6RD)	7	PC
60	4.421-739.3	Adapter pipelines AVS-M22x1,5	1	PC
9001	4.427-215.3	Manifold cpl. only for replacement	1	PC
9002	4.481-209.3	Lever complete for replacement	1	PC



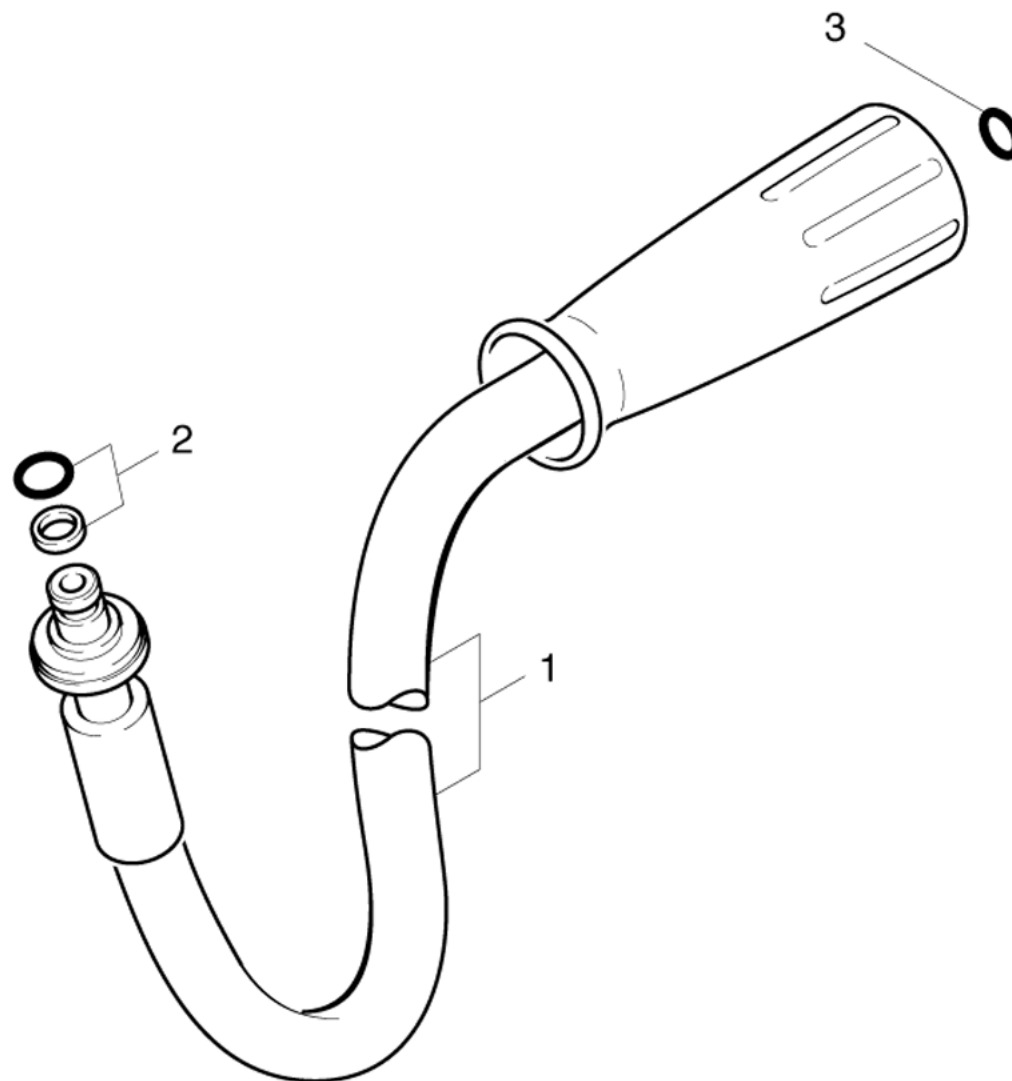
60 Adapter pipelines AVS-M22x1,5 (4.421-739.3)

POS	Article no.	Description	Quantity	Unit
7	4.363-691.0	O-Ring seal kpl. -nur fuer Ersatz-	1	PC



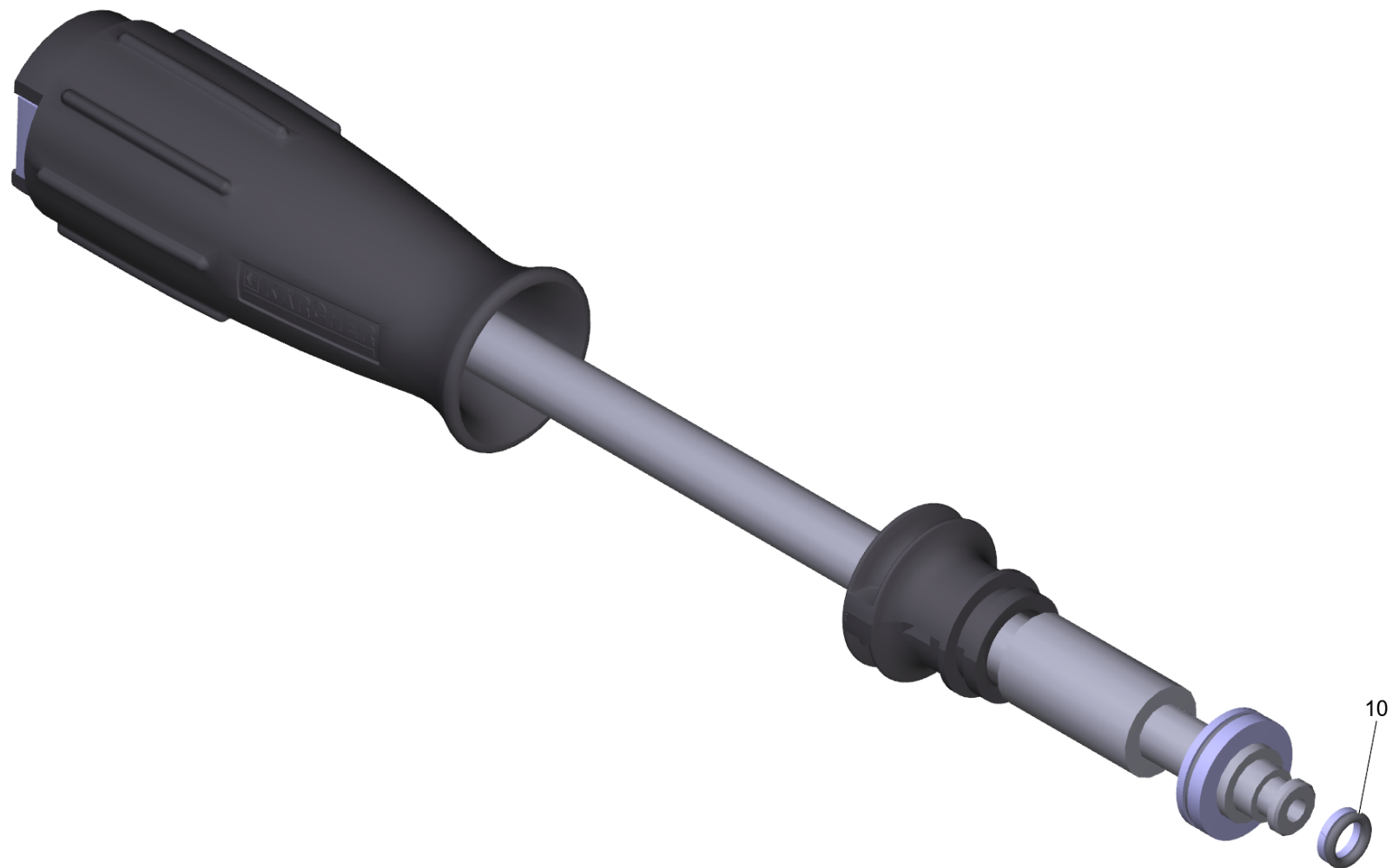
9 Adapter pipelines AVS-M22x1,5 (4.421-739.3)

POS	Article no.	Description	Quantity	Unit
7	4.363-691.0	O-Ring seal kpl. -nur fuer Ersatz-	1	PC



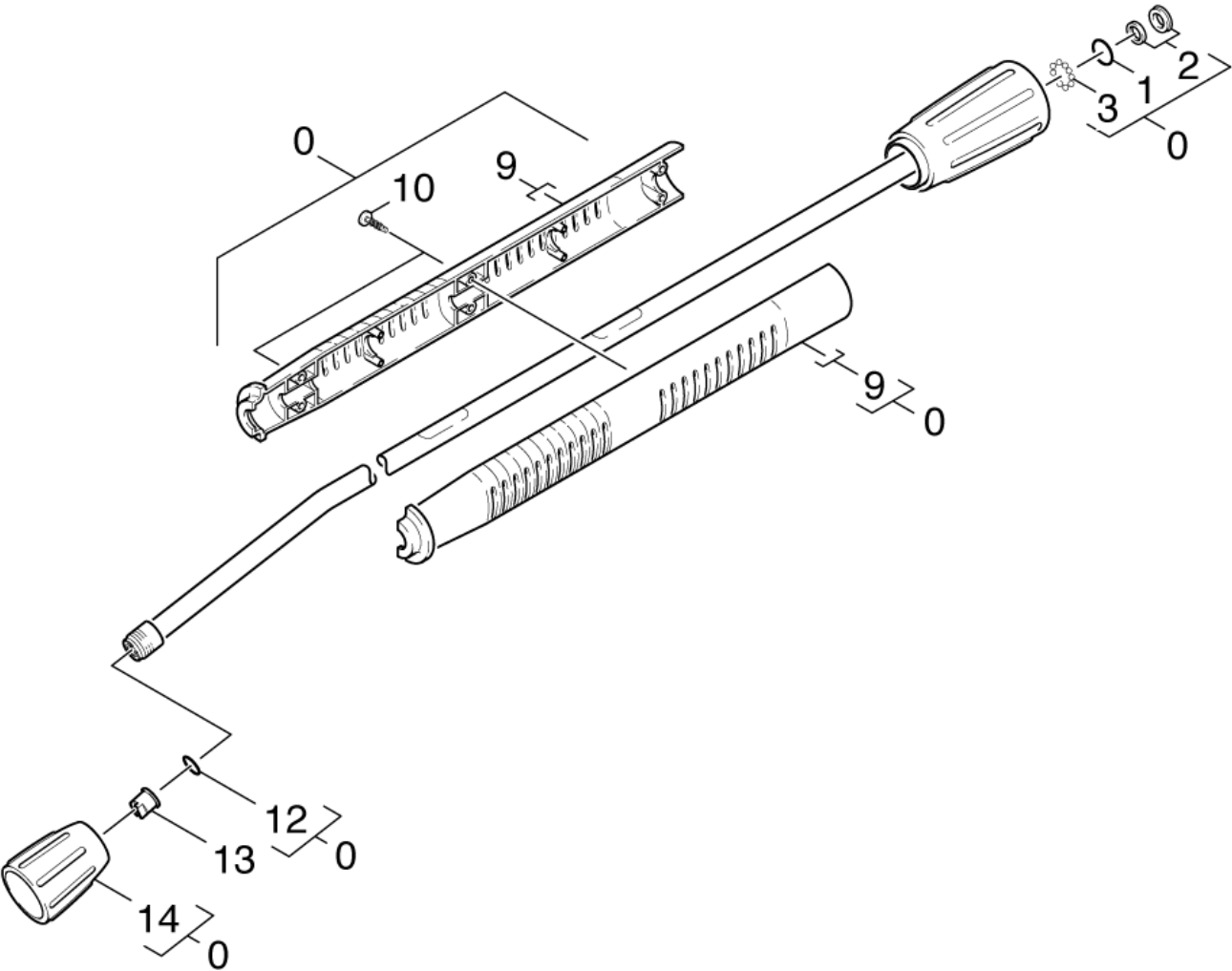
105 High pressure hose

POS	Article no.	Description	Quantity	Unit
1	6.390-208.0	Hose assembly DN8 40MPa 20m	1	PC
	Item text1: / 1.027-320.0 / -321.0			
1	6.391-351.0	Hose assembly only for replacement DN8 4	1	PC
	Item text1: / 1.027-301.0 / -302.0 / -305.0			
	Item text2: / -307.0 / -312.0 / -314.0			
1	6.391-354.0	Hose assembly only for replacement DN8 4	1	PC
	Item text1: / 1.027-304.0 / -306.0 / -313.0			
2	4.363-691.0	O-Ring seal kpl. -nur fuer Ersatz-	1	PC
3	2.880-990.0	Spare part set O-Ring 5x -Kaercher	1	PC



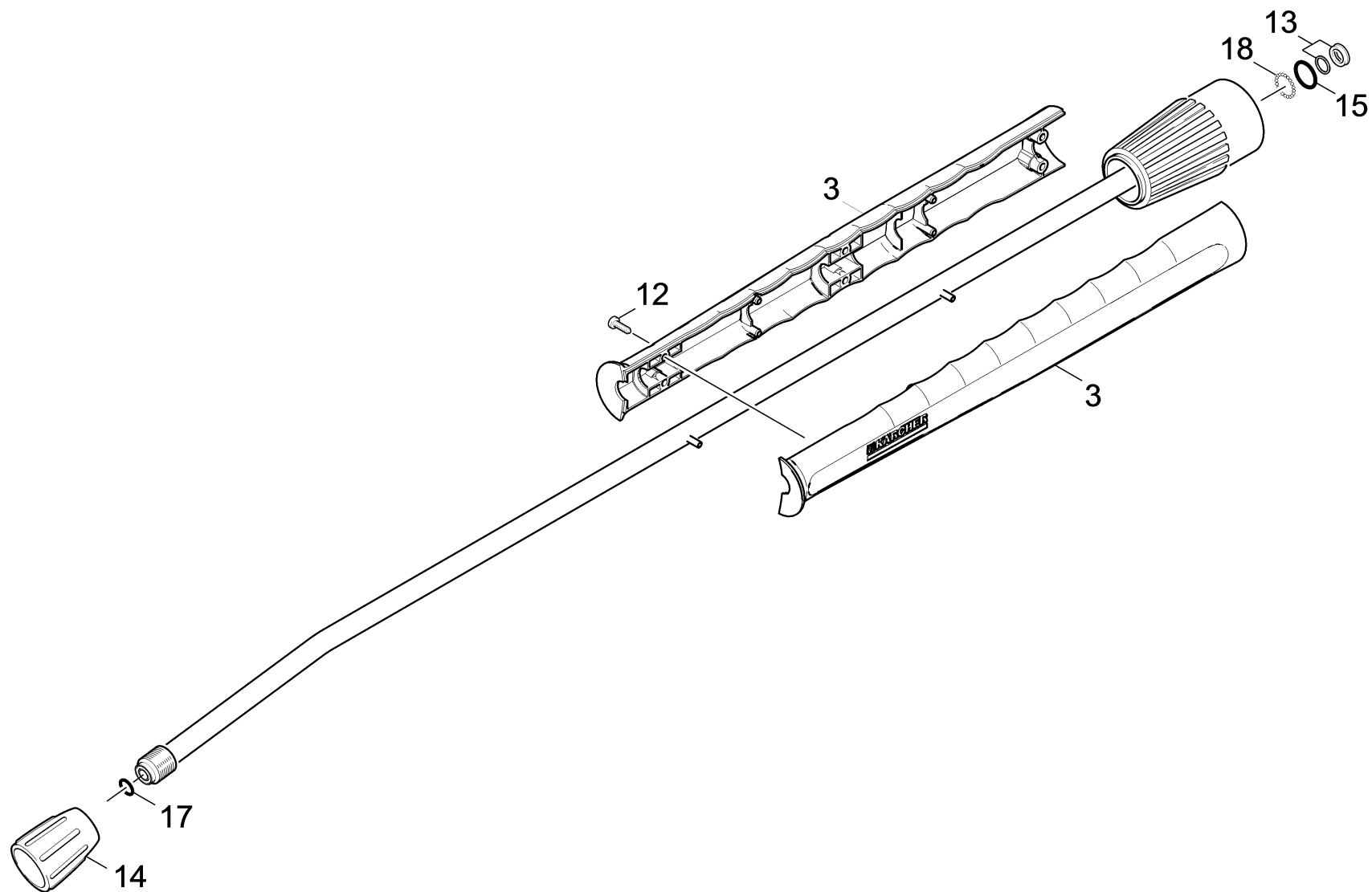
1 Hose assembly only for replacement DN8 4 (6.391-351.0)

POS	Article no.	Description	Quantity	Unit
10	4.363-691.0	O-Ring seal kpl. -nur fuer Ersatz-	1	PC



106 Jet pipe

POS	Article no.	Description	Quantity	Unit
0	4.760-660.0	Jet pipe packaged only for replacement	1	PC
1	6.362-524.0	O-Ring seal 17,0 X 1,5	1	PC
2	4.363-692.0	Grooved ring kpl. -nur fuer Ersatz-	1	PC
3	7.401-915.0	Sphere 2,5 G20 -1.4034 DIN 5401	20	PC
9	5.322-083.3	Handhold few extended Low End	1	PC
10	6.303-199.0	Oval head screw 4,2x 16	6	PC
12	2.880-154.0	O-Ring kit	1	PC
13	2.883-927.0	Power nozzle 25054	1	PC
14	5.401-129.0	Screw connector part	1	PC

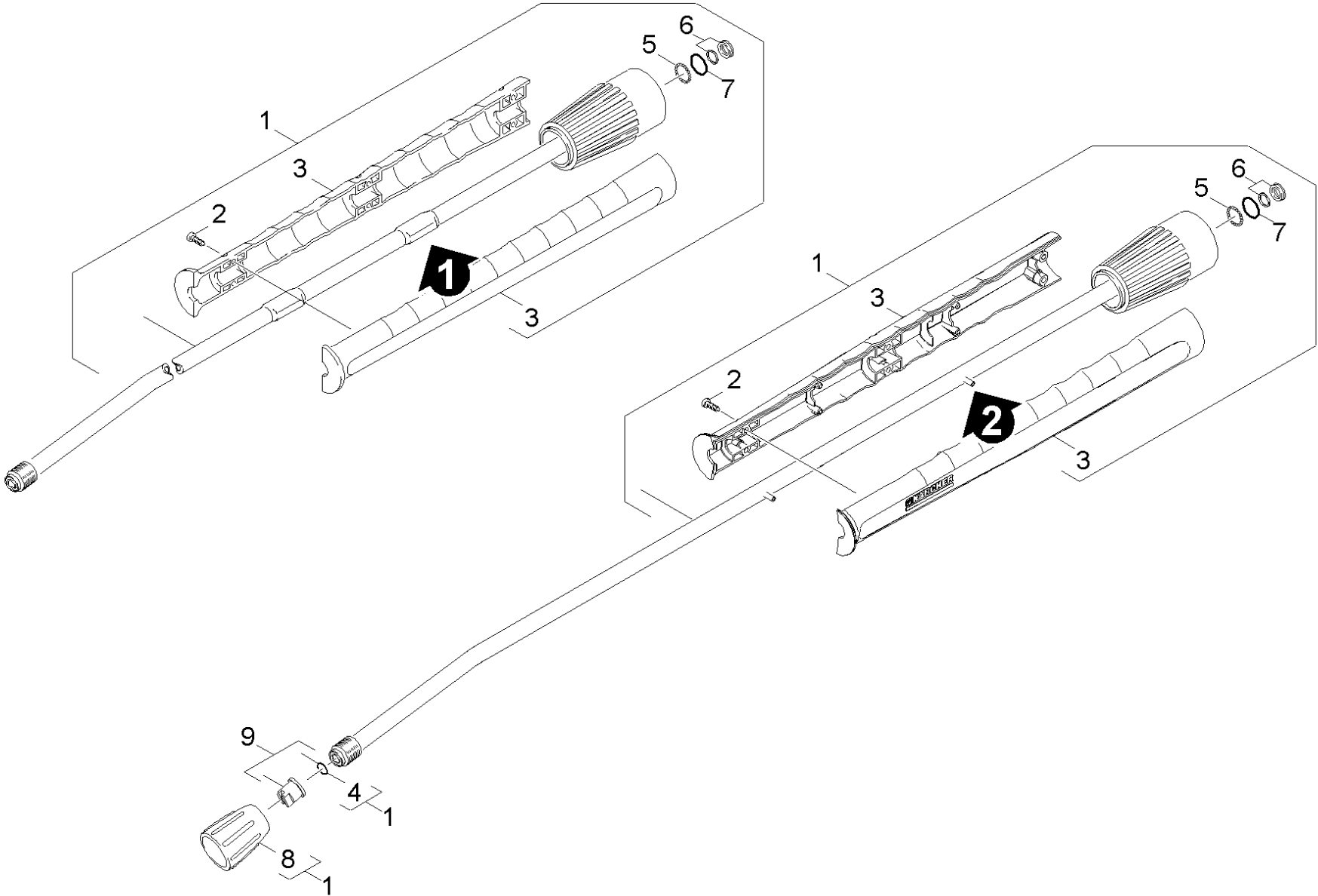


Jet pipe packaged only for replacement (4.760-660.0)

POS	Article no.	Description	Quantity	Unit
3	5.321-855.3	Handhold few jet pipe with welding bolt packed	1	PC
12	7.303-129.0	Screw 4x16-10.9-R2R (K-In6Rd)	6	PC
13	4.363-692.0	Grooved ring kpl. -nur fuer Ersatz-	1	PC
14	5.401-210.0	Screw connector part	1	PC
15	6.362-524.0	O-Ring seal 17,0 X 1,5	1	PC
17	2.880-990.0	Spare part set O-Ring 5x -Kaercher	1	PC
18	7.401-915.0	Sphere 2,5 G20 -1.4034 DIN 5401	1	PC

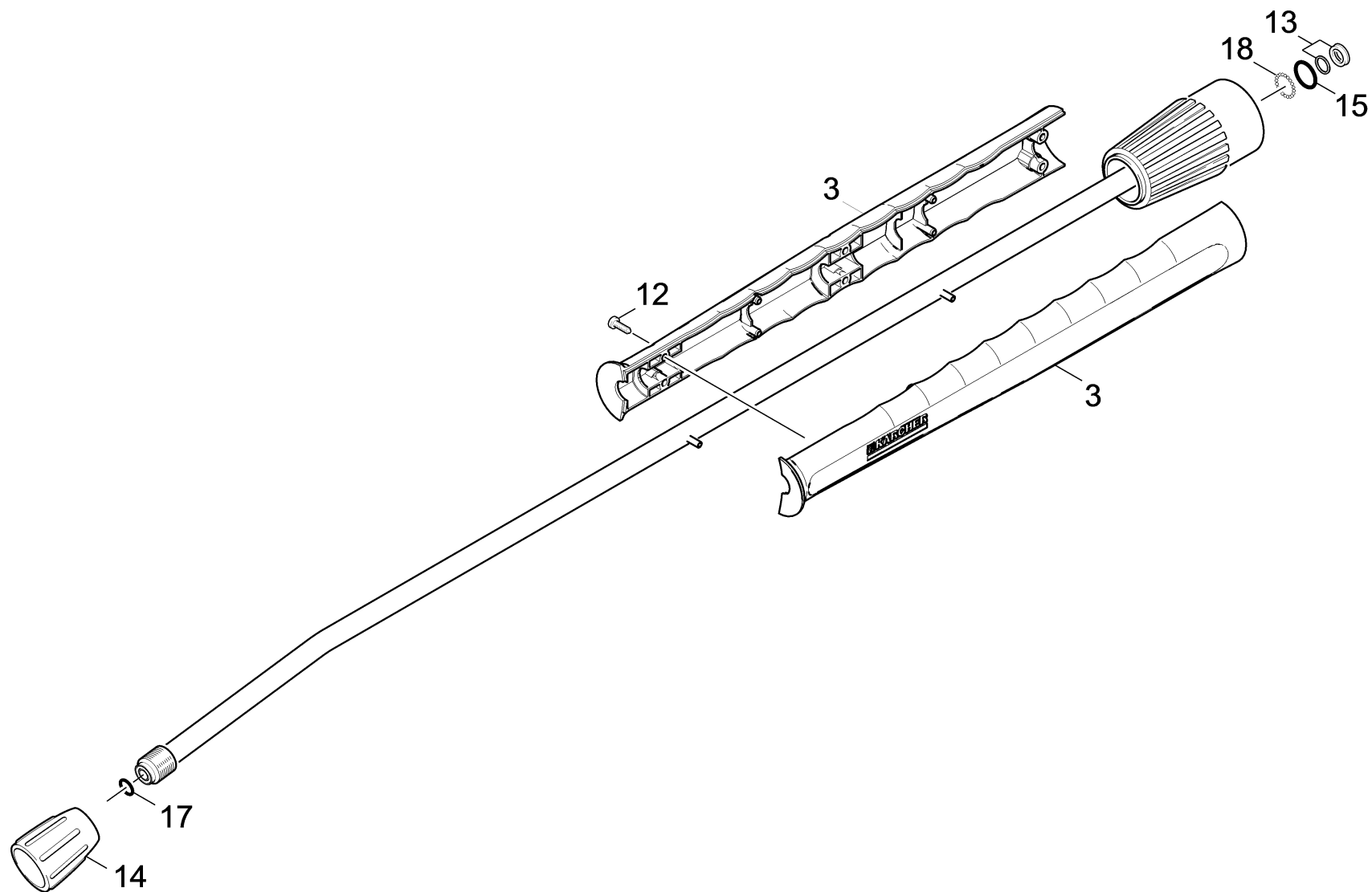
13 Power nozzle 25054 (2.883-927.0)

POS	Article no.	Description	Quantity	Unit
2	7.362-501.0	O-Ring seal 10x2 EPDM 70 DIN 3770	1	PC



107 Jet pipe

POS	Article no.	Description	Quantity	Unit	Remark
1	4.760-660.0	Jet pipe packaged only for replacement	1	PC	
2	7.303-129.0	Screw 4x16-10.9-R2R (K-In6Rd)	6	PC	
3	5.321-855.3	Handhold few jet pipe with welding bolt packed	1	PC	VERSION 2
3	5.322-083.3	Handhold few extended Low End	1	PC	VERSION 1
4	2.880-990.0	Spare part set O-Ring 5x -Kaercher	1	PC	
5	7.401-915.0	Sphere 2,5 G20 -1.4034 DIN 5401	20	PC	
6	4.363-692.0	Grooved ring kpl. -nur fuer Ersatz-	1	PC	
7	6.362-524.0	O-Ring seal 17,0 X 1,5	1	PC	
8	5.401-129.0	Screw connector part	1	PC	
9	2.883-927.0	Power nozzle 25054	1	PC	

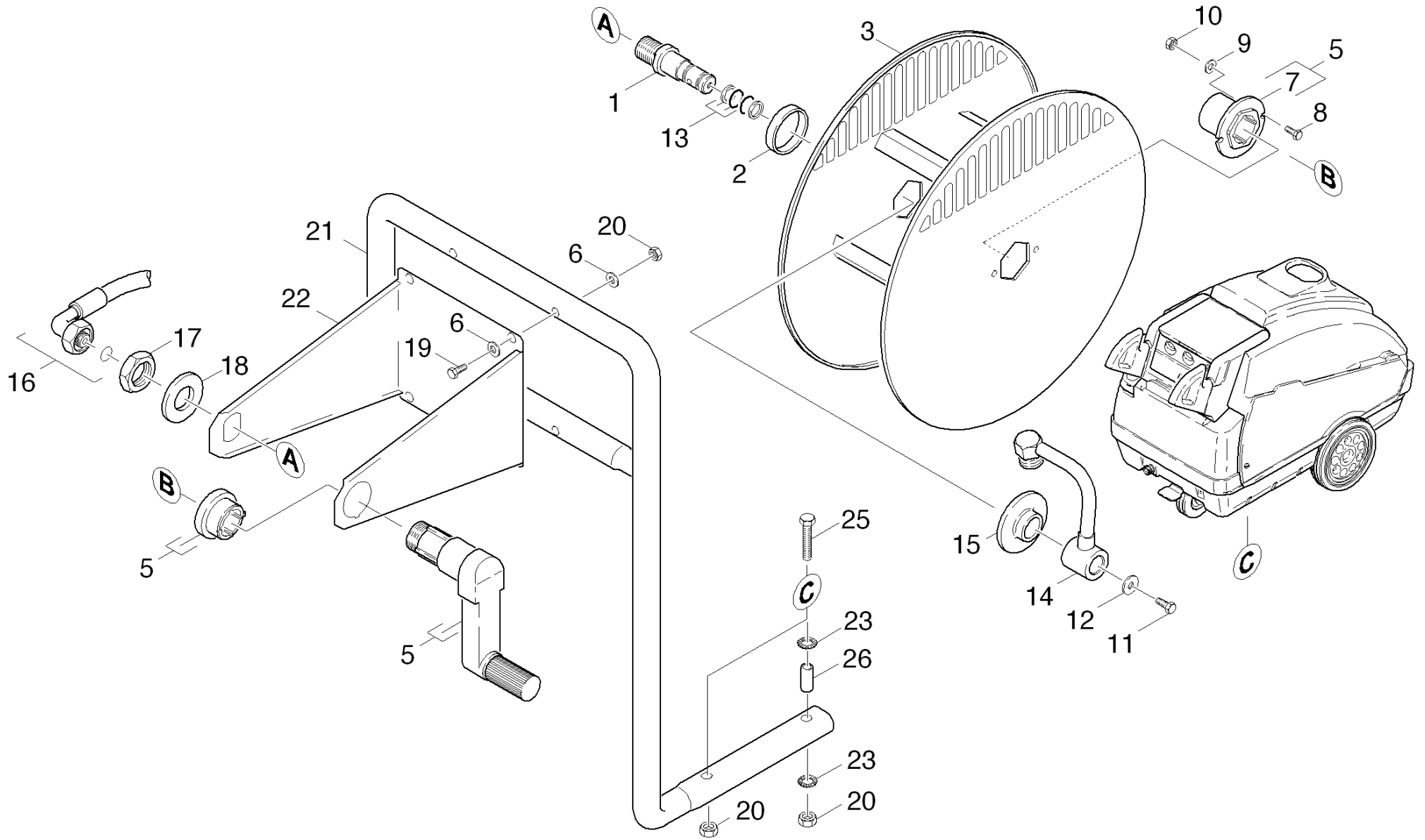


1 Jet pipe packaged only for replacement (4.760-660.0)

POS	Article no.	Description	Quantity	Unit
3	5.321-855.3	Handhold few jet pipe with welding bolt packed	1	PC
12	7.303-129.0	Screw 4x16-10.9-R2R (K-In6Rd)	6	PC
13	4.363-692.0	Grooved ring kpl. -nur fuer Ersatz-	1	PC
14	5.401-210.0	Screw connector part	1	PC
15	6.362-524.0	O-Ring seal 17,0 X 1,5	1	PC
17	2.880-990.0	Spare part set O-Ring 5x -Kaercher	1	PC
18	7.401-915.0	Sphere 2,5 G20 -1.4034 DIN 5401	1	PC

9 Power nozzle 25054 (2.883-927.0)

POS	Article no.	Description	Quantity	Unit
2	7.362-501.0	O-Ring seal 10x2 EPDM 70 DIN 3770	1	PC

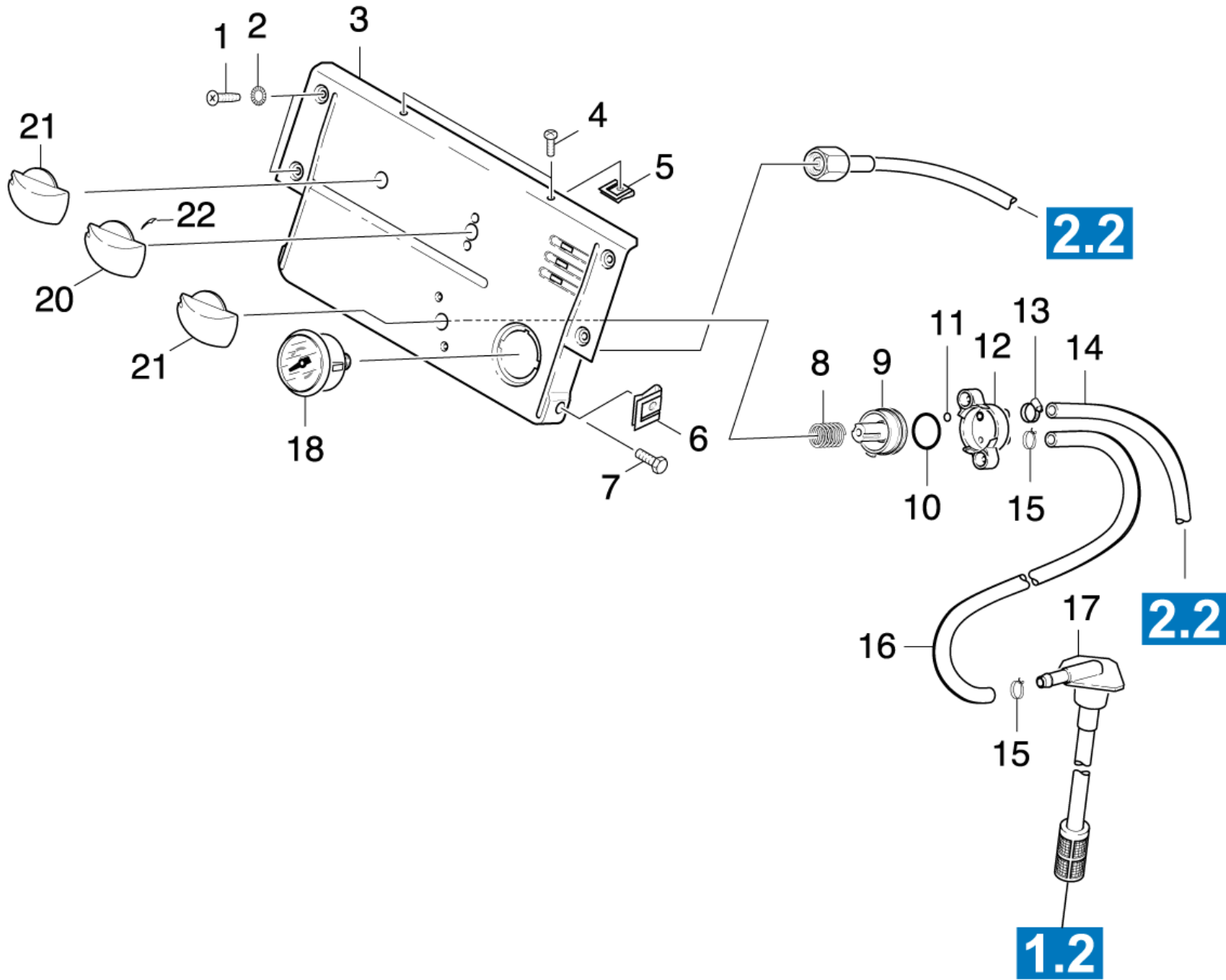


108 Hose reel

POS	Article no.	Description	Quantity	Unit
1	5.108-098.0	Pin	1	PC
	Item text1: / 1.027-320.0			
2	5.110-340.0	Sleeve	1	PC
	Item text1: / 1.027-320.0			
3	4.204-504.0	Hose reel	1	PC
	Item text1: / 1.027-320.0			
5	2.884-318.0	Spare part set hose reel	1	PC
	Item text1: / 1.027-320.0			
6	7.312-004.0	Washer 8 -200HV-A3E ISO 7089	8	PC
	Item text1: / 1.027-320.0			
7	5.112-304.0	Bush	1	PC
	Item text1: / 1.027-320.0			
8	7.306-058.0	Screw M 4X 12- 8.8-R2R K-IN6RD	2	PC
	Item text1: / 1.027-320.0			
9	7.312-001.0	Washer 4-200HV-A2K ISO 7089	2	PC
	Item text1: / 1.027-320.0			
10	7.311-001.0	Hexagon nut M4 -6-A2E ISO 4032	2	PC
	Item text1: / 1.027-320.0			
11	7.304-540.0	Hexagonal head screw M 6x8-A4-70 ISO 40	1	PC
	Item text1: / 1.027-320.0			
12	7.312-260.0	Washer 6 -100HV-A3E ISO 7094	1	PC
	Item text1: / 1.027-320.0			
13	4.363-693.0	O-Ring seal kpl. -nur fuer Ersatz-	2	PC
	Item text1: / 1.027-320.0			
14	4.408-044.0	Tube elbow	1	PC
	Item text1: / 1.027-320.0			
15	5.112-305.0	Bush	1	PC
	Item text1: / 1.027-320.0			
16	6.390-123.0	Hose assembly DN8 40MPa 0,6m	1	PC
	Item text1: / 1.027-320.0			
17	7.311-155.0	Hexagon nut M22x1,5 -Cu2 DIN 936	1	PC
	Item text1: / 1.027-320.0			
18	7.312-024.0	Washer 22-200HV-A2K ISO 7090	1	PC

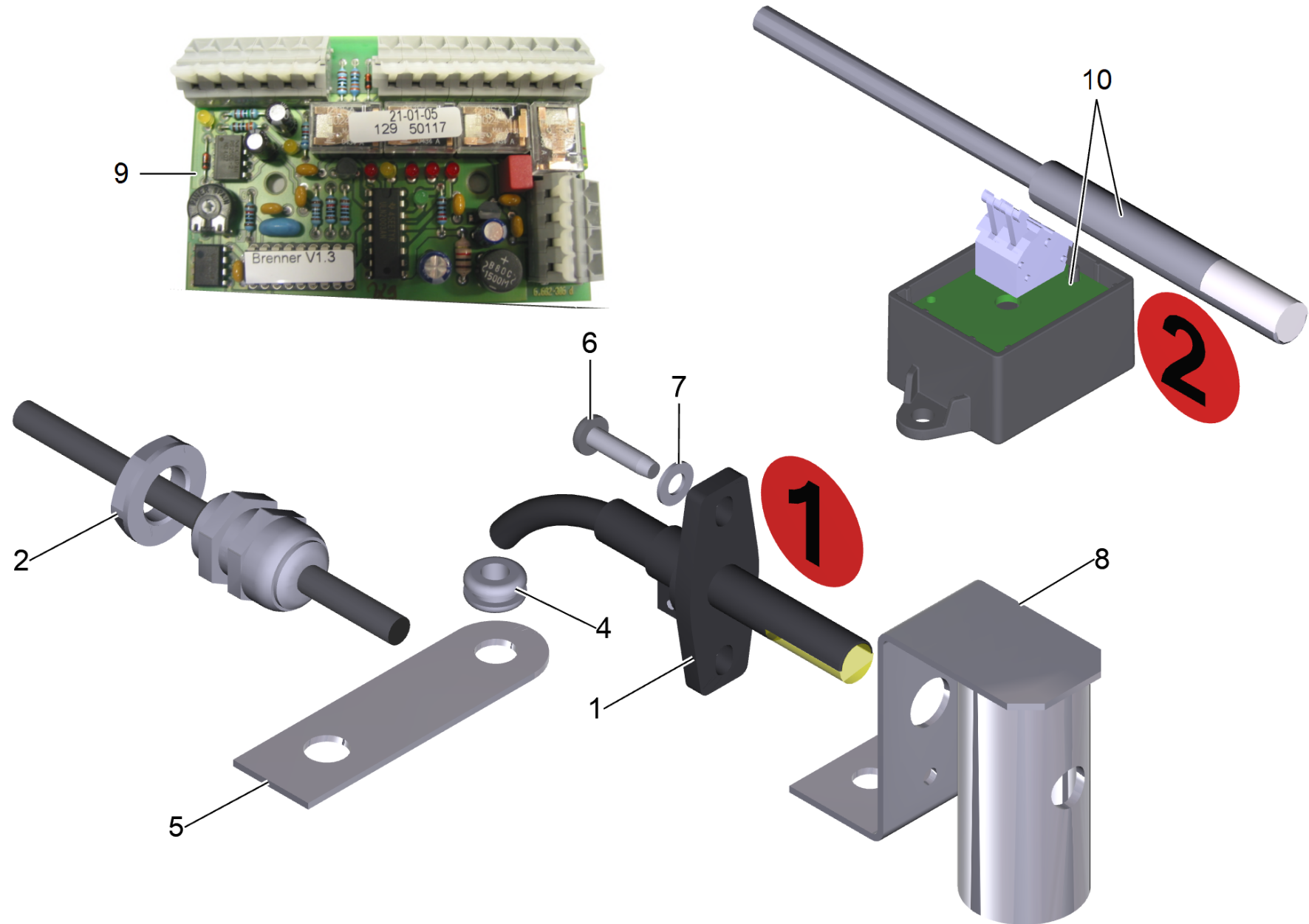
108 Hose reel

POS	Article no.	Description	Quantity	Unit
	Item text1: / 1.027-320.0			
19	7.306-114.0	Cylinder head screw M 8x40-A2-70 ISO 47	4	PC
	Item text1: / 1.027-320.0			
20	7.311-004.0	Hexagon nut M8 -8-A3E ISO 4032	8	PC
	Item text1: / 1.027-320.0			
21	4.044-034.0	Holder complete	1	PC
22	5.046-485.0	Sheet metal component	1	PC
	Item text1: / 1.027-320.0			
23	7.312-166.0	Toothed lock washer A8,4-FSt-A3E DIN 6797	4	PC
	Item text1: / 1.027-320.0			
24	7.306-043.0	Cylinder head screw M8x30 -8.8-A2E ISO	2	PC
	Item text1: / 1.027-320.0			
25	7.304-401.0	Hexagonal head screw M 8x60-8.8-A2E ISO	4	PC
	Item text1: / 1.027-320.0			
26	5.110-778.0	Sleeve	4	PC
	Item text1: / 1.027-320.0			



110 Control panel

POS	Article no.	Description	Quantity	Unit	Foot note text
1	7.303-038.0	Screw M5x12 -St-P2R (In6Rd)	4	PC	
2	7.312-172.0	Toothed lock washer A5,3-FSt-A3E DIN 6797	4	PC	
3	5.841-463.0	Control panel	1	PC	
	Item text1: / 1.027-301.0 / -302.0 / -304.0 / -305.0 / -306.0 / -307.0 / -312.0 / -313.0 / -314.0				
3	5.841-463.0	Control panel	1	PC	
	Item text1: / 1.027-320.0 / -321.0				
4	7.303-078.0	Sheet metal screw ST4,8X19-ST-P2R (In6Rd)	2	PC	
5	6.310-034.0	Speed nut	2	PC	
6	6.310-082.0	Putting nut M6	2	PC	
7	7.304-382.0	Hexagonal head screw M 6x12-8.8-A2E ISO	2	PC	
8	5.332-474.0	Helical spring	1	PC	
9	5.581-251.0	Valve seat	1	PC	
10	6.362-712.0	O-Ring seal 25,3 X 2,4	1	PC	
11	6.362-386.0	O-Ring seal 5,0 x 1,5-NBR 80	1	PC	
12	5.587-054.0	Valve housing	1	PC	
13	6.388-515.0	Hose clip	1	PC	
14	6.388-194.0	Hose DN 7	1	m	TO ORDER AS CUT GOODS
15	6.388-559.0	Hose clip	2	PC	
16	6.388-225.0	Hose DN 7	1	m	TO ORDER AS CUT GOODS
17	6.414-028.0	Filter	1	PC	
18	6.421-170.0	Pressure gauge 0-315 BAR	1	PC	
20	5.321-641.0	Handhold thermostat	1	PC	
21	5.321-633.0	Handhold	2	PC	
22	6.313-014.0	Spring element	1	PC	



120 Flame guard

POS	Article no.	Description	Quantity	Unit
1	7.777-999.0	Stockpiling discontinued	1	PC
2	6.641-208.0	Cable gland M12x1,5 PA	1	PC
3	6.648-422.0	Blind plug grey M12X1,5	1	PC
4	6.641-638.0	Wire protecting sleeve	1	PC
	Item text1: / 1.027-312.0			
5	5.042-833.0	Holder	1	PC
	Item text1: / 1.027-312.0			
6	7.303-033.0	Screw M4x16-ST-P2R (KOMBI-IN6RD	2	PC
7	7.312-001.0	Washer 4-200HV-A2K ISO 7089	2	PC
	Item text1: / 1.027-312.0			
8	4.043-246.0	Holder	1	PC
9	6.682-306.0	Circuit board burner	1	PC
	Item text1: / 1.027-312.0			
10	4.101-032.0	Spare parts set flame sensor 32V	1	PC

10 Spare parts set flame sensor 32V (4.101-032.0)

POS	Article no.	Description	Quantity	Unit
2	6.664-003.0	Flame sensor	1	PC
