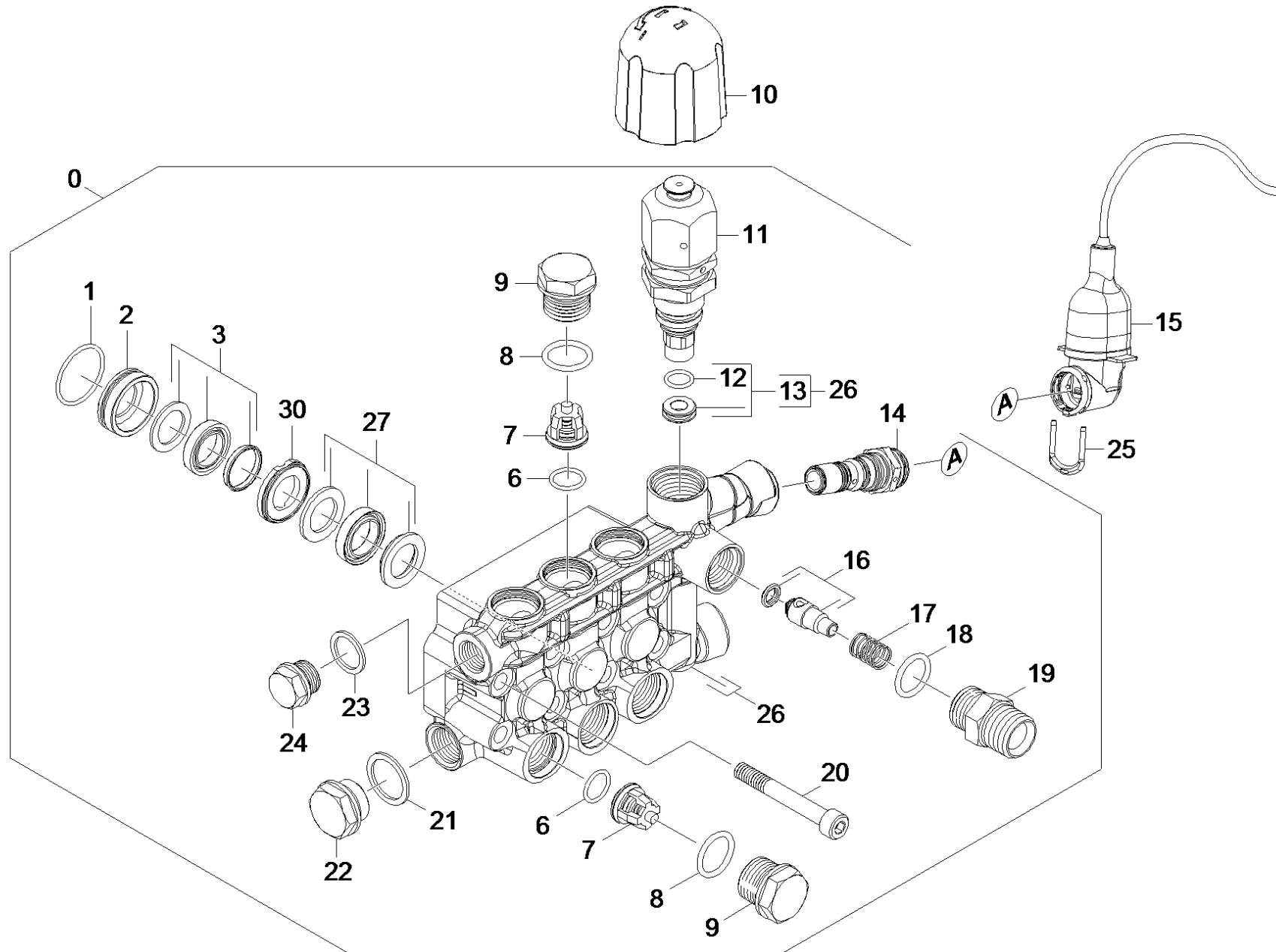


21 Cylinder head

Professional \ High pressure cleaner cold water \ Electric motor \ HD 6/11-4 Cage Contractor *KAP \ Pump set \ Cylinder head



21 Cylinder head

Professional \ High pressure cleaner cold water \ Electric motor \ HD 6/11-4 Cage Contractor *KAP \ Pump set \ Cylinder head



POS	Article no.	Description	Quantity	Unit
0	9.751-037.0	Cylinder head pressure switch only for r	1	PC
26	9.751-040.0	Cylinder head pressure switch only for r	1	PC
20	7.306-047.0	Cylinder head screw M8x60 -8.8-A2E ISO4	8	PC
9	9.761-097.0	Drain plug	6	PC
22	9.761-067.0	Drain plug G 1/2"	1	PC
24	9.761-057.0	Drain plug G 3/8"	1	PC
11	6.101-266.0	Excess-current with valve seat	1	PC
10	9.761-237.0	Handle	1	PC
27	9.761-106.0	HD seal D 18	3	PC
	Item text1: replaced by 6.365-493.3			
23	9.761-007.0	Joint ring G 3/8"	1	PC
3	9.761-108.0	ND seal D 18	3	PC
	Item text1: replaced by 6.365-495.3			
12	9.761-099.0	O-Ring seal 12.42x1.78	1	PC
18	9.761-004.0	O-Ring seal 17.13 x 2.62	1	PC
8	9.761-103.0	O-Ring seal 18.77x1.78	6	PC
1	9.761-107.0	O-Ring seal 28.30 x 1.78	3	PC
6	9.761-104.0	O-Ring seal D 15.54x2.62	6	PC
16	9.751-027.0	Piston complete only for replacement	1	PC
17	9.761-064.0	Pressure spring	1	PC
14	9.751-030.0	Pressure switch complete only for replac	1	PC
25	5.034-494.0	Retaining bracket	1	PC
19	9.761-052.0	Screw plug	1	PC
21	9.761-105.0	Seal G 1/2"	1	PC
2	9.761-075.0	Seat D 18x26	3	PC
27	6.365-493.0	Set of gaskets high-pressure W1	3	PC
	Item text1: replaced by 6.365-493.3			
27	6.365-493.3	Set of gaskets high-pressure W1	3	PC
	Item text1: successor of 9.761-106.0			
3	6.365-495.3	Set of gaskets low-pressure W2	3	PC
	Item text1: successor of 9.761-108.0			
15	9.751-013.0	Switch complete *CN	1	PC
7	9.751-004.0	Valve complete	6	PC

21 Cylinder head

Professional \ High pressure cleaner cold water \ Electric motor \ HD 6/11-4 Cage Contractor *KAP \ Pump set \ Cylinder head



POS	Article no.	Description	Quantity	Unit
13	9.751-028.0	Valve seat complete only for replacement	1	PC
30	9.761-056.0	Washer D 18 x 28	3	PC