

Spare parts list

(1.085-801.0) K 3000 PLUS * EUR

Table of contents

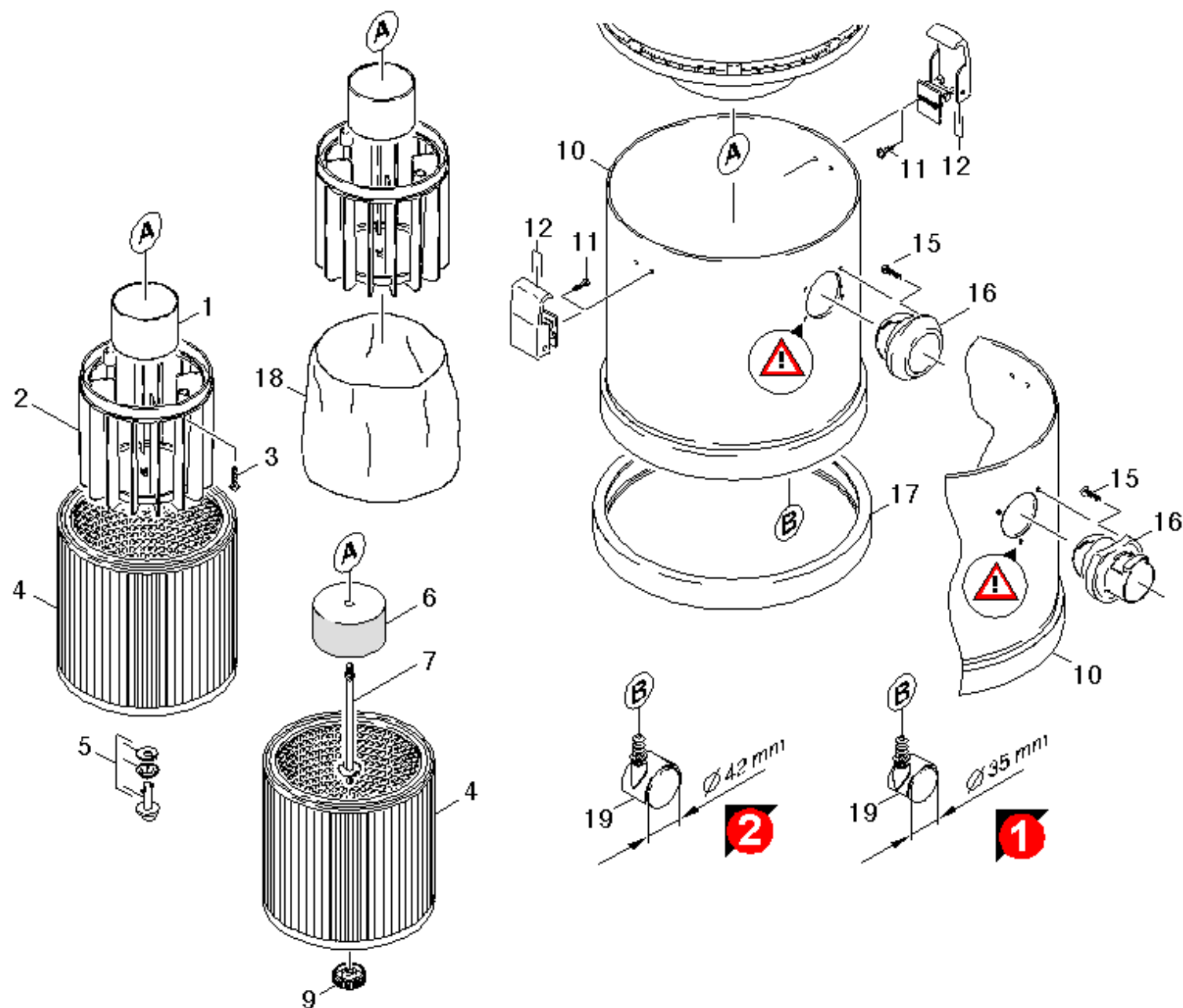
K 3000 PLUS * EUR (1.085-801.0)	3
Spare parts list K 2201 (5.955-822.0)	4
10 Appliance individual parts	5
20 Appliance work head	7
30 Accessories	10

K 3000 PLUS * EUR (1.085-801.0)

POS	Article no.	Description	Quantity	Unit
0	5.955-822.0	Spare parts list K 2201	1.000	ST
Item text2: 10858010				

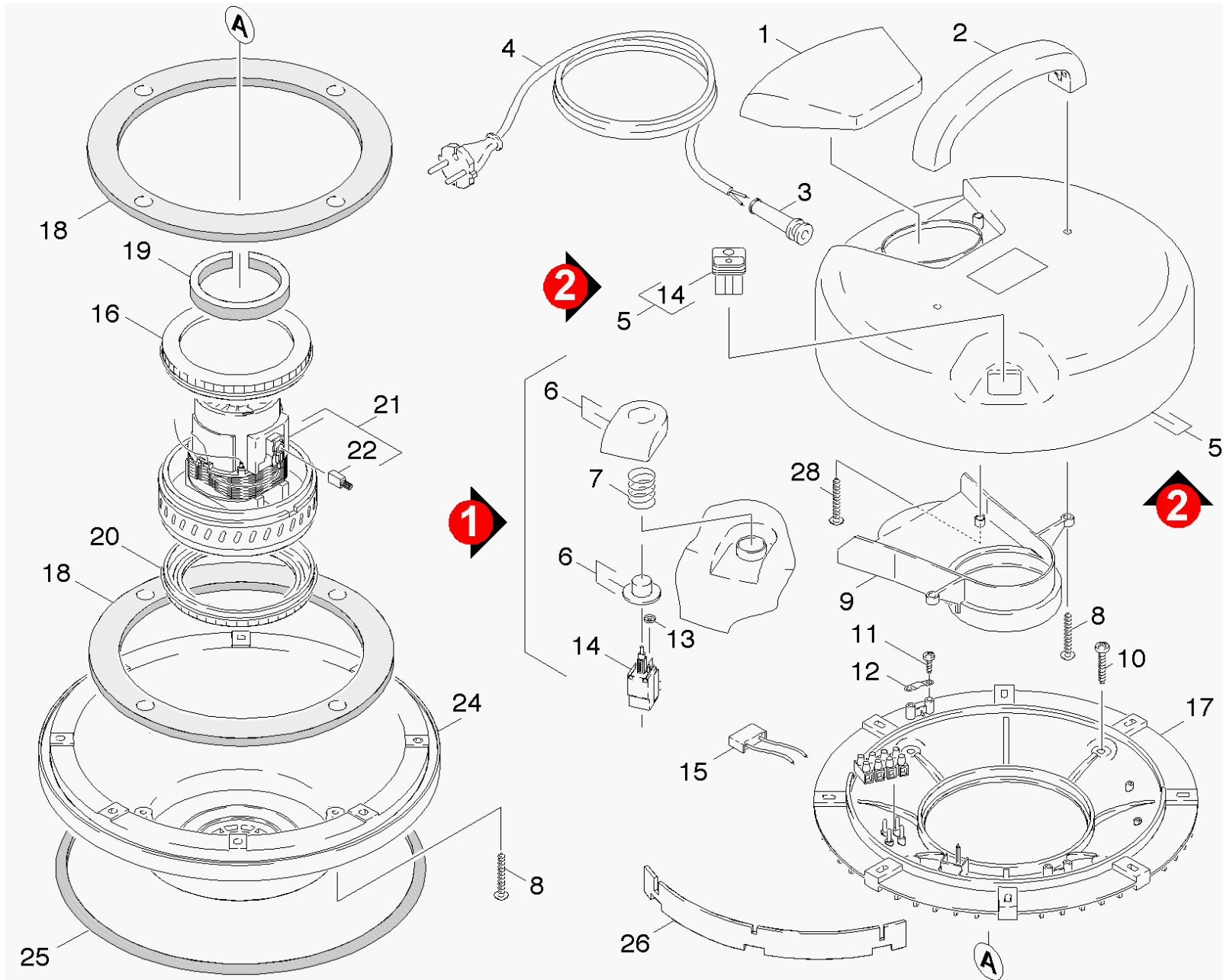
Spare parts list K 2201 (5.955-822.0)

POS	Description	Quantity	Unit
30	Accessories	1.000	ST
10	Appliance individual parts	1.000	ST
20	Appliance work head	1.000	ST



10 Appliance individual parts

POS	Article no.	Description	Quantity	Unit	Remark	Foot note text
7	6.959-403.0	Bar float	1.000	ST		
	Item text1: / 1.085-121.0 ab from a 204867 / -281.0 / -291.0 ab from a 10501 / -601.0 / -801.0 ab from a 83663					
5	6.959-159.0	Bayonet coupling	1.000	ST		
	Item text1: / 1.085-121.0 bis up to jusq. 204866 / -281.0 / -291.0 bis up to jusq. 10500 / -601.0 / -801.0 bis up to jusq. 83662					
4	6.414-354.0	Cartridge filter	1.000	ST		
19	6.435-353.0	Castor D 42	4.000	ST	VERSION 2	
19	6.435-353.0	Castor D 42	4.000	ST	VERSION 1	ORDER VERSION 2 / QUANTITY ACCORDING TO DEMAND
12	2.884-297.0	Closure complete	1.000	ST		
16	6.901-033.0	Connecting nipple black	1.000	ST	3 BOHRUNGEN	
	Item text1: / 1.085-121.0 ab from a 257088 / -131.0 ab from a 11020 / -141.0 / -281.0 ab from a 11672 / -291.0 ab from a 10500 / -601.0 / -801.0 ab from a 111064 / -803.0					
18	6.905-054.0	Filter cloth	1.000	ST		
6	6.903-248.0	Float	1.000	ST		
	Item text1: / 1.085-121.0 ab from a 204867 / -281.0 / -291.0 ab from a 10501 / -601.0 / -801.0 ab from a 83663					
2	6.959-128.0	Moulded part	1.000	ST		
	Item text1: / 1.085-121.0 bis up to jusq. 204866 / -131.0 / -141.0 / -281.0 / -291.0 bis up to jusq. 10500 / -601.0 / -801.0 bis up to jusq. 83662 / -803.0					
1	6.959-127.0	Moulded part	1.000	ST		
	Item text1: / 1.085-121.0 bis up to jusq. 204866 / -131.0 / -141.0 / -281.0 / -291.0 bis up to jusq. 10500 / -601.0 / -801.0 bis up to jusq. 83662 / -803.0					
3	7.303-026.0	Screw 4x16 -A2-70 (In6Rd)	2.000	ST		
15	6.959-129.0	Screw 5X10,5	4.000	ST		
11	7.303-326.0	Sheet metal screw ST3,5x9,5 -St-fIZn/nc4	4.000	ST		
17	7.777-999.0	Stockpiling discontinued	1.000	ST		
10	7.777-999.0	Stockpiling discontinued	1.000	ST		YELLOW - 4 DRILLINGS
9	7.777-999.0	Stockpiling discontinued	1.000	ST		
	Item text1: / 1.085-121.0 ab from a 204867 / -281.0 / -291.0 ab from a 10501 / -601.0 / -801.0 ab from a 83663					
16	6.959-162.0	Suction nipple	1.000	ST	4 BOHRUNGEN	
	Item text1: / 1.085-121.0 bis up to jusq. 257087 / -131.0 bis up to jusq. 11019 / -281.0 bis up to jusq. 11671 / -291.0 bis up to jusq. 10499 / -801.0 bis up to jusq. 111063					
10	6.959-280.0	Tank grey four holes	1.000	ST		GREY - 4 DRILLINGS
10	6.959-405.0	Tank grey three holes	1.000	ST		GREY - 3 DRILLINGS
10	9.411-371.0	Tank zinc yellow	1.000	ST		YELLOW - 3 DRILLINGS

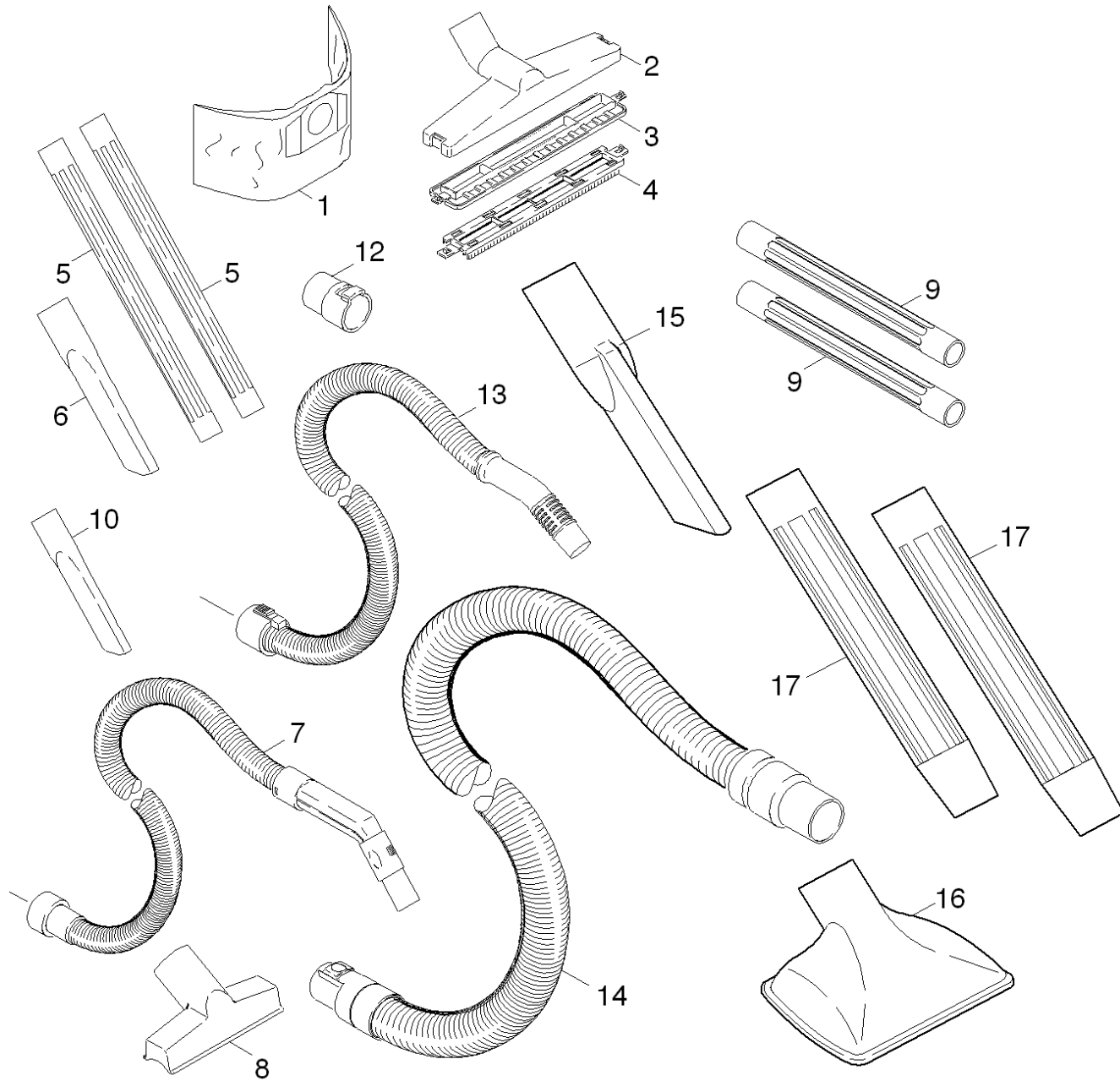


20 Appliance work head

POS	Article no.	Description	Quantity	Unit	Foot note text
26	6.959-258.0	Air circulation	1.000	ST	
15	6.905-315.0	Anti-interference capacitor	1.000	ST	
4	6.647-915.0	Cable with plug	1.000	ST	
	Item text1: / 1.085-121.0 / -131.0 / -141.0				
	Item text2: / -801.0				
4	6.641-973.0	Cable with plug *AU	1.000	ST	
	Item text1: / 1.085-601.0 / -803.0				
4	6.641-676.0	Cable with plug 7,5m * GB	1.000	ST	
	Item text1: / 1.085-281.0				
22	6.610-204.0	Carbon brush set only for replacement	2.000	ST	
12	6.903-241.0	Clamp clip	1.000	ST	
2	6.959-153.0	Handhold	1.000	ST	
13	6.959-143.0	Lock washer	1.000	ST	
	Item text2: / 1.085-121.0 bis up to jusq. 257087				
24	9.411-574.0	Motor bracket K 2201 F	1.000	ST	
9	6.959-434.0	Moulded part air circulation	1.000	ST	
1	6.959-476.0	Moulded part corn yellow	1.000	ST	
	Item text1: / 1.085-121.0 / -281.0 / -291.0				
	Item text2: / -601.0				
7	6.959-120.0	Pressure spring	1.000	ST	
	Item text2: / 1.085-121.0 bis up to jusq. 257087				
25	6.903-260.0	Profile gasket	1.000	ST	
19	6.903-363.0	Profile gasket	1.000	ST	TO ORDER AS CUT GOODS
6	6.959-156.0	Pushbutton complete	1.000	ST	
	Item text2: / 1.085-121.0 bis up to jusq. 257087				
10	6.903-395.0	Screw 5,0x28	4.000	ST	
18	6.959-125.0	Seal	2.000	ST	
20	6.903-246.0	Seal motor	2.000	ST	
16	6.903-300.0	Seal motor	1.000	ST	
28	7.303-065.0	Sheet metal screw ST3,5X25-ST-A2R (IN6R	2.000	ST	
11	7.303-071.0	Sheet metal screw ST4,2X9,5 -St-A2K (In	2.000	ST	
8	7.303-387.0	Sheet metal screw ST4,2x25,0-A2-70-sw IS	6.000	ST	
1	7.777-999.0	Stockpiling discontinued	1.000	ST	

20 Appliance work head

POS	Article no.	Description	Quantity	Unit	Foot note text
		Item text1: / 1.085-131.0 / -141.0 / -801.0			
		Item text2: / -803.0			
14	7.777-999.0	Stockpiling discontinued	1.000	ST	
		Item text2: / 1.085-121.0 bis up to jusq. 257087			
5	7.777-999.0	Stockpiling discontinued	1.000	ST	YELLOW
5	7.777-999.0	Stockpiling discontinued	1.000	ST	GREY
4	7.777-999.0	Stockpiling discontinued	1.000	ST	
		Item text1: / 1.085-291.0			
3	7.777-999.0	Stockpiling discontinued	1.000	ST	
17	7.777-999.0	Stockpiling discontinued	1.000	ST	
14	6.962-194.0	Switch turbine	1.000	ST	
		Item text1: / 1.085-121.0 ab from a 257088			
		Item text2: / -131.0 ab from a 11020			
21	6.490-109.0	Vacuum motor 1000W 230V 50/60HZ	1.000	ST	
		Item text1: / 1.085-121.0 / -131.0 / -141.0			
		Item text2: / -291.0 / -801.0			
21	6.490-110.0	Vacuum motor 1000W 240V 50/60HZ	1.000	ST	
		Item text1: / 1.085-281.0 / -601.0 / -803.0			



30 Accessories

POS	Article no.	Description	Quantity	Unit	Remark
16	6.905-073.0	Bulk waste nozzle	1.000	ST	
	Item text1: / 1.085-141.0				
6	2.638-606.0	Crevice nozzle	1.000	ST	
10	6.900-385.0	Crevice nozzle DN35	1.000	ST	
	Item text1: / 1.085-121.0 ab from a 257088 / -131.0 ab from a 11020 / -281.0 ab from a 11672 / -291.0 ab from a 10500 / -601.0 / -801.0 / -803.0				
15	6.903-234.0	Crevice nozzle DN60	1.000	ST	
	Item text1: / 1.085-141.0				
1	6.959-130.0	Filter bags 5St.	1.000	ZSA	
2	6.903-858.0	Floor tool housing	1.000	ST	
	Item text1: / 1.085-121.0 bis up to jusq. 257087 / -131.0 bis up to jusq. 11019 / -281.0 bis up to jusq. 11671 / -291.0 bis up to jusq. 10499 / -801.0 bis up to jusq. 11063				
7	6.959-163.0	Hose complete	1.000	ST	
	Item text1: / 1.085-121.0 bis up to jusq. 257087 / -131.0 bis up to jusq. 11019 / -281.0 bis up to jusq. 11671 / -291.0 bis up to jusq. 10499				
3	6.903-860.0	Insert for carpet	1.000	ST	
4	6.903-861.0	Mixing insert	1.000	ST	
12	6.903-872.0	Spacer	1.000	ST	
	Item text1: / 1.085-801.0 bis up to jusq. 111063				
13	9.012-866.0	Suction hose DN35 3,5m	1.000	ST	/3,5m
	Item text1: /9.011-705.0				
14	6.901-016.0	Suction hose DN60-2 M	1.000	ST	
	Item text1: / 1.085-141.0				
13	2.863-151.0	Suction hose NW 35	1.000	ST	1,7m
9	6.959-172.0	Suction tube DN35	2.000	ST	
	Item text1: / 1.085-121.0 ab from a 257088 / -131.0 ab from a 11020 / -281.0 ab from a 11672 / -291.0 ab from a 10500 / -601.0 / -801.0 / -803.0				
17	6.902-042.0	Suction tube DN 60	2.000	ST	
	Item text1: / 1.085-141.0				
5	6.902-049.0	Suction tube NW37	2.000	ST	
	Item text1: / 1.085-121.0 bis up to jusq. 257087 / -131.0 bis up to jusq. 11019 / -281.0 bis up to jusq. 11671 / -291.0 bis up to jusq. 10499				
8	6.905-998.0	Upholstery nozzle complete NW35	1.000	ST	
	Item text1: / 1.085-801.0				