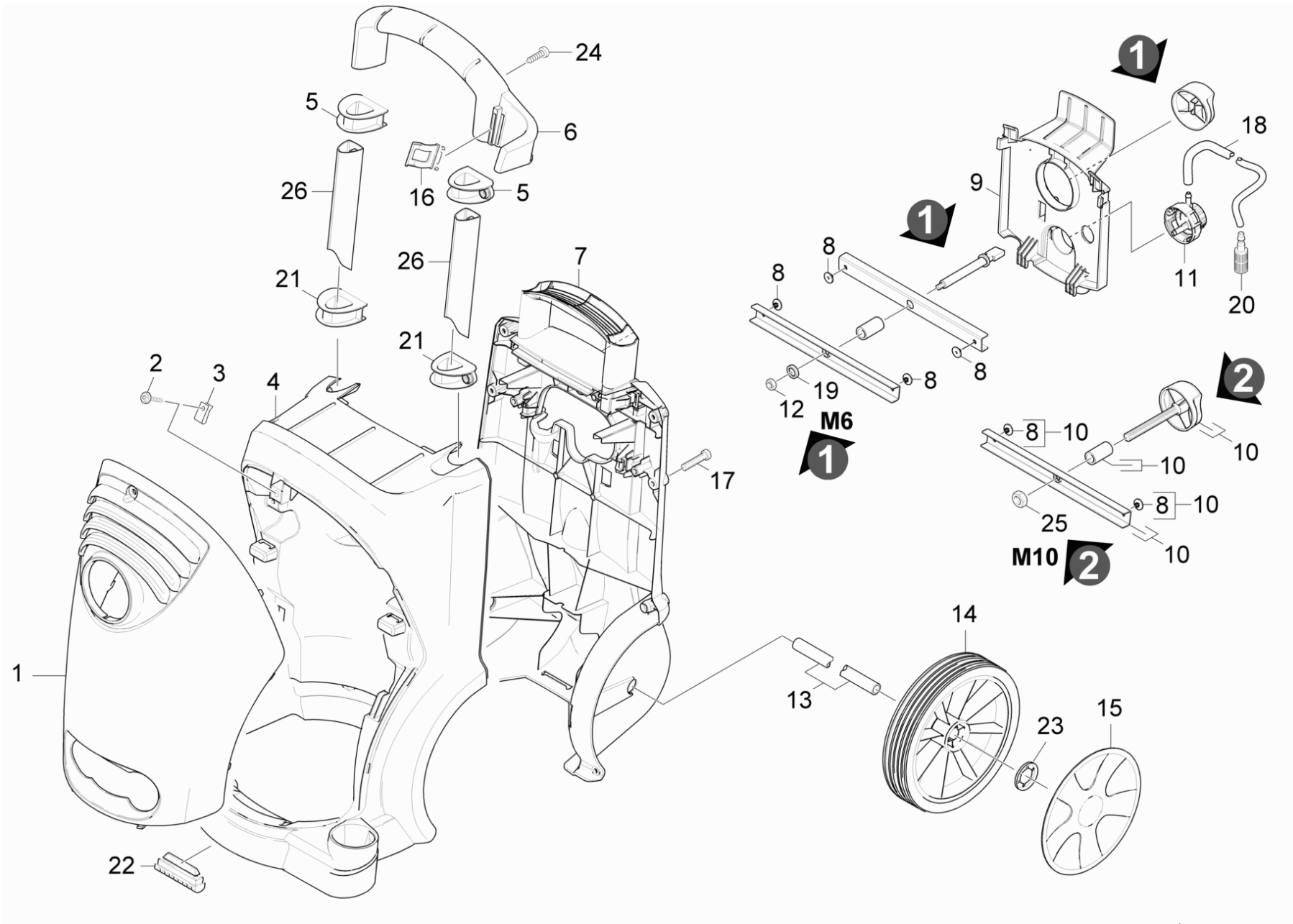


10 Housing

Professional \ High pressure cleaner cold water \ Electric motor \ HD 5/12 C *EU \ Spare parts list HD 5/12 C_6/13 C \ Housing



10 Housing

Professional \ High pressure cleaner cold water \ Electric motor \ HD 5/12 C *EU \ Spare parts list HD 5/12 C_6/13 C \ Housing



POS	Article no.	Description	Quantity	Unit	Remark	Foot note text
1	5.069-236.0	Device cover	1.000	ST		
	Item text1: 1.514-252.0					
1	5.069-089.0	Device cover	1.000	ST		
2	6.304-099.0	Saucer-head screw M 6x 18-4.8-R2R	1.000	ST		
3	6.310-053.0	Putting nut	1.000	ST		
4	5.050-206.3	Frame front part	1.000	ST		
5	5.032-554.0	Guide	2.000	ST		
6	5.321-721.0	Hand grip	1.000	ST		
7	5.050-207.0	Frame rear panel	1.000	ST		
8	6.315-086.0	Rivet	4.000	ST		
9	5.032-648.0	Covering cap	1.000	ST	HD 5/14;HD 5/15	
9	5.032-556.0	Covering cap	1.000	ST	HD 5/12;HD 5/15;HD 6/13;HD 1.8/13	
10	2.885-007.0	Spare part set Griff	1.000	ST		
11	4.063-778.0	Proportioning valve chemistry	1.000	ST		
12	7.311-061.0	Hexagon nut M6-LH -8-A2E ISO 4032	1.000	ST	(M6)	
13	5.105-399.0	Axle	1.000	ST		
14	6.435-662.0	Wheel D200	2.000	ST		
15	6.435-725.0	Wheel cap black	2.000	ST		
	Item text1: 1.514-252.0					
15	4.515-103.0	Spare parts set wheel cap	1.000	ST		SET OF 2 PIECES
16	5.044-216.0	Holder	1.000	ST		
17	7.303-108.0	Screw 5x20 -10.9-R2R (In6Rd)	10.000	ST		
18	6.388-216.0	Hose DN 5	1.000	M		TO ORDER AS CUT GOODS
19	7.312-260.0	Washer 6 -100HV-A3E ISO 7094	1.000	ST		
20	5.731-652.0	Filter with weight	1.000	ST		
21	5.032-555.0	Guide	2.000	ST		
22	5.057-062.0	Support	2.000	ST		
23	6.343-168.0	Lock washer	2.000	ST		
24	7.303-046.0	Screw M6x12 -St-R3R (In6Rd)	2.000	ST		
25	7.311-088.0	Hexagon nut M10-8-A2K EN 1664	1.000	ST	(M10)	
26	5.107-248.0	Bar shearing shackle	2.000	ST		