

Spare parts list

(1.699-915.0) HDS 12/14 ST ECO*EU-I

Table of contents

HDS 12/14 ST ECO*EU-I (1.699-915.0)	3
25 Documentation HDS	4
7 Spare parts list HDS 12/14, 9/14 ST (5.970-429.0)	5
10 Individual parts	6
20 Pump set	9
21 Piston	10
100 Pump set (2.883-302.0)	12
22 Suction side	13
16 Pressure switch (6.630-050.0)	15
23 Delivery side	16
24 Pressure switch	18
Pressure switch (6.630-111.0)	20
30 Motor	21
40 Blower	24
50 Fuel pump	27
60 Electric control box	29
70 Flow heater	33
71 Burner cover	34
7 Conversion kit ignition electrode (2.638-974.0)	37
20 Ignition cable complete (4.821-072.0)	39
21 Conversion kit ignition electrode (2.638-974.0)	41
72 Boiler	43
1 Bottom pressure boiler (4.655-044.0)	46
1 Bottom pressure boiler (4.655-048.0)	48
8 Outer covering (4.652-079.0)	50
80 Float chest	52
90 Safety system	55
100 Control panel	57
101 Control panel	58
102 Pilot lamp	60

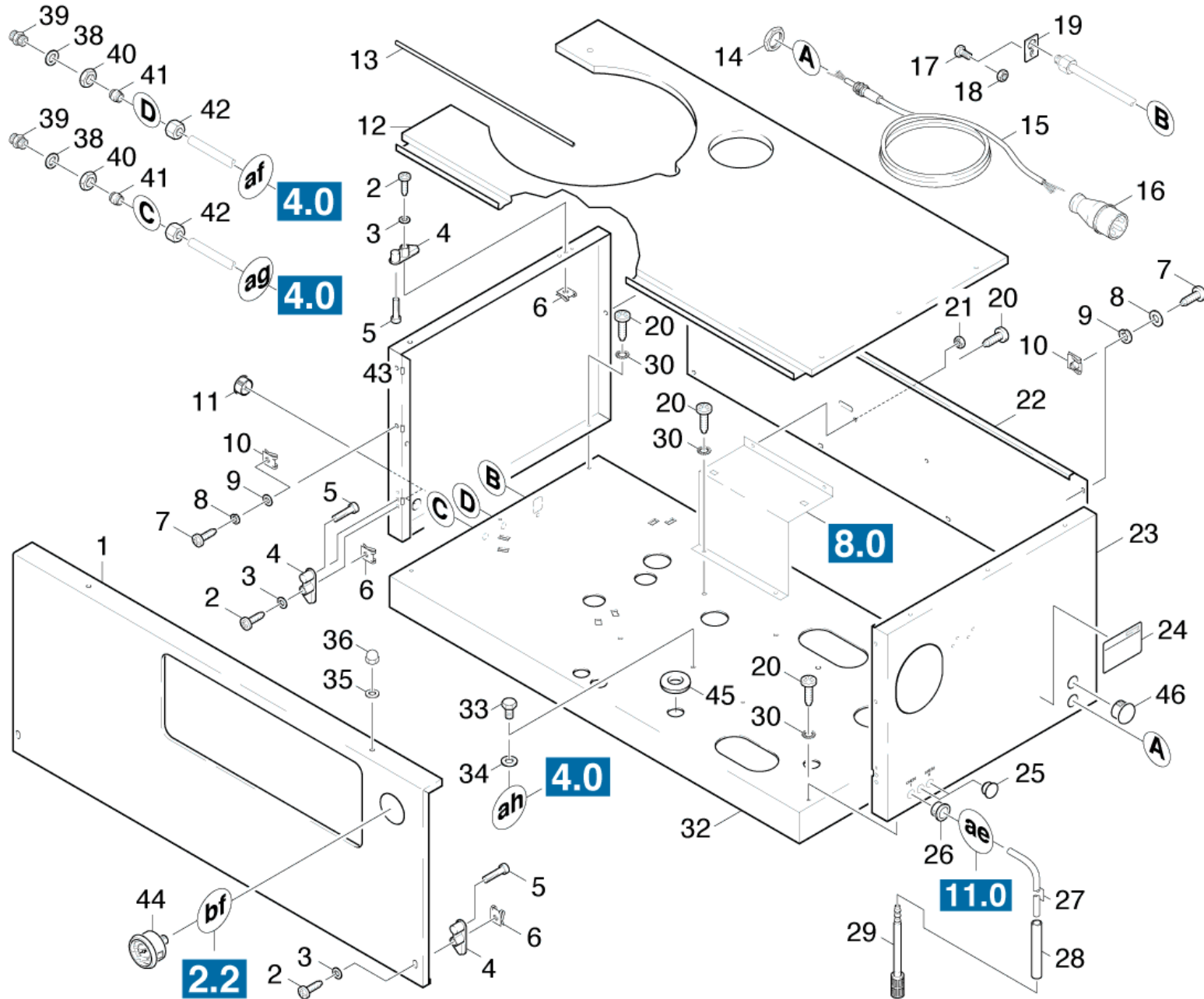
POS	Description	Quantity	Unit
25	Documentation HDS Item text2: 16999110	1.000	ST

25 Documentation HDS

POS	Article no.	Description	Quantity	Unit
7	5.970-429.0	Spare parts list HDS 12/14, 9/14 ST	1.000	ST

7 Spare parts list HDS 12/14, 9/14 ST (5.970-429.0)

POS	Description	Quantity	Unit
40	Blower	1.000	ST
100	Control panel	1.000	ST
60	Electric control box	1.000	ST
80	Float chest	1.000	ST
70	Flow heater	1.000	ST
50	Fuel pump	1.000	ST
10	Individual parts	1.000	ST
30	Motor	1.000	ST
20	Pump set	1.000	ST
90	Safety system	1.000	ST



10 Individual parts

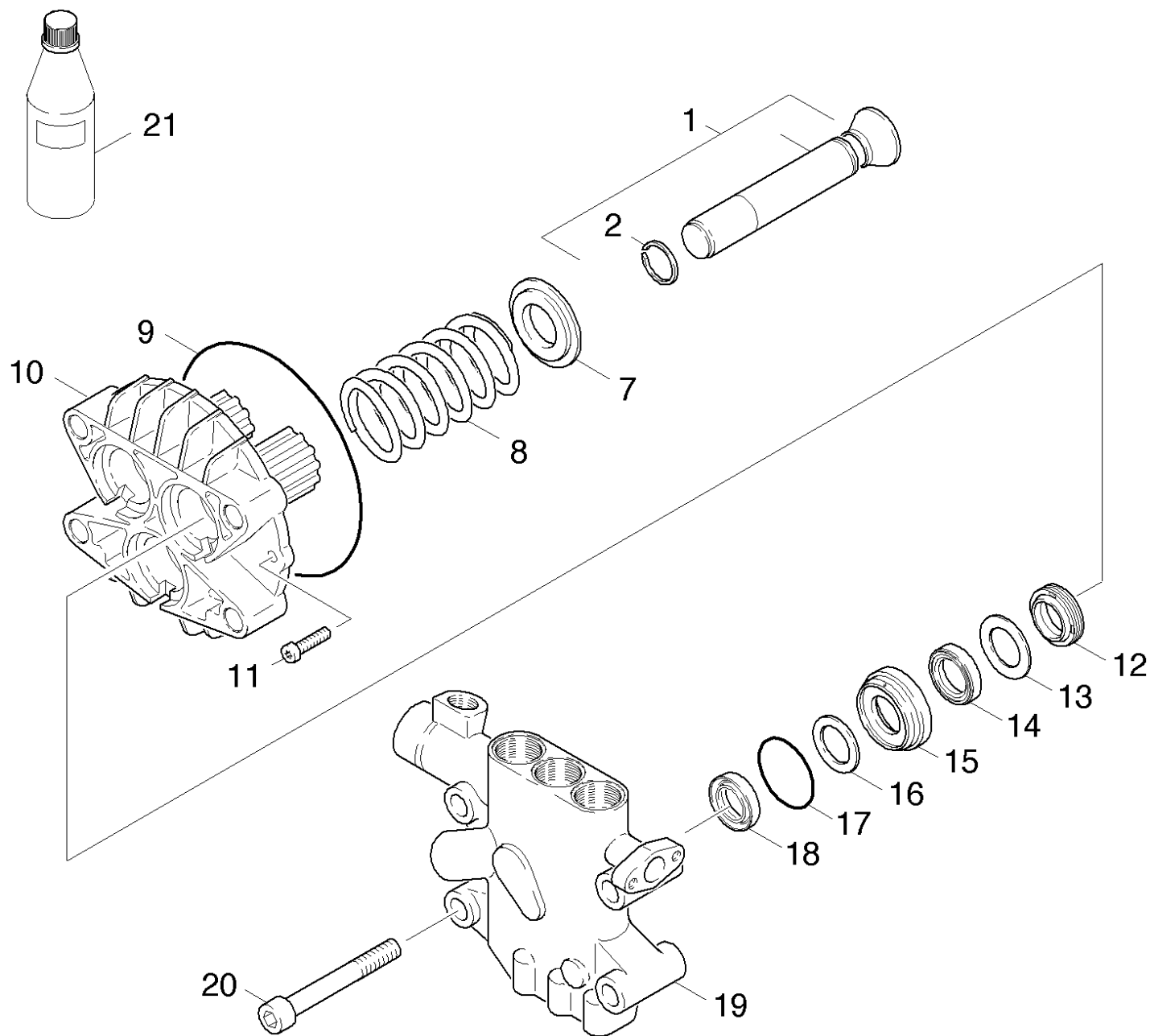
POS	Article no.	Description	Quantity	Unit
32	4.050-532.0	Base frame	1.000	ST
15	4.822-147.0	Cable	1.000	ST
25	6.368-099.0	Cap	2.000	ST
11	6.368-079.0	Cap	2.000	ST
36	7.311-380.0	Cap nut M6 -6-A2E DIN 1587	2.000	ST
41	6.386-160.0	Cutting ring D 6-L/S	2.000	ST
39	5.403-094.0	Double connection	2.000	ST
29	6.414-136.0	Filter	1.000	ST
17	7.304-382.0	Hexagonal head screw M 6x12-8.8-A2E ISO	4.000	ST
21	7.311-421.0	Hexagon nut M 5-04-A2E DIN 985	2.000	ST
18	7.311-425.0	Hexagon nut M6 -04-A2E DIN 985	3.000	ST
40	7.311-104.0	Hexagon nut M12x1,5 -04-A2E ISO 8675	2.000	ST
27	6.388-194.0	Hose DN 7	1.000	M
14	6.641-484.0	Locknut PG16	1.000	ST
5	6.303-122.0	M4 .2X13 DIN 7981 TORX T15 PAN HD HI/LO	4.000	ST
1	5.065-653.0	Panel	1.000	ST
12	5.065-282.0	Panel	1.000	ST
16	6.646-030.0	Plug CEE ,16A,5p,IP44	1.000	ST
	Item text1: / 1.698-915.0			
16	6.646-044.0	Plug CEE-32 A	1.000	ST
	Item text1: / 1.699-916.0 /-917 1.698-916.0			
16	6.646-356.0	Plug CEE-32A	1.000	ST
	Item text1: 1.699-915.0			
44	6.421-170.0	Pressure gauge 0-315 BAR	1.000	ST
46	6.368-028.0	Protecting cap 26,5	1.000	ST
13	5.394-164.0	Protection part	3.000	ST
24	5.382-394.0	Rating plate 100X60,KÄR.,MADE IN GERMANY	1.000	ST
22	5.065-651.0	Rear panel	1.000	ST
20	7.303-038.0	Screw M5x12 -St-P2R (In6Rd)	14.000	ST
33	6.303-035.0	Screw M8x12-ST-A2E DIN 7500-1	2.000	ST
7	7.303-076.0	Sheet metal screw ST4,8X13 -St-R2R (In6	6.000	ST
2	7.303-080.0	Sheet metal screw ST4,8X32-ST-P2R-F ISO 14585	4.000	ST
43	5.065-652.0	Side panel	1.000	ST

10 Individual parts

POS	Article no.	Description	Quantity	Unit
23	5.065-654.0	Side panel	1.000	ST
10	6.310-121.0	Speed nut	6.000	ST
6	6.310-034.0	Speed nut	4.000	ST
8	7.313-016.0	Spring washer B 5-1.4310 DIN 127	6.000	ST
19	7.777-999.0	Stockpiling discontinued	1.000	ST
4	5.057-026.0	Support	4.000	ST
30	7.312-172.0	Toothed lock washer A5,3-FSt-A3E DIN 67	14.000	ST
34	7.312-159.0	Toothed lock washer A8,4-FST-PH DIN 679	5.000	ST
28	5.025-747.0	Tube	1.000	ST
42	6.386-346.0	Union nut A 6-L	2.000	ST
38	5.115-239.0	Washer	2.000	ST
9	7.312-052.0	Washer 5 -A2 ISO 7089	6.000	ST
3	7.312-278.0	Washer 5-200HV-A2E ISO7093-1	4.000	ST
35	7.312-003.0	Washer 6 -200HV-A3E ISO 7089	2.000	ST
26	6.641-494.0	Wire protecting sleeve	1.000	ST
45	6.641-404.0	Wire protecting sleeve	1.000	ST

20 Pump set

POS	Description	Quantity	Unit
23	Delivery side	1.000	ST
21	Piston	1.000	ST
24	Pressure switch	1.000	ST
22	Suction side	1.000	ST

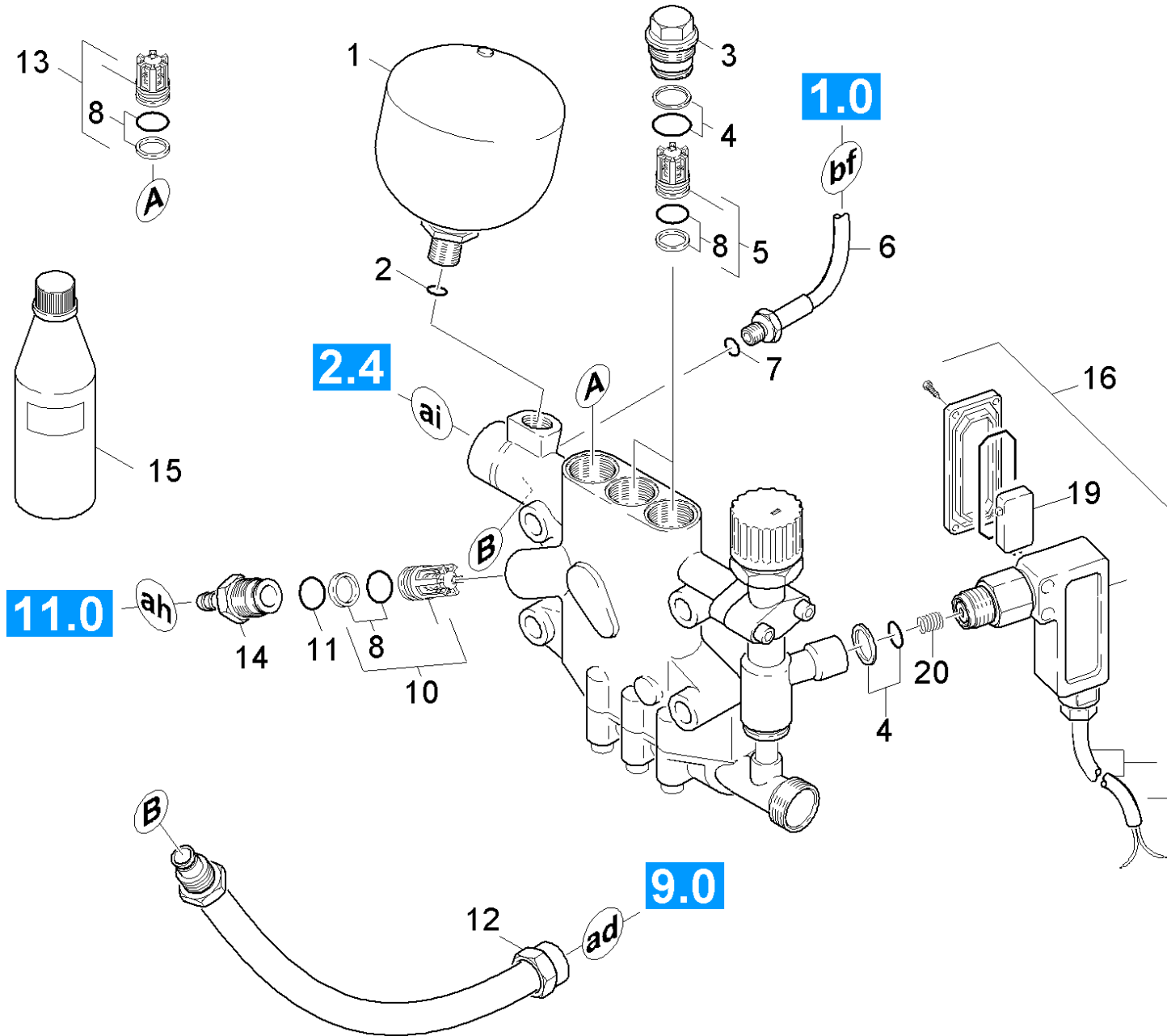


21 Piston

POS	Article no.	Description	Quantity	Unit
15	5.112-414.3	Bush	3.000	ST
14	6.365-056.0	Compact seal 22X32X6	3.000	ST
19	5.550-172.0	Cylinder head	1.000	ST
20	7.306-155.0	Cylinder head screw M12x100 -8.8-A3E IS	4.000	ST
21	6.288-016.0	Gear oil 1L	1.000	ST
18	6.365-055.0	Grooved ring 22x30x5	3.000	ST
12	6.365-059.0	Grooved ring 22X30X6/8	3.000	ST
8	5.332-281.0	Helical spring	3.000	ST
10	5.060-397.3	Housing	1.000	ST
17	6.362-092.0	O-Ring seal 36,0 X 2,0-NBR 70	3.000	ST
9	6.362-796.0	O-Ring seal 107,62X 2,62	1.000	ST
1	4.553-283.0	Piston complete only for replacement	3.000	ST
100	2.883-302.0	Pump set	1.000	ST
11	7.306-105.0	Screw M6x30 -8.8-R3R (In6Rd)	2.000	ST
2	6.343-142.0	Snap ring WR 22	3.000	ST
13	5.115-520.0	Washer	3.000	ST
7	5.115-522.0	Washer	3.000	ST
16	5.115-521.0	Washer	3.000	ST

100 Pump set (2.883-302.0)

POS	Article no.	Description	Quantity	Unit
150	6.365-056.0	Compact seal 22X32X6	3.000	ST
140	6.365-055.0	Grooved ring 22x30x5	3.000	ST
160	6.365-059.0	Grooved ring 22X30X6/8	3.000	ST
120	6.362-703.0	O-Ring seal 6,0x1,5-NBR 70	1.000	ST
130	6.362-797.0	O-Ring seal 9,0 X 2,0	1.000	ST
80	6.362-482.0	O-Ring seal 10 x 1,5-NBR 70	1.000	ST
70	6.362-481.0	O-Ring seal 14,0 x 2,0 NBR 80	1.000	ST
50	6.362-153.0	O-Ring seal 15,3 X 2,4-NBR 70	2.000	ST
110	6.362-547.0	O-Ring seal 20,0x1,5-NBR 70	1.000	ST
90	6.363-607.0	O-Ring seal 34,65 x 1,78 -NBR70	3.000	ST
100	6.362-500.0	O-Ring seal complete /1ST.-R.	4.000	ST
60	6.362-422.0	O-Ring seal complete 1ST.-R.	1.000	ST
10	2.884-906.0	TRIPLE VALVE	2.000	ST
20	2.884-903.0	Valve (2 Stück)	1.000	ST
30	4.580-237.0	Valve complete	1.000	ST
40	5.115-521.0	Washer	3.000	ST

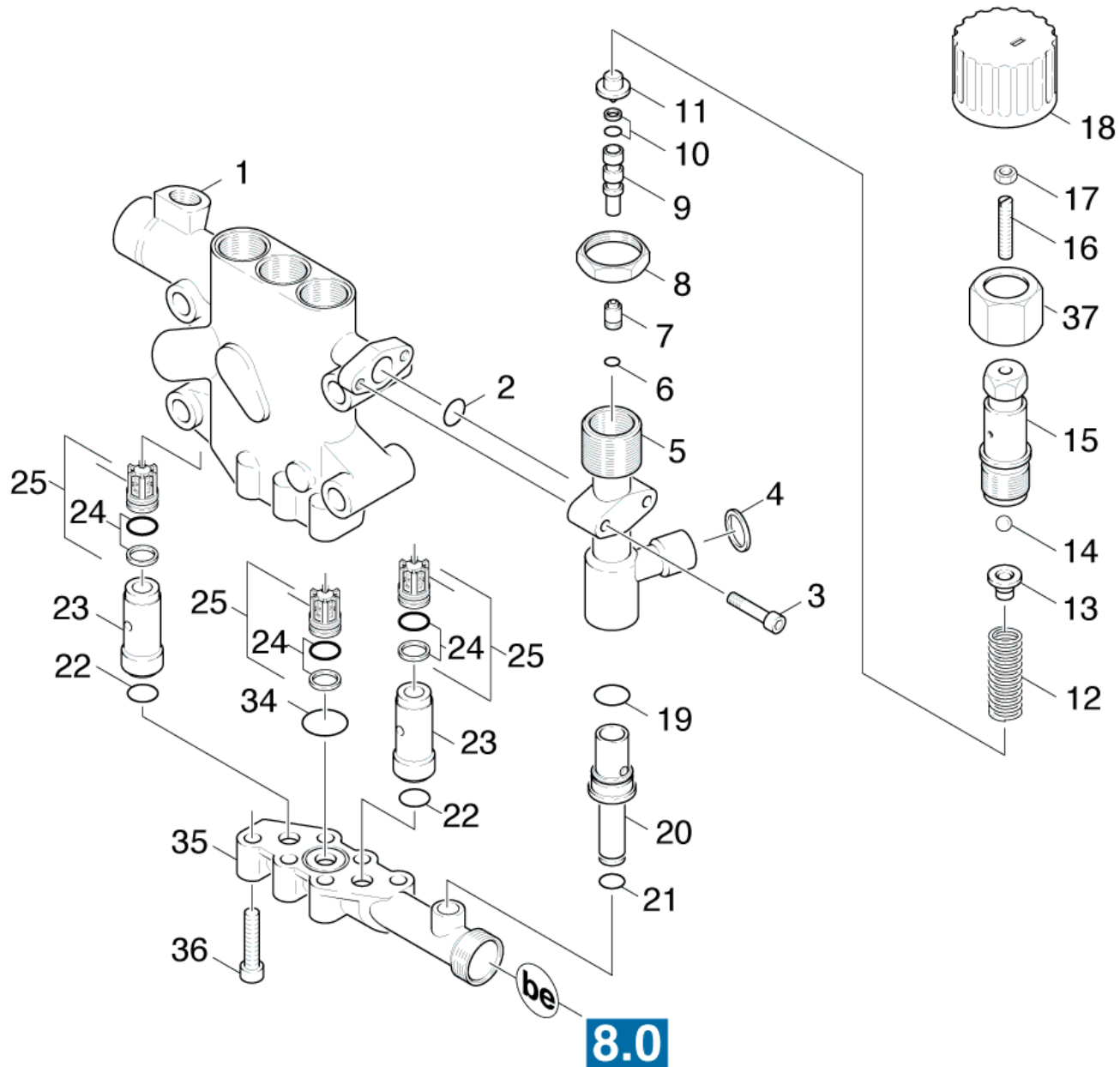


22 Suction side

POS	Article no.	Description	Quantity	Unit	Foot note text
12	6.391-596.0	High pressure hose DN 13	1.000	ST	
6	6.389-635.0	High pressure hose pressure gauge	1.000	ST	
14	5.443-336.0	Hose stem	1.000	ST	
7	7.362-003.0	Joint ring A10x13,5 -Cu DIN 7603	1.000	ST	
2	6.362-176.0	O-Ring seal 6,07x1,78	1.000	ST	
11	6.362-481.0	O-Ring seal 14,0 x 2,0 NBR 80	1.000	ST	
4	6.362-500.0	O-Ring seal complete /1ST.-R.	4.000	ST	
8	4.363-693.0	O-Ring seal kpl. -nur fuer Ersatz-	3.000	ST	
1	6.505-041.0	Pressure accumulator	1.000	ST	
	Item text1: / 1.698-915.0 / -916.0				
20	6.330-202.0	Pressure spring 8 bar	1.000	ST	
16	6.630-050.0	Pressure switch	1.000	ST	
1	6.505-040.0	Pulsation damper	1.000	ST	
	Item text1: / 1.699-915.0 / -916.0				
19	6.631-792.0	Switch	1.000	ST	
5	2.884-906.0	TRIPLE VALVE	2.000	ST	SET WITH 3 PIECES
10	2.884-903.0	Valve (2 Stück)	1.000	ST	SET OF 2 PIECES
13	4.580-237.0	Valve complete	1.000	ST	
3	5.583-125.0	Valve screw	3.000	ST	

16 Pressure switch (6.630-050.0)

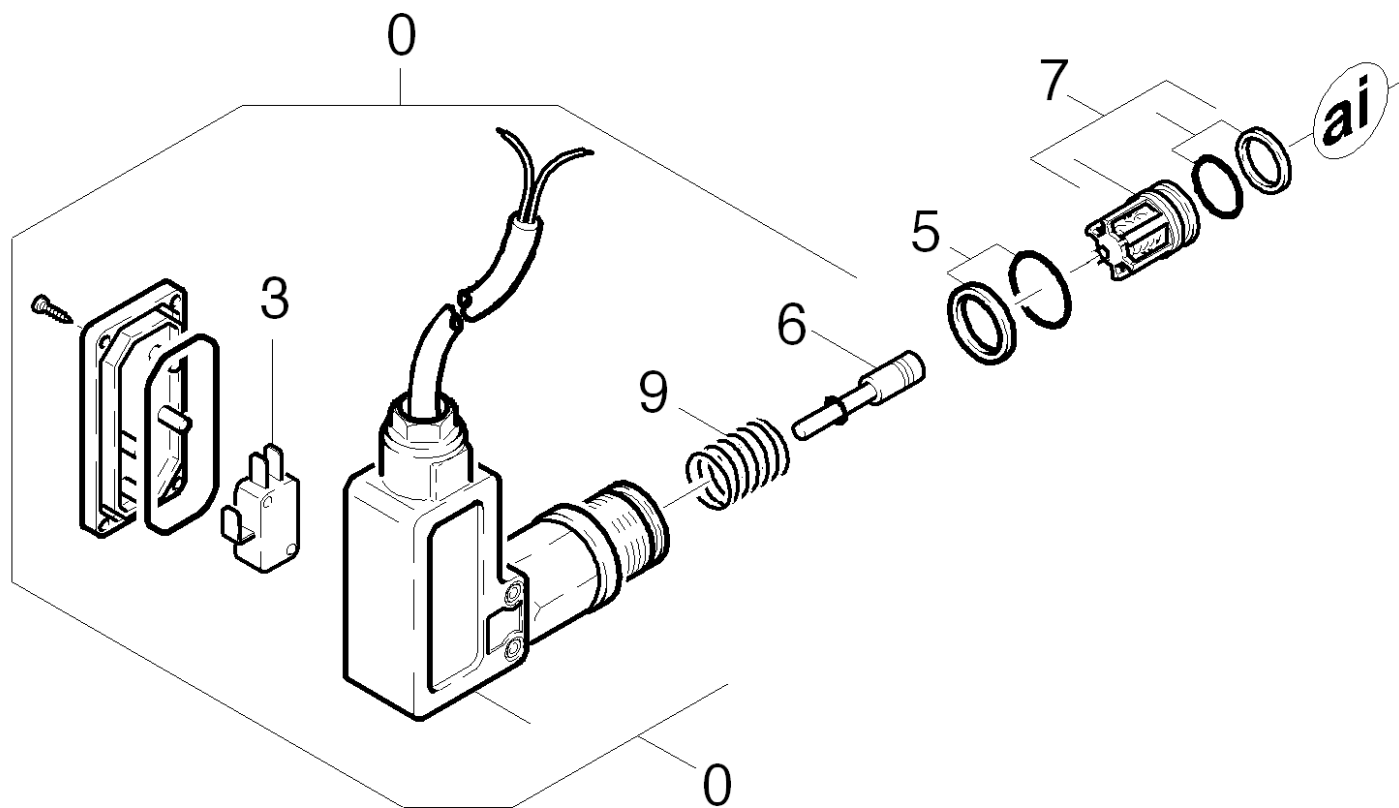
POS	Article no.	Description	Quantity	Unit
999	6.330-202.0	Pressure spring 8 bar	1.000	ST



23 Delivery side

POS	Article no.	Description	Quantity	Unit
20	5.402-529.0	Connection piece	1.000	ST
	Item text1: 1.698-915.0 / -916.0			
20	5.402-535.0	Connection piece	1.000	ST
	Item text1: 1.699-915.0 / -916.0			
1	5.550-172.0	Cylinder head	1.000	ST
36	7.306-044.0	Cylinder head screw M8x35 -8.8-A2E ISO4	6.000	ST
18	5.321-406.0	Handhold	1.000	ST
12	5.332-285.0	Helical spring	1.000	ST
15	5.304-061.0	Hexagonal head screw	1.000	ST
37	5.311-164.0	Hexagon nut	1.000	ST
17	7.311-003.0	Hexagon nut M6 -8-A2E ISO 4032	1.000	ST
8	5.311-165.0	Hexagon nut M30x1,5	1.000	ST
5	5.060-424.0	Housing	1.000	ST
4	2.880-154.0	O-Ring kit	1.000	ST
6	6.362-703.0	O-Ring seal 6,0x1,5-NBR 70	1.000	ST
21	6.362-797.0	O-Ring seal 9,0 X 2,0	1.000	ST
2	6.362-482.0	O-Ring seal 10 x 1,5-NBR 70	1.000	ST
22	6.362-153.0	O-Ring seal 15,3 X 2,4-NBR 70	2.000	ST
19	6.362-534.0	O-Ring seal 18,0 X 2,0-NBR 70	1.000	ST
34	6.362-547.0	O-Ring seal 20,0x1,5-NBR 70	1.000	ST
10	6.363-115.0	O-Ring seal complete 1ST.-R.	1.000	ST
24	4.363-693.0	O-Ring seal kpl. -nur fuer Ersatz-	3.000	ST
9	5.553-431.0	Piston	1.000	ST
3	7.306-105.0	Screw M6x30 -8.8-R3R (In6Rd)	2.000	ST
23	5.110-518.0	Sleeve	2.000	ST
14	7.401-918.0	Sphere 6 G300 -1.4301 DIN 5401	1.000	ST
16	7.307-418.0	Threaded pin M6x35 -St-45H-A2E ISO 4026	1.000	ST
25	2.884-906.0	TRIPLE VALVE	2.000	ST
13	5.582-103.0	Valve disc	1.000	ST
35	5.587-141.0	Valve housing	1.000	ST
11	5.584-077.0	Valve pin	1.000	ST
7	5.581-143.0	Valve seat	1.000	ST

2.2

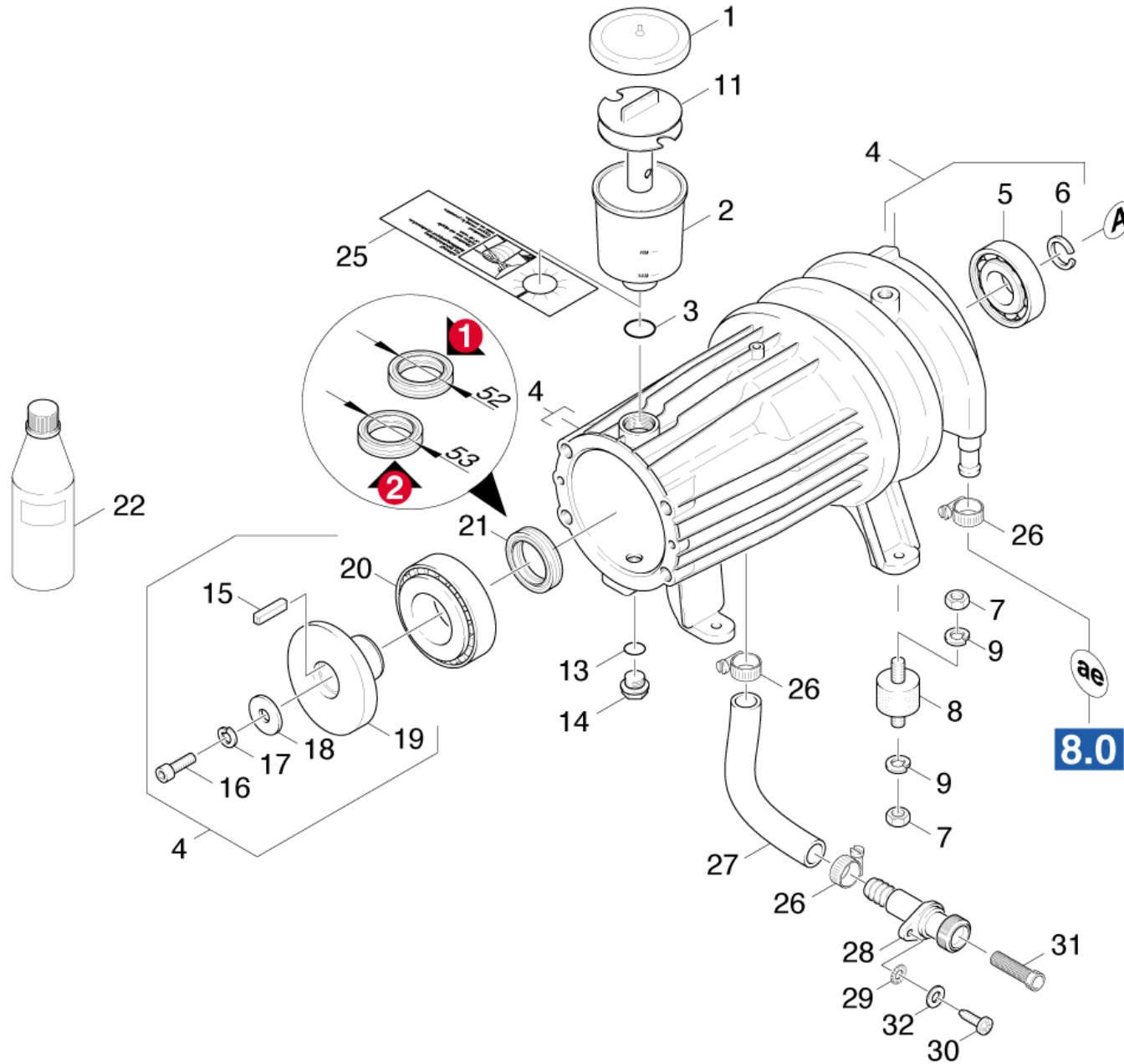


24 Pressure switch

POS	Article no.	Description	Quantity	Unit	Foot note text
5	6.362-500.0	O-Ring seal complete /1ST.-R.	1.000	ST	
6	6.630-038.0	Piston complete	1.000	ST	
9	6.330-204.0	Pressure spring 30 bar	1.000	ST	
0	6.630-111.0	Pressure switch	1.000	ST	
3	6.631-792.0	Switch	1.000	ST	
7	2.884-903.0	Valve (2 Stück)	1.000	ST	SET OF 2 PIECES

Pressure switch (6.630-111.0)

POS	Article no.	Description	Quantity	Unit
999	6.330-204.0	Pressure spring 30 bar	1.000	ST

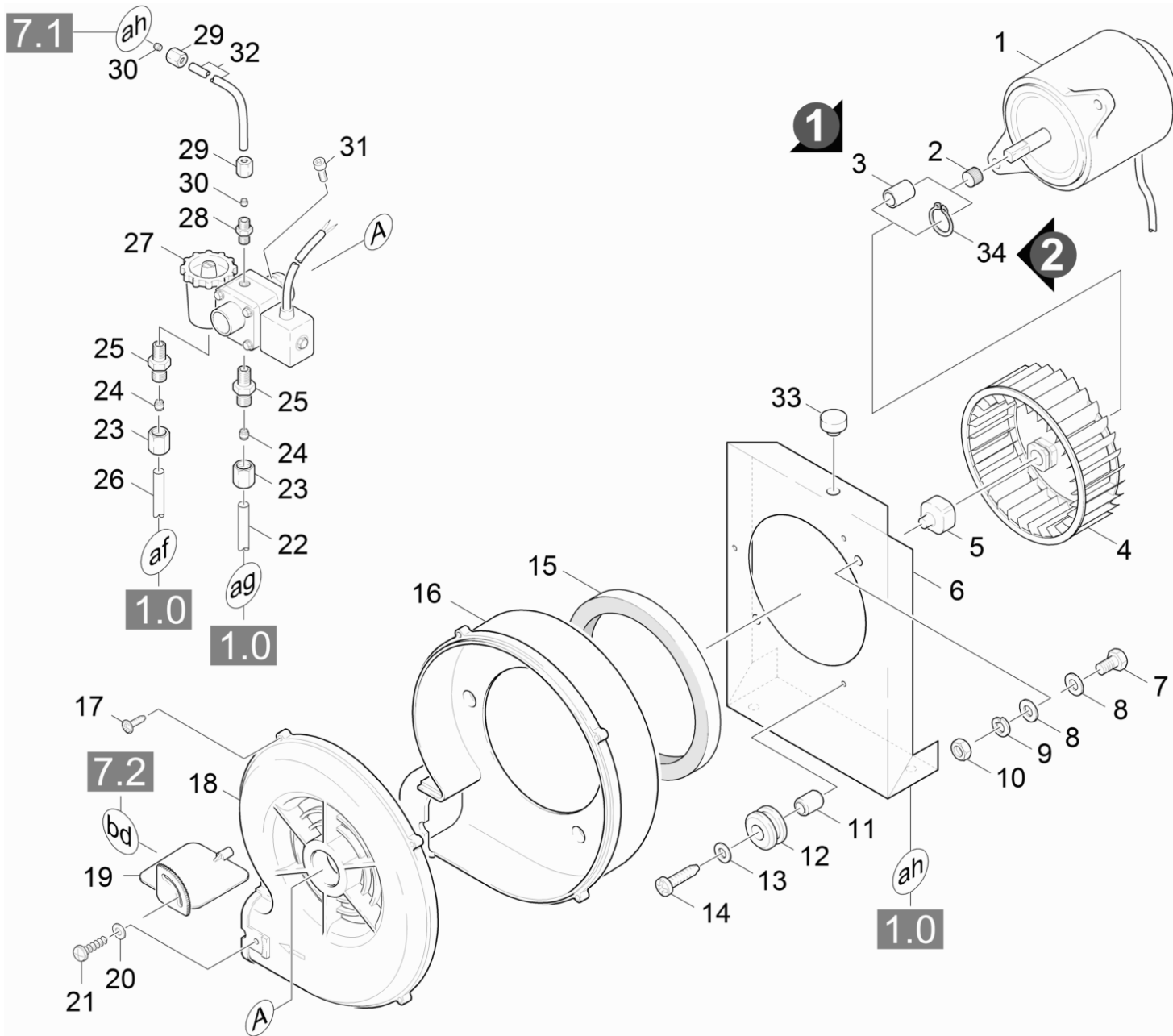


30 Motor

POS	Article no.	Description	Quantity	Unit	Remark
5	6.401-253.0	Ball bearing 6305-2Z	1.000	ST	
2	5.070-048.0	Box	1.000	ST	
1	5.063-189.0	Cover	1.000	ST	
16	7.306-041.0	Cylinder head screw M8x20 -8.8-A2E ISO	1.000	ST	
22	6.288-016.0	Gear oil 1L	1.000	ST	
7	7.311-004.0	Hexagon nut M8 -8-A3E ISO 4032	8.000	ST	
26	6.388-547.0	Hose clip	3.000	ST	
25	5.386-456.0	Label	1.000	ST	
6	7.343-008.0	Locking ring 25x1,2-St-vz DIN 471	1.000	ST	
28	5.427-123.0	Manifold	1.000	ST	
4	4.623-205.0	Motor complete	1.000	ST	
	Item text1: / 1.698-915.0 / -916.0				
4	4.623-211.0	Motor complete	1.000	ST	400V
	Item text1: / 1.699-915.0 / -916.0				
11	5.030-389.0	Moulded part	1.000	ST	
13	6.363-273.0	O-Ring seal 11,0 x 2,0	1.000	ST	
3	6.362-168.0	O-Ring seal 22,3 X 2,4-NBR 70	1.000	ST	
15	7.318-035.0	Parallel key 8x7x25 -C45K DIN 6885-1	1.000	ST	
27	5.442-594.0	Piece of tube	1.000	ST	
21	7.367-009.0	Radial shaft seal ring A35x52x7-NBR DIN	1.000	ST	VERSION 1
21	7.367-005.0	Radial shaft seal ring A35x53x7-NBR DIN	1.000	ST	VERSION 2
8	6.339-060.0	Rubber buffer M8	4.000	ST	
30	7.303-048.0	Screw M6x20 -St-R3R (In6Rd)	1.000	ST	
14	5.411-100.0	Screw plug	1.000	ST	
9	7.313-004.0	Spring washer B 8-FSt-A3E DIN 127	8.000	ST	
31	6.414-282.0	Strainer	1.000	ST	
20	6.401-225.3	Taper roller bearing 41	1.000	ST	
29	7.312-167.0	Toothed lock washer A6,4-FSt-A3E DIN 67	1.000	ST	
17	7.312-159.0	Toothed lock washer A8,4-FST-PH DIN 679	1.000	ST	
18	5.115-565.0	Washer	1.000	ST	
32	7.312-003.0	Washer 6 -200HV-A3E ISO 7089	1.000	ST	
19	5.120-235.3	Wobble plate	1.000	ST	
	Item text1: / 1.699-915.0 / -916.0				

30 Motor

POS	Article no.	Description	Quantity	Unit	Remark
19	4.120-241.0	Wobble plate -nur für Ersatz-	1.000	ST	
	Item text1: / 1.698-915.0 / -916.0				

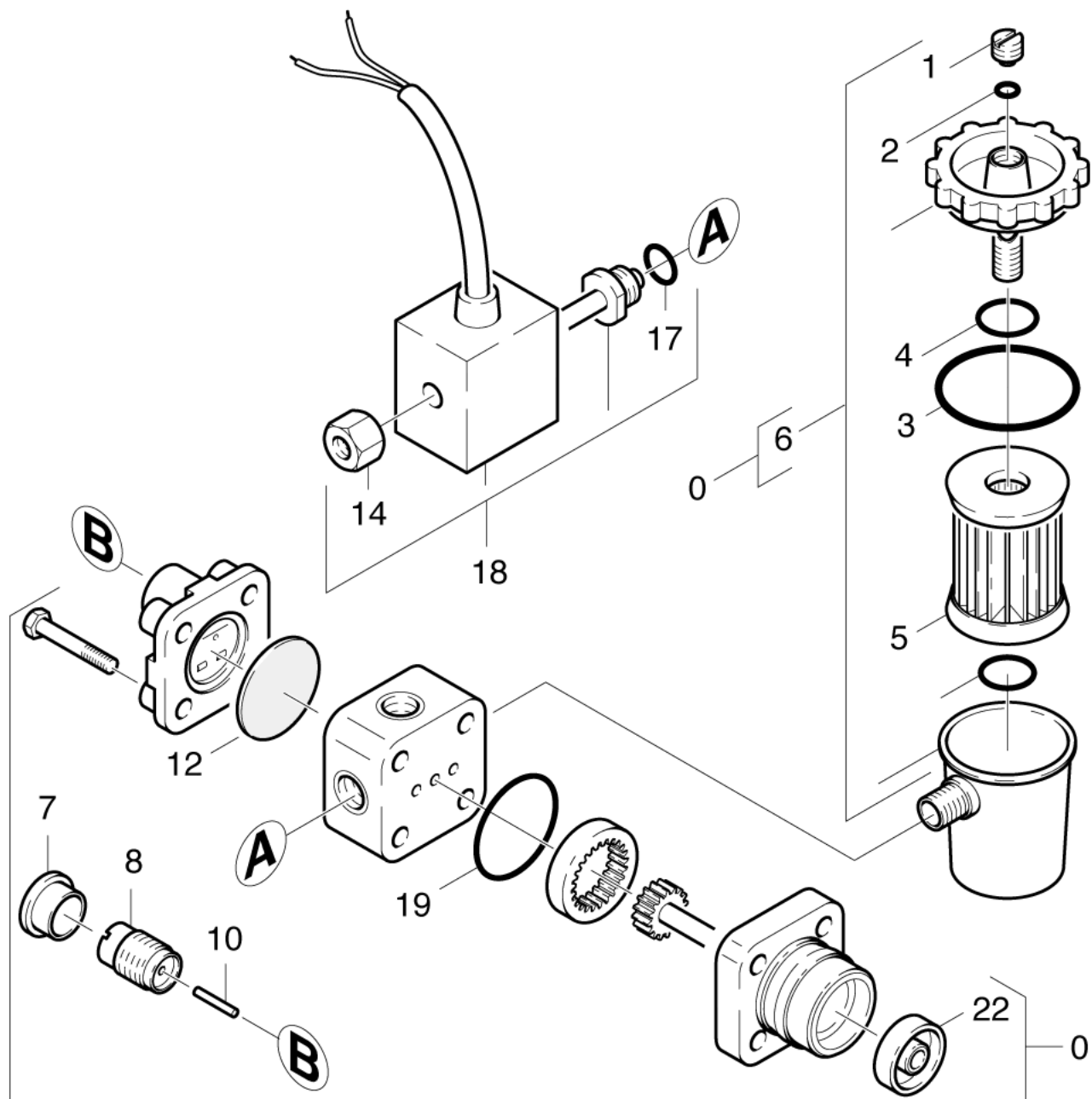


40 Blower

POS	Article no.	Description	Quantity	Unit
19	5.606-002.0	Air flap	1.000	ST
4	5.600-021.0	Blower wheel	1.000	ST
32	5.423-279.0	Conduit BRENNSTOFFZULAUF	1.000	ST
26	5.423-277.0	Conduit left	1.000	ST
22	5.423-278.0	Conduit right	1.000	ST
25	6.386-181.0	Connection piece 6-L1/8NPT	2.000	ST
5	5.471-060.0	Coupling element	1.000	ST
18	5.063-274.0	Cover	1.000	ST
30	6.389-263.0	Cutting ring d.4	2.000	ST
24	6.386-160.0	Cutting ring D 6-L/S	2.000	ST
1	4.623-004.0	Electric motor for replacement	1.000	ST
27	6.472-960.0	Fuel feed pump	1.000	ST
7	7.304-399.0	Hexagonal head screw M 8x25-8.8-A2E ISO	2.000	ST
10	7.311-004.0	Hexagon nut M8 -8-A3E ISO 4032	2.000	ST
16	5.605-143.0	Housing	1.000	ST
15	6.286-391.0	Insulating	1.000	ST
34	7.343-036.0	Locking ring 14x1-FST-RF DIN 471	1.000	ST
33	6.339-022.0	Rubber buffer	1.000	ST
12	5.379-011.0	Rubber ring	3.000	ST
17	7.303-084.0	Screw 4x25 -10.9-R2R (K-In6Rd)	5.000	ST
14	6.303-320.0	Screw M 5x 20-St-R2R	3.000	ST
31	7.306-090.0	Screw M6x16 -8.8-P2R (In6Rd)	1.000	ST
28	6.389-261.0	Screw union	1.000	ST
21	7.303-077.0	Sheet metal screw ST4,8X16-ST-R2R (IN6R)	1.000	ST
11	5.110-306.0	Sleeve	3.000	ST
3	5.110-612.0	Sleeve	1.000	ST
9	7.313-004.0	Spring washer B 8-FSt-A3E DIN 127	2.000	ST
6	5.052-046.0	Stand	1.000	ST
2	6.343-166.0	Tolerance ring D14X8	1.000	ST
29	6.389-262.0	Union nut A 4-LL	2.000	ST
23	6.386-346.0	Union nut A 6-L	2.000	ST
13	7.312-264.0	Washer 5-100HV-A3E ISO 7094	3.000	ST
20	7.312-278.0	Washer 5-200HV-A2E ISO7093-1	1.000	ST

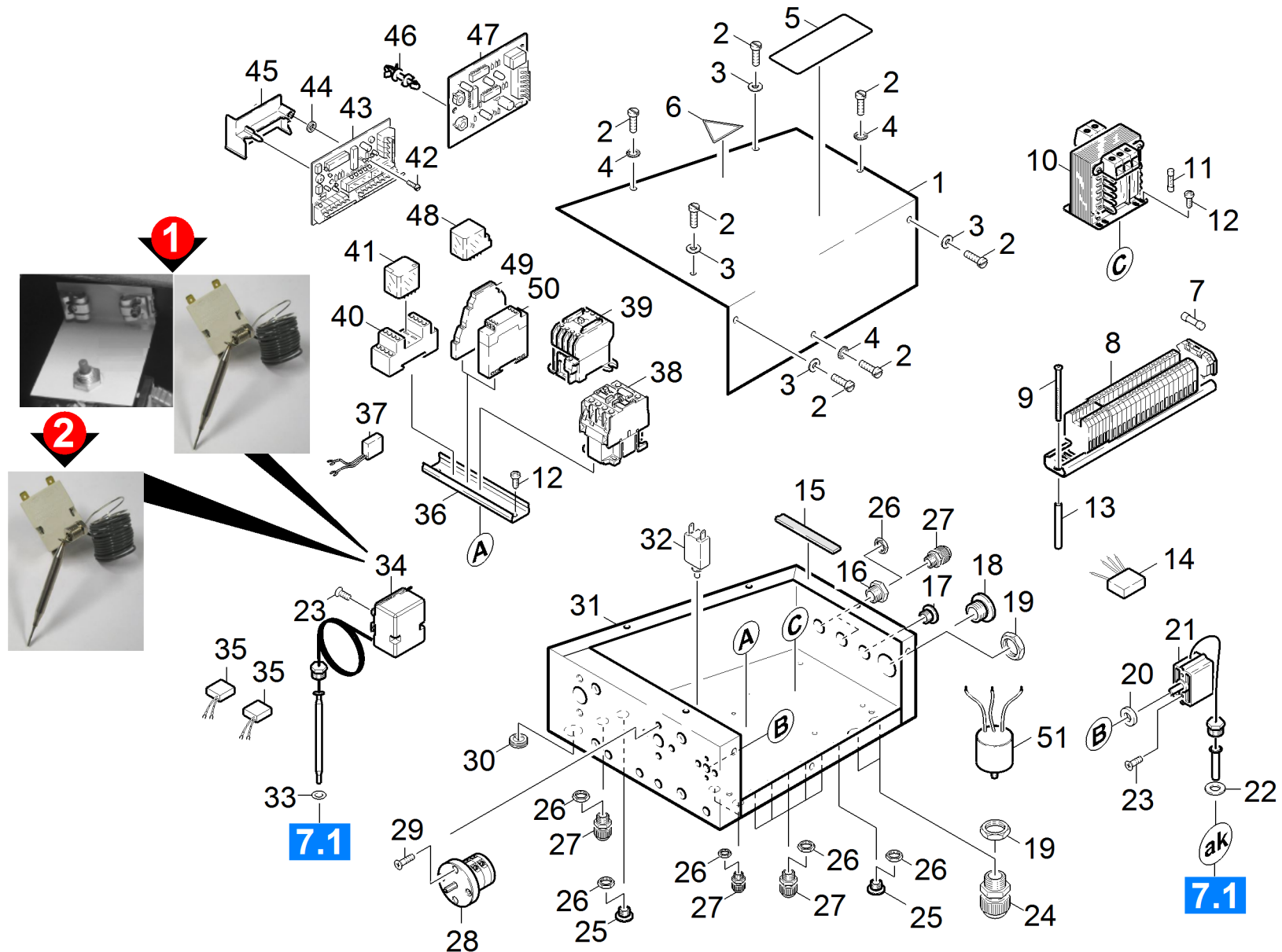
40 Blower

POS	Article no.	Description	Quantity	Unit
8	7.312-277.0	Washer 8-200HV-A2E ISO7093-1	4.000	ST



50 Fuel pump

POS	Article no.	Description	Quantity	Unit
12	6.472-128.0	Diaphragm	1.000	ST
5	6.472-113.0	Filter cartridge	1.000	ST
6	6.472-123.0	Filter housing complete	1.000	ST
8	6.472-109.0	Housing spring	1.000	ST
14	6.472-340.0	Knurled nut	1.000	ST
2	6.472-106.0	O-Ring seal 5,0 X 1,8	1.000	ST
4	6.472-112.0	O-Ring seal 10,0 x 2,4 NBR 70	1.000	ST
17	6.472-125.0	O-Ring seal 12,0 X 1,5	1.000	ST
19	6.472-120.0	O-Ring seal 28,5 X 1,6	1.000	ST
3	6.472-111.0	O-Ring seal 32,0 X 1,6	1.000	ST
10	6.472-108.0	Pin	1.000	ST
7	6.472-122.0	Protecting cap	1.000	ST
0	6.472-925.0	Pump oil burner only for replacement	1.000	ST
1	6.472-107.0	Screw ventilation	1.000	ST
22	6.472-105.0	Seal axle	1.000	ST
18	6.472-408.0	Solenoid valve complete	1.000	ST



60 Electric control box

POS	Article no.	Description	Quantity	Unit	Remark	Foot note text
35	6.641-802.0	Anti-interference element 24V	2.000	ST		
14	4.828-007.0	Anti-interference filter complete	1.000	ST		
40	6.633-260.0	Base	1.000	ST		
17	6.648-422.0	Blind plug grey M12X1,5	1.000	ST		
25	6.648-423.0	Blind plug grey M16X1,5	1.000	ST		
18	6.648-425.0	Blind plug grey M25x1,5	1.000	ST		
27	6.648-398.0	Cable gland black M12x1,5	14.000	ST		
24	6.648-401.0	Cable gland black M25X1,5	2.000	ST		
43	6.682-306.0	Circuit board burner	1.000	ST		
38	6.632-365.0	Contacto 24V AC	1.000	ST	24V AC	
10	6.622-021.0	Control transformer 40VA	1.000	ST		
23	7.305-033.0	Countersunk screw M4x6-A2-70 (IN6RD)	4.000	ST		
42	7.305-035.0	Countersunk screw M 4x10-A2-70-SCHW (IN	1.000	ST		
29	7.305-022.0	Countersunk screw M4x12 -4.8-A2E ISO 20	2.000	ST		
1	5.063-968.0	Cover	1.000	ST		
7	6.644-074.0	Fuse 10A	1.000	ST		
11	6.644-052.0	Fuse insert slow G-2,0A	1.000	ST		
51	6.661-092.0	Interference suppressor	1.000	ST		
	Item text1: 1.698-915, 1.699-915					
33	7.362-033.0	Joint ring A5,5x8 -Cu DIN 7603	1.000	ST		
6	5.386-007.0	Label	1.000	ST		
46	6.373-482.0	Locking hook	3.000	ST		
26	6.648-414.0	Locknut black M12	14.000	ST		
19	6.648-206.0	Locknut black M25	4.000	ST		
36	7.233-313.0	Mounting rail TH 35-7,5 -ST-ZE EN 60715	1.000	M		
39	6.633-481.0	Overload relay	1.000	ST		
	Item text1: /1.698-915.0/1.699-915.0					
39	6.633-478.0	Overload relay	1.000	ST		
	Item text1: /1.698-916.0					
48	6.633-481.0	Overload relay	1.000	ST		

60 Electric control box

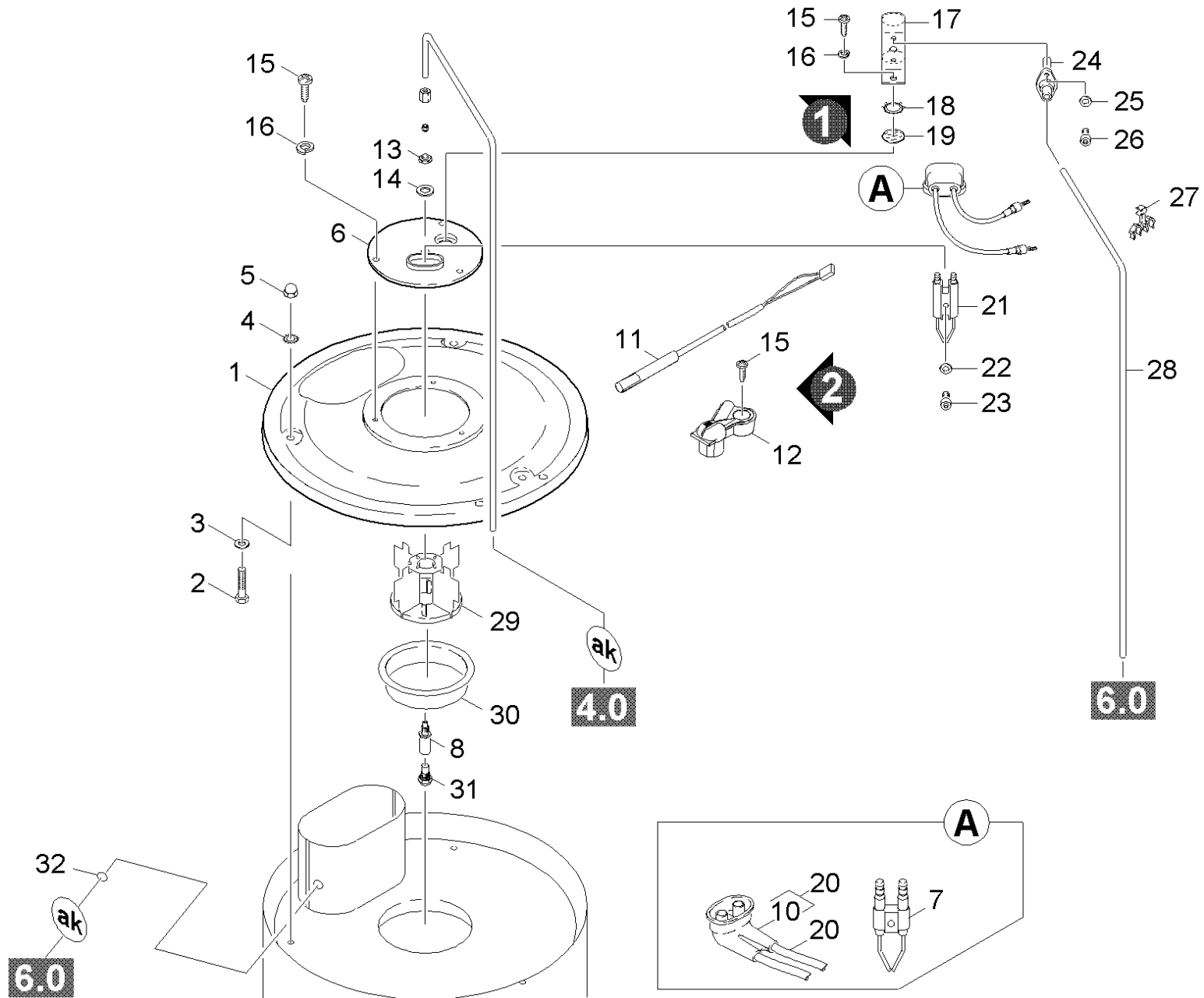
POS	Article no.	Description	Quantity	Unit	Remark	Foot note text
39	4.633-045.0	Overload relay -nur für Ersatz-	1.000	ST	23-32A	
	Item text1: /1.699-916.0					
38	6.632-334.0	Power contactor LC1 D32 B7	1.000	ST		
30	5.365-109.0	Profile gasket	1.000	ST		
16	6.648-455.0	Reduction M25x1,5-M12x1,5	1.000	ST		
49	6.633-665.0	Relay 1W 24VAC/DC 6mm	1.000	ST		
41	6.633-276.0	Relay 24V AC	1.000	ST		
37	6.632-351.0	Resistor	1.000	ST		
32	6.635-166.0	Safety switch 1,5A	1.000	ST	1,5 A	
32	6.635-007.0	Safety switch 1.2 A	1.000	ST	1,2 A	
34	2.882-000.0	Safety thermostat reversion kit	1.000	ST	6.686-535.0 + Blechhalter Set/Plate holder kit	VERSION 1
12	7.303-030.0	Screw M4x8 -St-P2R (In6Rd)	4.000	ST		
2	7.303-038.0	Screw M5x12 -St-P2R (In6Rd)	6.000	ST		
9	7.303-045.0	Screw M5x55 -St-ZNBHL (In6Rd)	2.000	ST		
15	6.273-042.0	Sealing tape 19x4	1.000	M		
31	5.049-651.0	Sheet metal component	1.000	ST		
44	7.777-999.0	Stockpiling discontinued	1.000	ST		
8	6.643-802.0	Strip terminal	1.000	ST		
45	5.057-043.0	Support	1.000	ST		
28	6.631-877.0	Switch	1.000	ST		
	Item text1: / 1.698-916.0 /1.699 -916.0					
28	6.631-081.0	Switch	1.000	ST		
	Item text1: / 1.698-915.0 / 1.699-915.0					
34	6.686-535.0	Temperature limiter	1.000	ST		VERSION 2
21	6.685-868.0	Thermostat	1.000	ST		
50	6.633-365.0	Time relay Multifunktion	1.000	ST		
47	6.631-538.0	Timer module	1.000	ST		
4	7.312-172.0	Toothed lock washer A5,3-FSt-A3E DIN 67	3.000	ST		
13	5.025-727.0	Tube	2.000	ST		
5	5.386-008.0	Warning sign	1.000	ST		
22	5.115-375.0	Washer	1.000	ST		
3	7.312-002.0	Washer 5-200HV-A3E ISO 7089	8.000	ST		

60 Electric control box

POS	Article no.	Description	Quantity	Unit	Remark	Foot note text
20	6.362-254.0	Washer 12X5X2,0	1.000	ST		

70 Flow heater

POS	Description	Quantity	Unit
72	Boiler	1.000	ST
71	Burner cover	1.000	ST

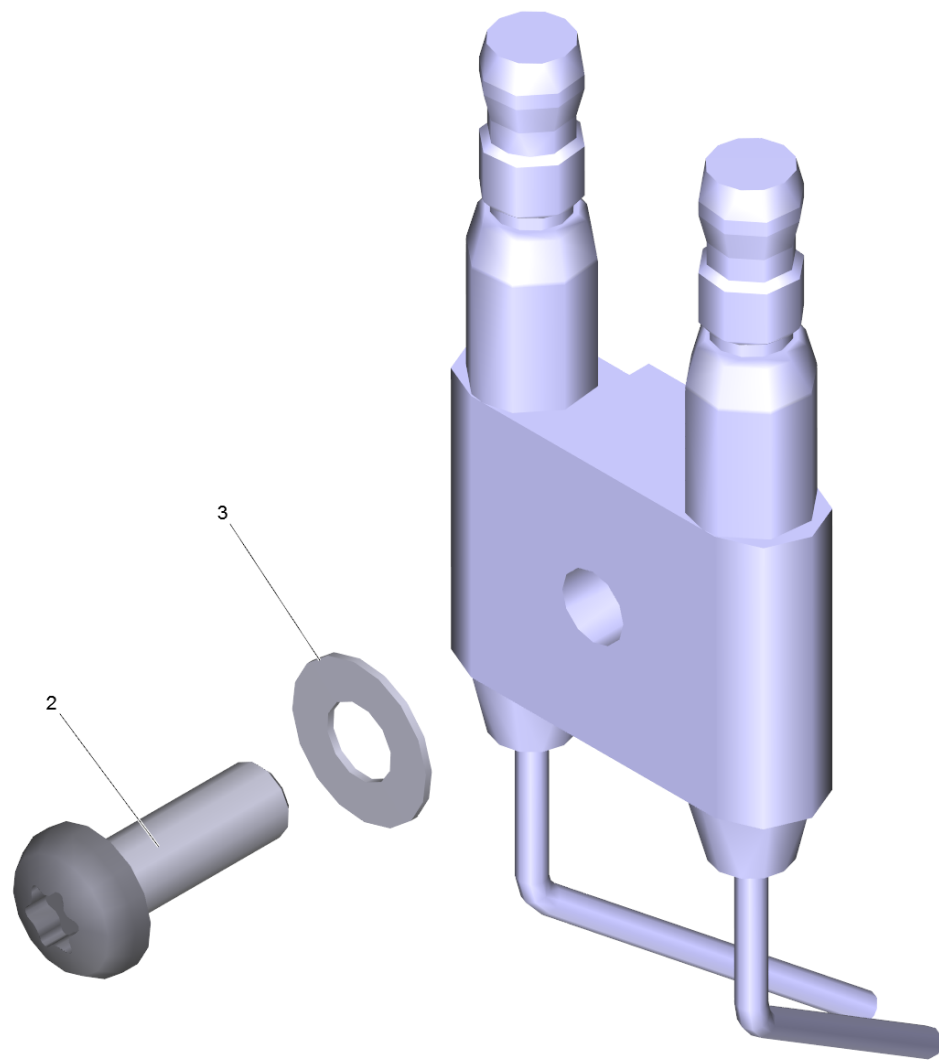


71 Burner cover

POS	Article no.	Description	Quantity	Unit
29	4.663-088.0	Baffle plate complete	1.000	ST
	Item text1: / 1.698-915.0 / -916.0			
29	4.663-122.0	Baffle plate complete	1.000	ST
	Item text1: / 1.699-915.0 / -916.0			
6	5.662-022.0	Burner cover	1.000	ST
30	5.664-229.0	Burner part SB-C 3000/4000 72KW	1.000	ST
	Item text1: / 1.699-915.0 / -916.0			
5	7.311-380.0	Cap nut M6 -6-A2E DIN 1587	3.000	ST
9	2.638-976.0	Conversion kit ignition cable	1.000	ST
21	2.638-974.0	Conversion kit ignition electrode	1.000	ST
7	2.638-974.0	Conversion kit ignition electrode	1.000	ST
28	6.642-041.0	Corrugated tube	1.000	M
1	5.654-066.0	Cover plate pressure boiler external	1.000	ST
	Item text1: / 1.698-915.0 / -916.0			
1	5.654-046.0	Cover pressure boiler	1.000	ST
	Item text1: / 1.699-915.0 / -916.0			
30	5.664-195.0	Flame tube	1.000	ST
	Item text1: / 1.698-915.0 / -916.0			
19	6.278-018.0	Glass pane	1.000	ST
13	7.311-101.0	Hexagon nut M10x1 -04-A2E ISO 8675	1.000	ST
27	6.647-527.0	Holder	2.000	ST
17	4.043-246.0	Holder	1.000	ST
12	5.034-982.0	Holder photocell	1.000	ST
20	4.821-072.0	Ignition cable complete	1.000	ST
32	7.362-033.0	Joint ring A5,5x8 -Cu DIN 7603	1.000	ST
3	6.343-119.0	Lock washer	3.000	ST
31	6.415-641.0	Nozzle	1.000	ST
	Item text1: / 1.698-915.0 / -916.0			
31	6.415-530.0	Nozzle 60GRAD H	1.000	ST
	Item text1: / 1.699-915.0 / -916.0			
8	5.667-055.0	Nozzle holder	1.000	ST
24	6.664-030.0	Probe	1.000	ST
11	6.664-053.0	Probe	1.000	ST

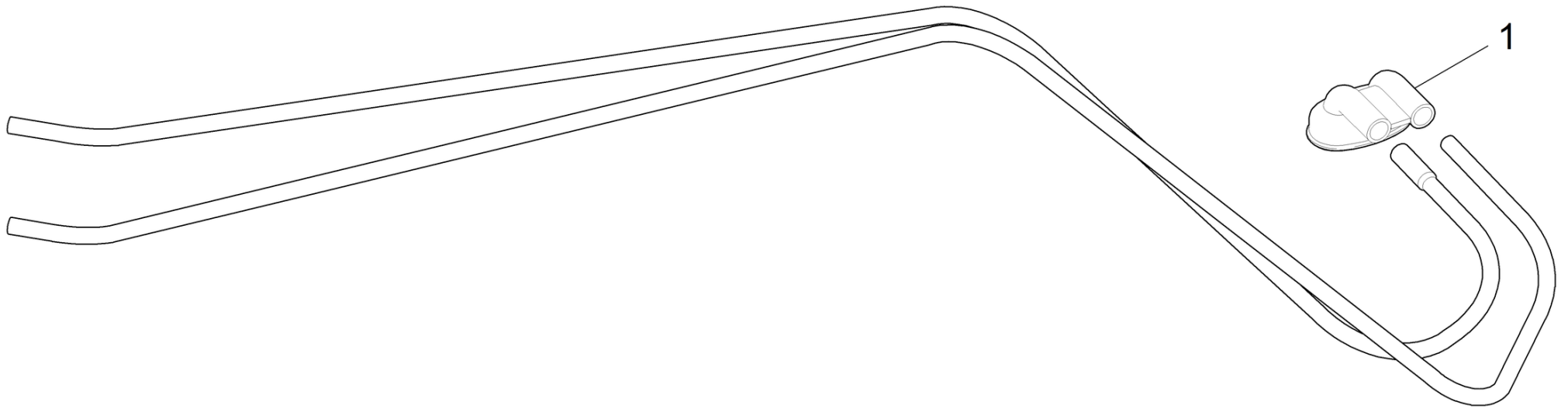
71 Burner cover

POS	Article no.	Description	Quantity	Unit
10	5.394-470.0	Protecting cap	1.000	ST
26	7.303-032.0	Screw M4x12 -St-R2R (In6Rd)	2.000	ST
23	7.306-217.0	Screw M5x14 -8.8-R2R (In6Rd)	1.000	ST
15	7.303-039.0	Screw M5x16 -St-P2R (In6Rd)	3.000	ST
2	7.306-105.0	Screw M6x30 -8.8-R3R (In6Rd)	3.000	ST
18	6.343-165.0	Serrated ring	1.000	ST
16	7.313-016.0	Spring washer B 5-1.4310 DIN 127	3.000	ST
22	7.312-304.0	Spring washer B 5-FST-A2E DIN 137	1.000	ST
14	7.312-302.0	Spring washer B10-FST-A2E DIN 137	1.000	ST
4	7.312-167.0	Toothed lock washer A6,4-FSt-A3E DIN 67	3.000	ST
25	7.312-001.0	Washer 4 -200HV-A3E ISO 7089	2.000	ST



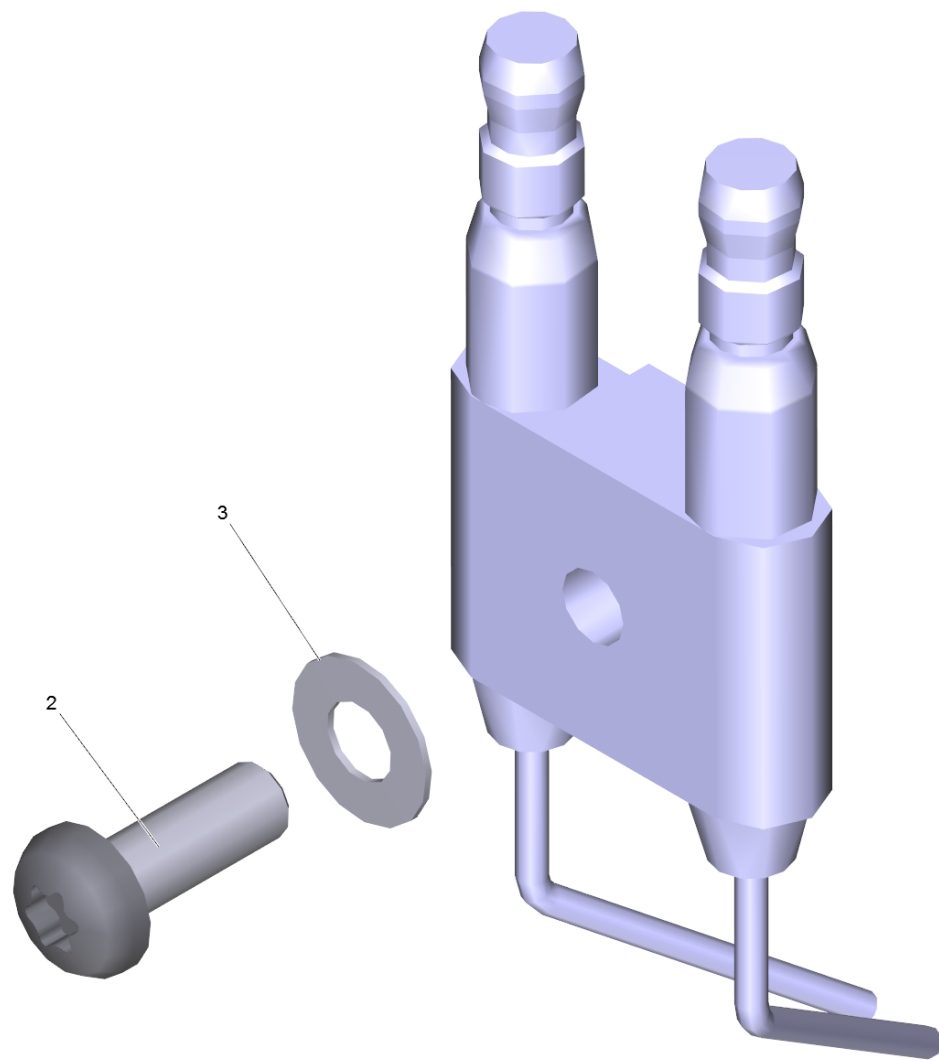
7 Conversion kit ignition electrode (2.638-974.0)

POS	Article no.	Description	Quantity	Unit
2	7.306-217.0	Screw M5x14 -8.8-R2R (In6Rd)	1.000	ST
3	7.312-304.0	Spring washer B 5-FST-A2E DIN 137	1.000	ST



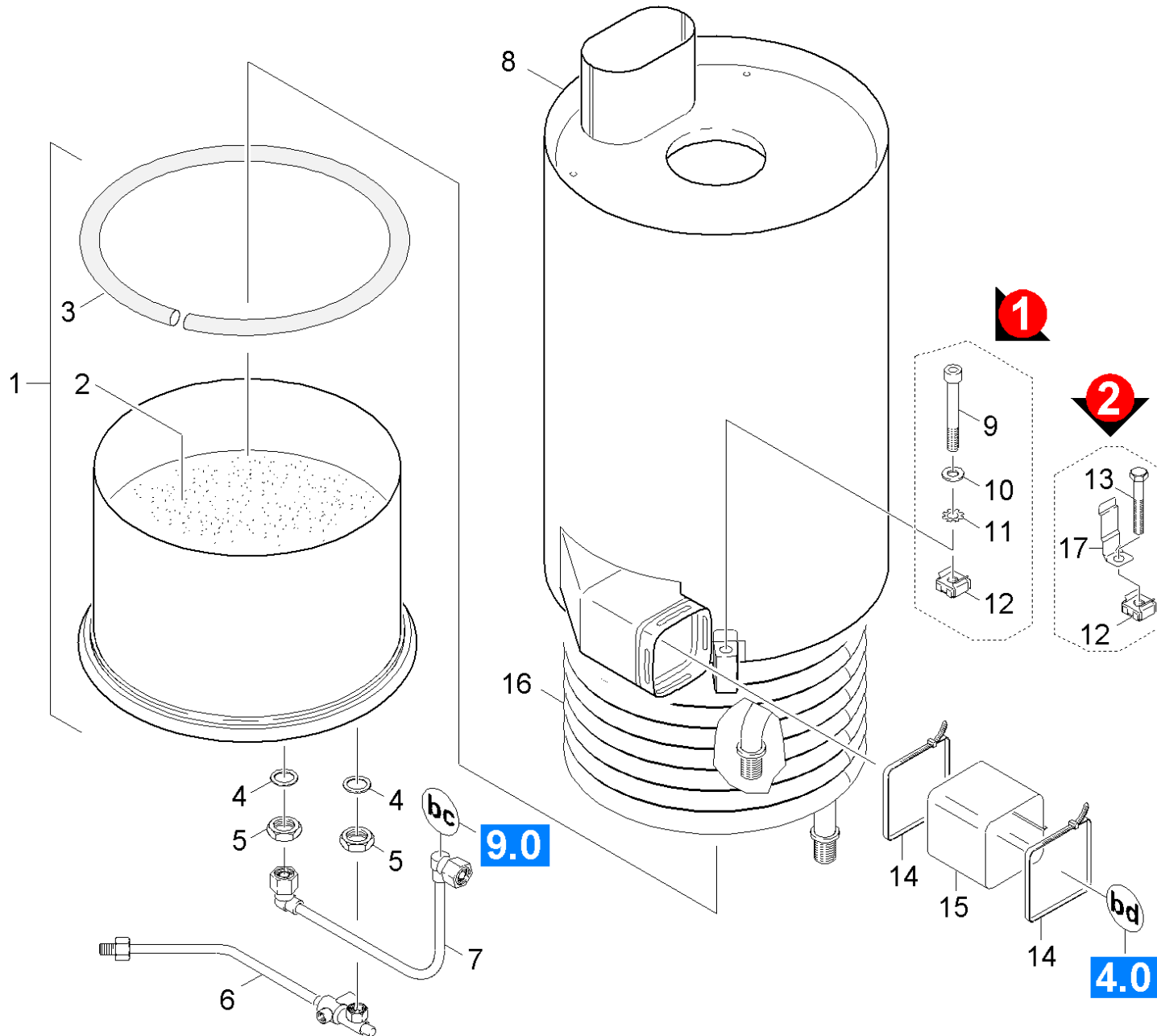
20 Ignition cable complete (4.821-072.0)

POS	Article no.	Description	Quantity	Unit
1	5.394-470.0	Protecting cap	1.000	ST



21 Conversion kit ignition electrode (2.638-974.0)

POS	Article no.	Description	Quantity	Unit
2	7.306-217.0	Screw M5x14 -8.8-R2R (In6Rd)	1.000	ST
3	7.312-304.0	Spring washer B 5-FST-A2E DIN 137	1.000	ST

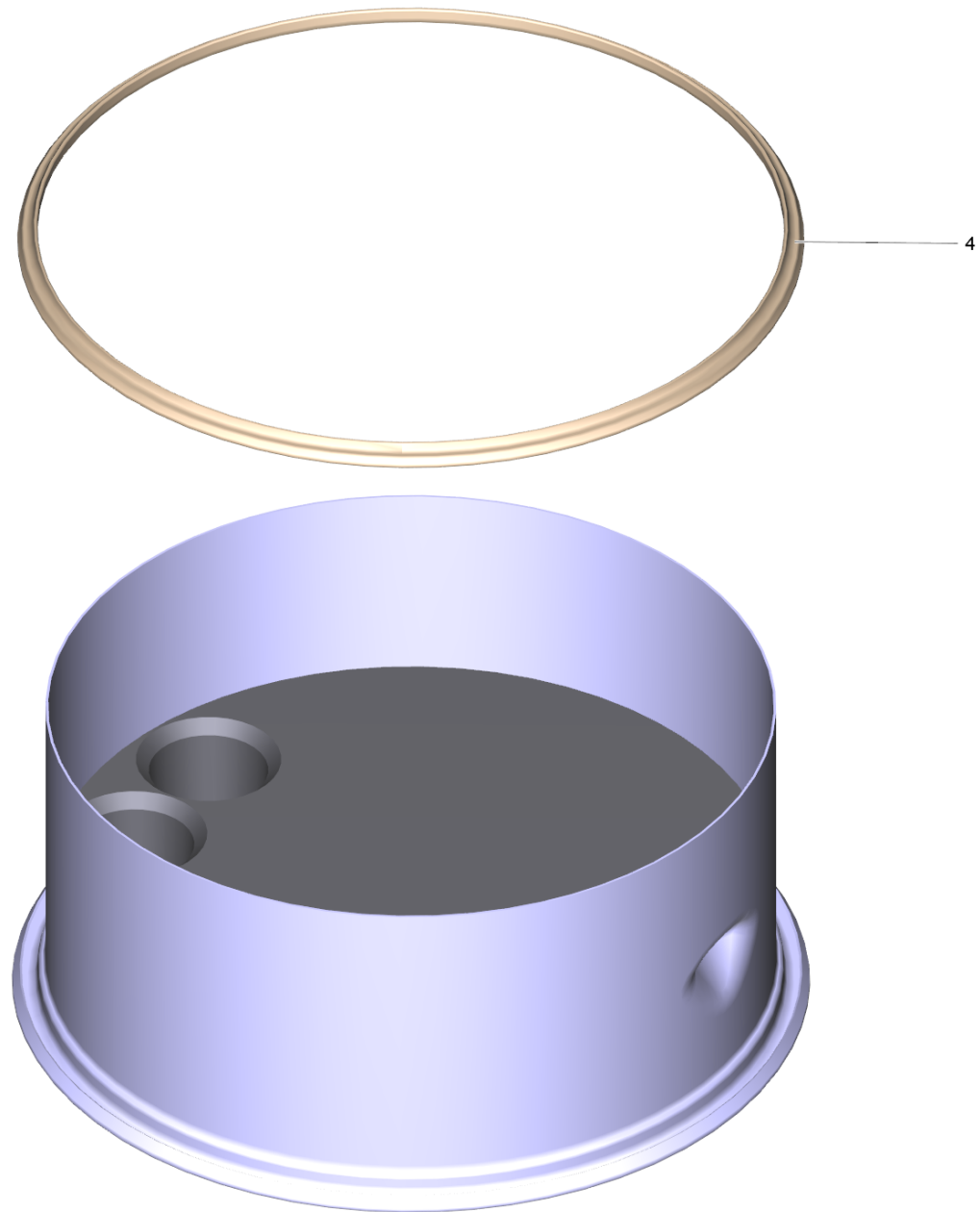


72 Boiler

POS	Article no.	Description	Quantity	Unit	Remark	Foot note text
1	4.655-044.0	Bottom pressure boiler	1.000	ST		
	Item text1: / 1.698-915.0 / -916.0					
1	4.655-048.0	Bottom pressure boiler	1.000	ST		
	Item text1: / 1.699-915.0 / -916.0					
12	6.310-134.0	Cage nut M8	3.000	ST		
15	5.178-026.0	Cloth collar	1.000	ST		
13	7.306-040.0	Cylinder head screw M8x16 -8.8-A2E ISO4	3.000	ST		
	Item text1: / 1.698-915.0 / -916.0					
9	7.306-151.0	Cylinder head screw M8x65 -8.8-A2E ISO4	3.000	ST	VERSION 1	
	Item text1: / 1.699-915.0 / -916.0					
16	4.680-135.0	Heating coil	1.000	ST		
	Item text1: / 1.698-915.0 / -916.0					
16	4.680-098.0	Heating coil	1.000	ST		
	Item text1: 1.699-915.0 ==>10909; 1.699-916.0					
	Item text2: ==>10028; 1.699-917.0 ==>10949;					
16	4.680-147.0	Heating coil	1.000	ST		
	Item text1: 1.699-915.0 10910==>; 1.699-916.0					
	Item text2: 10029==>; 1.699-917.0 10950==>;					
16	4.680-137.0	Heating coil VA	1.000	ST		STAINLESS STEEL CONSTRUCTION
	Item text1: 1.698-915.0 / -916.0					
16	4.680-151.0	Heating coil VA	1.000	ST		
	Item text1: 1.699-915.0 ==>10909; 1.699-916.0					
	Item text2: ==>10028; 1.699-917.0 ==>10949;					
16	4.680-151.0	Heating coil VA	1.000	ST		STAINLESS STEEL CONSTRUCTION
	Item text1: 1.699-915.0 10910==>; 1.699-916.0					
	Item text2: 10029==>; 1.699-917.0 10950==>;					
5	7.311-155.0	Hexagon nut M22x1,5 -Cu2 DIN 936	2.000	ST		
17	5.044-420.0	Holder	3.000	ST	VERSION 2	
	Item text1: / 1.698-915.0 / -916.0					
8	4.652-079.0	Outer covering	1.000	ST		
	Item text1: 1.699-915.0 ==>10909; 1.699-916.0					
	Item text2: ==>10023; 1.699-917.0 ==>10949					

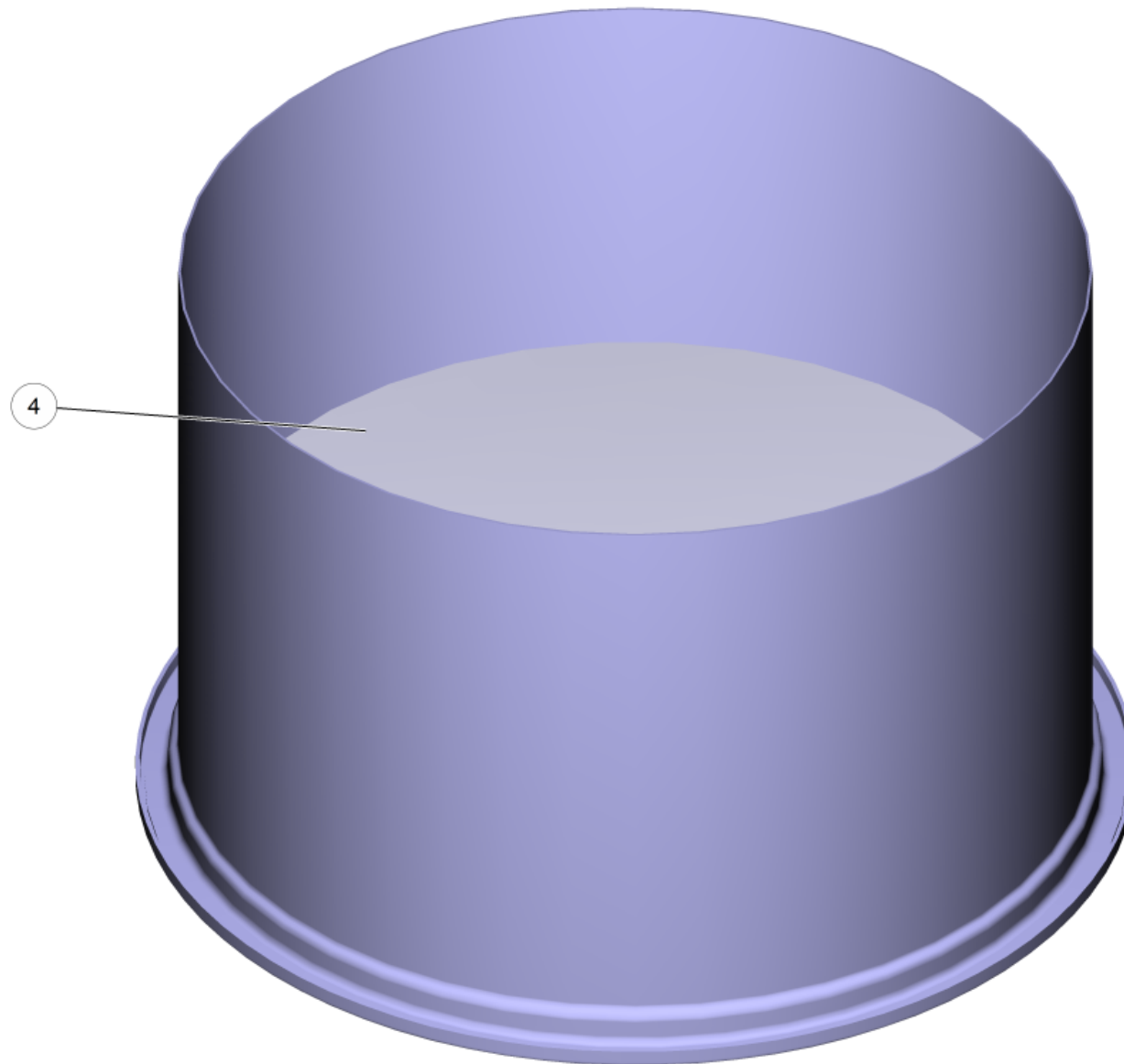
72 Boiler

POS	Article no.	Description	Quantity	Unit	Remark	Foot note text
8	4.652-146.0	Outer covering complete	1.000	ST		
	Item text1: 1.699-915.0 10910==>; 1.699-916.0					
	Item text2: 10029==>; 1.699-917.0 10950==>;					
6	4.421-674.0	Pipelines	1.000	ST		
	Item text1: / 1.699-915.0 / -916.0					
6	4.421-675.0	Pipelines	1.000	ST		
	Item text1: / 1.698-915.0 / -916.0					
7	4.422-012.0	Pipelines	1.000	ST		
4	5.365-068.0	Profile gasket	2.000	ST		
2	2.889-061.0	Refractory material 8kg	1.000	ST		
3	6.366-039.0	Seal string	1.000	ZST		
	Item text1: / 1.699-915.0 / -916.0					
3	6.366-009.0	Seal string	1.000	ST		
	Item text1: / 1.698-915.0 / -916.0					
14	6.388-608.0	Tightening strap	2.000	ST		
11	7.312-159.0	Toothed lock washer A8,4-FST-PH DIN 679	3.000	ST	VERSION 1	
	Item text1: / 1.699-915.0 / -916.0					
8	4.652-131.0	Vessel mantel complete	1.000	ST		
	Item text1: 1.698-915.0 / -916.0 /					
10	7.312-004.0	Washer 8 -200HV-A3E ISO 7089	3.000	ST	VERSION 1	
	Item text1: / 1.699-915.0 / -916.0					



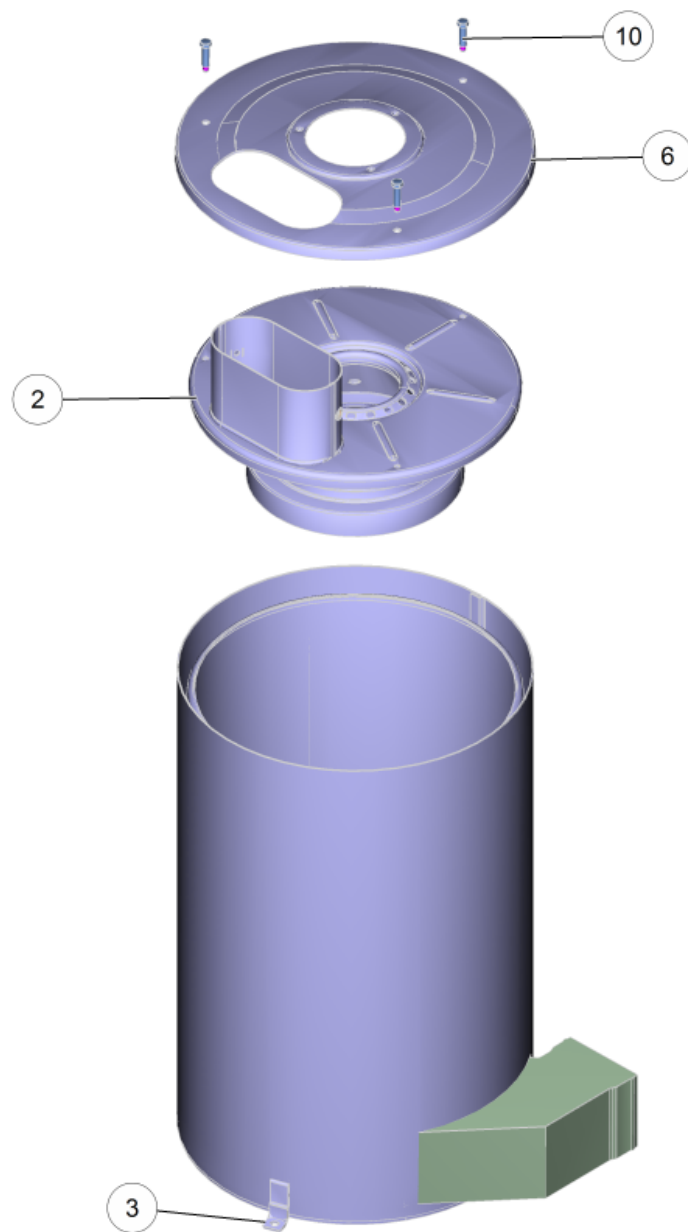
1 Bottom pressure boiler (4.655-044.0)

POS	Article no.	Description	Quantity	Unit
6	6.869-024.0	Quick-bonding agent	0.004	ZST
4	6.366-009.0	Seal string	1.000	ST



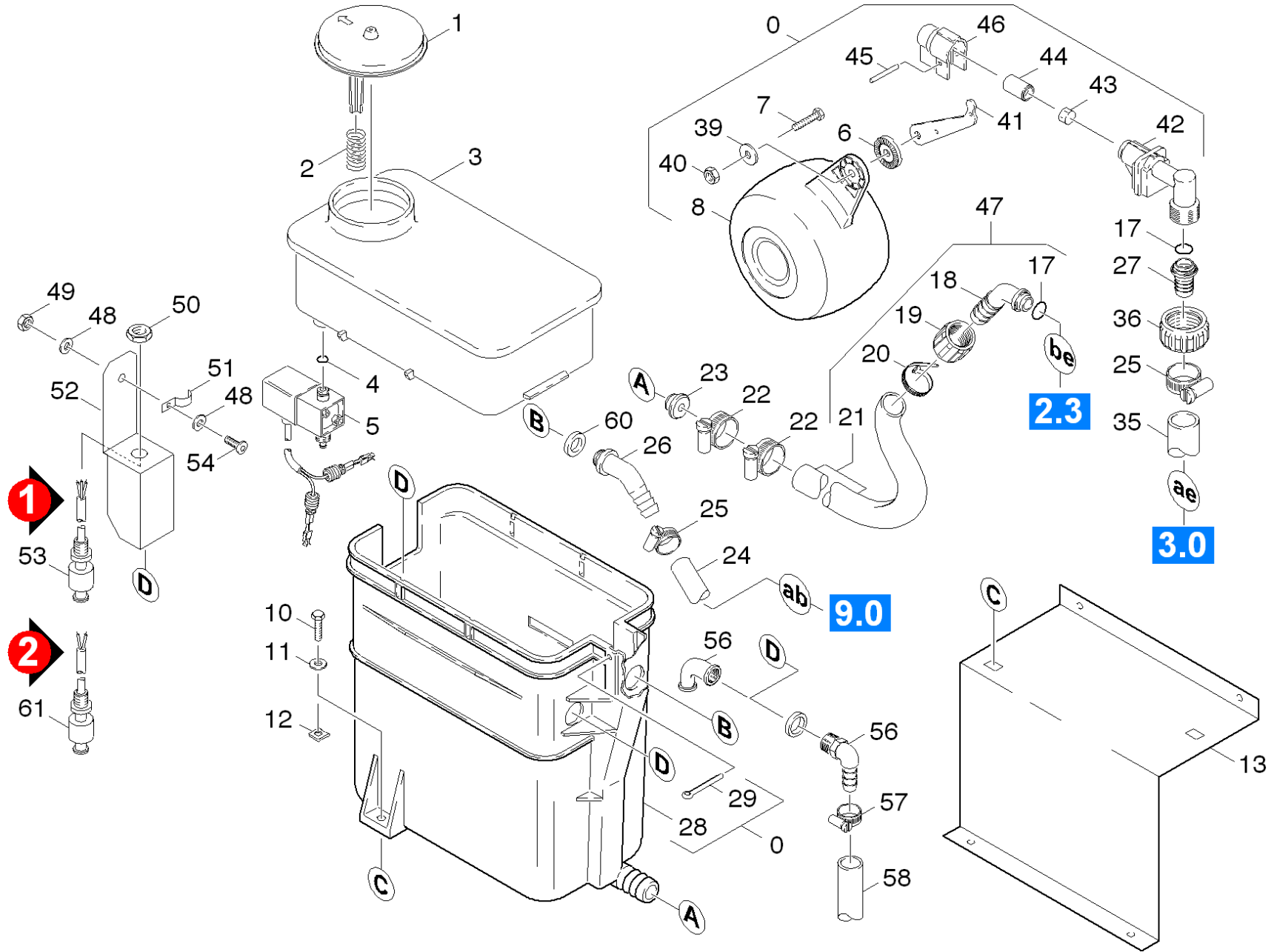
1 Bottom pressure boiler (4.655-048.0)

POS	Article no.	Description	Quantity	Unit
4	2.889-061.0	Refractory material 8kg	1.000	ST



8 Outer covering (4.652-079.0)

POS	Article no.	Description	Quantity	Unit
2	4.663-138.0	Burner cage complete	1.000	ST
6	5.654-046.0	Cover pressure boiler	1.000	ST
3	5.044-420.0	Holder	3.000	ST
10	6.303-258.0	Self-tapping screw	3.000	ST

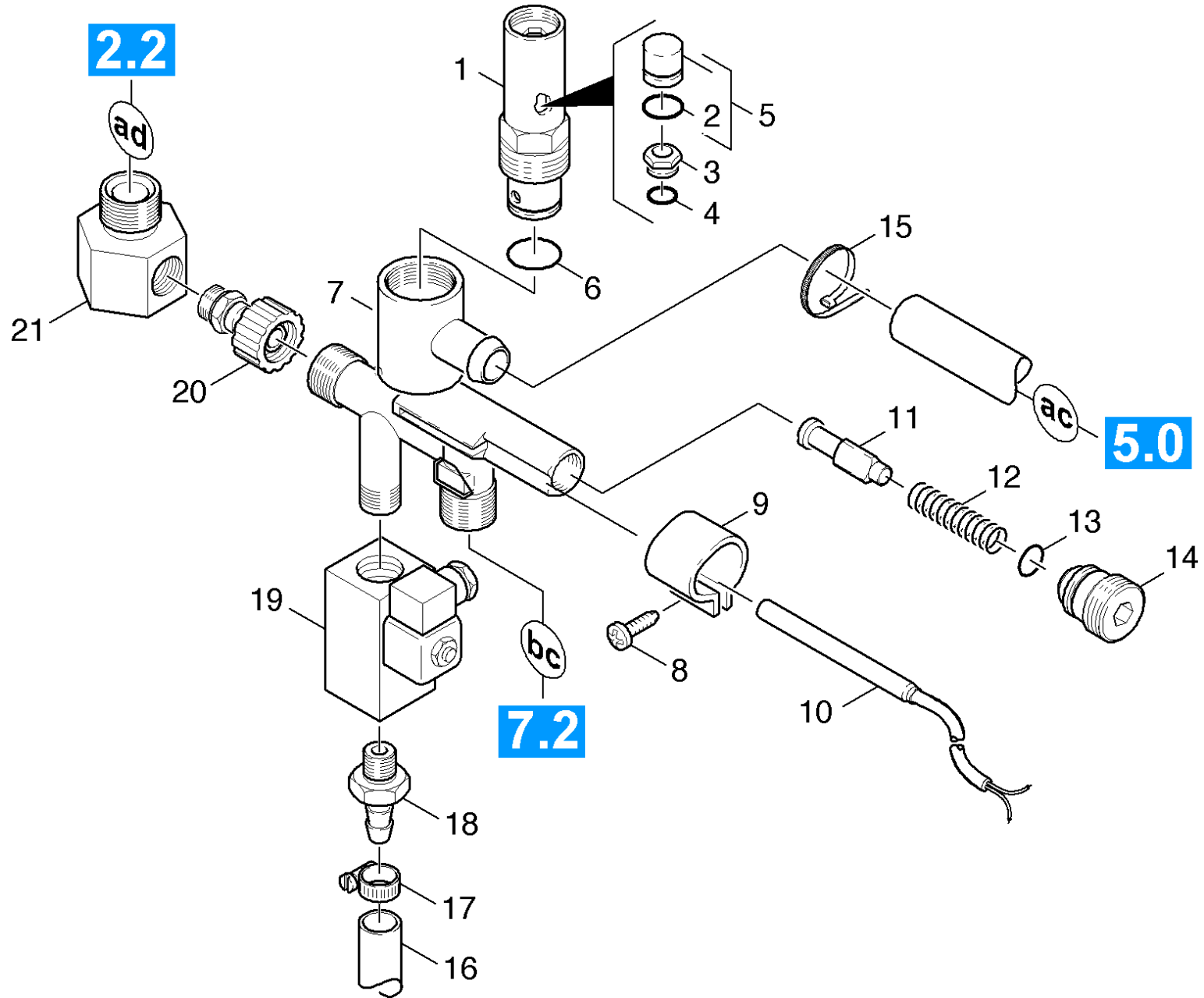


80 Float chest

POS	Article no.	Description	Quantity	Unit	Remark	Foot note text
55	6.387-862.0	Angle A1-1/4"-RG5	1.000	ST		
56	6.388-423.0	Angle bushing 1/4"	1.000	ST		
45	7.316-004.0	Bolt A 3x25 -CuZn ISO 2340	1.000	ST		
23	5.112-325.0	Bush	1.000	ST		
51	6.641-451.0	Cable clamp 5	1.000	ST		
20	6.641-474.0	Cable tape 8-210	1.000	ST		
29	7.316-432.0	Cotter 4x50 -St-A2E ISO 1234	1.000	ST		
1	5.063-226.0	Cover	1.000	ST		
43	5.364-095.0	Flat gasket	1.000	ST		
8	5.585-024.0	Float	1.000	ST		
61	6.631-846.0	Float regulator	1.000	ST	Version 2	
53	6.631-539.0	Float regulator	1.000	ST	Version 1	
28	5.070-686.0	Float tank HD / HDS	1.000	ST		
0	3.593-060.0	Float valve	1.000	ST		
2	5.332-001.0	Helical spring	1.000	ST		
49	7.311-064.0	Hexagon nut M 4-A2-70 ISO 4032	1.000	ST		
40	7.311-422.0	Hexagon nut M 6-1.4305 ISO 10511	1.000	ST		
47	4.440-349.0	Hose	1.000	ST		
25	6.388-547.0	Hose clip	4.000	ST		
22	6.388-548.0	Hose clip	2.000	ST		
57	7.373-019.0	Hose clip A 10-16x9-W4 DIN3017	1.000	ST		
58	6.388-247.0	Hose DN8 -PVC	1.000	M		TO ORDER AS CUT GOODS
24	6.388-719.0	Hose DN17	1.000	M		TO ORDER AS CUT GOODS
21	6.388-155.0	Hose DN19	1.000	M		
60	6.389-373.0	Hose PVC DN32	1.000	M		
18	5.443-211.0	Hose stem	1.000	ST		
27	5.443-224.0	Hose stem	1.000	ZST		
26	5.443-285.0	Hose stem	1.000	ST		
41	5.481-029.0	Lever	1.000	ST		
50	6.641-756.0	Locknut PG 7	1.000	ST		
19	5.310-062.0	Nut	1.000	ST		
36	5.310-061.0	Nut R 3/4"	1.000	ST		
4	6.362-113.0	O-Ring seal 6,0 x 2,0 NBR 70	1.000	ST		

80 Float chest

POS	Article no.	Description	Quantity	Unit	Remark	Foot note text
17	6.362-078.0	O-Ring seal 13,3x2,4	2.000	ST		
46	5.394-066.0	Protection part	1.000	ST		
54	7.306-207.0	Screw M4x12 -A2-70 (In6Rd)	1.000	ST		
7	7.306-194.0	Screw M6x20 -A2-70 (In6Rd) ISO 14583	1.000	ST		
13	5.049-630.0	Sheet metal component	1.000	ST		
52	5.050-280.0	Sheet metal component	1.000	ST		
10	7.303-079.0	Sheet metal screw ST4,8X25-ST-ZNBHL ISO14585	2.000	ST		
12	6.310-028.0	Snap nut 4,8	2.000	ST		
5	6.685-845.0	Solenoid valve	1.000	ST		
3	4.070-094.0	Tank	1.000	ST		
42	5.587-103.0	Valve housing	1.000	ST		
44	5.584-026.0	Valve pin	1.000	ST		
6	5.115-158.0	Washer	1.000	ST		
48	7.312-042.0	Washer 4 -CuZn-E2E ISO 7090	2.000	ST		
11	7.312-278.0	Washer 5-200HV-A2E ISO7093-1	2.000	ST		
39	7.312-279.0	Washer 6-CuZn ISO 7093-1	1.000	ST		
59	7.312-054.0	Washer 12-A2 ISO 7089	1.000	ST		
35	6.388-924.0	Water hose DN16	1.000	M		TO ORDER AS CUT GOODS

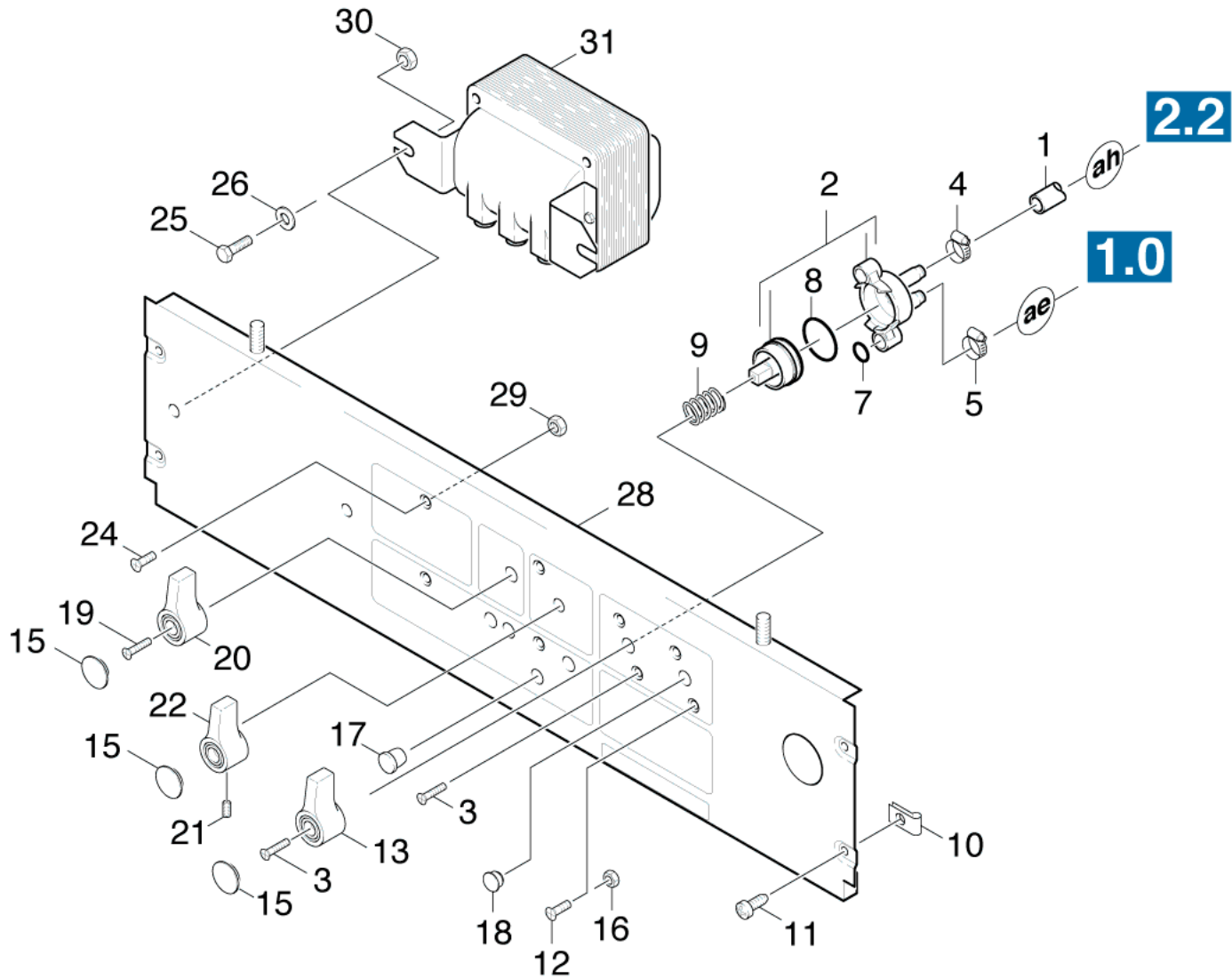


90 Safety system

POS	Article no.	Description	Quantity	Unit	Foot note text
15	6.641-474.0	Cable tape 8-210	1.000	ST	
9	5.041-076.0	Clamp	1.000	ST	
12	5.332-057.0	Helical spring	1.000	ST	
19	6.685-864.0	HIGH PRESSURE VALVE	1.000	ST	
17	7.373-019.0	Hose clip A 10-16x9-W4 DIN3017	1.000	ST	
16	6.388-247.0	Hose DN8 -PVC	1.000	M	TO ORDER AS CUT GOODS
18	6.388-630.0	Hose stem	1.000	ST	
7	5.061-175.0	Housing	1.000	ST	
8	6.303-122.0	M4 .2X13 DIN 7981 TORX T15 PAN HD HI/LO	1.000	ST	
4	6.362-388.0	O-Ring seal 8,0x1,5 -EPDM 70	1.000	ST	
13	6.362-482.0	O-Ring seal 10 x 1,5-NBR 70	1.000	ST	
2	6.362-481.0	O-Ring seal 14,0 x 2,0 NBR 80	1.000	ST	
6	6.362-580.0	O-Ring seal 17,0 X 2,0-NBR 70	1.000	ST	
11	4.553-022.0	Piston	1.000	ST	
5	6.412-264.0	Piston with seal	1.000	ST	
10	2.880-194.0	Reed switch replacement	1.000	ST	
1	4.412-538.0	Safety valve -nur für Ersatz-	1.000	ST	
21	5.401-296.0	Screw connector part	1.000	ST	
20	4.402-024.0	Screw union	1.000	ST	
14	5.305-162.0	Shaped screw	1.000	ST	
3	6.412-263.0	Valve seat	1.000	ST	

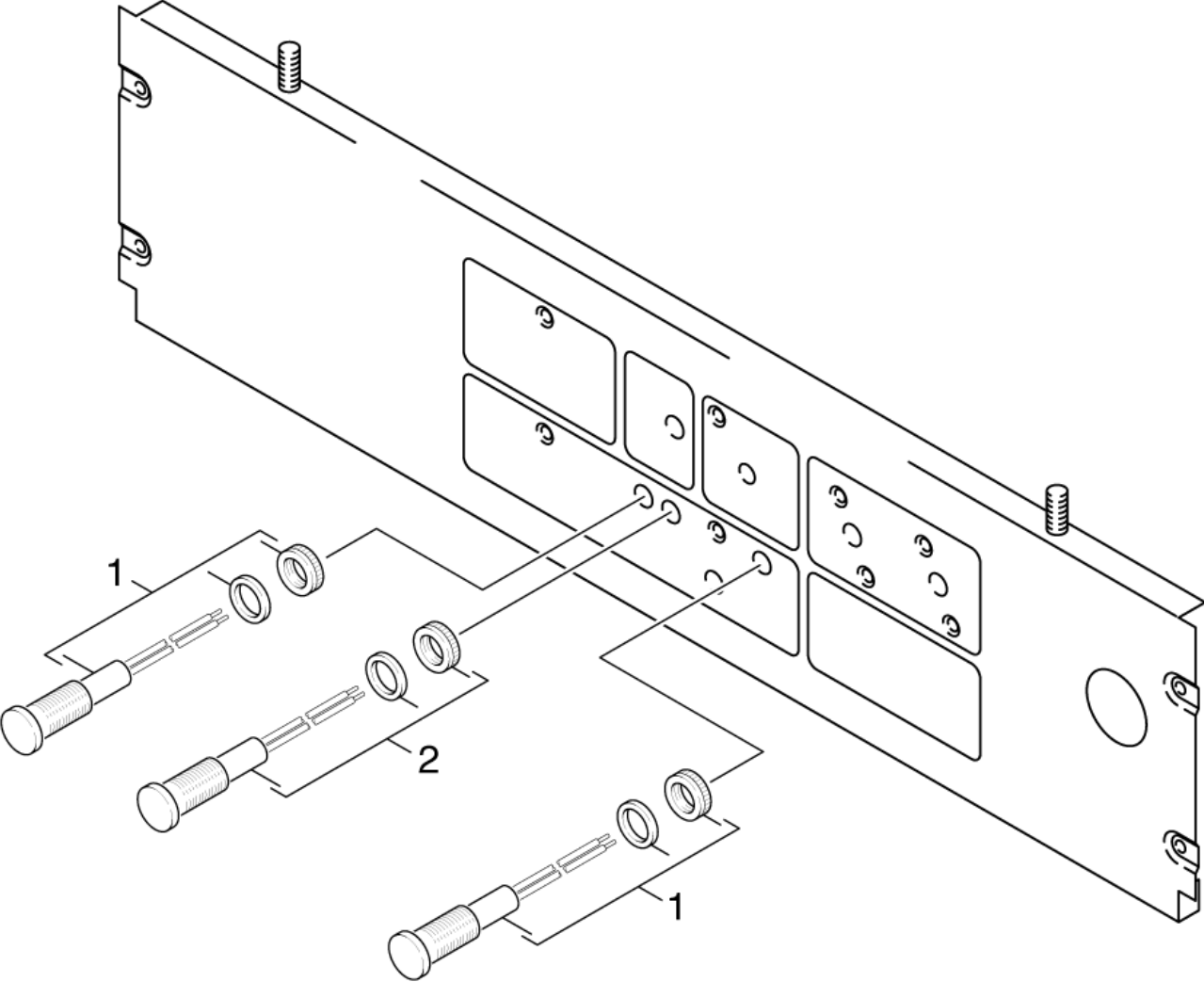
100 Control panel

POS	Description	Quantity	Unit
101	Control panel	1.000	ST
102	Pilot lamp	1.000	ST



101 Control panel

POS	Article no.	Description	Quantity	Unit
18	6.368-133.0	Cap	1.000	ST
28	4.841-154.0	Control panel HDS 9/14 ST	1.000	ST
	Item text1: /1.698-915.0 / 1.699-916.0			
28	4.841-155.0	Control panel HDS 12/14 ST	1.000	ST
	Item text1: /1.699-915.0 / 1.699-916.0			
3	7.303-125.0	Countersunk screw 4x16 -10.9-R2R (In6Rd	3.000	ST
12	7.305-035.0	Countersunk screw M 4x10-A2-70-SCHW (IN	2.000	ST
24	7.305-038.0	Countersunk screw M5x10-A2-70-schw (IN6	4.000	ST
19	7.306-415.0	Cylinder head screw M3,5x12-4.8-A2E ISO1	1.000	ST
17	6.368-064.0	Drain plug	1.000	ST
13	5.321-067.0	Handhold	1.000	ST
22	5.321-294.0	Handhold	1.000	ST
20	5.321-235.0	Handhold	1.000	ST
9	5.332-028.0	Helical spring	1.000	ST
25	7.304-382.0	Hexagonal head screw M 6x12-8.8-A2E ISO	2.000	ST
16	7.311-430.0	Hexagon nut M4 -04-A2E DIN 985	4.000	ST
29	7.311-421.0	Hexagon nut M 5-04-A2E DIN 985	4.000	ST
30	7.311-425.0	Hexagon nut M6 -04-A2E DIN 985	2.000	ST
5	6.388-561.0	Hose clip	1.000	ST
4	7.373-019.0	Hose clip A 10-16x9-W4 DIN3017	1.000	ST
1	6.388-247.0	Hose DN8 -PVC	1.000	M
31	4.622-033.0	Ignition transformer only for replacemen	1.000	ST
7	6.362-386.0	O-Ring seal 5,0 x 1,5-NBR 80	1.000	ST
8	6.362-385.0	O-Ring seal 26,0 X 2,5-NBR 70	1.000	ST
15	5.132-010.0	Plug	3.000	ST
11	7.303-076.0	Sheet metal screw ST4,8X13 -St-R2R (In6	4.000	ST
10	6.310-121.0	Speed nut	4.000	ST
21	7.307-181.0	Threaded pin M5x10-14H-A2E ISO 7434	1.000	ST
2	4.580-064.0	Valve	1.000	ST
26	7.312-276.0	Washer 6 -200HV-A2E ISO7093-1	2.000	ST



102 Pilot lamp

POS	Article no.	Description	Quantity	Unit
2	6.651-220.0	Pilot lamp green	1.000	ST
3	6.651-223.0	Pilot lamp red	1.000	ST
1	6.651-184.0	Pilot lamp red	3.000	ST