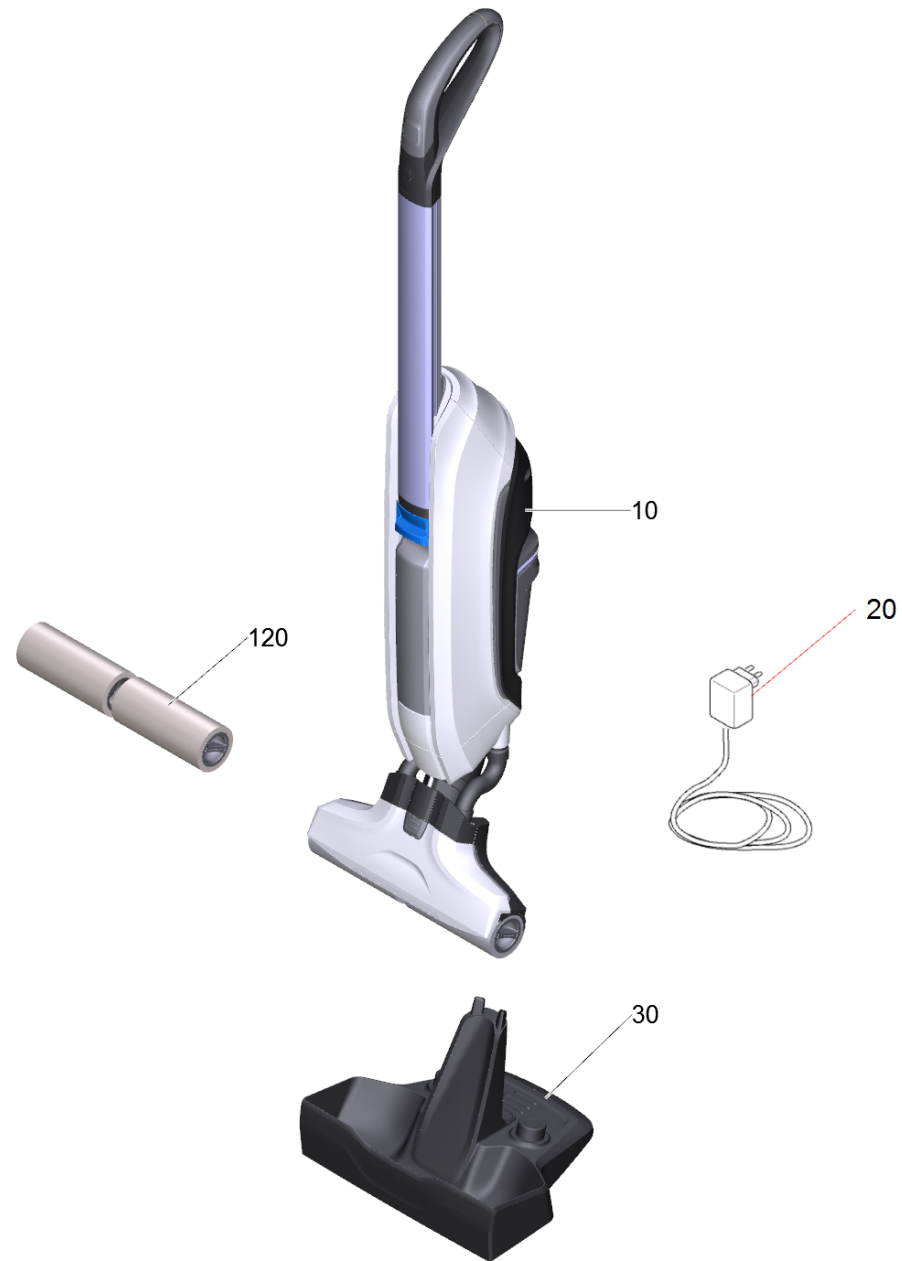


Spare parts list

(1.055-660.0) FC 5 Cordless Premium (white) *EU

Table of contents

FC 5 Cordless Premium (white) *EU (1.055-660.0)	3
10 Device FC 5 Cordless Pre (white)* EU	5
10 Basic unit white	7
20 Brush complete white	9
10 Brush assembly (yellow+grey)	11
10 Spare parts set drive complete (4.071-565.0)	13
30 Handle complete white	14
20 Handle cable switch	16
40 Dirt bin complete (4.055-030.0)	18
50 Water tank complete	20
60 Filter complete for replacement (4.055-110.0)	22



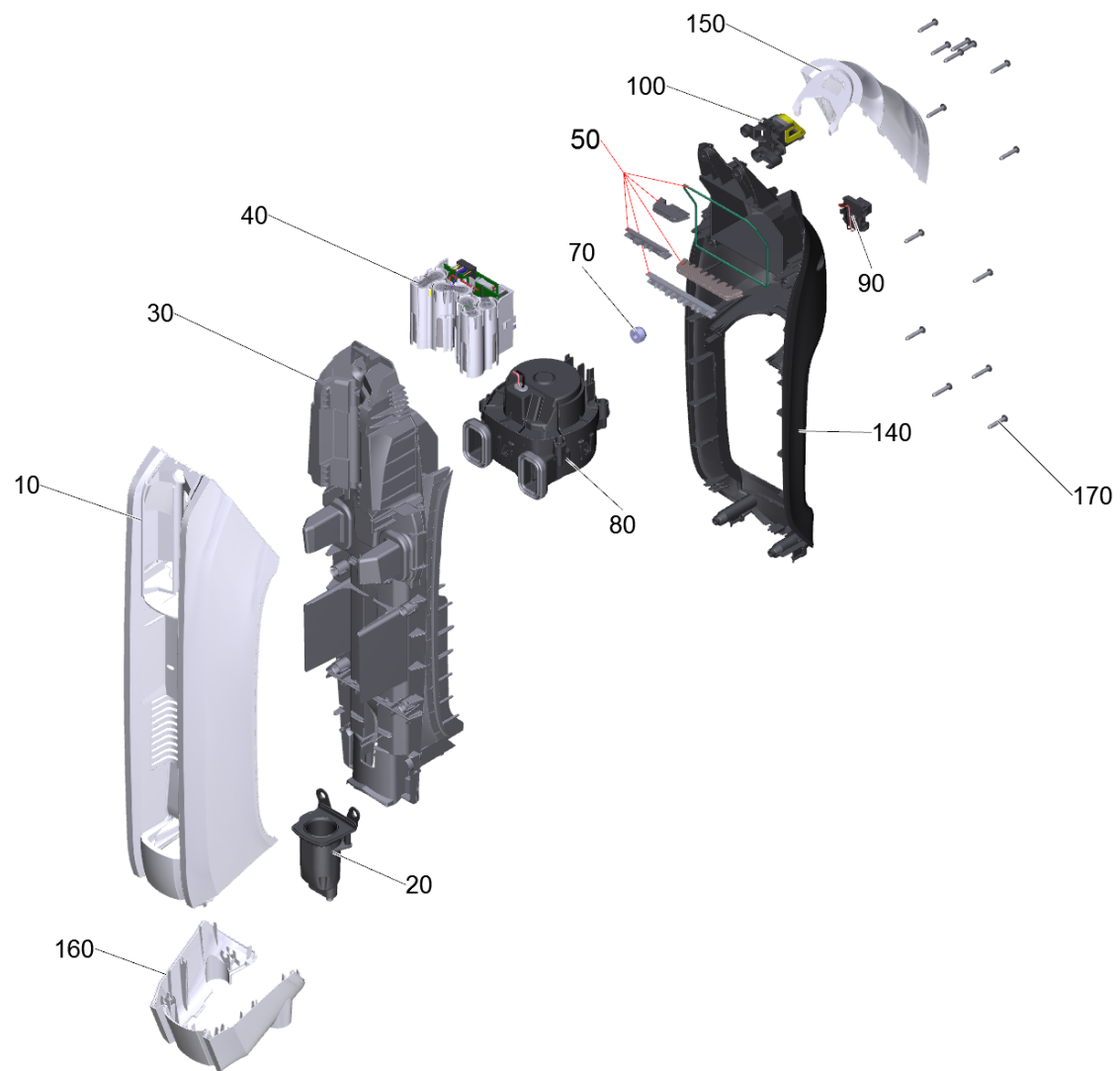
FC 5 Cordless Premium (white) *EU (1.055-660.0)

POS	Article no.	Description	Quantity	Unit
10		Device FC 5 Cordless Pre (white)* EU	1	PC
20	6.195-069.0	Power supply PS07 Phihong *EU	1	PC
30	5.055-521.0	Cleaning station FC 5	1	PC
120	2.055-007.0	Set of rollers grey set grau	1	PC



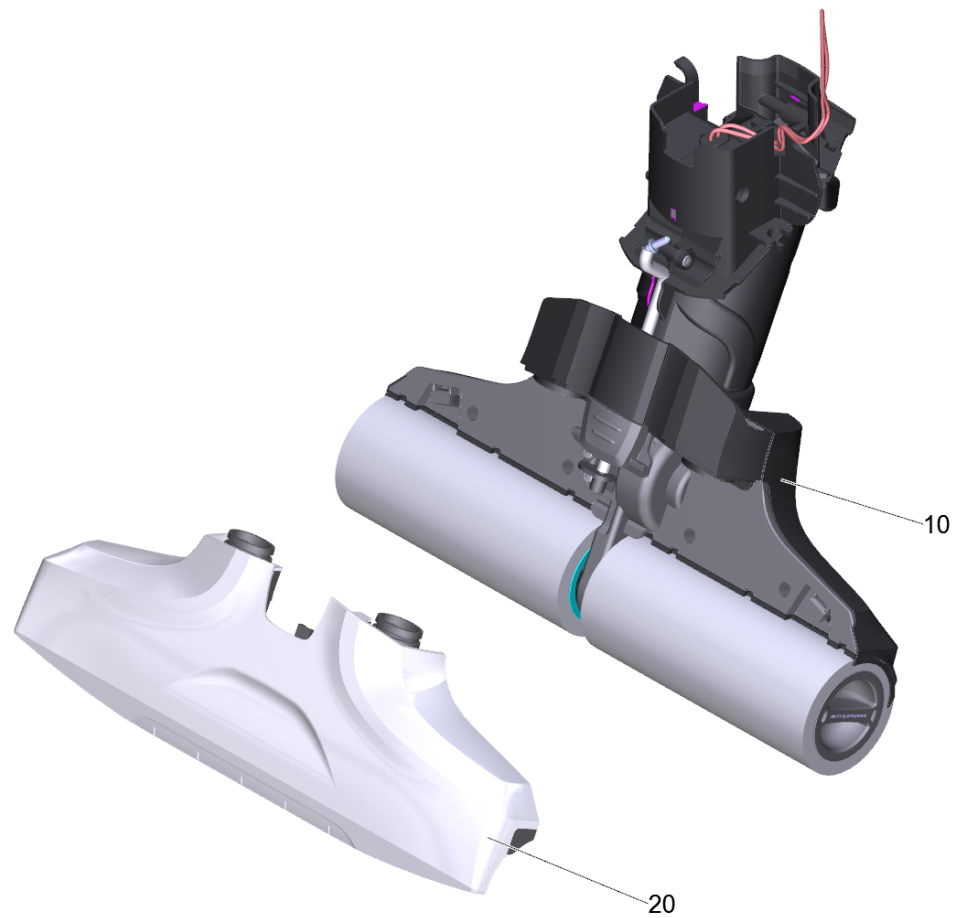
10 Device FC 5 Cordless Pre (white)* EU

POS	Article no.	Description	Quantity	Unit
10		Basic unit white	1	PC
20		Brush complete white	1	PC
21	6.330-123.0	Pressure spring	1	PC
22	5.055-419.0	Connection extraction system	1	PC
23	5.055-404.0	Seal intake dirt box	1	PC
24	6.901-002.0	Suction hose complete	1	PC
30		Handle complete white	1	PC
40	4.055-030.0	Dirt bin complete	1	PC
50		Water tank complete	1	PC
60	4.055-110.0	Filter complete for replacement	1	PC
70	5.397-816.3	Label vacuum channel packaged FC 5	1	PC



10 Basic unit white

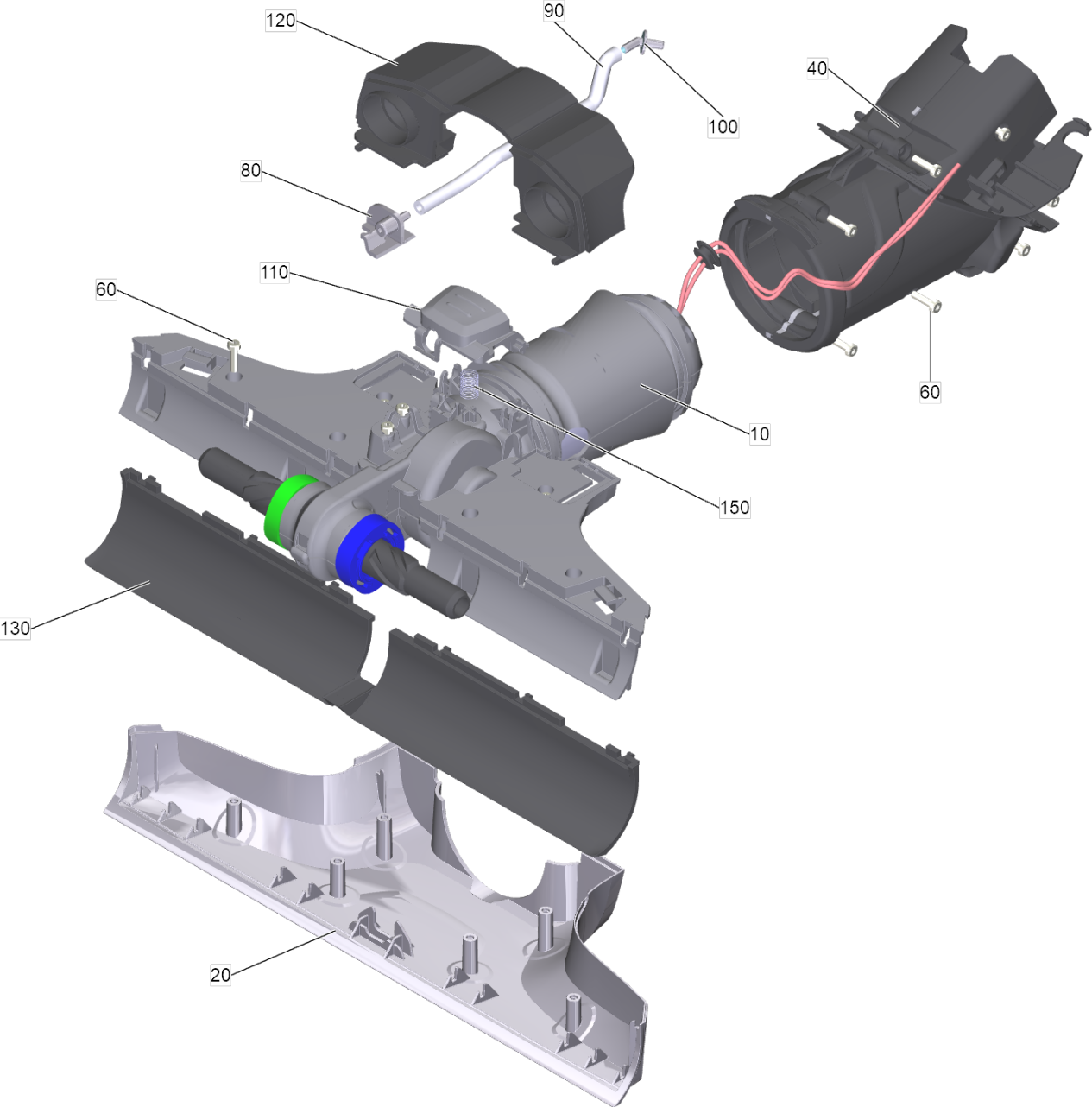
POS	Article no.	Description	Quantity	Unit
10	9.038-620.0	Housing front printed (white)	1	PC
20	9.013-545.3	Water valve complete	1	PC
30	9.038-616.0	Bracket frame (yellow)	1	PC
40	4.071-570.0	Battery accumulator complete	1	PC
50	4.071-538.0	Spare parts set seals	1	PC
70	5.055-441.0	Rubber bearing	1	PC
80	9.013-540.3	Spare parts set turbine-motor completely	1	PC
90	9.013-548.3	Charging jack complete	1	PC
100	9.013-558.3	LED box completely	1	PC
140	9.038-618.0	Housing back (grey)	1	PC
150	9.038-617.0	Cover top (white)	1	PC
160	9.038-615.0	Cover bottom (white)	1	PC
170	9.086-221.0	Screw ATF 4.1x22	14	PC



20 Brush complete white

POS	Article no.	Description	Quantity	Unit
10		Brush assembly (yellow+grey)	1	PC
20	4.055-180.0	Cover plate aspiration complete	1	PC

10 Brush assembly (yellow+grey)

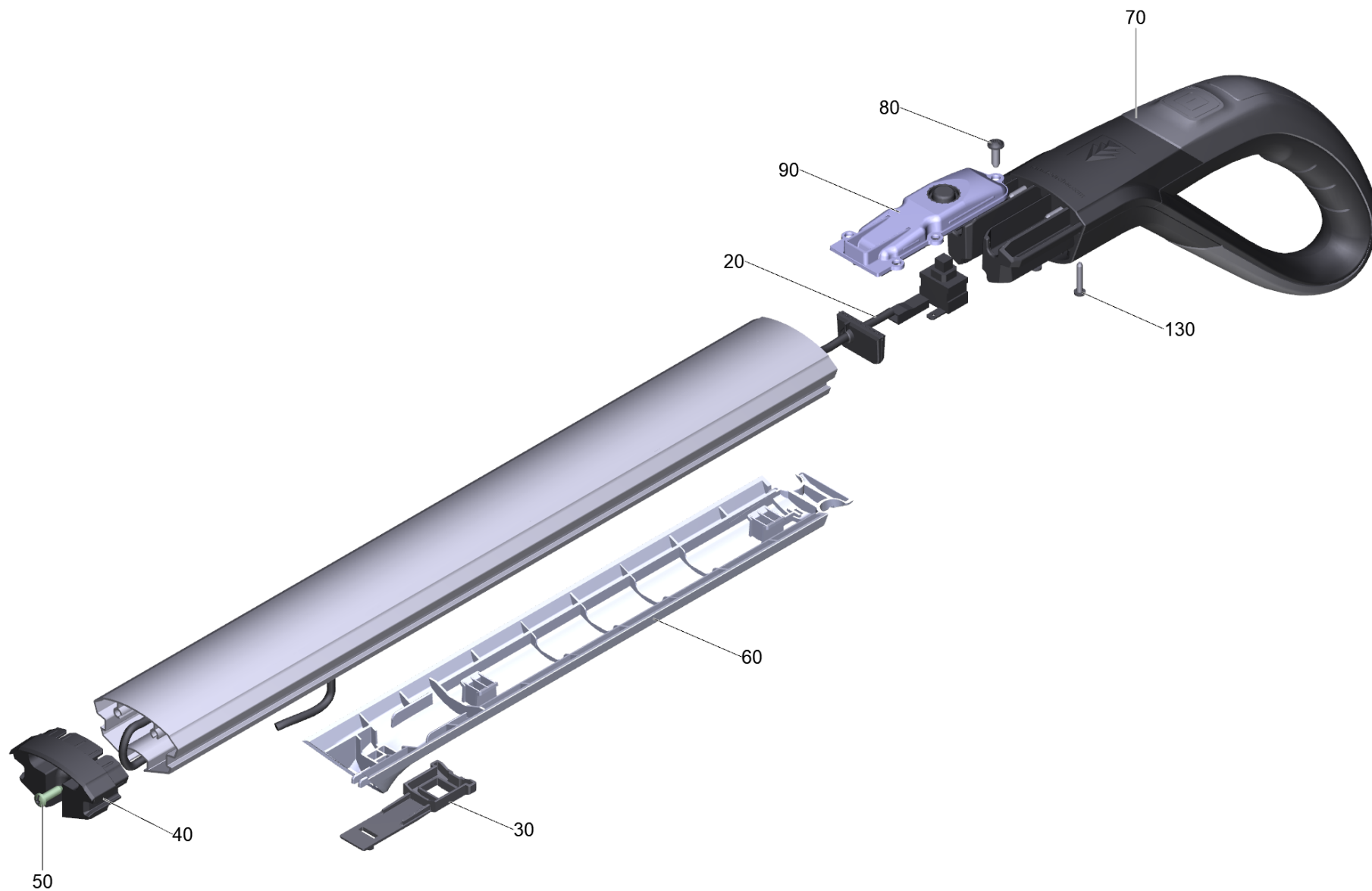


10 Brush assembly (yellow+grey)

POS	Article no.	Description	Quantity	Unit
10	4.071-565.0	Spare parts set drive complete	1	PC
20	5.055-461.0	Covering cap power brush grey	1	PC
40	4.055-177.0	Joint housing grey for replacement	1	PC
60	6.303-557.0	Screw 3x12 Kombitorx T8	15	PC
80	9.038-581.0	Hose nipple	1	PC
90	9.038-582.0	Water hose	1	m
100	9.038-591.0	Water nipple	1	PC
110	9.038-610.0	Lock button (black)	1	PC
120	9.038-611.0	Cap hose (grey)	1	PC
130	5.055-410.0	Sweep edge	1	PC
140	6.288-225.0	Grease	1	ZST
cart_info_txt: This material is not available due to hazardous good regulation. Please procure this or a similar material from a local supplier of your choice. Grease - Lagermeister 3000 plus (Fuchs Lubritech)				
150	5.332-366.0	Helical spring	1	PC

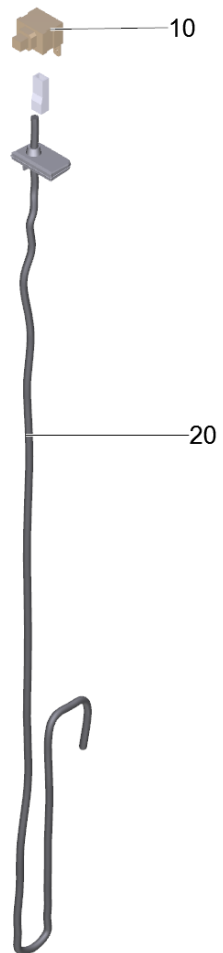
10 Spare parts set drive complete (4.071-565.0)

POS	Article no.	Description	Quantity	Unit
1	5.055-430.0	Seal	1	PC



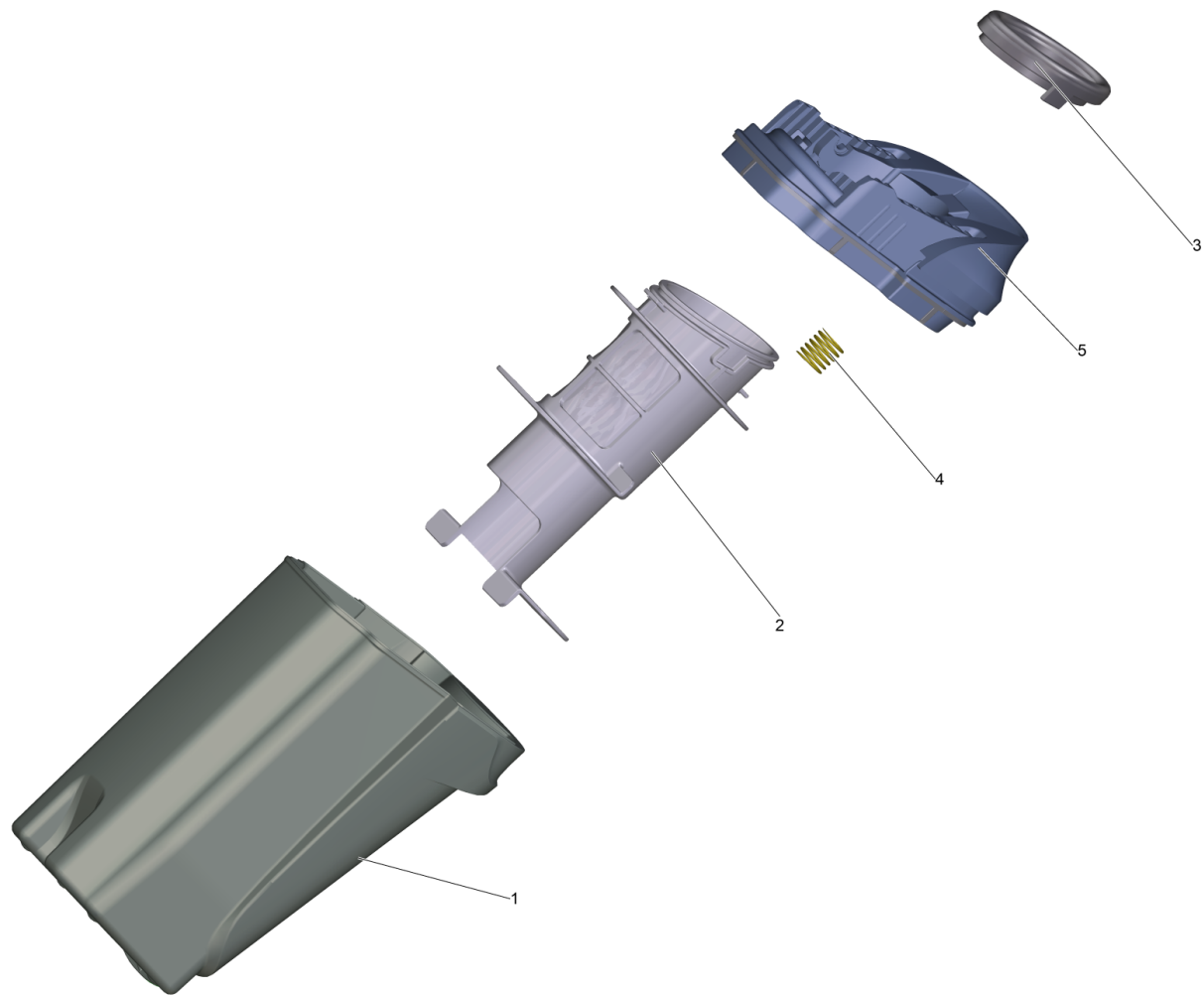
30 Handle complete white

POS	Article no.	Description	Quantity	Unit
10	5.055-477.0	Profile aluminium printed	1	PC
20		Handle cable switch	1	PC
30	5.055-239.0	Snap-fit	1	PC
40	5.055-251.0	Cap bottom	1	PC
50	6.303-122.0	M4 .2X13 DIN 7981 TORX T15 PAN HD HI/LO	1	PC
60	4.055-232.0	Handle cover for replacement	1	PC
70	4.055-176.0	Hand grip grey for replacement	1	PC
80	7.303-106.0	Screw 4x12 -10.9-R2R (IN6RD)	9	PC
90	5.055-256.0	Cover switch	1	PC
130	7.303-264.0	Screw 3x16-10.9-R2R (K-In6Rd)	3	PC



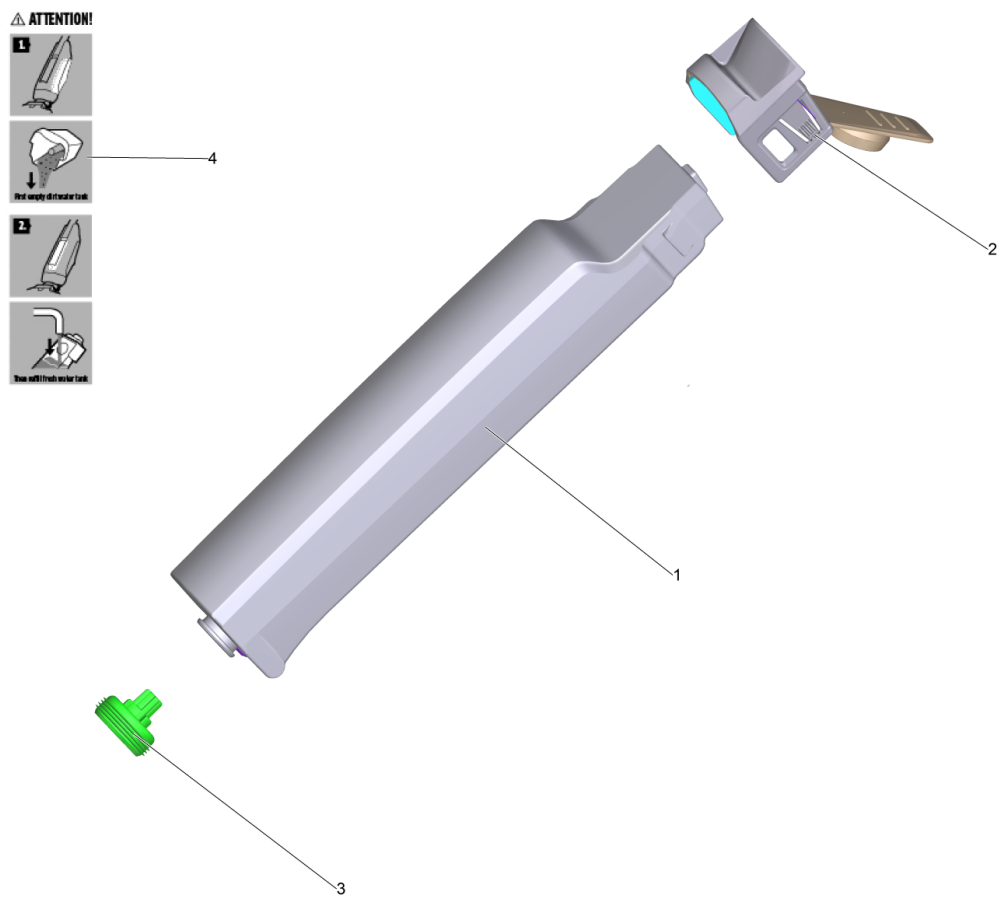
20 Handle cable switch

POS	Article no.	Description	Quantity	Unit
10	9.085-118.0	Switch 1P	1	PC
20	9.084-389.0	Handle cable switch	1	PC



40 Dirt bin complete (4.055-030.0)

POS	Article no.	Description	Quantity	Unit
1	5.055-399.0	Dirt box	1	PC
2	5.055-400.0	Separator	1	PC
3	5.055-046.0	Seal separator	1	PC
4	5.332-207.0	Helical spring	1	PC
5	4.055-108.0	Dirt box cover set f.E.	1	PC



50 Water tank complete

POS	Article no.	Description	Quantity	Unit
1	5.055-048.0	Fresh water tank	1	PC
2	5.055-049.0	Fresh water tank cover	1	PC
3	4.055-112.0	Valve complete for replacement	1	PC
4	5.396-172.3	Label fresh water tank packaged FC 5	1	PC

60 Filter complete for replacement (4.055-110.0)

POS	Article no.	Description	Quantity	Unit
1	4.071-646.0	Filter sponge for replacement	1	PC
