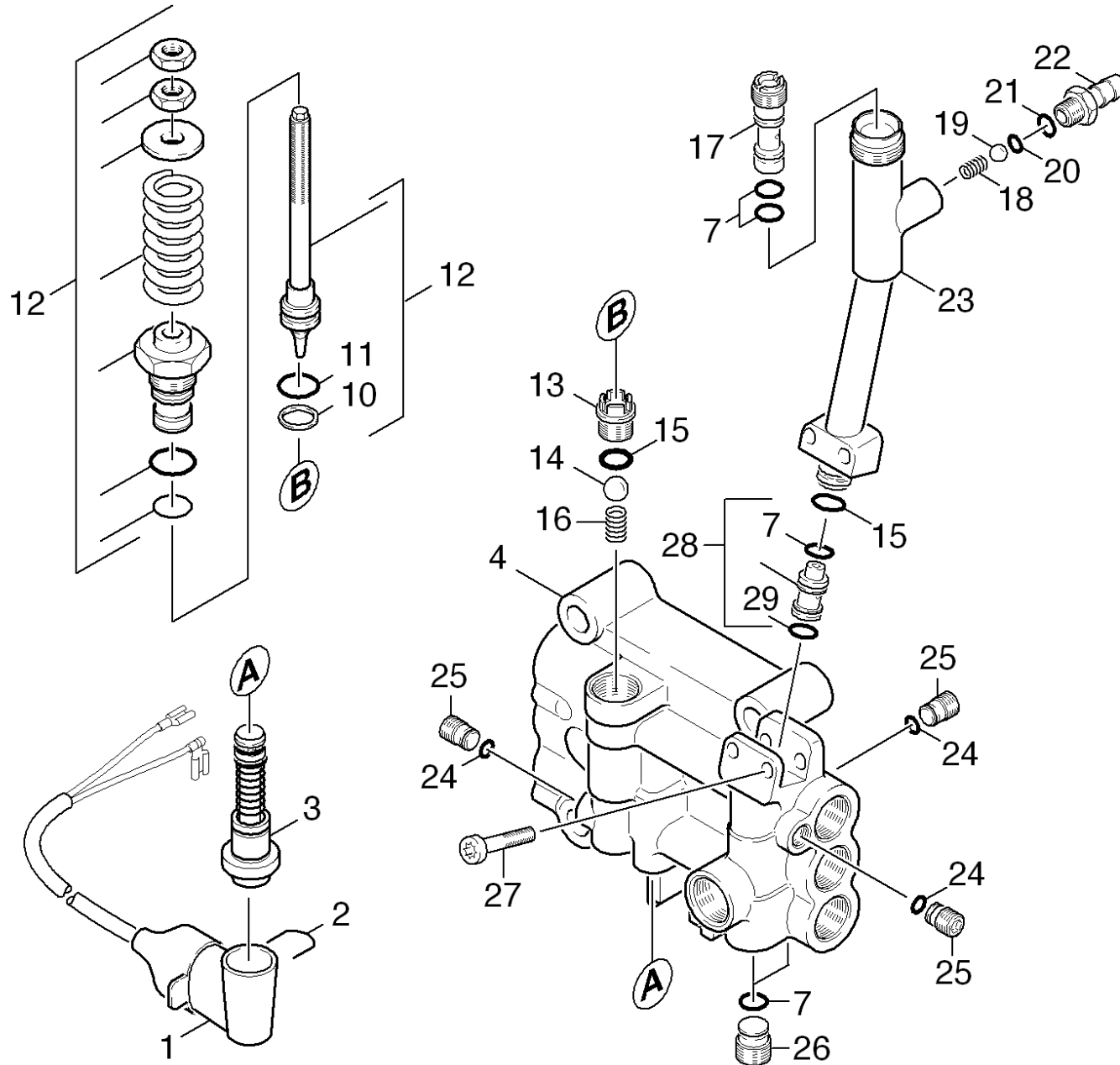


# 21 Cylinder head

Professional \ High pressure cleaner cold water \ Electric motor \ HD 10/22 S 200V 60Hz \*JP \ Spare parts list HD 10/22 \*JP \ Pump set \ Cylinder head



## 21 Cylinder head

Professional \ High pressure cleaner cold water \ Electric motor \ HD 10/22 S 200V 60Hz \*JP \ Spare parts list HD 10/22 \*JP \ Pump set \ Cylinder head



POS	Article no.	Description	Quantity	Unit	Foot note text
25	5.411-161.0	CLOSING SCREW M10X1	3.000	ST	
4	2.885-130.0	Cylinder head -nur fuer Ersatz-	1.000	ST	
16	5.332-999.0	Helical spring	1.000	ST	
18	5.332-258.0	Helical spring	1.000	ST	
23	5.427-320.0	Manifold	1.000	ST	
22	5.443-370.0	Nipple	1.000	ST	
28	4.769-000.0	Nozzle insert complete	1.000	ST	
17	5.769-082.0	Nozzle insert D2.0/ D2.7/ L38	1.000	ST	
15	6.362-151.0	O-Ring d. 10 x 2 NBR 70	2.000	ST	
20	6.363-597.0	O-Ring seal 5,28 x 1,78	1.000	ST	
21	6.362-113.0	O-Ring seal 6,0 x 2,0 NBR 70	1.000	ST	
24	6.362-703.0	O-Ring seal 6,0x1,5-NBR 70	3.000	ST	
29	6.363-282.0	O-Ring seal 6,3x2,4-NBR 70	1.000	ST	
7	6.362-384.0	O-Ring seal 9x1,5 - NBR 70	5.000	ST	
11	6.363-244.0	O-Ring seal 12.42x1.78	1.000	ST	
12	2.885-129.0	Overflow valve -nur fuer Ersatz-	1.000	ST	
100	2.883-902.0	PUMP SET HD 1095	1.000	ST	
2	5.034-494.0	Retaining bracket	1.000	ST	
27	7.306-118.0	Screw M 6x35 -8.8-R3R (In6Rd)	2.000	ST	
26	5.411-152.0	Screw plug	2.000	ST	
3	2.883-988.0	SPARE PARTS SET	1.000	ST	
14	7.401-910.0	Sphere 3/8 G80-1.4034 DIN 5401	1.000	ST	
19	7.401-908.0	Sphere 7 G300 -1.4301 DIN 5401	1.000	ST	
10	5.114-511.0	Supportring	1.000	ST	
1	4.744-239.0	Switch complete replacement	1.000	ST	USE ONLY WITH BOARD (pos.19) VERSION 2 IN GR. 5.0
1	4.744-242.0	Switch kpl. -nur für Ersatz-	1.000	ST	USE ONLY WITH BOARD (pos.19) VERSION 1 IN GR. 5.0
13	5.581-270.0	Valve seat	1.000	ST	