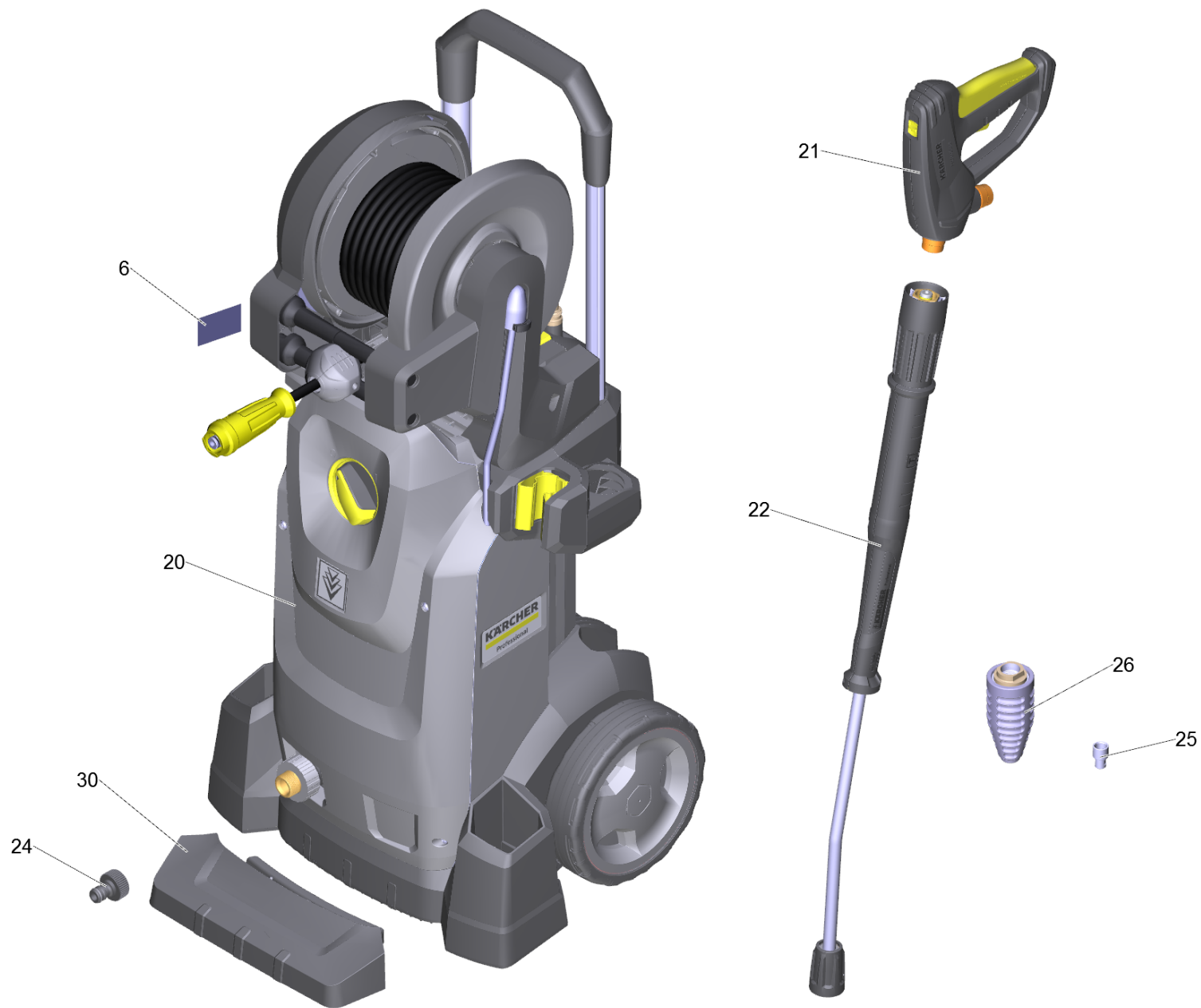


Spare parts list

(1.151-936.0) HD 7/17 MXA Plus *EU

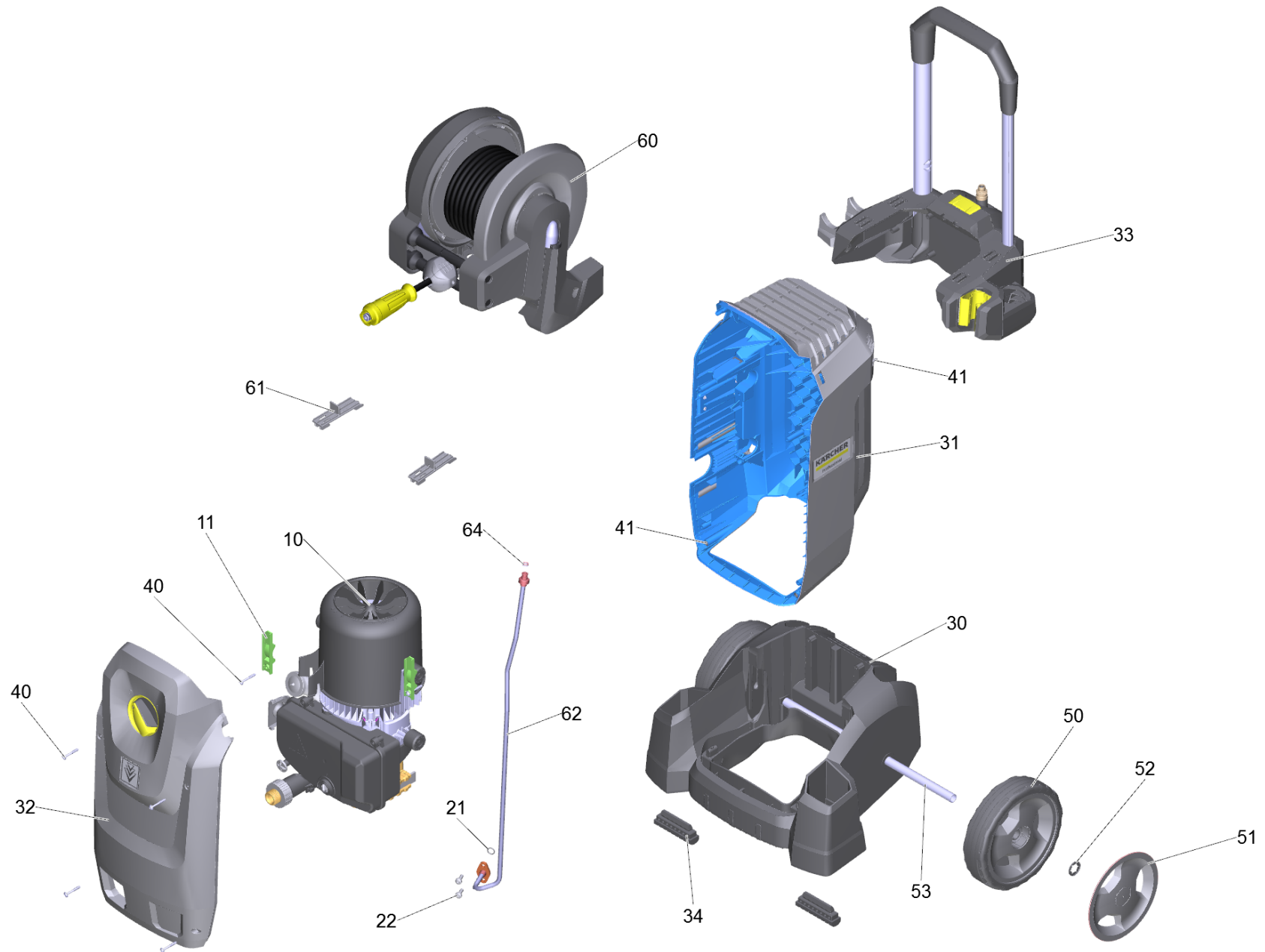
Table of contents

HD 7/17 MXA Plus *EU (1.151-936.0)	3
20 Unit HD 7/17 MXA Plus *EU	5
10 Pump set HD 7/17 M *EU (D128)	7
1 Thrust guidance	9
3 Set motor complete HD 7/17 M *EU (4.100-643.3)	11
1 Motor complete HD 7/17 M *EU (D128)	13
4 Cylinder head complete HD-M TK45 D14	15
3 Water intake complete	17
900 Pump set HD-M (2.883-069.0)	19
1 Valve (3 Stück) (2.884-916.0)	21
9 Valve pin complete (4.584-022.0)	23
32 Set cover for replacement HD-MX (4.100-633.0)	25
33 Module shearing shackle complete HD-MX	27
60 Automatic hose reel	29
90 Water connection (4.645-707.3)	31
21 EASY!Force Advanced (4.118-005.0)	33
9000 Spare part set lever (2.885-483.0)	35
22 Jet pipe TR 840 mm (4.112-006.0)	37
25 Power nozzle TR 25040 (2.113-021.0)	39
26 Dirt blaster TR 040 Prof. (4.114-041.0)	41
999 Spare part set dirt blaster 04-HD 1050 (2.883-471.0)	43



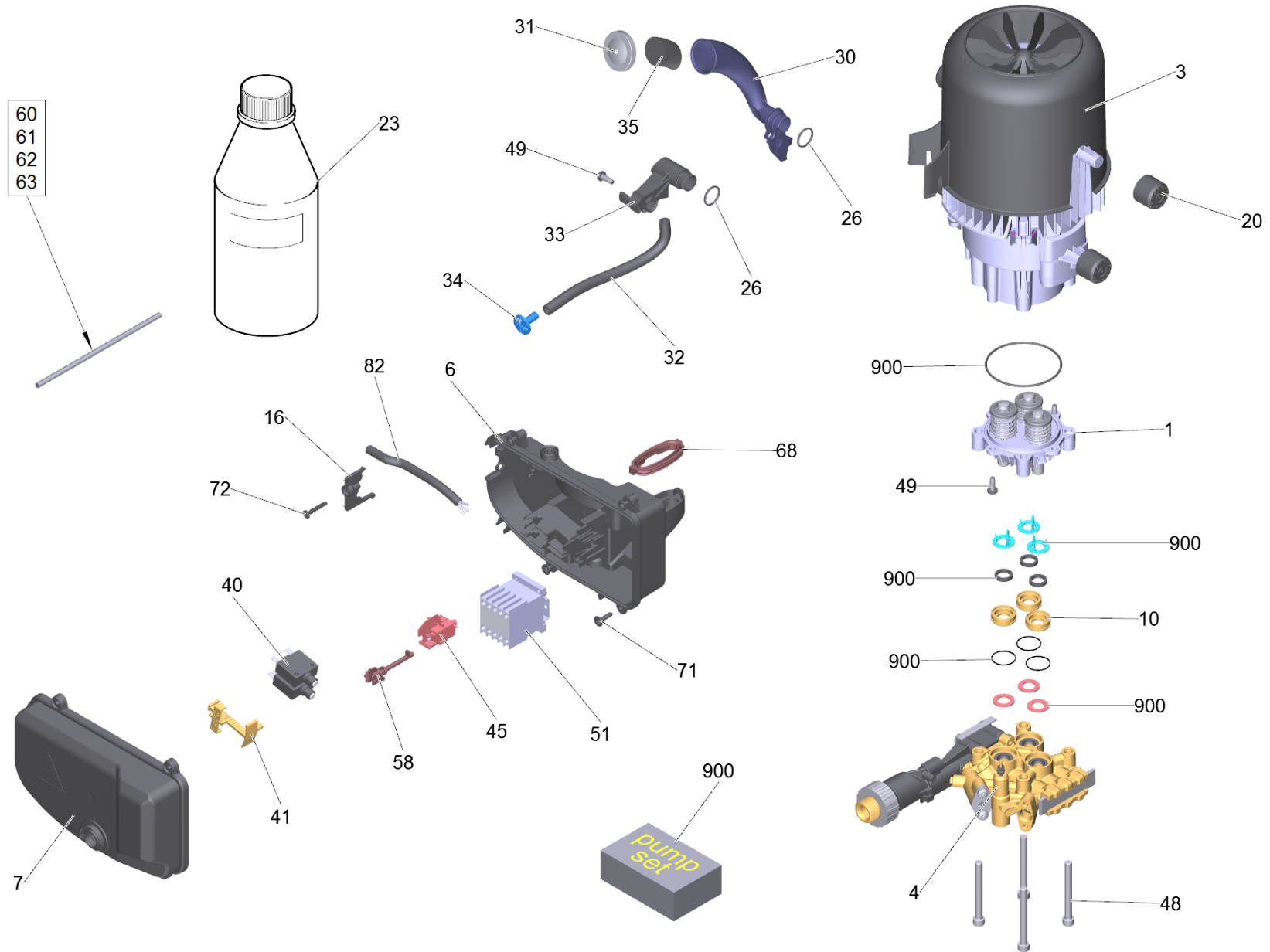
HD 7/17 MXA Plus *EU (1.151-936.0)

POS	Article no.	Description	Quantity	Unit
6	5.387-620.0	Warning sticker-Prevent from freezing	1	PC
20		Unit HD 7/17 MXA Plus *EU	1	PC
21	4.118-005.0	EASY!Force Advanced	1	PC
22	4.112-006.0	Jet pipe TR 840 mm	1	PC
24	6.465-031.0	Connection 3/4	1	PC
25	2.113-021.0	Power nozzle TR 25040	1	PC
26	4.114-041.0	Dirt blaster TR 040 Prof.	1	PC
30	4.059-302.0	Add-on kit	1	PC



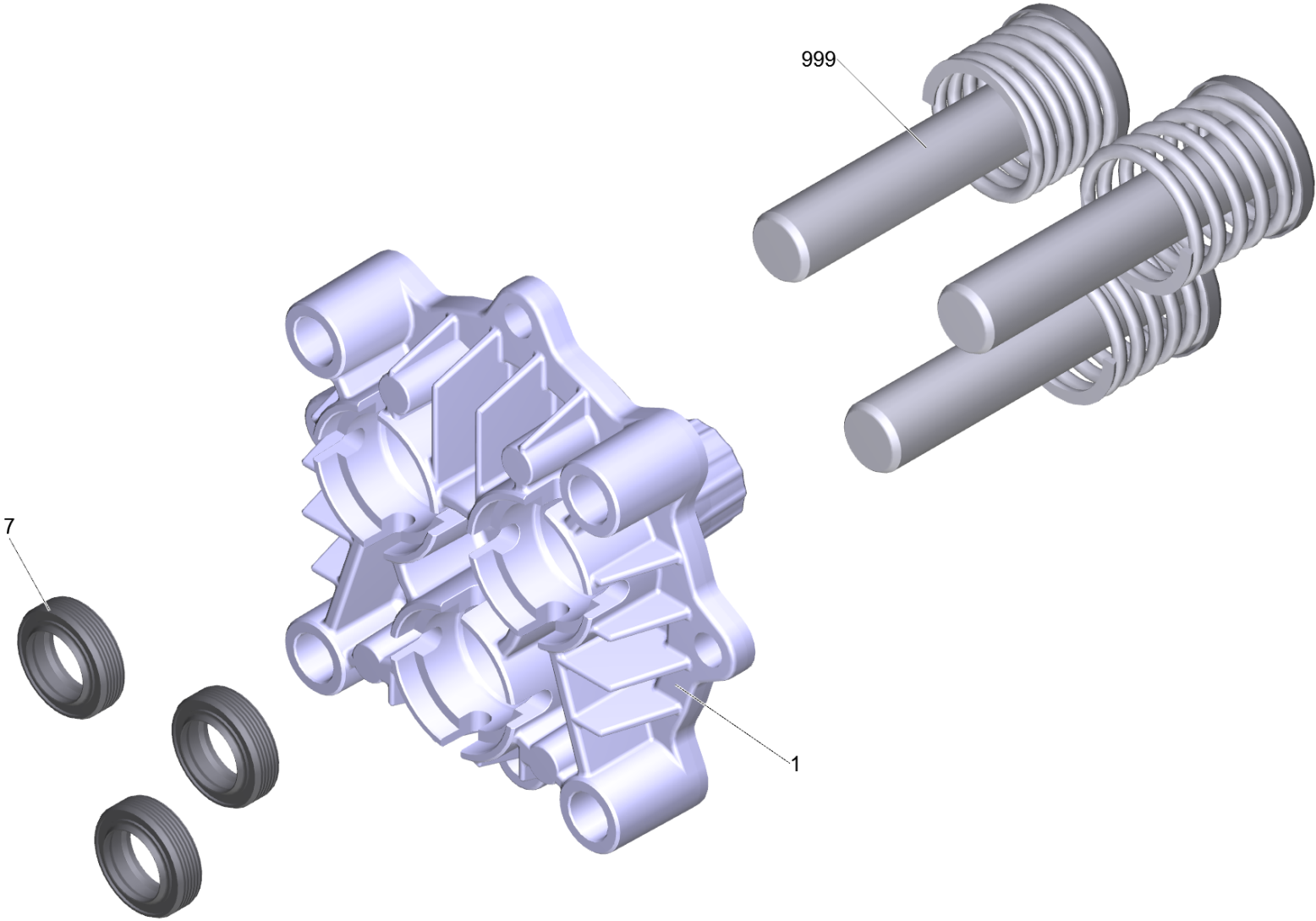
20 Unit HD 7/17 MXA Plus *EU

POS	Article no.	Description	Quantity	Unit
10		Pump set HD 7/17 M *EU (D128)	1	PC
11	5.802-288.0	Mounting part	2	PC
21	6.362-151.0	O-Ring d. 10 x 2 NBR 70	1	PC
22	7.306-090.0	Screw M6x16 -8.8-P2R (In6Rd)	2	PC
30	5.034-144.3	Chassis for replacement	1	PC
31	4.100-637.0	Set housing for replacement	1	PC
32	4.100-633.0	Set cover for replacement HD-MX	1	PC
33		Module shearing shackle complete HD-MX	1	PC
34	5.057-062.0	Support	2	PC
40	6.961-049.0	Screw	6	PC
41	7.303-108.0	Screw 5x20 -10.9-R2R (In6Rd)	10	PC
50	5.515-222.3	Wheel for replacement D205	2	PC
51	5.515-093.0	Wheel cap large RAL 7012	2	PC
52	6.343-168.0	Lock washer	2	PC
53	5.105-128.0	Axle	1	PC
60		Automatic hose reel	1	PC
61	5.034-200.3	Mounting part for replacement	2	PC
62	4.423-166.0	Pipelines complete HD 6/15 MX AHR	1	PC
64	4.363-691.0	O-Ring seal kpl. -nur fuer Ersatz-	1	PC



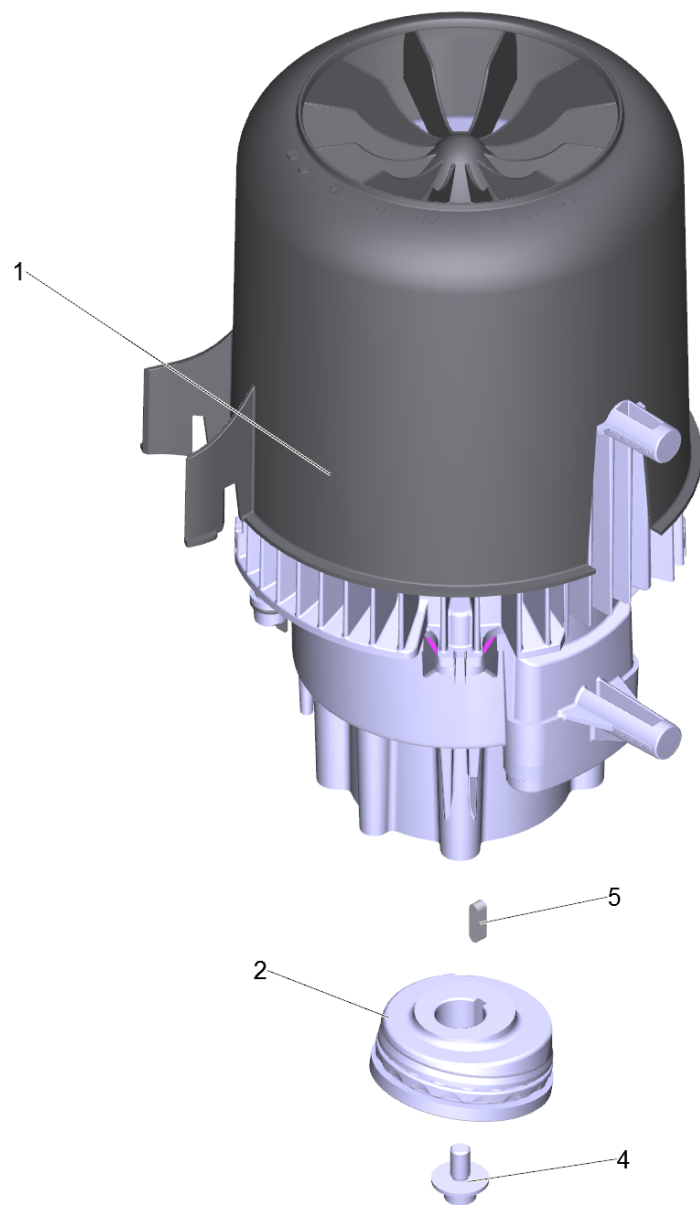
10 Pump set HD 7/17 M *EU (D128)

POS	Article no.	Description	Quantity	Unit
1		Thrust guidance	1	PC
3	4.100-643.3	Set motor complete HD 7/17 M *EU	1	PC
4		Cylinder head complete HD-M TK45 D14	1	PC
6	5.811-139.0	Electric box	1	PC
7	5.064-430.0	Cover electric box	1	PC
10	5.112-576.3	Bush	3	PC
16	5.263-003.0	Tensioning part	1	PC
20	5.767-005.0	Rubber buffer	4	PC
23	6.288-016.0	Gear oil 1L	1	PC
26	6.362-161.0	O-Ring seal 19,3 X 2,4	2	PC
30	5.070-176.0	Oil container	1	PC
31	5.064-454.0	Cover qusty grey	1	PC
32	6.389-610.0	Hose fuel	205	m
33	5.443-029.0	Hose stem drain hose oil	1	PC
34	5.443-030.0	Blind plug drain hose oil	1	PC
35	5.132-187.0	Plug	1	PC
40	6.630-994.3	Safety switch (15A)	2	PC
41	5.045-071.0	Slider E-T-A	1	PC
45	6.961-079.3	Micro switch	1	PC
48	7.306-242.0	Cylinder head screw M8x75-8.8-A2E ISO 4	4	PC
49	7.303-047.0	Screw M6x16 -St-R3R (In6Rd)	3	PC
51	6.632-173.0	Contactora 4,0KW/400V	1	PC
58	5.100-990.0	Selector shaft electric box 68mm	1	PC
60	6.641-027.0	Cable 1x1,5mm ² SW/BK	220	m
61	6.649-023.0	Receptacles for tabs 6,3-1,5	1	PC
62	6.641-027.0	Cable 1x1,5mm ² SW/BK	250	m
63	6.649-026.0	Receptacles for tabs 6,3-1,5	1	PC
68	5.363-761.0	Seal label	1	PC
71	6.303-125.0	Screw 5x20-Sonder In6Rd+Spitze	5	PC
72	7.303-086.0	Screw 5x30 -10.9-R2R (K-In6Rd)	1	PC
82	6.650-656.3	Cable with plug for replacement *EU	1	PC
900	2.883-069.0	Pump set HD-M	1	PC



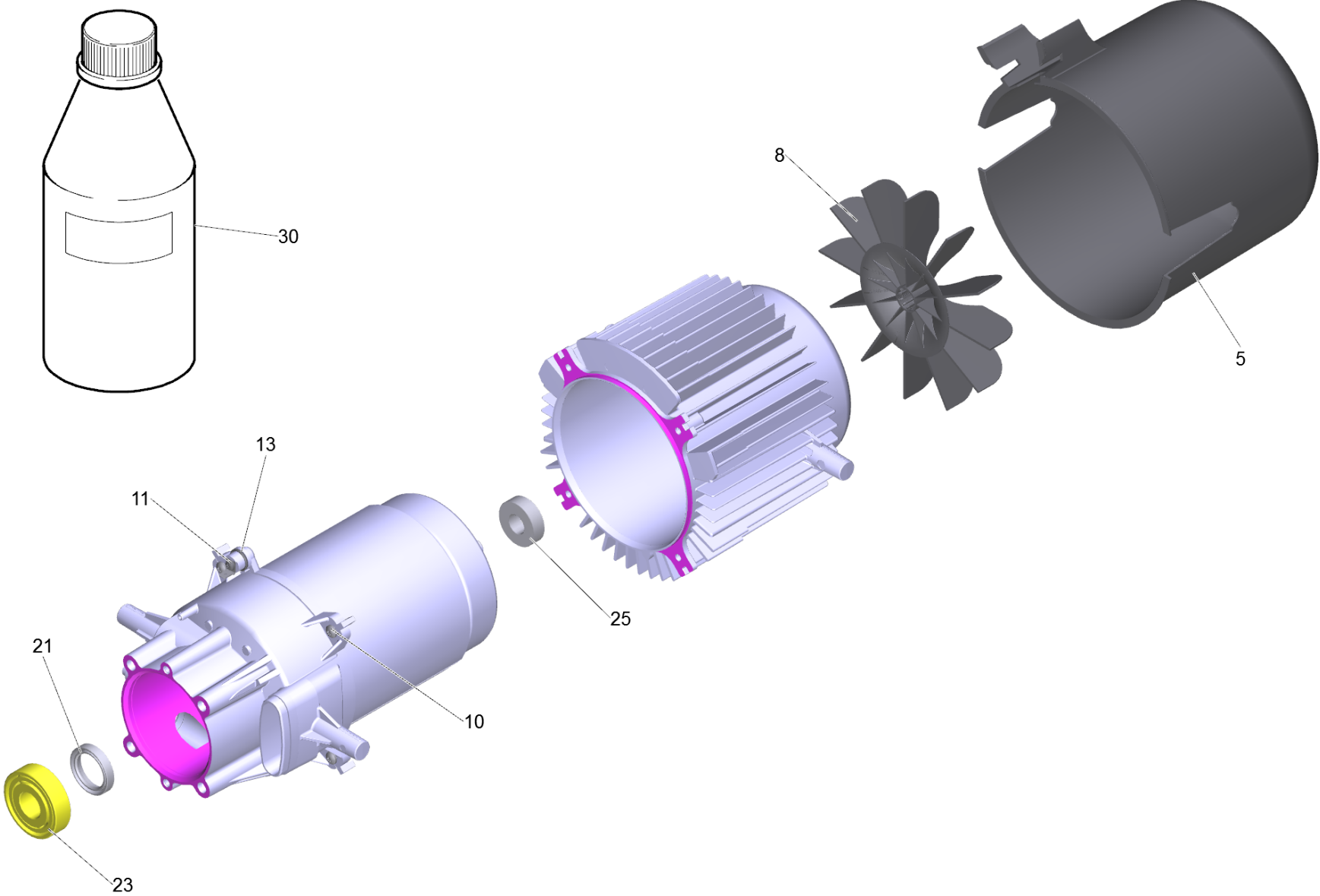
1 Thrust guidance

POS	Article no.	Description	Quantity	Unit	Foot note text
1	5.062-754.3	Thrust guidance	1	PC	
6	6.288-050.0	Engine oil 1L	1	PC	
7	6.365-340.0	Grooved ring 14X22X5/7	3	PC	
999	4.553-242.0	Piston complete	3	PC	Piston blank



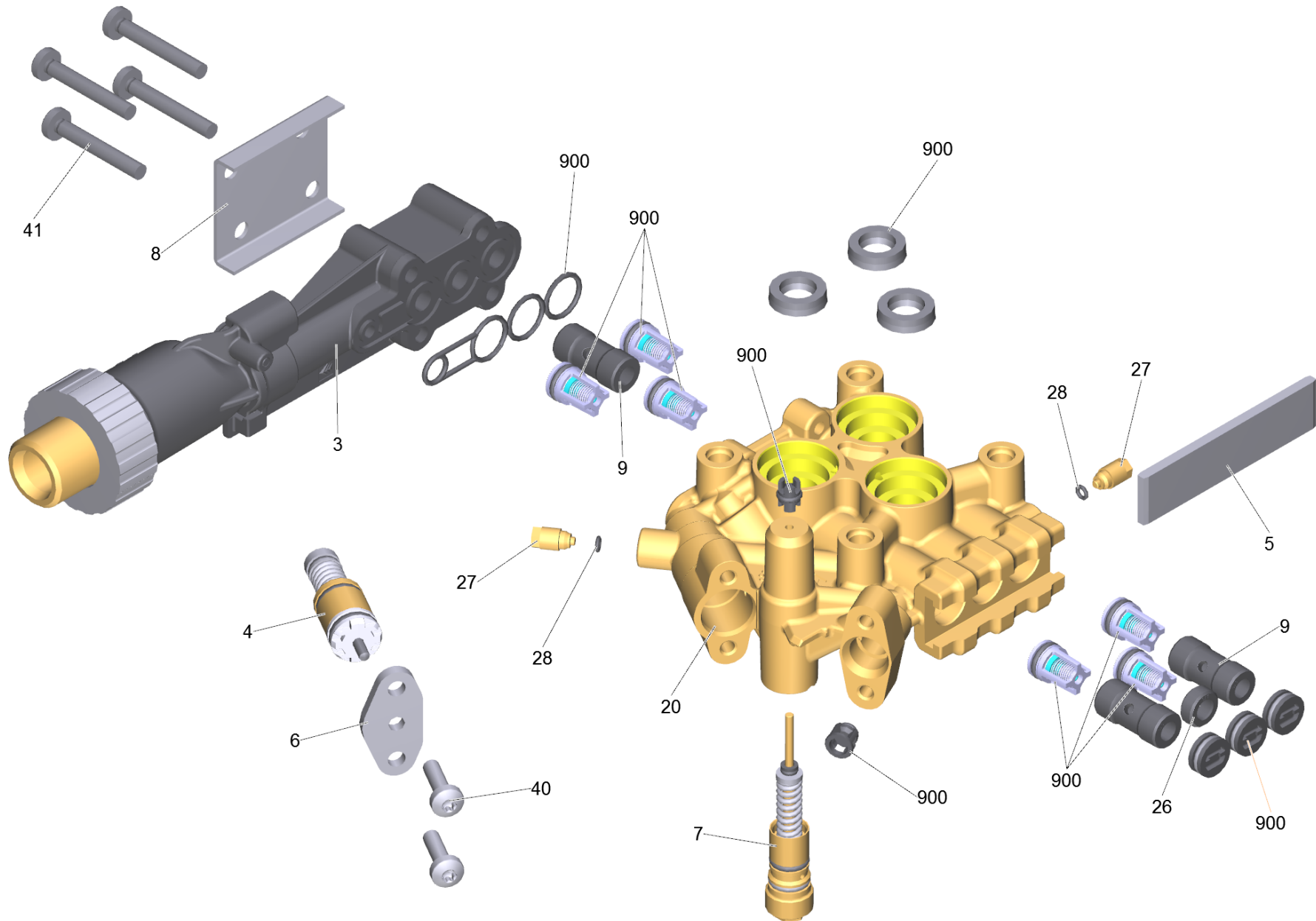
3 Set motor complete HD 7/17 M *EU (4.100-643.3)

POS	Article no.	Description	Quantity	Unit
1		Motor complete HD 7/17 M *EU (D128)	1	PC
2	4.120-213.0	Wobble plate	1	PC
4	9.086-169.0	Wobble plate screw M8x16	1	PC
5	7.318-003.0	Parallel key A 5x5x18-C45K DIN 6885-1	1	PC
901	2.100-052.0	Special tool motor HD-M	1	PC



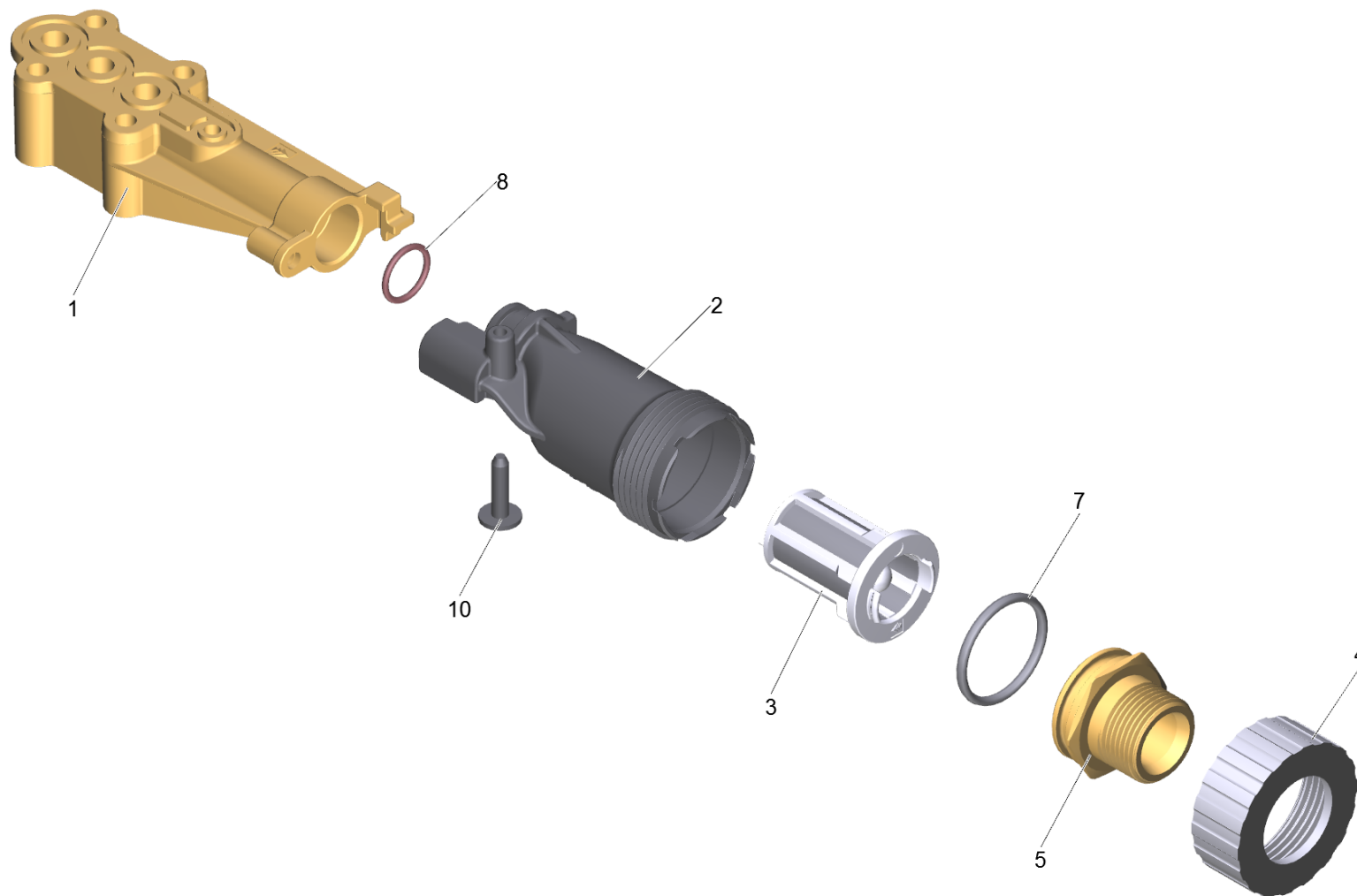
1 Motor complete HD 7/17 M *EU (D128)

POS	Article no.	Description	Quantity	Unit
5	5.692-006.0	Air circulation D128	1	PC
8	5.600-105.0	Blower wheel	1	PC
10	6.303-320.0	Screw M 5x 20-St-R2R	4	PC
11	7.303-031.0	Screw M4x10 -St-P2R (In6Rd)	1	PC
13	6.362-381.0	O-Ring seal 13x2 - NBR 70	1	PC
21	7.367-024.0	Radial shaft seal ring A26x37x7 -FKM DIN	1	PC
23	6.401-427.3	Angular contact ball bearing	1	PC
25	7.401-128.0	Ball bearing 6202-2RS -Wälzl.St DIN 625	1	PC
30	6.288-050.0	Engine oil 1L	1	PC



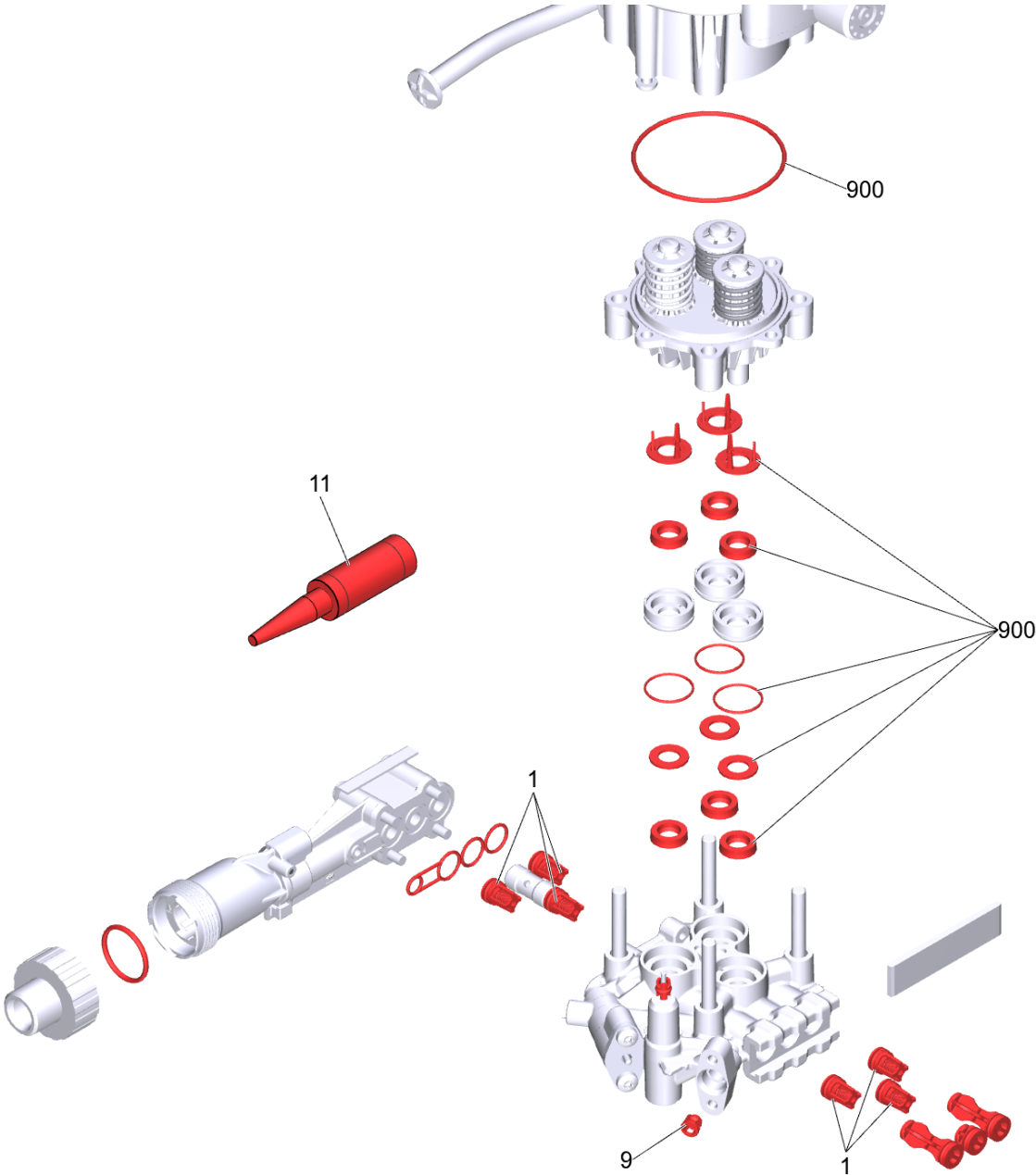
4 Cylinder head complete HD-M TK45 D14

POS	Article no.	Description	Quantity	Unit
3		Water intake complete	1	PC
4	4.580-792.3	Excess-current complete for replacement	1	PC
5	5.003-062.0	Plate	1	PC
6	5.093-067.0	Cover plate	1	PC
7	4.580-104.3	Control piston complete D14	1	PC
8	5.005-314.0	Plate suction cover	1	PC
9	4.100-824.0	Spare parts set plug cpl. 36mm	2	PC
11	5.110-079.0	Spacer brass D14,5 x 30	1	PC
20	5.550-027.3	Cylinder head complete for replacement	1	PC
26	4.100-825.0	Spare parts set plug cpl. 12mm	1	PC
27	5.443-024.3	Plug for replacement	2	PC
28	6.362-984.0	O-Ring d. 3 x 1,5 NBR 80	2	PC
40	7.306-090.0	Screw M6x16 -8.8-P2R (In6Rd)	2	PC
41	7.306-129.0	Screw M6x40 -8.8-P2R (In6Rd)	4	PC
900		Part at pump set	1	PC



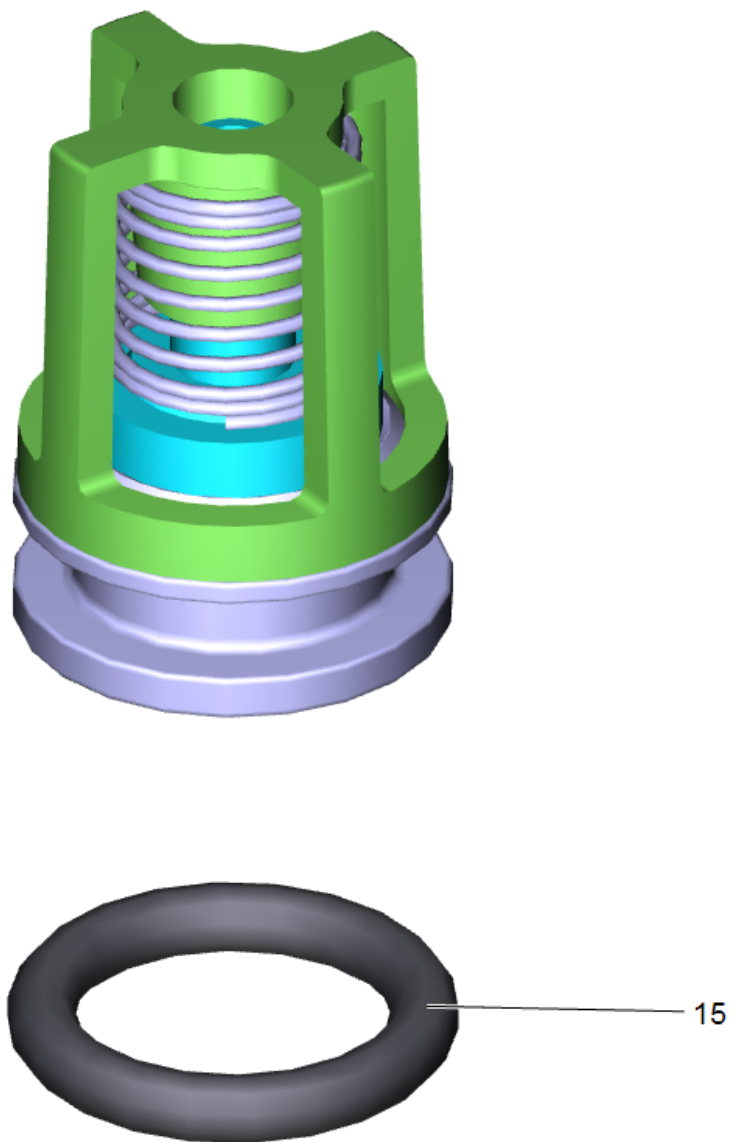
3 Water intake complete

POS	Article no.	Description	Quantity	Unit
1	5.064-230.0	Suction cover	1	PC
2	5.045-246.0	Water intake cranked	1	PC
3	5.731-059.0	Filter cartridge with cone (mesh 100)	1	PC
4	5.064-465.0	Nut water intake	1	PC
5	5.064-517.0	Connection piece water intake G 3/4 A	1	PC
7	6.363-437.0	O-Ring seal 30x3	1	PC
8	6.362-481.0	O-Ring seal 14,0 x 2,0 NBR 80	1	PC
10	6.303-125.0	Screw 5x20-Sonder In6Rd+Spitze	1	PC



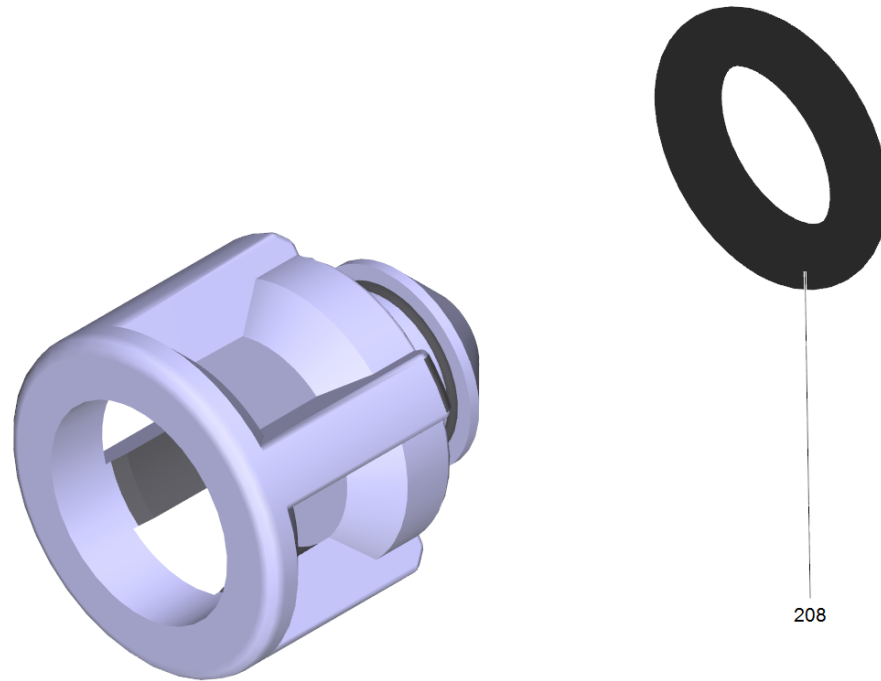
900 Pump set HD-M (2.883-069.0)

POS	Article no.	Description	Quantity	Unit
1	2.884-916.0	Valve (3 Stück)	2	PC
9	4.584-022.0	Valve pin complete	1	PC
11	6.288-072.0	Silicon grease	1	PC
900	4.100-771.0	Set of gaskets	1	PC



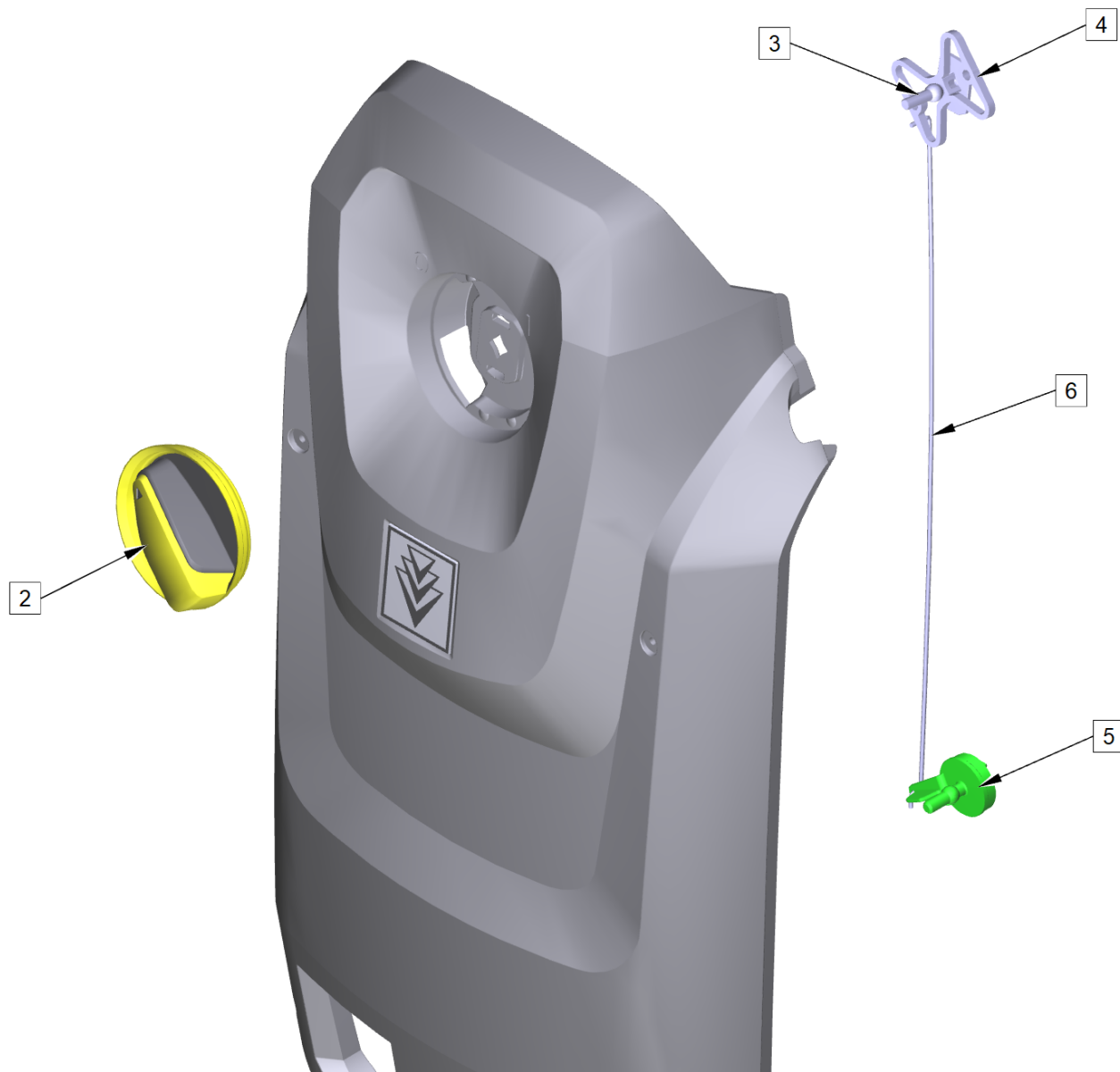
1 Valve (3 Stück) (2.884-916.0)

POS	Article no.	Description	Quantity	Unit
15	6.362-077.0	O-Ring seal 10 x 2,2 NBR 70	1	PC



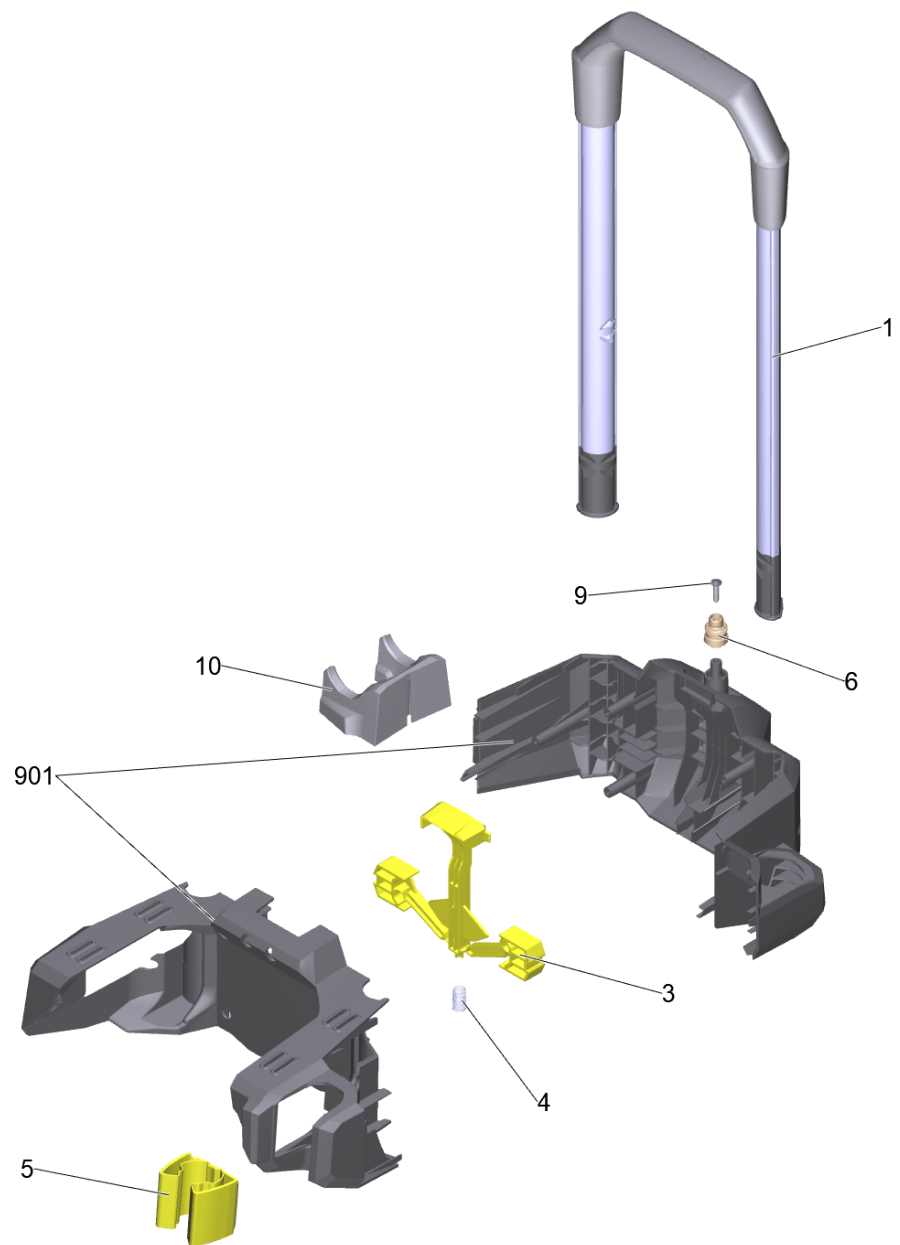
9 Valve pin complete (4.584-022.0)

POS	Article no.	Description	Quantity	Unit
208	6.363-613.0	O-Ring seal 4 x 2 -NBR90	1	PC



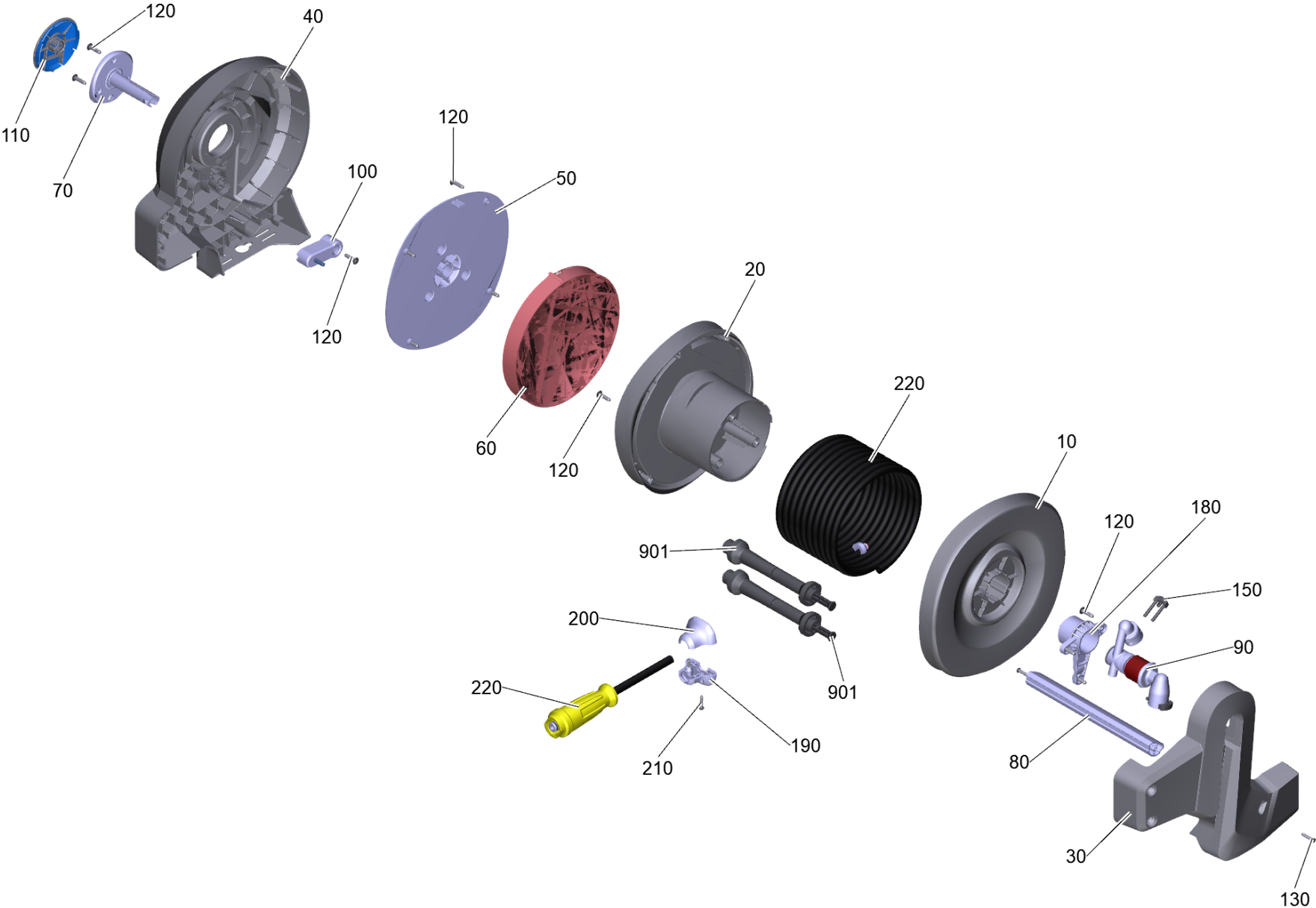
32 Set cover for replacement HD-MX (4.100-633.0)

POS	Article no.	Description	Quantity	Unit
2	5.324-187.0	Handle	1	PC
3	5.034-241.0	Axle handle	1	PC
4	5.105-693.0	Spring tripping segment	1	PC
5	5.645-870.0	Deflection switch	1	PC
6	5.034-175.0	Switch rod	1	PC



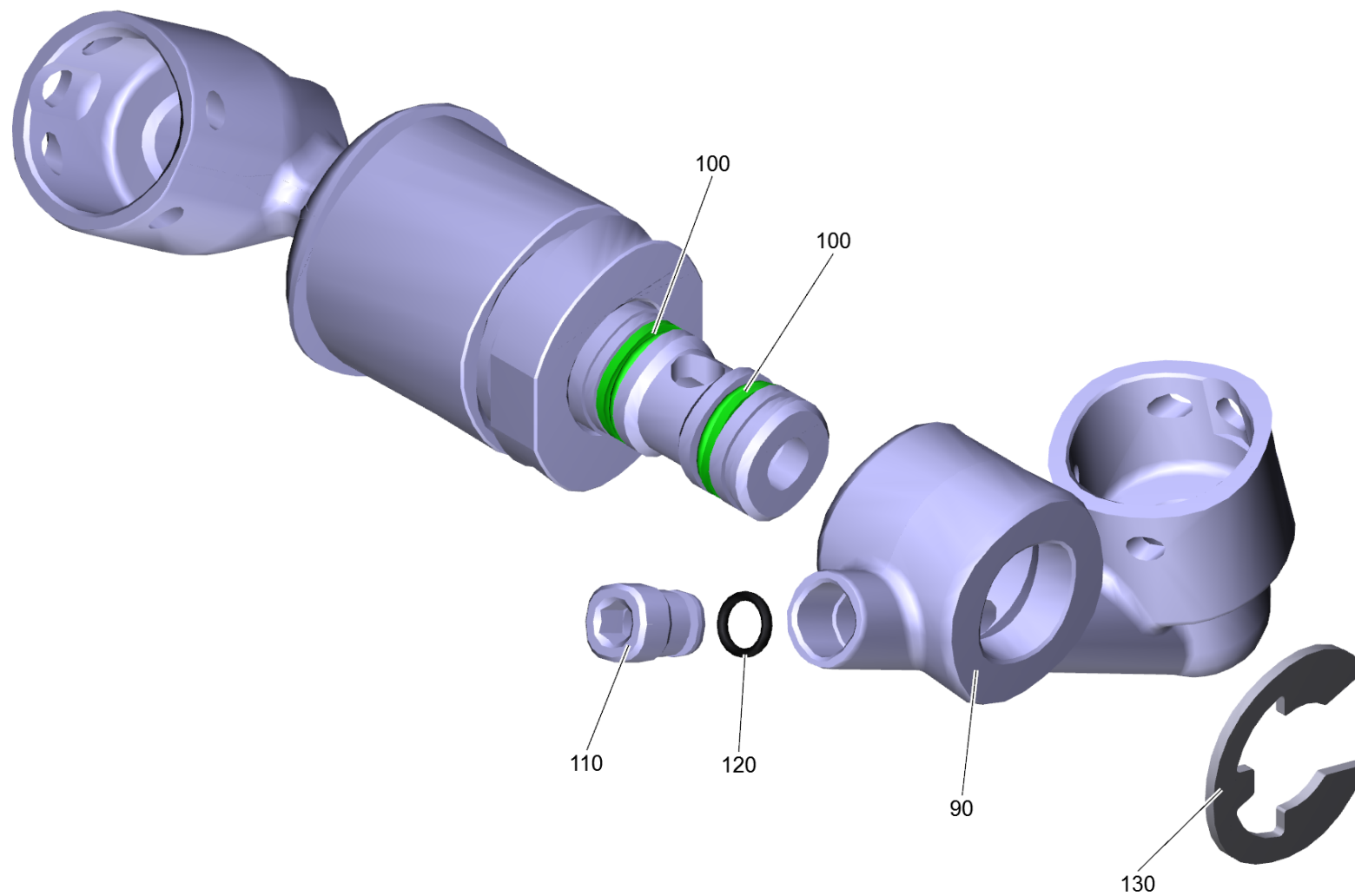
33 Module shearing shackle complete HD-MX

POS	Article no.	Description	Quantity	Unit
1	4.034-049.3	Handhold complete for replacement HD-MX	1	PC
3	5.034-170.0	Locking part	1	PC
4	5.332-001.0	Helical spring	1	PC
5	5.645-938.0	Holder jet pipe	1	PC
6	5.646-035.0	Retainer accessories	1	PC
9	7.303-108.0	Screw 5x20 -10.9-R2R (In6Rd)	1	PC
10	5.034-230.3	Homebase foam nozzle for replacement HD-M	1	PC
901	4.034-266.3	Holder complete HD-M	1	PC



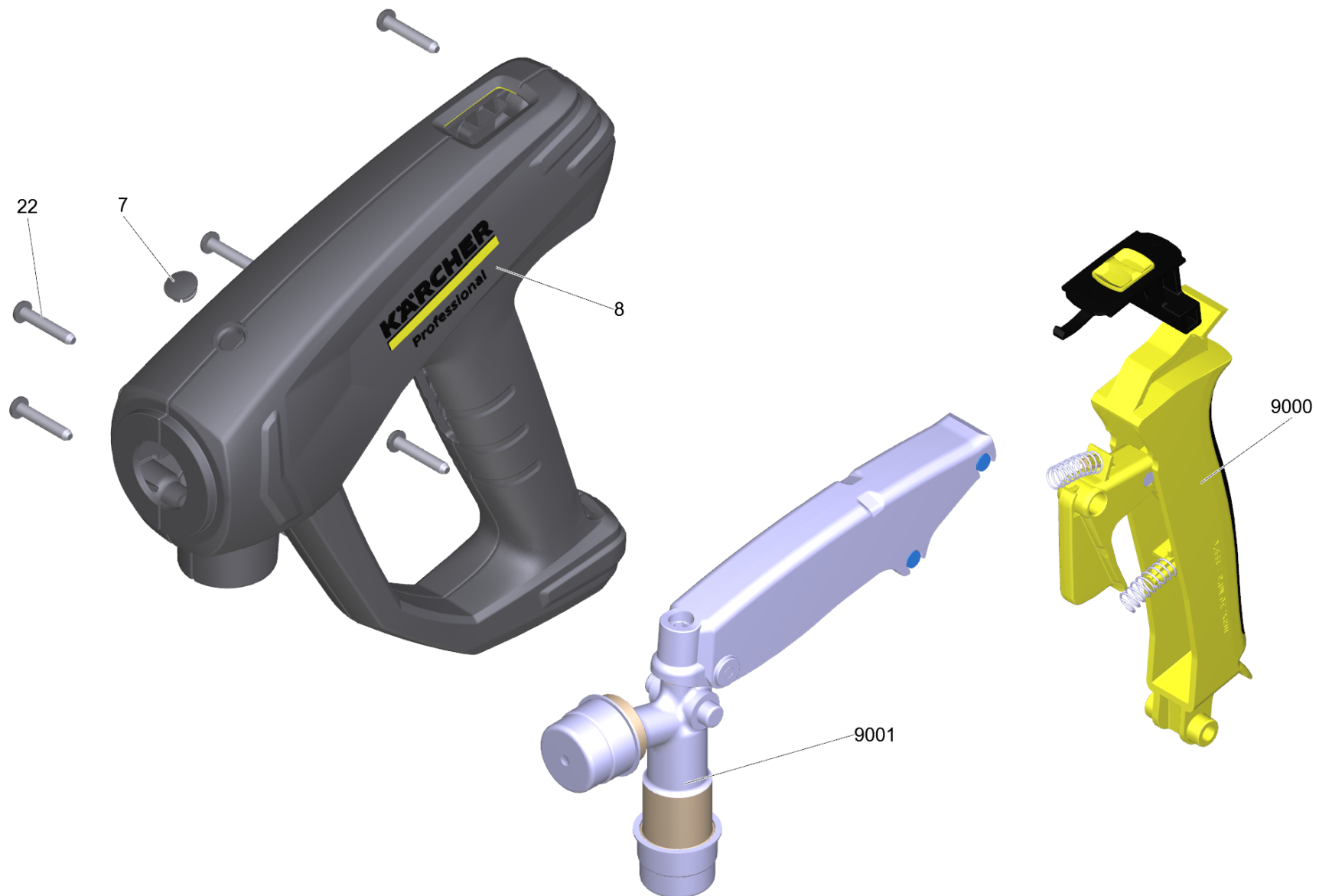
60 Automatic hose reel

POS	Article no.	Description	Quantity	Unit
10	5.776-049.3	Hose reel right	1	PC
20	5.776-050.3	Hose reel Left	1	PC
30	5.776-051.3	Hose reel holder right	1	PC
40	5.776-052.3	Hose reel holder left	1	PC
50	5.646-053.3	Spring cover	1	PC
60	6.269-007.0	Power spring 25x0,55x9500	1	PC
70	5.646-054.0	Reel support left	1	PC
80	5.034-210.3	Tube trolley for replacement HD-M X	1	PC
90	4.645-707.3	Water connection	1	PC
100	4.269-019.3	Locking pin	1	PC
110	5.132-020.3	Cover	1	PC
120	7.303-108.0	Screw 5x20 -10.9-R2R (In6Rd)	16	PC
130	6.303-566.0	Screw 4,2x22 R2R	2	PC
150	4.037-013.0	Hook	2	PC
180	5.064-524.0	Rotary union support	1	PC
190	5.646-055.0	Hose stop right DN6	1	PC
200	5.646-056.0	Hose stop left DN6	1	PC
210	6.303-318.0	Screw 3,5x12-10.9-R2R (IN6RD)	2	PC
220	6.110-080.0	Hose assembly TR rotatable DN6 27MPa 15m	1	PC
901	4.100-757.0	Spare parts set hose guide complete	2	PC



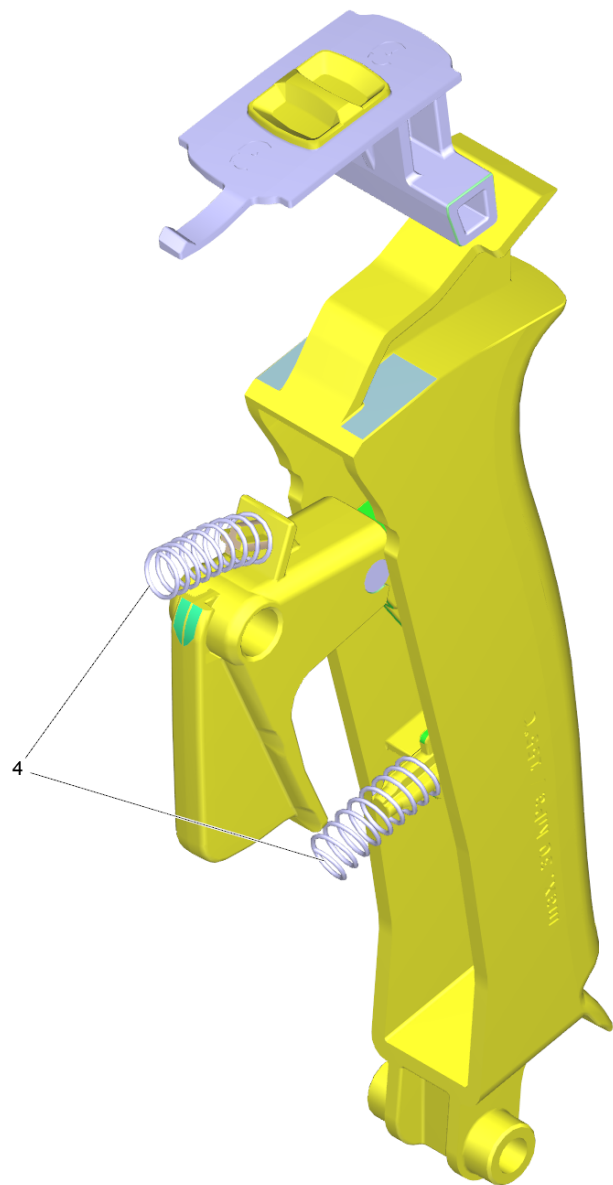
90 Water connection (4.645-707.3)

POS	Article no.	Description	Quantity	Unit
90	5.427-059.0	Manifold	1	PC
100	6.362-575.0	O-Ring seal 12,42 KOMPL	2	PC
110	5.411-161.0	CLOSING SCREW M10X1	1	PC
120	6.362-703.0	O-Ring seal 6,0x1,5-NBR 70	1	PC
130	7.343-304.0	Lock washer 15 -A2 DIN 6799	1	PC



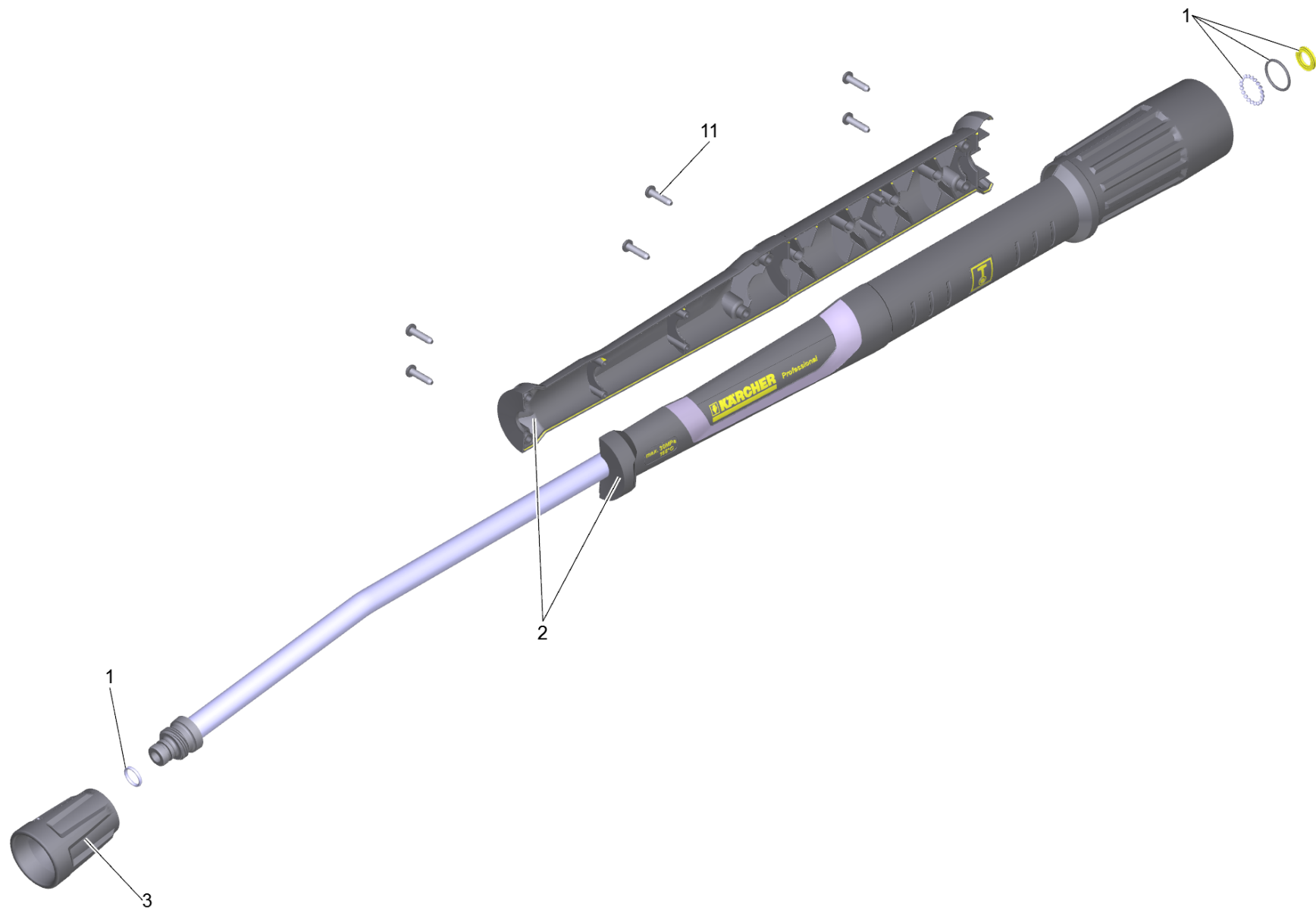
21 EASY!Force Advanced (4.118-005.0)

POS	Article no.	Description	Quantity	Unit
7	5.132-001.0	Plug	1	PC
8	5.321-136.3	Handhold few EH 155 only for replacement	1	PC
22	7.303-096.0	Screw 4x22-ST-10.9-R2R (IN6RD)	7	PC
9000	2.885-483.0	Spare part set lever	1	PC
9001	4.427-014.0	Manifold TR EH 155 nur fuer Ersatz	1	PC



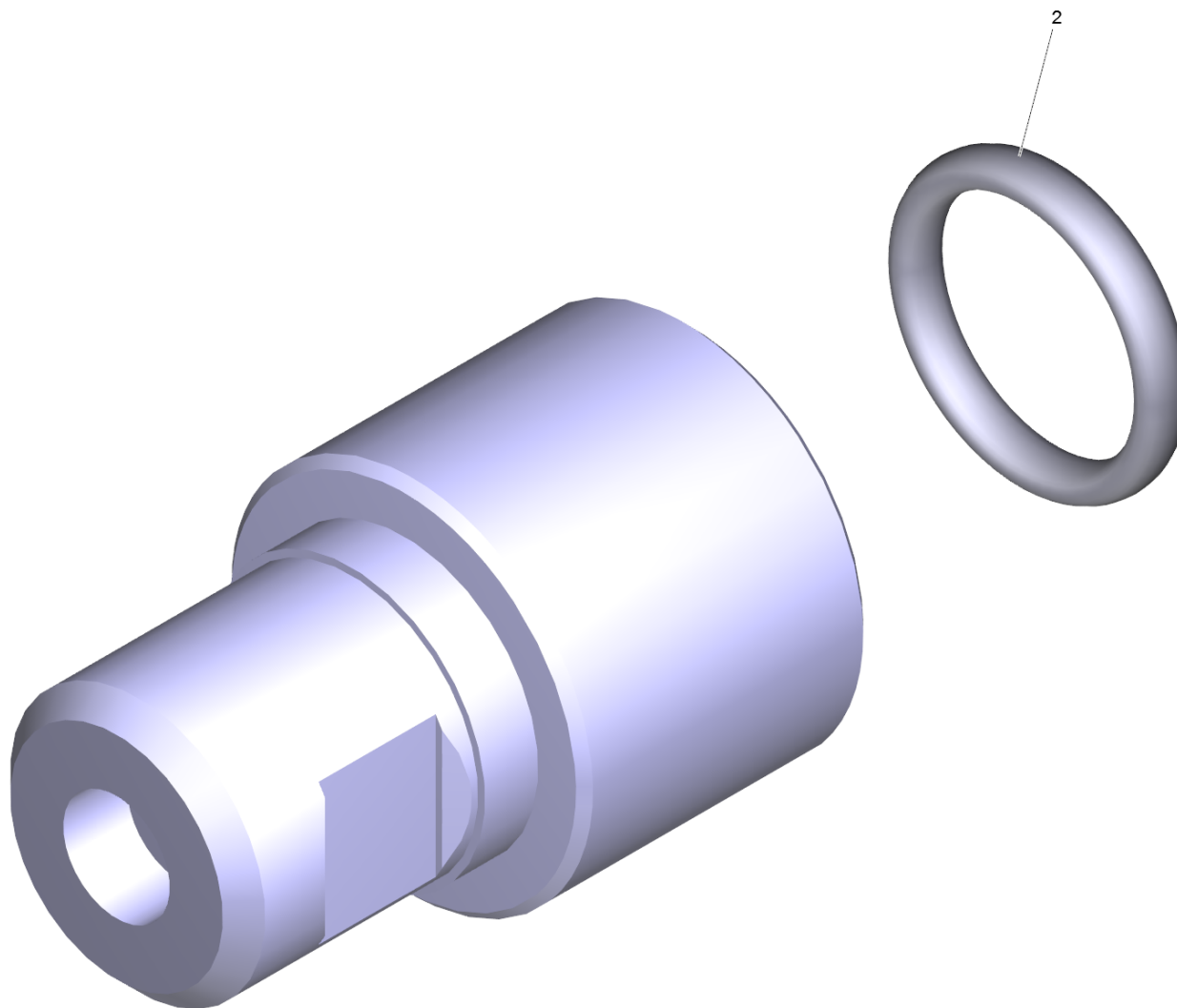
9000 Spare part set lever (2.885-483.0)

POS	Article no.	Description	Quantity	Unit
4	5.332-178.0	Helical spring	2	PC



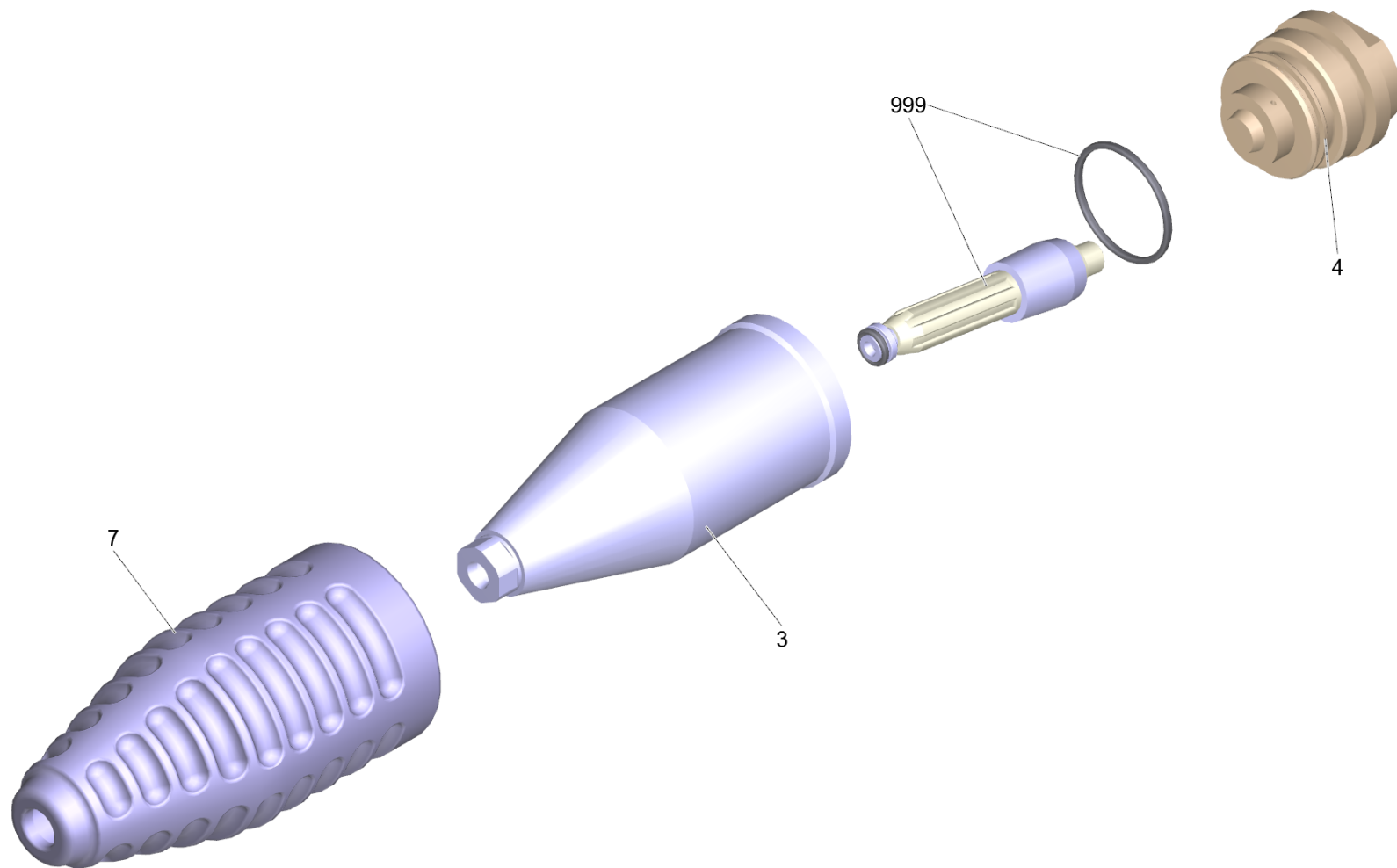
22 Jet pipe TR 840 mm (4.112-006.0)

POS	Article no.	Description	Quantity	Unit
1	4.100-688.0	Spare part set seal TR	1	PC
2	5.321-018.3	Handle bowl jet pipe only for replacemen	1	PC
3	4.112-011.0	Protection part TR only for replacement	1	PC
11	7.303-129.0	Screw 4x16-10.9-R2R (K-In6Rd)	6	PC



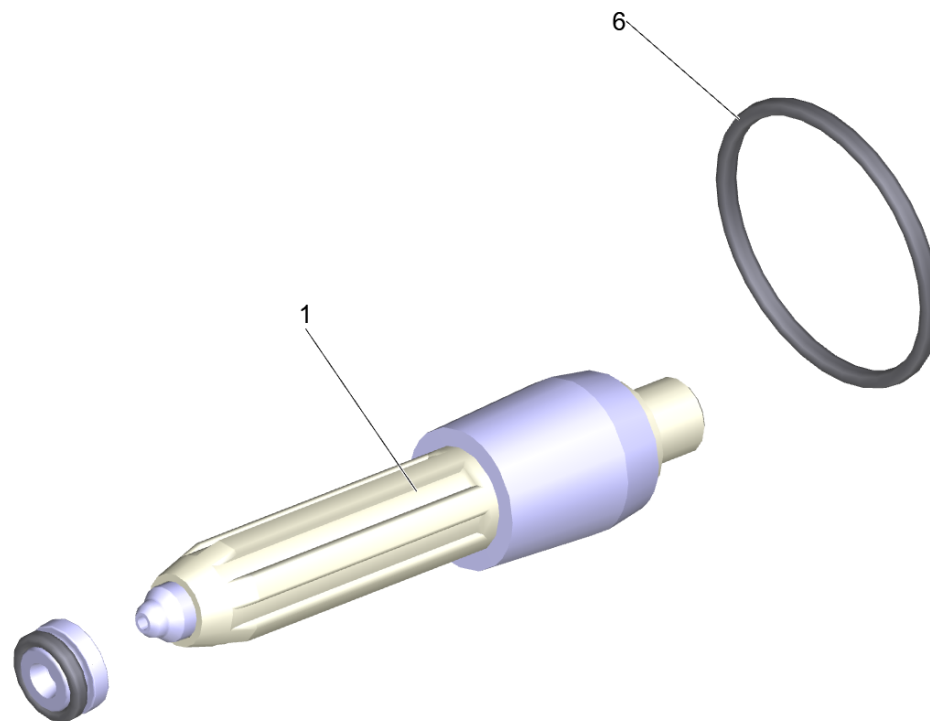
25 Power nozzle TR 25040 (2.113-021.0)

POS	Article no.	Description	Quantity	Unit
2	2.880-001.0	Spare part set seals TR	1	PC



26 Dirt blaster TR 040 Prof. (4.114-041.0)

POS	Article no.	Description	Quantity	Unit
3	5.060-500.3	Housing	1	PC
4	5.111-570.0	Cover dirt blaster TR 040 Prof.	1	PC
7	5.111-566.0	Protection part dirt blaster TR	1	PC
999	2.883-471.0	Spare part set dirt blaster 04-HD 1050	1	PC



999 Spare part set dirt blaster 04-HD 1050 (2.883-471.0)

POS	Article no.	Description	Quantity	Unit
1	4.762-122.0	Rotor complete 04	1	PC
6	6.362-463.0	O-Ring seal 28,0 X 2,0-NBR 78	1	PC