

Spare parts list (1.180-150.0) K 4 *EU

Table of contents

K 4 *EU (1.180-150.0)	4
Short spare parts list	5
201 Spare parts list K4 Classic (5.971-759.0)	7
10 Housing	8
16 Wheel set replacement 160 Hummer (4.515-282.0)	10
20 Pump set	12
21 Housing	14
11 head pump wcm spare part (9.001-999.0)	16
22 Housing	18
11 head pump wcm spare part (9.001-999.0)	20
23 Housing	22
6 pressure piston HR (spare) (9.002-028.0)	24
11 head pump wcm spare part (9.001-999.0)	26
24 Thrust guidance	28
30 Motor	30
31 Motor	31
32 Motor	33
40 Accessories	35
41 Hand trigger gun	36
G 160 Q pistol Quick Connect (2.642-172.0)	38
42 High pressure hose	40
1 H 9 Q high pressure hose Quick Connect (2.641-721.0)	42
43 Vario-Power Jet pipe	44
44 Dirt blaster	46
2 Dirt blaster 031 St - CEM 14,5MPa (4.764-281.0)	48
45 Brush Best	50
1 WB 100 washing brush (2.643-236.0)	52
46 Foam nozzle	54
47 Surface cleaner	56
1 Single-step jet pipe extension (2.643-240.0)	58
7 Spare parts nozzles T-Racer (2.643-338.0)	60
48 Surface cleaner	63
1 Single-step jet pipe extension (2.643-240.0)	65
3 Bearing support kpl.	67
1 Adapter complete	69
40 Accessories	71
41 G 180 Q Trigger gun Quick Connect (2.642-889.0)	72
42 H 9 Q high pressure hose Quick Connect (2.641-721.0)	74

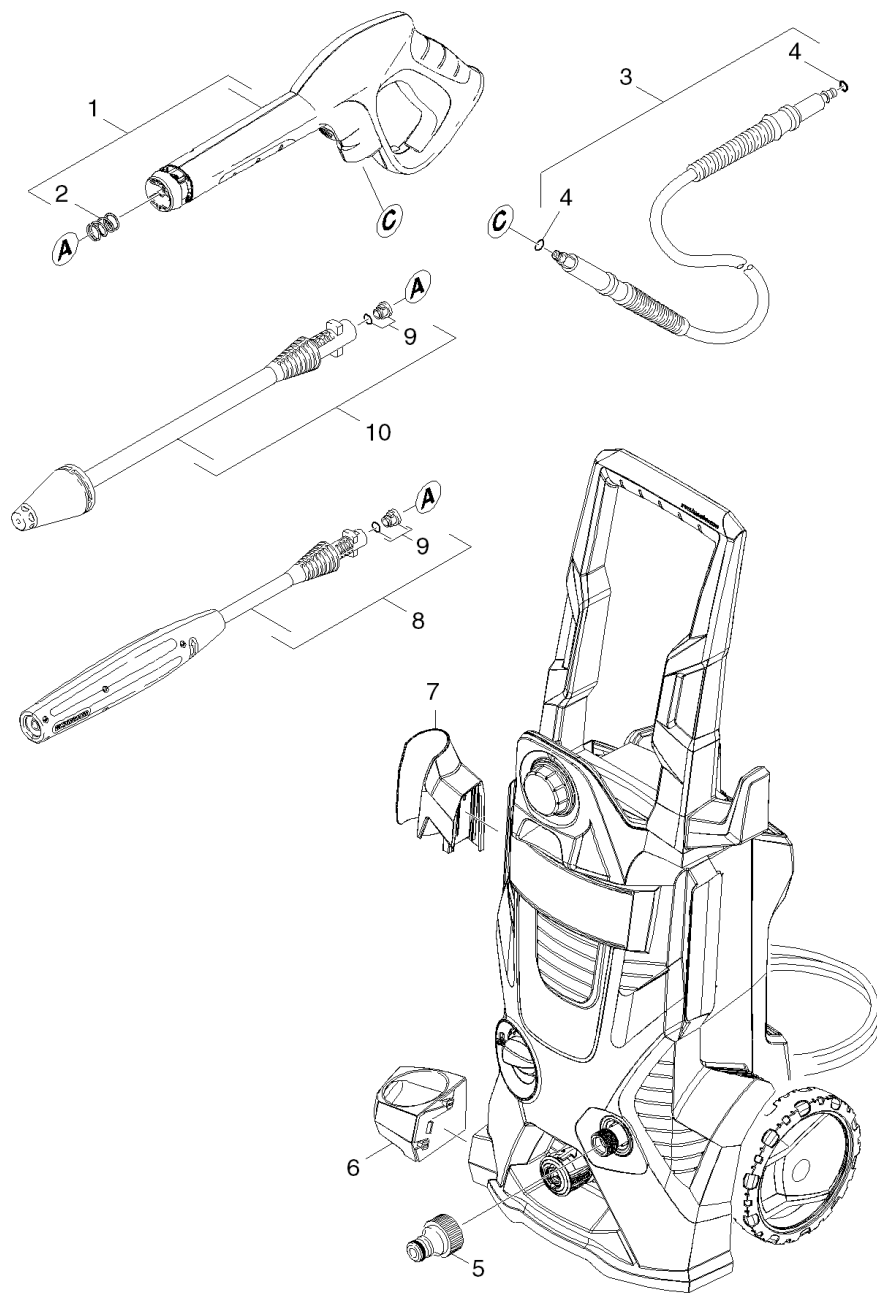
Table of contents

43 VP 145 Vario Power Jet (packaged) (2.642-725.0)	76
44 DB 145 Dirt Blaster (packaged) (2.642-728.0)	78
50 Electric box	80
spare part ebox 9013-3800 (9.002-397.0)	82

K 4 *EU (1.180-150.0)

POS	Article no.	Description	Quantity	Unit
0		Short spare parts list	1.000	ST
201	5.971-759.0	Spare parts list K4 Classic	1.000	ST

Short spare parts list

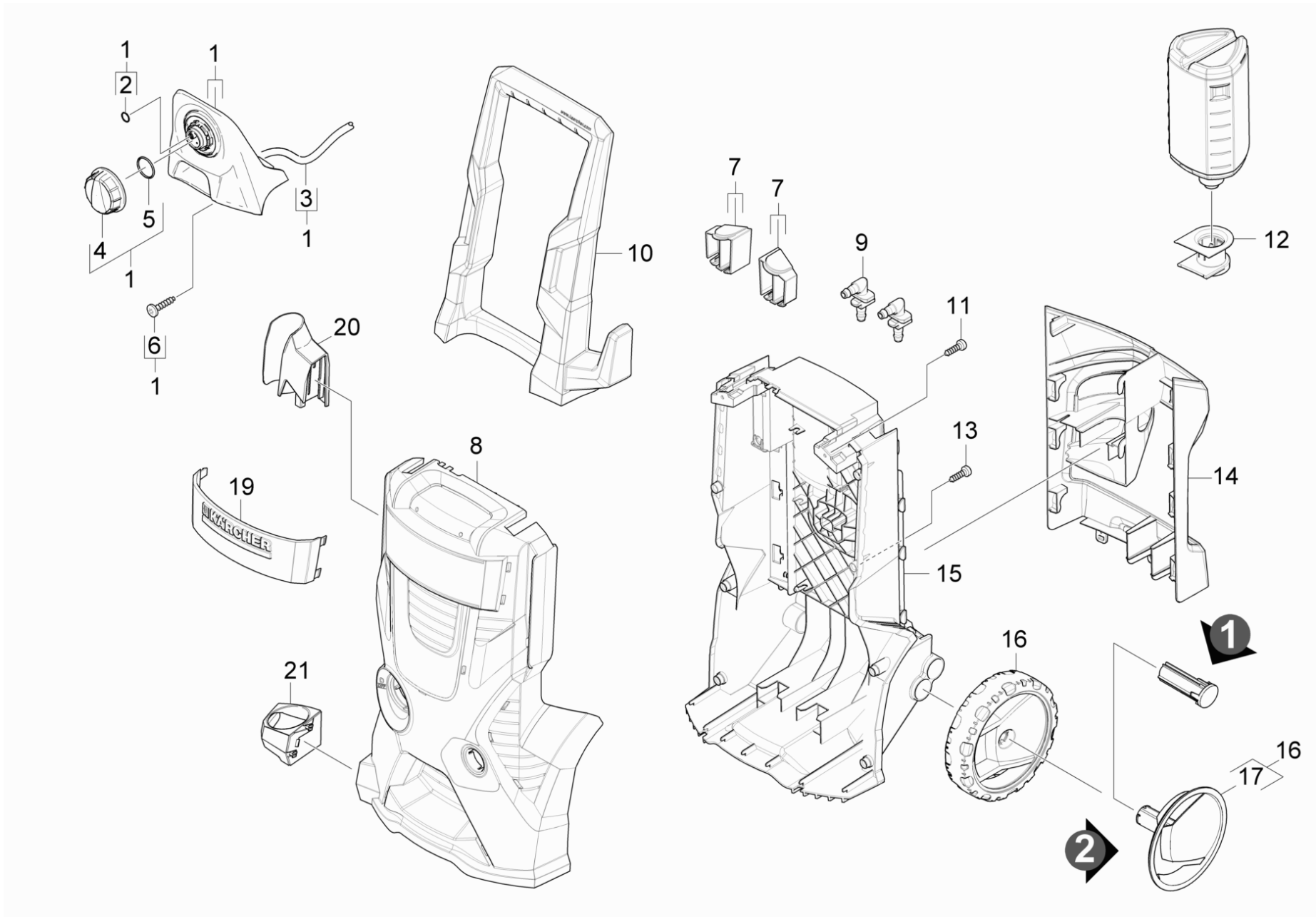


Short spare parts list

POS	Article no.	Description	Quantity	Unit
5	6.465-031.0	Connection 3/4	1.000	ST
10	9.012-483.0	Dirt blaster 033 CEM max.14MPa	1.000	ST
1	2.642-172.0	G 160 Q pistol Quick Connect	1.000	ST
3	2.641-721.0	H 9 Q high pressure hose Quick Connect	1.000	ST
7	9.037-618.0	Holder pistol above	1.000	ST
6	9.037-619.0	Holder pistol bottom	1.000	ST
4	6.363-410.0	O-Ring seal 5,7x1,78 NBR 90Shore	2.000	ST
9	2.640-729.0	O-Ring seal set	2.000	ST
2	5.332-464.0	Pressure spring	1.000	ST
8	4.760-534.0	VPS K3 0287 K	1.000	ST

201 Spare parts list K4 Classic (5.971-759.0)

POS	Description	Quantity	Unit	Foot note text
40	Accessories	1.000	ST	VERSION 2
40	Accessories	1.000	ST	VERSION 1
50	Electric box	1.000	ST	
10	Housing	1.000	ST	
30	Motor	1.000	ST	
20	Pump set	1.000	ST	



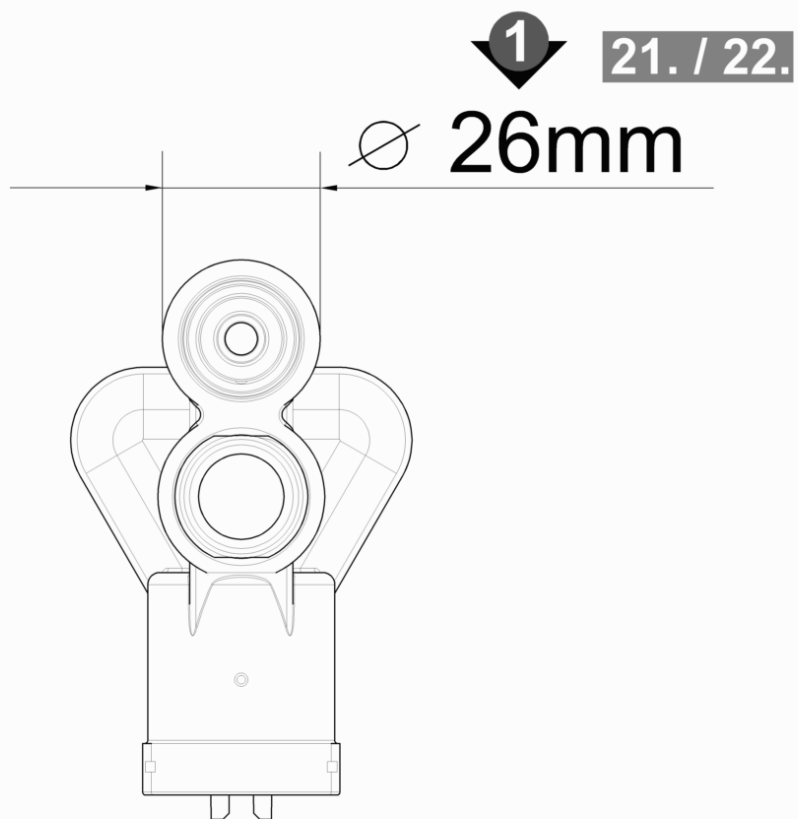
10 Housing

POS	Article no.	Description	Quantity	Unit	Foot note text
19	9.001-766.0	Covering cap complete silver	1.000	ST	
8	9.037-634.0	Cover Modular	1.000	ST	
4	9.037-621.0	Handhold chemistry	1.000	ST	
10	9.037-625.0	Handhold Compact	1.000	ST	
14	9.038-023.0	Holder accessories EU-USA	1.000	ST	
20	9.037-618.0	Holder pistol above	1.000	ST	
21	9.037-619.0	Holder pistol bottom	1.000	ST	
3	6.390-426.0	Hose DN 5	1.000	M	TO ORDER AS CUT GOODS
15	9.037-871.0	Housing rear WCM Modular	1.000	ST	
9	9.037-861.0	Nipple 90° Mod.Range	2.000	ST	
2	6.363-018.0	O-Ring seal 4X2	1.000	ST	
5	6.362-522.0	O-Ring seal 24,0 X 2,0	1.000	ST	
12	9.012-681.0	RM retainer station	1.000	ST	
17	4.515-289.0	Screen yellow replacement 160 Hummer	1.000	ST	SET OF 2 PIECES
6	9.086-203.0	Screw 4x22	2.000	ST	
11	9.086-203.0	Screw 4x22	2.000	ST	
13	9.086-221.0	Screw ATF 4.1x22	8.000	ST	
7	9.001-743.0	Set covering cap	1.000	ST	
1	2.885-283.0	Spare parts set hook hose	1.000	ST	
16	4.515-282.0	Wheel set replacement 160 Hummer	1.000	ST	SET OF 2 PIECES



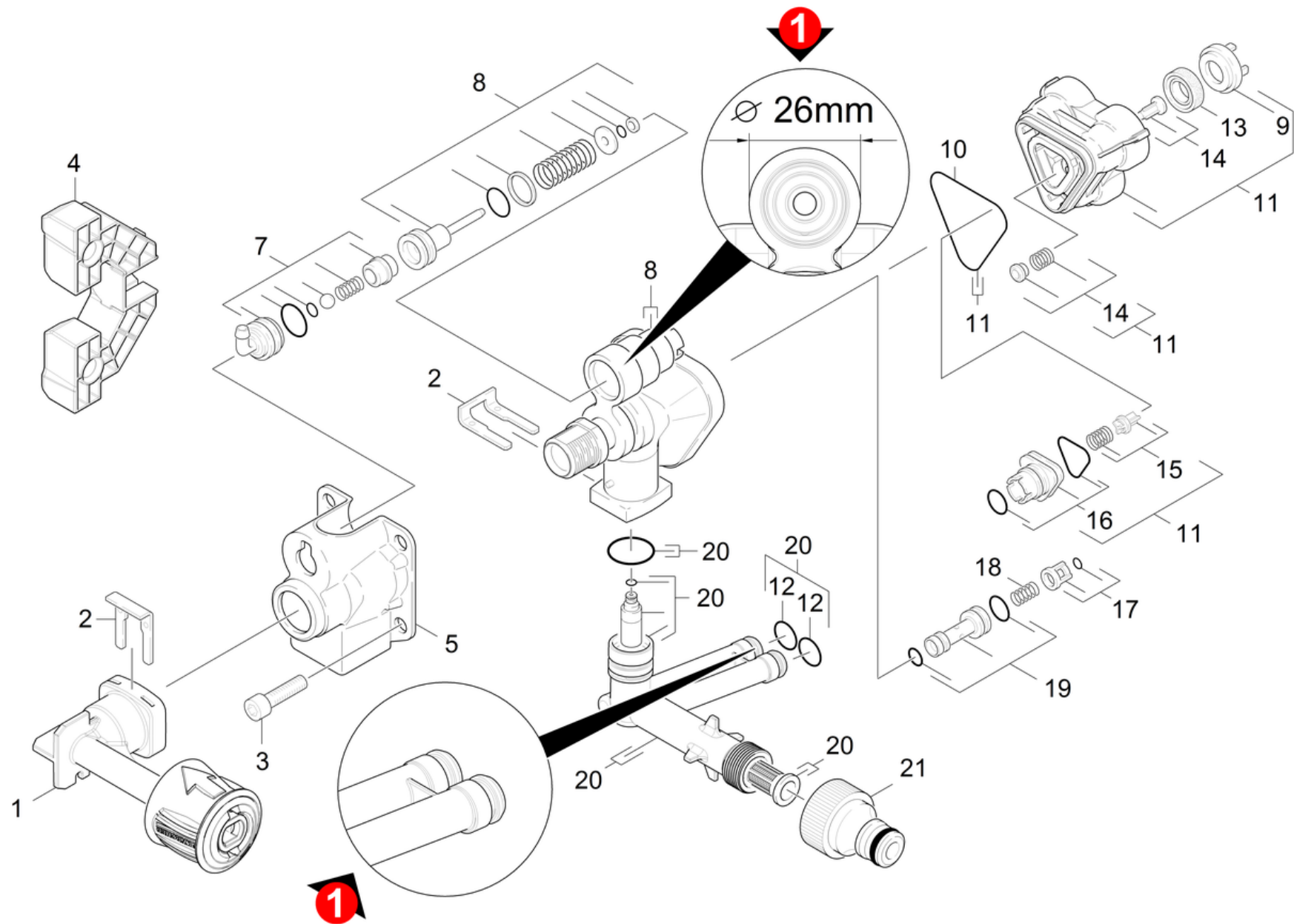
16 Wheel set replacement 160 Hummer (4.515-282.0)

POS	Article no.	Description	Quantity	Unit
2	4.515-289.0	Screen yellow replacement 160 Hummer	2.000	ST



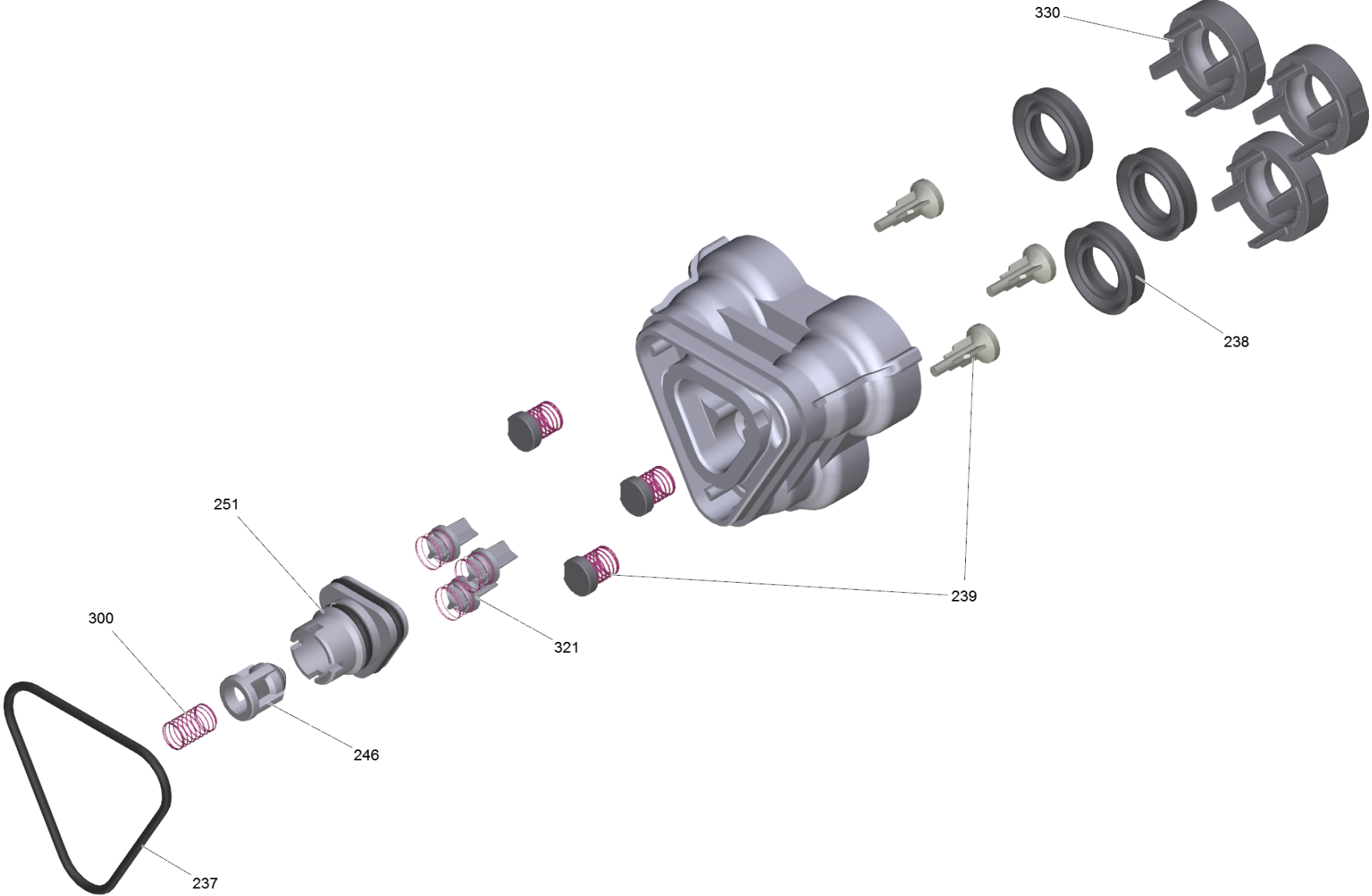
20 Pump set

POS	Description	Quantity	Unit	Foot note text
23	Housing	1.000	ST	VERSION 3
22	Housing	1.000	ST	VERSION 2
21	Housing	1.000	ST	VERSION 1
24	Thrust guidance	1.000	ST	



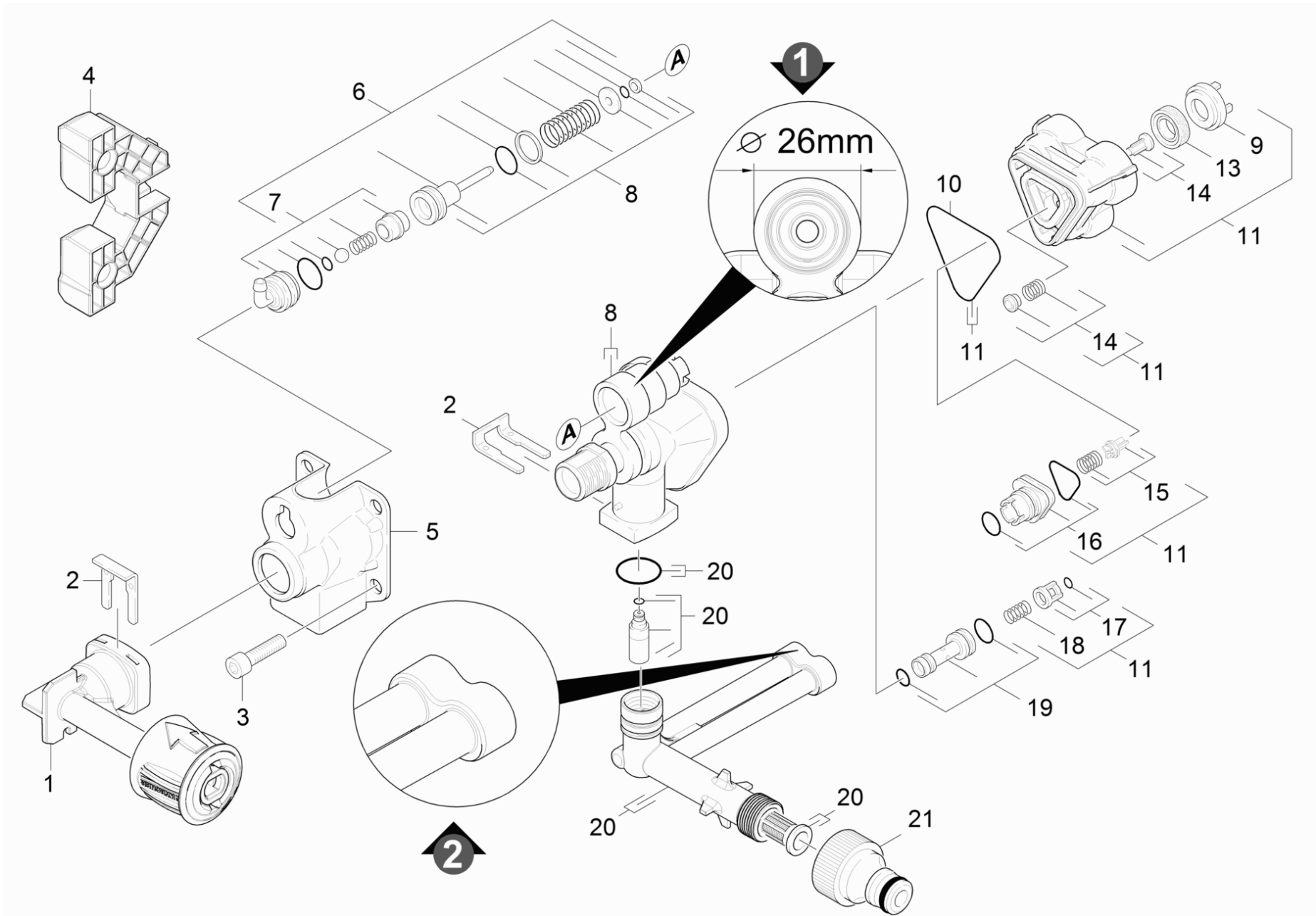
21 Housing

POS	Article no.	Description	Quantity	Unit	Foot note text
4	9.037-673.0	Bracket pump (bridge)	1.000	ST	
17	9.001-107.0	Cage complete	1.000	ST	
21	6.465-031.0	Connection 3/4	1.000	ST	
8	9.002-010.0	Conversion kit housing new D=22mm	1.000	ST	
5	9.039-308.0	Cover K130	1.000	ST	
10	9.081-422.0	Form seal	1.000	ST	
7	9.001-741.0	FRONT HOUSING MODULAR COMPACT	1.000	ST	
13	6.362-875.0	Grooved ring	3.000	ST	
11	9.001-999.0	head pump wcm spare part	1.000	ST	
	Item text1: 1.180-151.0/-154.0/100.0/-130.0/-150.0/				
	Item text2: -153.0/-156.0/-163.0				
1	9.001-749.0	High-pressure outlet complete	1.000	ST	
19	9.001-108.0	Injector complete	1.000	ST	
16	9.001-106.0	Joining piece	1.000	ST	
2	9.039-148.0	Metal fork	2.000	ST	
14	9.001-110.0	Moulded part complete	1.000	ST	SET CONSISTS OF 3X MACHINED PART COMPL.
3	9.086-200.0	Screw M 8x55 Class 8.8	4.000	ST	
12	9.080-455.0	Seal 10x2,8	2.000	ST	
11	9.001-693.0	Spare parts set cylinder head WCP	1.000	ST	
	Item text1: all other machines				
20	9.001-782.0	Spare parts set suction side	1.000	ST	
15	9.001-149.0	Spare parts set valve	1.000	ST	SET CONSITSTS OF 3X VALVE
18	9.047-026.0	Spring	1.000	ST	
9	9.037-059.0	Support ring	3.000	ST	
	Item text1: all other machines				
9	9.038-428.0	Supportring 6,7 mm	3.000	ST	
	Item text1: 1.180-151.0/-154.0/100.0/-130.0/-150.0/				
	Item text2: -153.0/-156.0/-163.0				



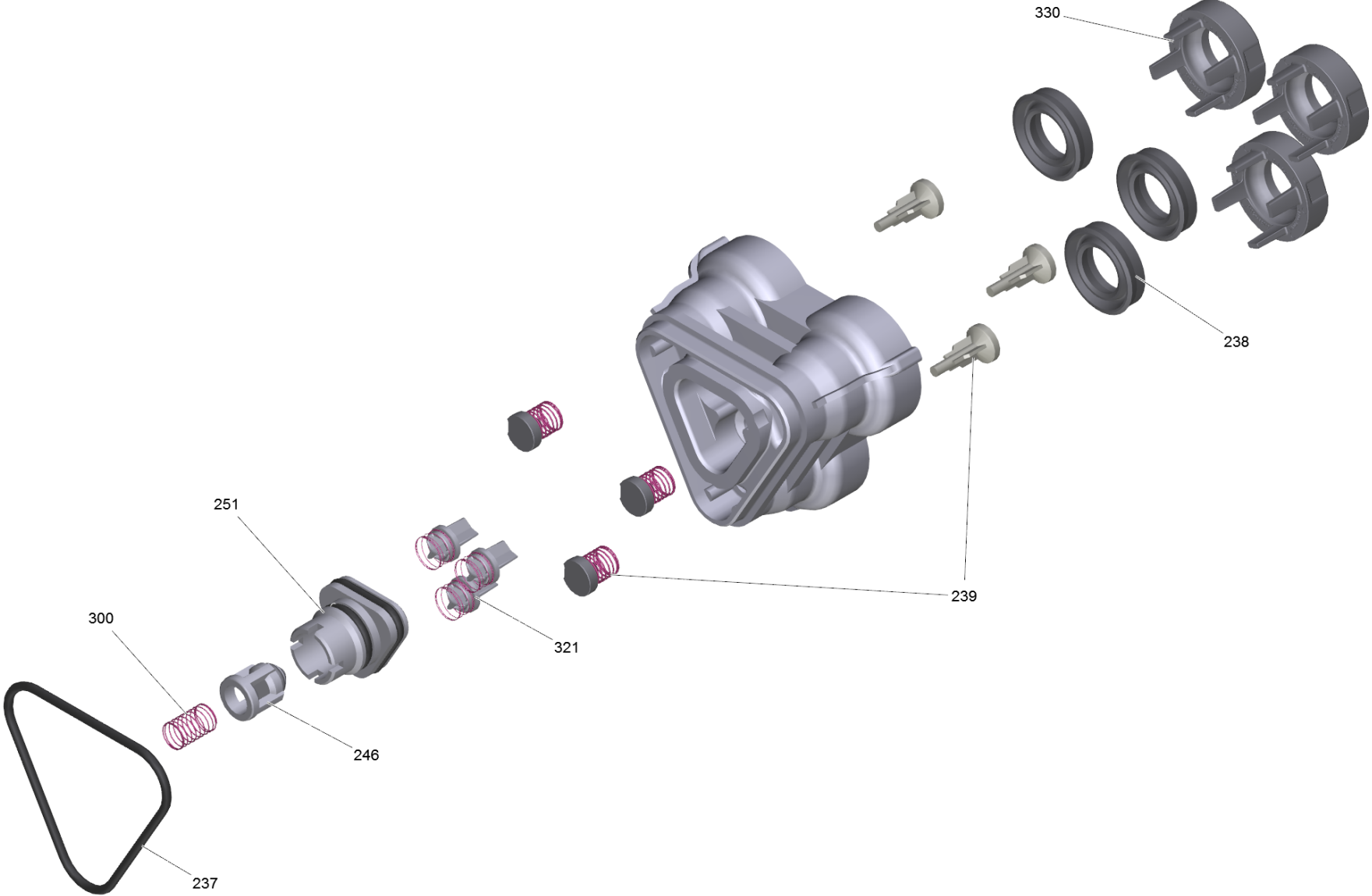
11 head pump wcm spare part (9.001-999.0)

POS	Article no.	Description	Quantity	Unit
246	9.001-107.0	Cage complete	1.000	ST
237	9.081-422.0	Form seal	1.000	ST
238	6.362-875.0	Grooved ring	3.000	ST
251	9.001-106.0	Joining piece	1.000	ST
239	9.001-110.0	Moulded part complete	1.000	ST
321	9.001-149.0	Spare parts set valve	1.000	ST
300	9.047-026.0	Spring	1.000	ST
330	9.038-428.0	Supportring 6,7 mm	3.000	ST



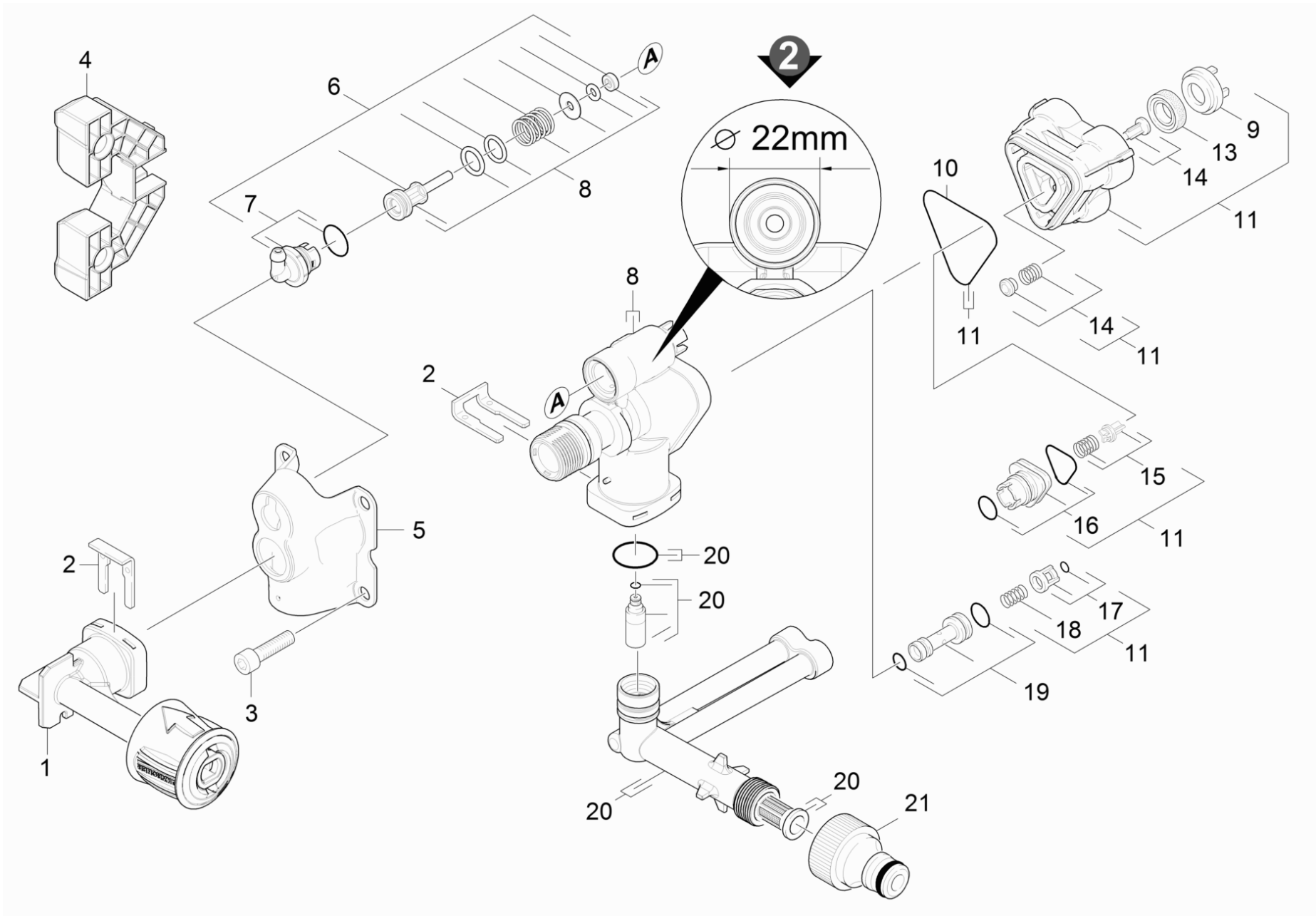
22 Housing

POS	Article no.	Description	Quantity	Unit	Foot note text
4	9.037-673.0	Bracket pump (bridge)	1.000	ST	
17	9.001-107.0	Cage complete	1.000	ST	
21	6.465-031.0	Connection 3/4	1.000	ST	
8	9.002-010.0	Conversion kit housing new D=22mm	1.000	ST	
5	9.039-308.0	Cover K130	1.000	ST	
10	9.081-422.0	Form seal	1.000	ST	
7	9.001-741.0	FRONT HOUSING MODULAR COMPACT	1.000	ST	
13	6.362-875.0	Grooved ring	3.000	ST	
11	9.001-999.0	head pump wcm spare part	1.000	ST	
	Item text1: 1.180-151.0/-154.0/100.0/-130.0/-150.0/				
	Item text2: -153.0/-156.0/-163.0				
1	9.001-749.0	High-pressure outlet complete	1.000	ST	
19	9.001-108.0	Injector complete	1.000	ST	
20	9.001-980.0	inlet fitting Ratio1 spare parts	1.000	ST	
16	9.001-106.0	Joining piece	1.000	ST	
2	9.039-148.0	Metal fork	2.000	ST	
14	9.001-110.0	Moulded part complete	1.000	ST	SET CONSISTS OF 3X MACHINED PART COMPL.
6	9.001-981.0	Piston and water intake wcm	1.000	ST	
3	9.086-200.0	Screw M 8x55 Class 8.8	4.000	ST	
12	9.080-455.0	Seal 10x2,8	2.000	ST	
11	9.001-693.0	Spare parts set cylinder head WCP	1.000	ST	
	Item text1: all other machines				
15	9.001-149.0	Spare parts set valve	1.000	ST	SET CONSITSTS OF 3X VALVE
18	9.047-026.0	Spring	1.000	ST	
9	9.037-059.0	Support ring	3.000	ST	
	Item text1: all other machines				
9	9.038-428.0	Supportring 6,7 mm	3.000	ST	
	Item text1: 1.180-151.0/-154.0/100.0/-130.0/-150.0/				
	Item text2: -153.0/-156.0/-163.0				



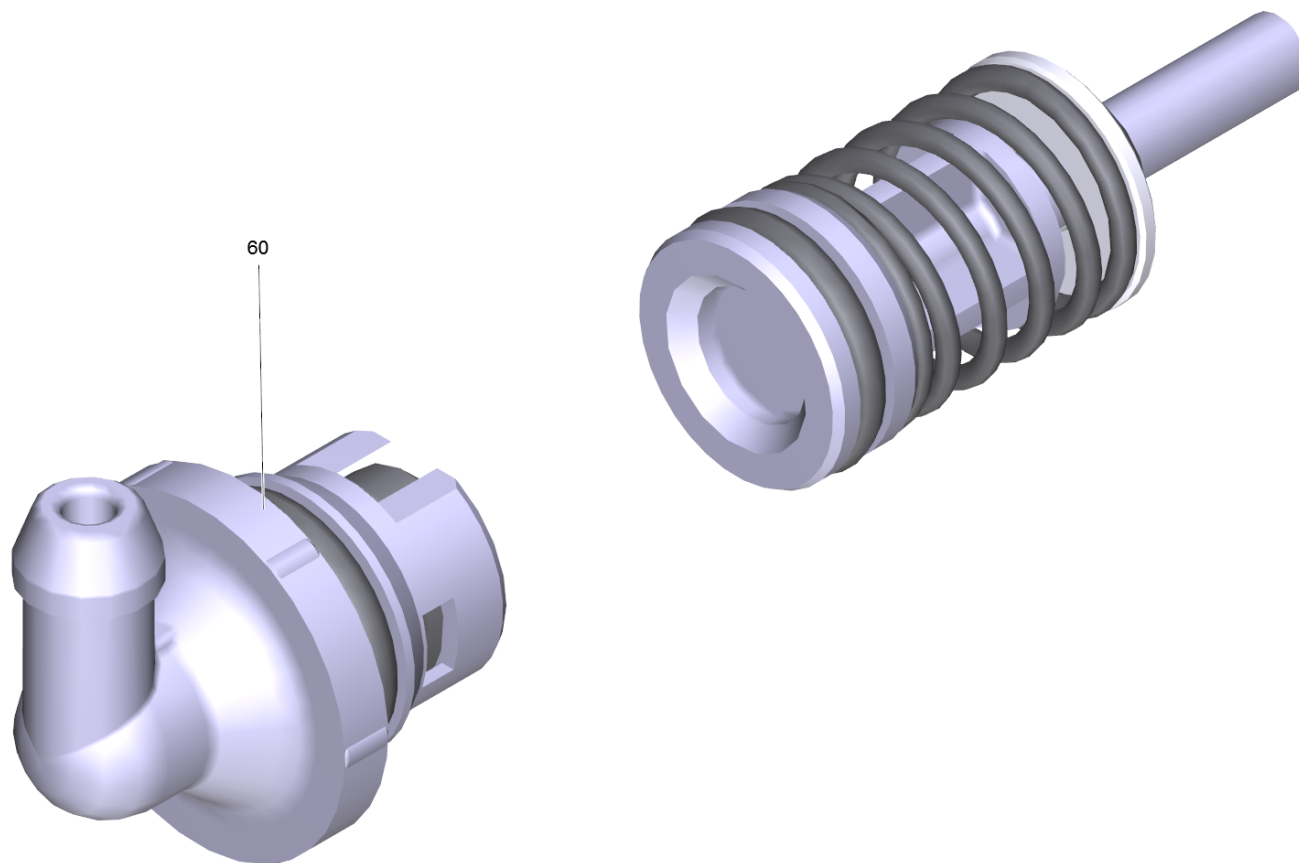
11 head pump wcm spare part (9.001-999.0)

POS	Article no.	Description	Quantity	Unit
246	9.001-107.0	Cage complete	1.000	ST
237	9.081-422.0	Form seal	1.000	ST
238	6.362-875.0	Grooved ring	3.000	ST
251	9.001-106.0	Joining piece	1.000	ST
239	9.001-110.0	Moulded part complete	1.000	ST
321	9.001-149.0	Spare parts set valve	1.000	ST
300	9.047-026.0	Spring	1.000	ST
330	9.038-428.0	Supportring 6,7 mm	3.000	ST



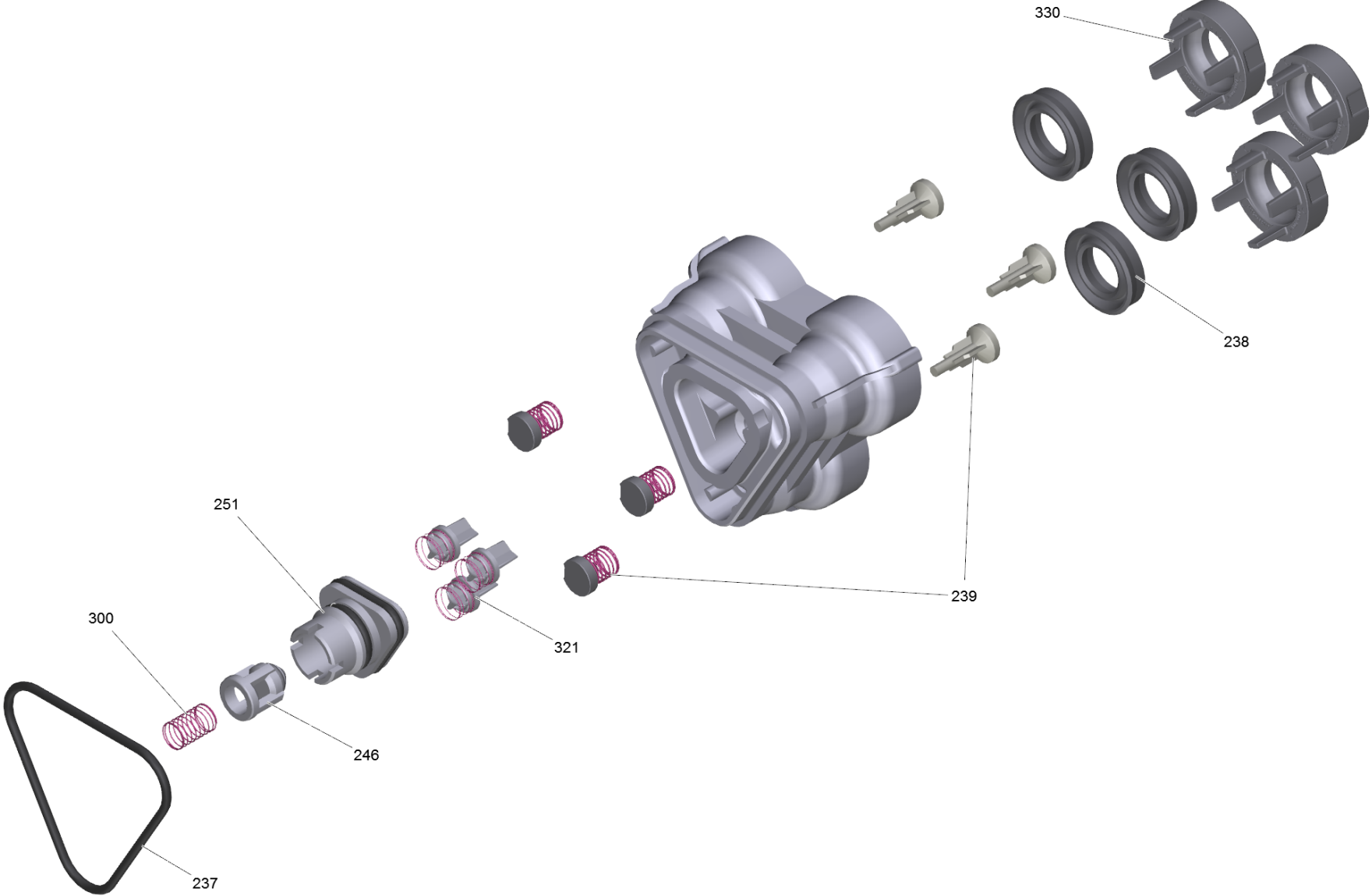
23 Housing

POS	Article no.	Description	Quantity	Unit	Foot note text
4	9.037-673.0	Bracket pump (bridge)	1.000	ST	
17	9.001-107.0	Cage complete	1.000	ST	
21	6.465-031.0	Connection 3/4	1.000	ST	
5	9.039-308.0	Cover K130	1.000	ST	
10	9.081-422.0	Form seal	1.000	ST	
13	6.362-875.0	Grooved ring	3.000	ST	
11	9.001-999.0	head pump wcm spare part	1.000	ST	
	Item text1: 1.180-151.0/-154.0/100.0/-130.0/-150.0/				
	Item text2: -153.0/-156.0				
1	9.001-749.0	High-pressure outlet complete	1.000	ST	
20	9.001-980.0	inlet fitting Ratio1 spare parts	1.000	ST	
16	9.001-106.0	Joining piece	1.000	ST	
8	9.002-029.0	manifold HR + pressure piston	1.000	ST	
2	9.039-148.0	Metal fork	2.000	ST	
14	9.001-110.0	Moulded part complete	1.000	ST	SET CONSISTS OF 3X MACHINED PART COMPL.
6	9.002-028.0	pressure piston HR (spare)	1.000	ST	
7	9.002-027.0	Rad. 90° control housing HR (ric)	1.000	ST	
3	9.086-200.0	Screw M 8x55 Class 8.8	4.000	ST	
12	9.080-455.0	Seal 10x2,8	2.000	ST	
11	9.001-693.0	Spare parts set cylinder head WCP	1.000	ST	
	Item text1: all other machines				
15	9.001-149.0	Spare parts set valve	1.000	ST	SET CONSITSTS OF 3X VALVE
18	9.047-026.0	Spring	1.000	ST	
9	9.037-059.0	Support ring	3.000	ST	
	Item text1: all other machines				
9	9.038-428.0	Supportring 6,7 mm	3.000	ST	
	Item text1: 1.180-151.0/-154.0/100.0/-130.0/-150.0/				
	Item text2: -153.0/-156.0				
19	9.002-017.0	Venturi nozzle D.1,45	1.000	ST	



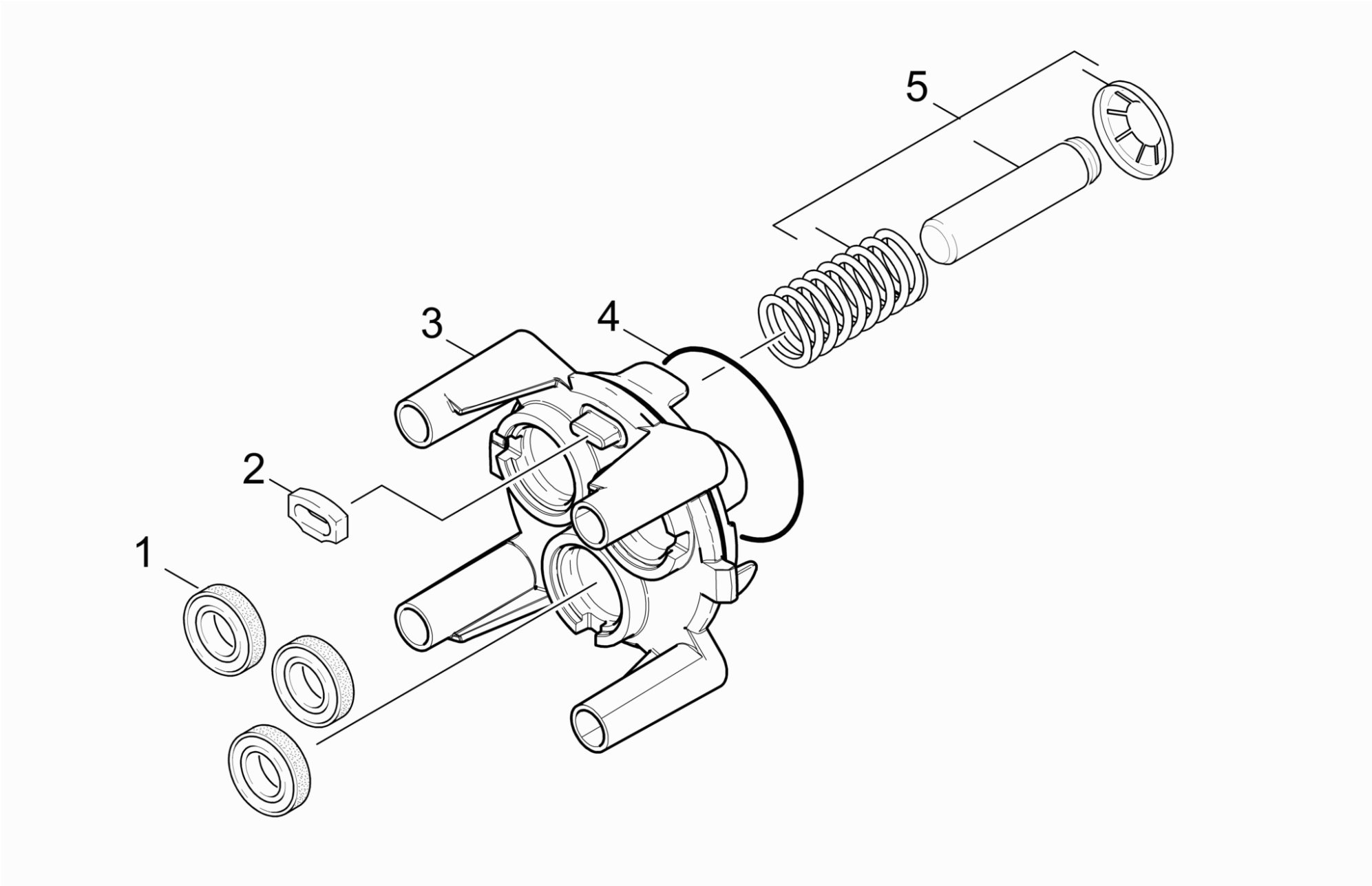
6 pressure piston HR (spare) (9.002-028.0)

POS	Article no.	Description	Quantity	Unit
60	9.002-027.0	Rad. 90° control housing HR (ric)	1.000	ST



11 head pump wcm spare part (9.001-999.0)

POS	Article no.	Description	Quantity	Unit
246	9.001-107.0	Cage complete	1.000	ST
237	9.081-422.0	Form seal	1.000	ST
238	6.362-875.0	Grooved ring	3.000	ST
251	9.001-106.0	Joining piece	1.000	ST
239	9.001-110.0	Moulded part complete	1.000	ST
321	9.001-149.0	Spare parts set valve	1.000	ST
300	9.047-026.0	Spring	1.000	ST
330	9.038-428.0	Supportring 6,7 mm	3.000	ST

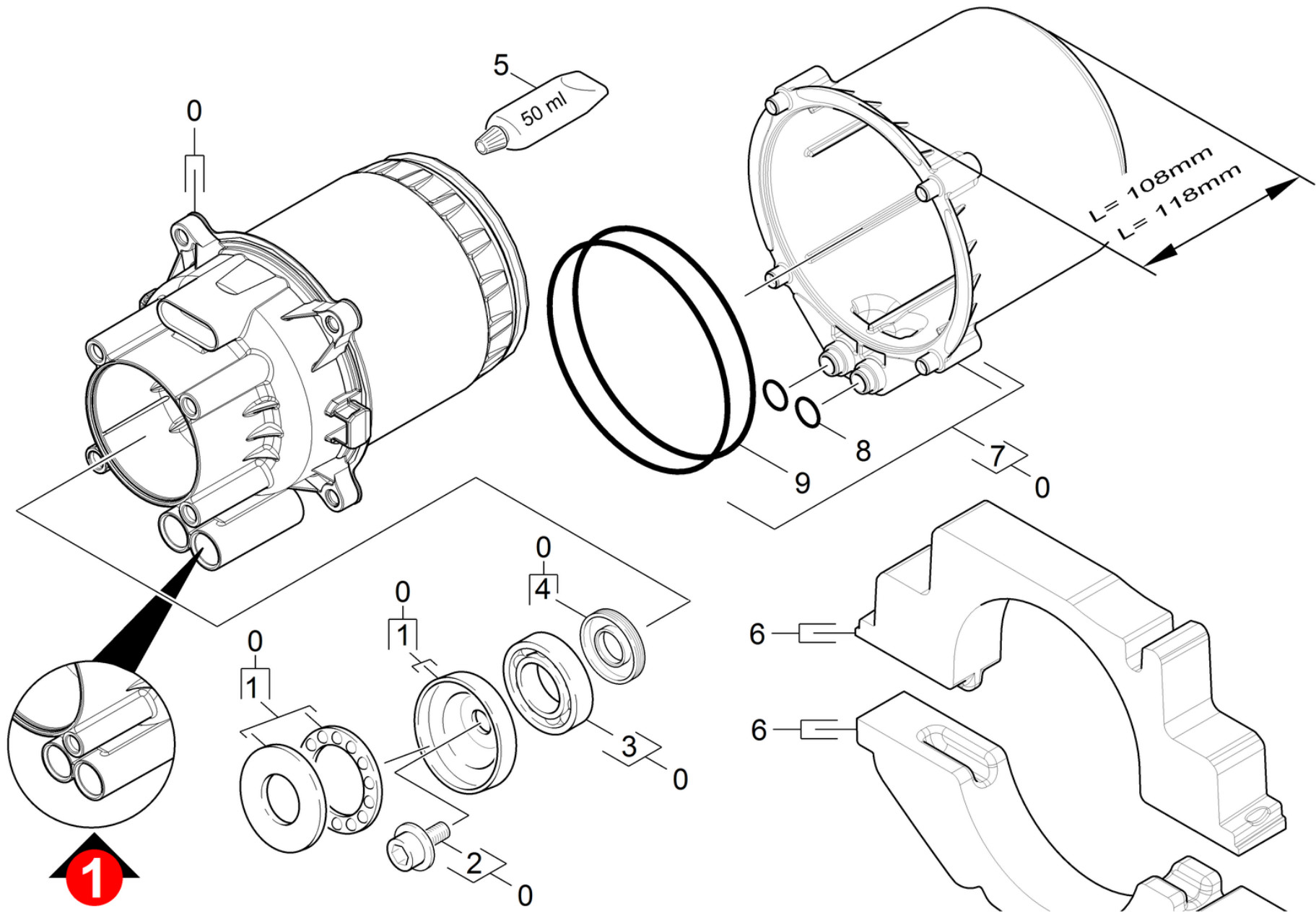


24 Thrust guidance

POS	Article no.	Description	Quantity	Unit
1	6.964-026.0	Grooved ring	3.000	ST
4	9.080-425.0	O-Ring seal 60 x 2 NBR 70	1.000	ST
5	9.001-927.0	Piston complete	3.000	ST
3	9.042-129.0	Pistonguide K3/K4 Compact machined	1.000	ST
2	9.048-071.0	Spacer - Seal	1.000	ST

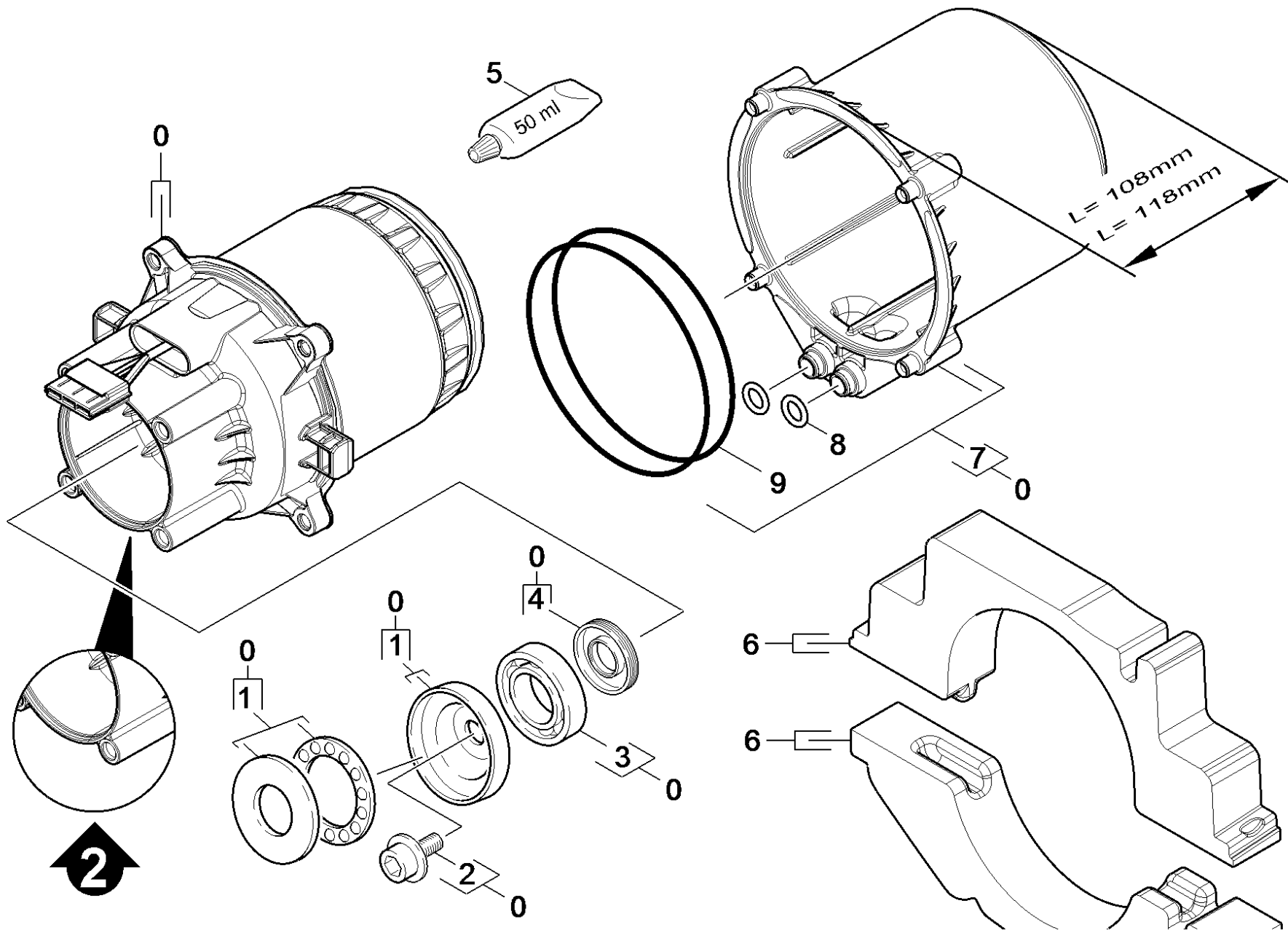
30 Motor

POS	Description	Quantity	Unit	Foot note text
32	Motor	1.000	ST	VERSION 2
31	Motor	1.000	ST	VERSION 1



31 Motor

POS	Article no.	Description	Quantity	Unit	Remark
3	7.401-010.0	Ball bearing 6303 -St DIN 625	1.000	ST	
7	9.001-918.0	Covering cap motor complete	1.000	ST	L= 118mm
0	9.001-947.0	motor h80 CAME	1.000	ST	
	Item text1: 1.180-151.0 /-154.0				
9	9.080-453.0	O-Ring seal 95x6	2.000	ST	
4	9.078-007.0	Rotary shaft seal 17x35x5	1.000	ST	
2	9.086-205.0	Screw	1.000	ST	
8	9.080-455.0	Seal 10x2,8	2.000	ST	
7	9.001-935.0	Set motor cover H70 Wcm	1.000	ST	L= 108mm
5	6.964-092.0	Viscous oil 50ml	1.000	ST	
6	9.001-799.0	Web PS	1.000	ST	
1	9.001-705.0	Wobble plate 10°24'	1.000	ST	
	Item text1: 1.180-151.0 /-154.0				

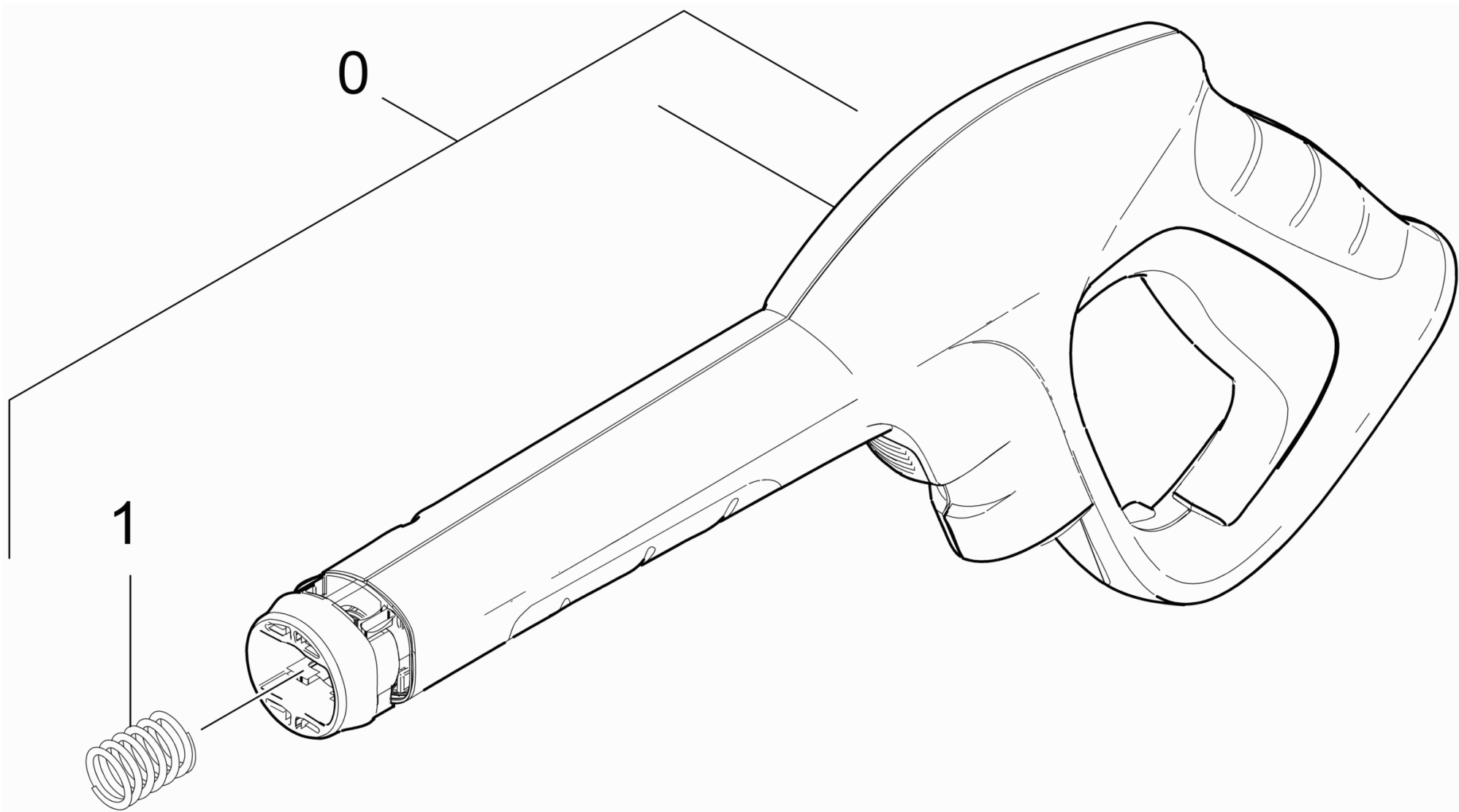


32 Motor

POS	Article no.	Description	Quantity	Unit	Remark
3	7.401-010.0	Ball bearing 6303 -St DIN 625	1.000	ST	
7	9.001-918.0	Covering cap motor complete	1.000	ST	L= 118mm
0	9.001-976.0	Motor H70 R1 EU (spare)	1.000	ST	
	Item text1: 1.180-150.0 /-153.0 /-156.0				
9	9.080-453.0	O-Ring seal 95x6	2.000	ST	
4	9.078-007.0	Rotary shaft seal 17x35x5	1.000	ST	
2	9.086-205.0	Screw	1.000	ST	
8	9.080-455.0	Seal 10x2,8	2.000	ST	
7	9.001-935.0	Set motor cover H70 Wcm	1.000	ST	L= 108mm
0	9.002-394.0	Spare part motor 9013-3940	1.000	ST	
	Item text1: 1.180-151.0 /-154.0				
5	6.964-092.0	Viscous oil 50ml	1.000	ST	
6	9.001-799.0	Web PS	1.000	ST	
1	9.001-705.0	Wobble plate 10°24'	1.000	ST	

40 Accessories

POS	Description	Quantity	Unit	Remark
45	Brush Best	1.000	ST	
44	Dirt blaster	1.000	ST	
46	Foam nozzle	1.000	ST	
41	Hand trigger gun	1.000	ST	
42	High pressure hose	1.000	ST	
48	Surface cleaner	1.000	ST	T350
47	Surface cleaner	1.000	ST	T 250
43	Vario-Power Jet pipe	1.000	ST	



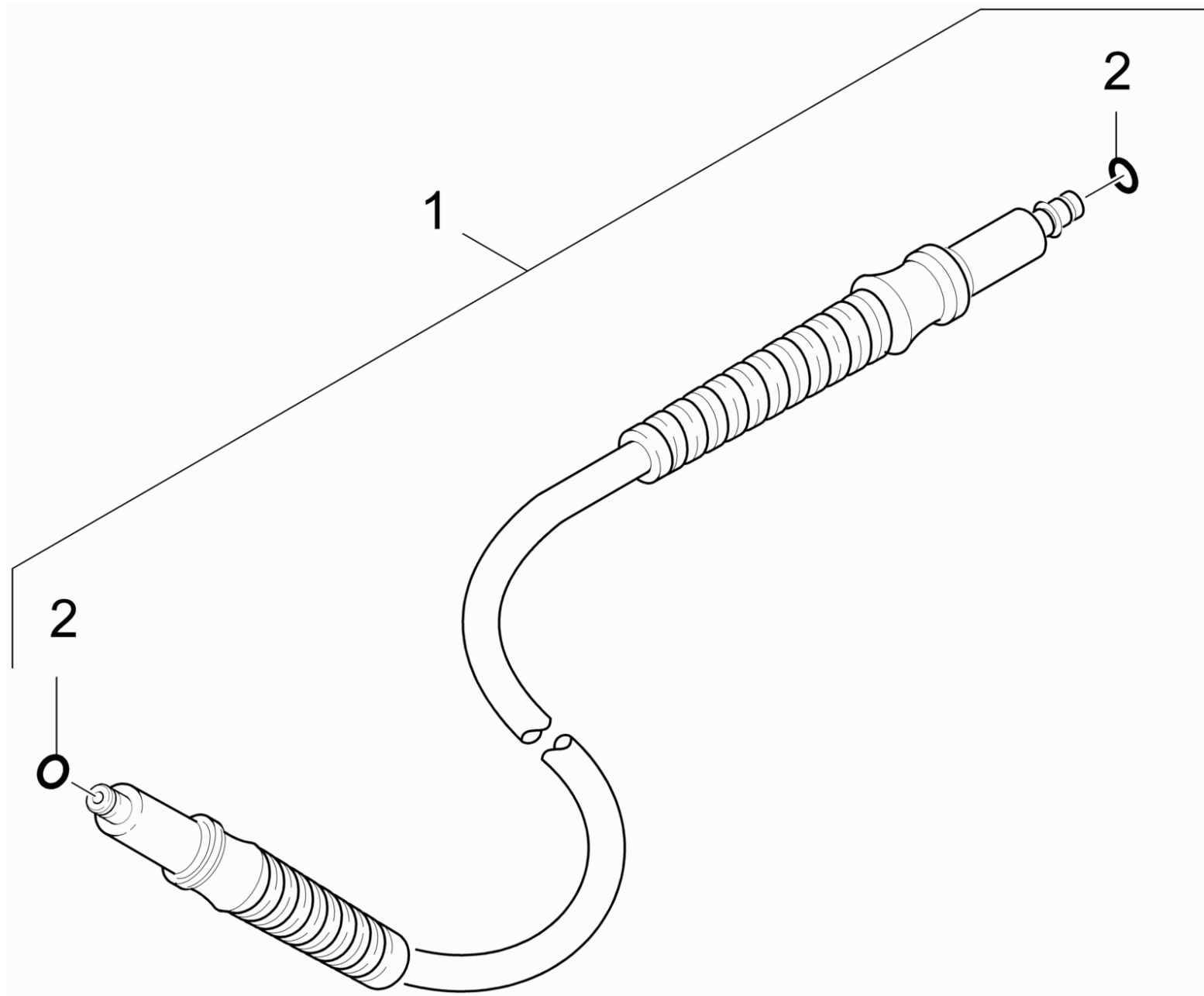
41 Hand trigger gun

POS	Article no.	Description	Quantity	Unit
0	2.642-172.0	G 160 Q pistol Quick Connect	1.000	ST
1	5.332-464.0	Pressure spring	1.000	ST



G 160 Q pistol Quick Connect (2.642-172.0)

POS	Article no.	Description	Quantity	Unit
1	5.332-464.0	Pressure spring	1.000	ST



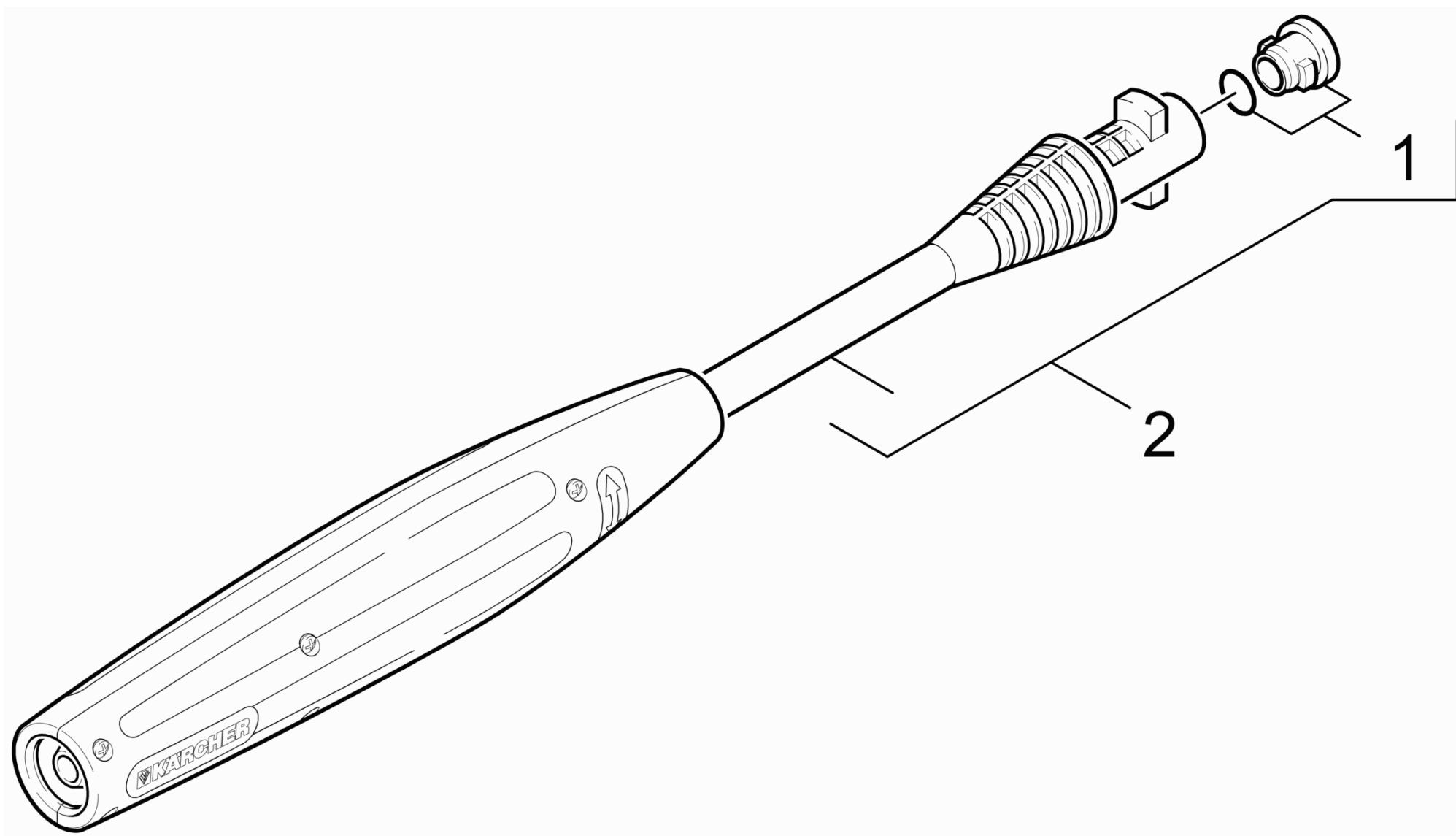
42 High pressure hose

POS	Article no.	Description	Quantity	Unit
1	2.641-721.0	H 9 Q high pressure hose Quick Connect	1.000	ST
2	6.363-410.0	O-Ring seal 5,7x1,78 NBR 90Shore	2.000	ST



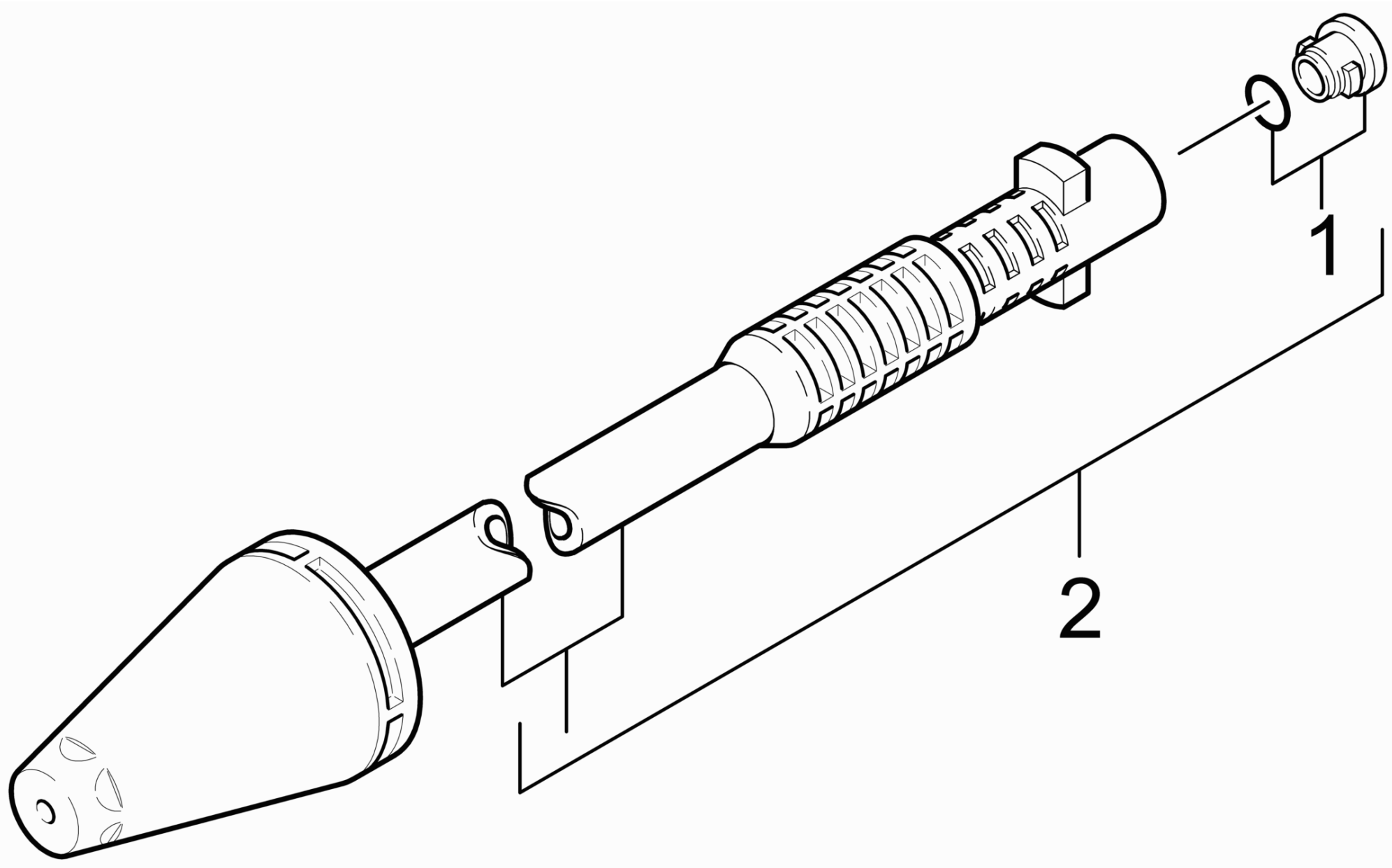
1 H 9 Q high pressure hose Quick Connect (2.641-721.0)

POS	Article no.	Description	Quantity	Unit
999	2.640-729.0	O-Ring seal set	1.000	ST



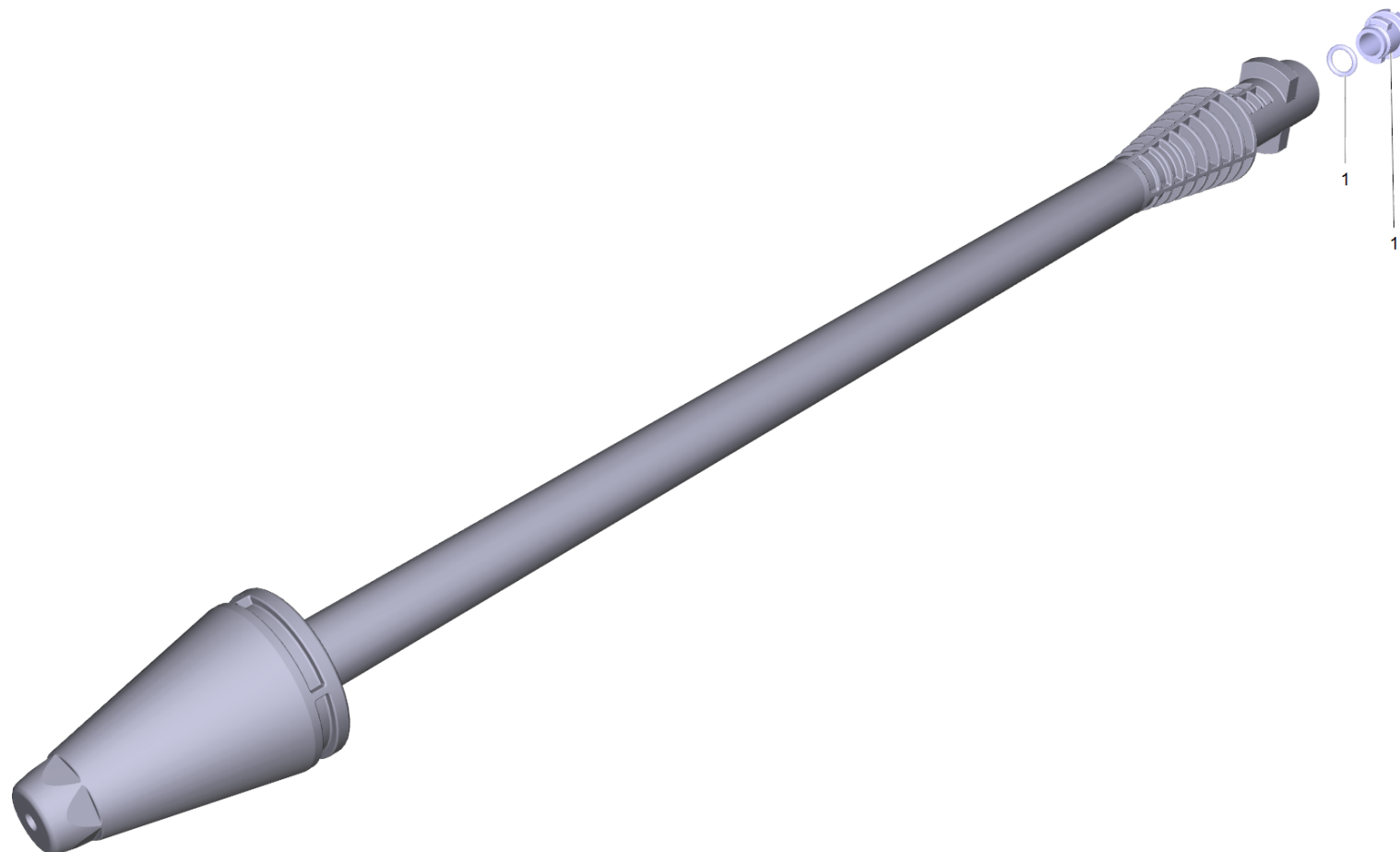
43 Vario-Power Jet pipe

POS	Article no.	Description	Quantity	Unit
1	2.640-729.0	O-Ring seal set	1.000	ST
2	4.760-534.0	VPS K3 0287 K	1.000	ST



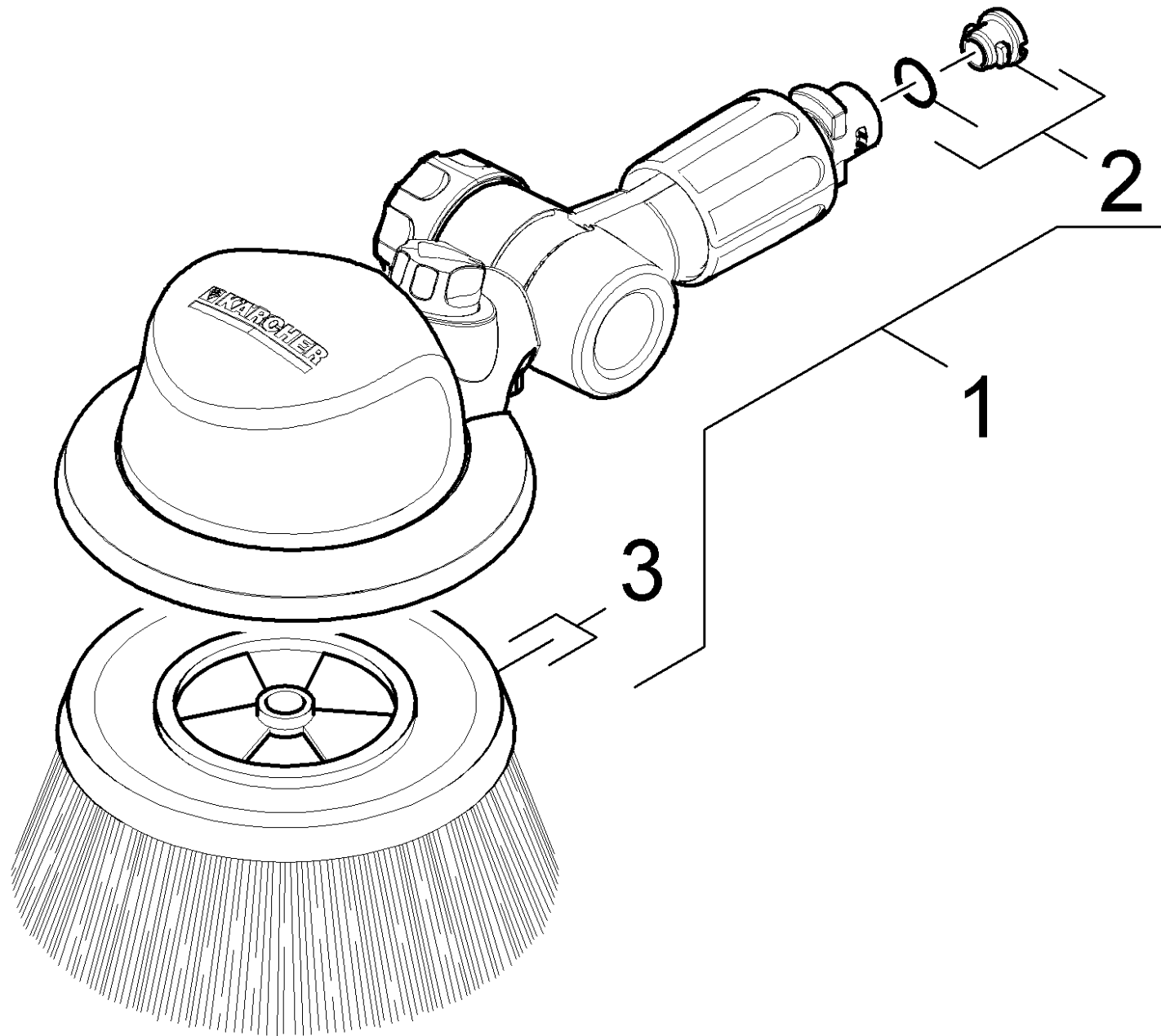
44 Dirt blaster

POS	Article no.	Description	Quantity	Unit
2	4.764-281.0	Dirt blaster 031 St - CEM 14,5MPa	1.000	ST
1	2.640-729.0	O-Ring seal set	1.000	ST



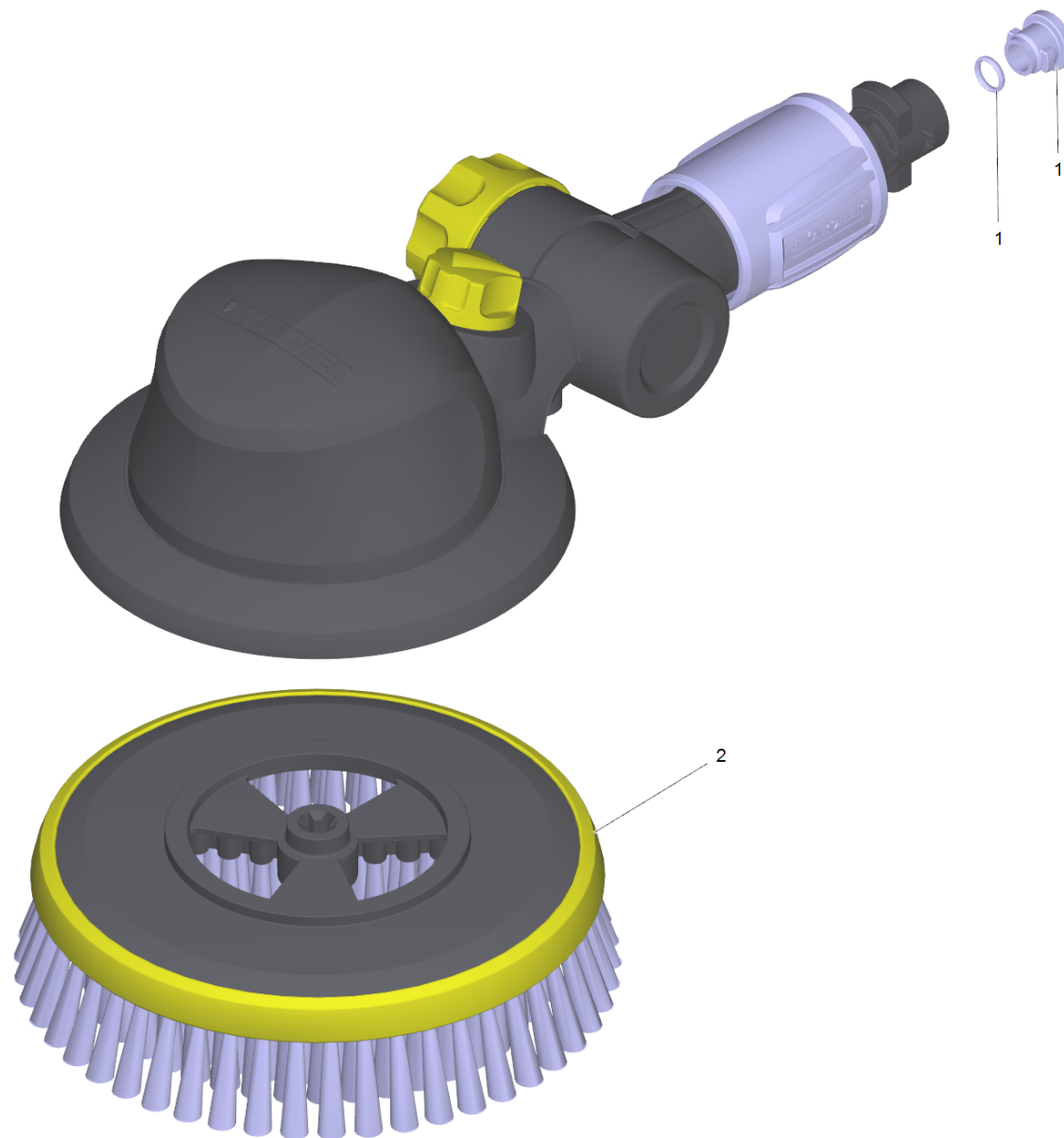
2 Dirt blaster 031 St - CEM 14,5MPa (4.764-281.0)

POS	Article no.	Description	Quantity	Unit
1	2.640-729.0	O-Ring seal set	1.000	ST



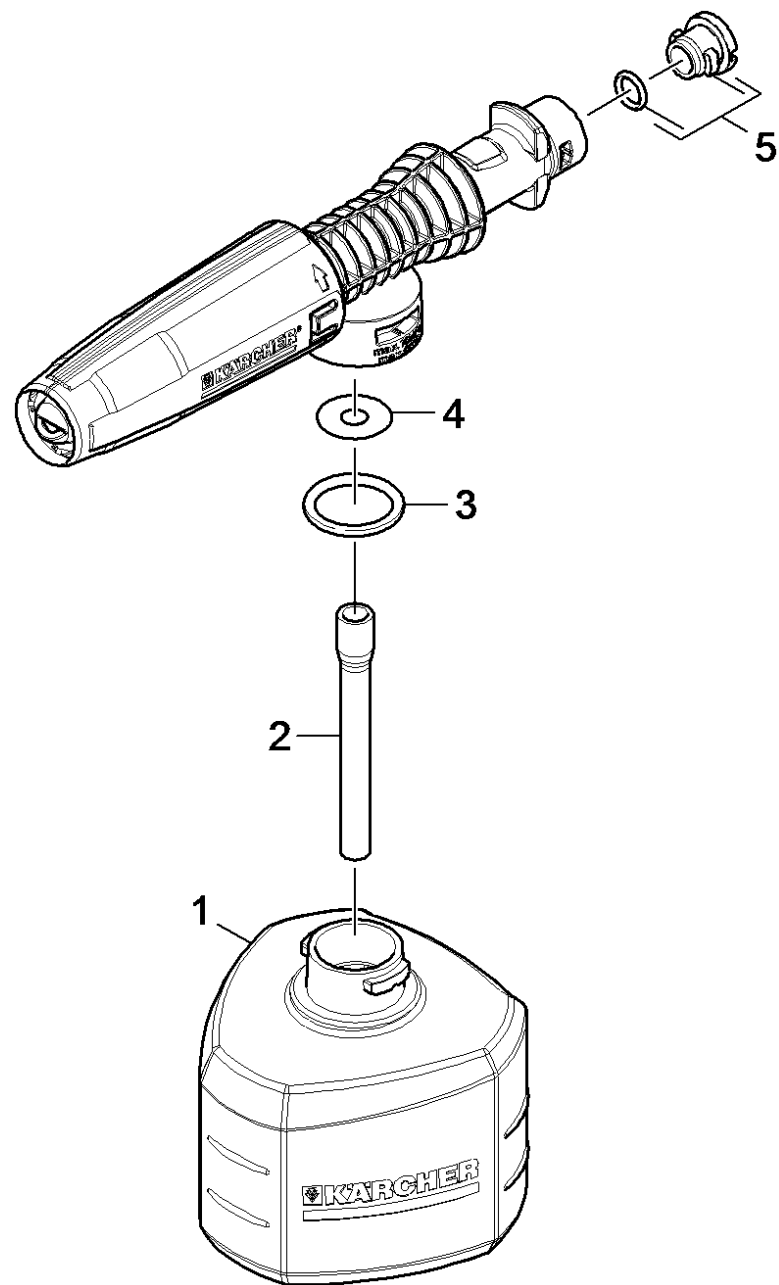
45 Brush Best

POS	Article no.	Description	Quantity	Unit
3	5.762-331.0	Carrier brushes	1.000	ST
2	2.640-729.0	O-Ring seal set	1.000	ST
1	2.643-236.0	WB 100 washing brush	1.000	ST



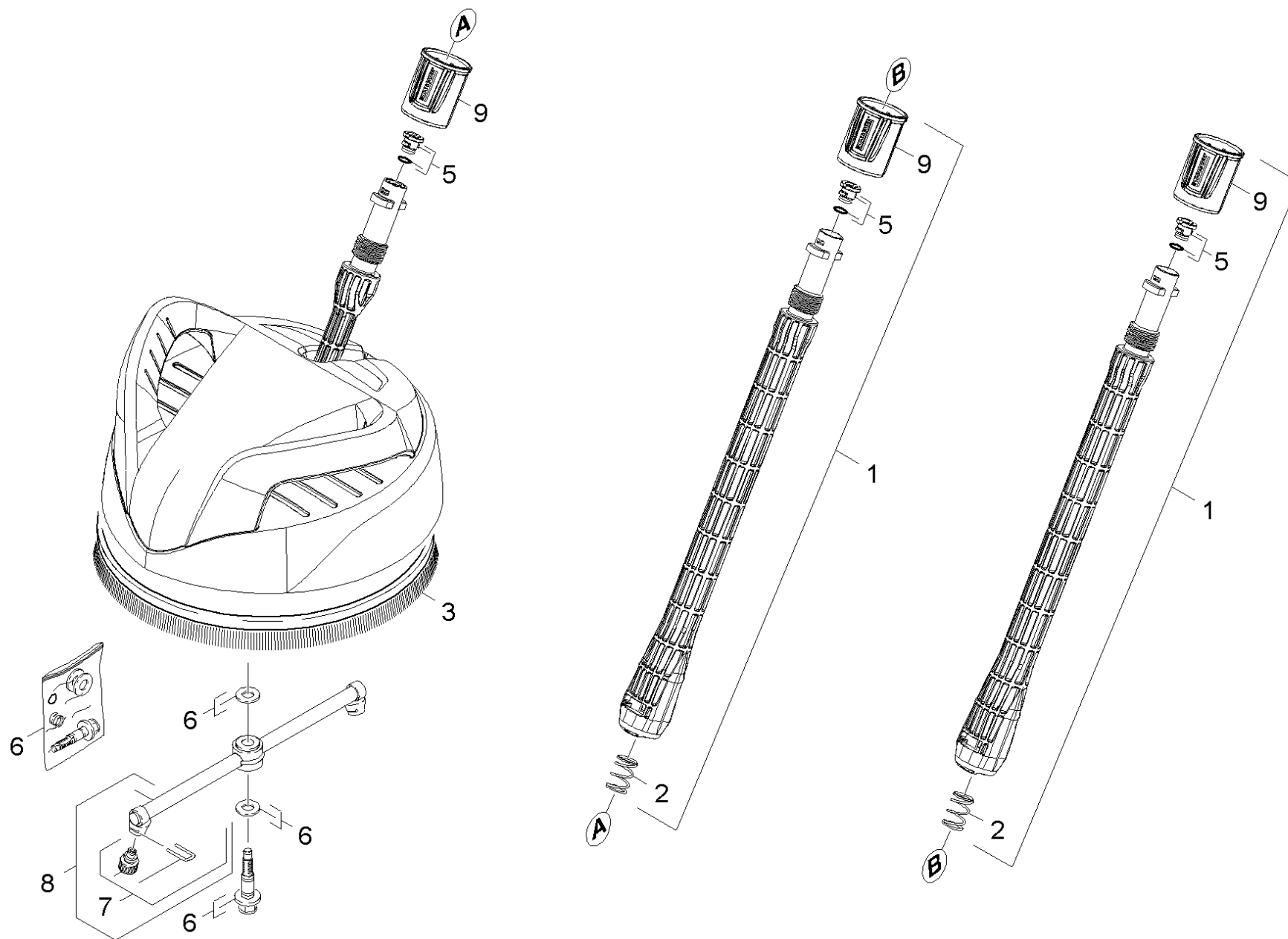
1 WB 100 washing brush (2.643-236.0)

POS	Article no.	Description	Quantity	Unit
2	5.762-331.0	Carrier brushes	1.000	ST
1	2.640-729.0	O-Ring seal set	1.000	ST



46 Foam nozzle

POS	Article no.	Description	Quantity	Unit	Foot note text
4	5.367-026.0	Diaphragm	1.000	ST	
2	6.388-216.0	Hose DN 5	1.000	M	TO ORDER AS CUT GOODS
3	6.362-874.0	O-Ring seal 21x3 - NBR 70	1.000	ST	
5	2.640-729.0	O-Ring seal set	1.000	ST	
1	5.071-203.0	Tank cleaning agents 0,3 l	1.000	ST	



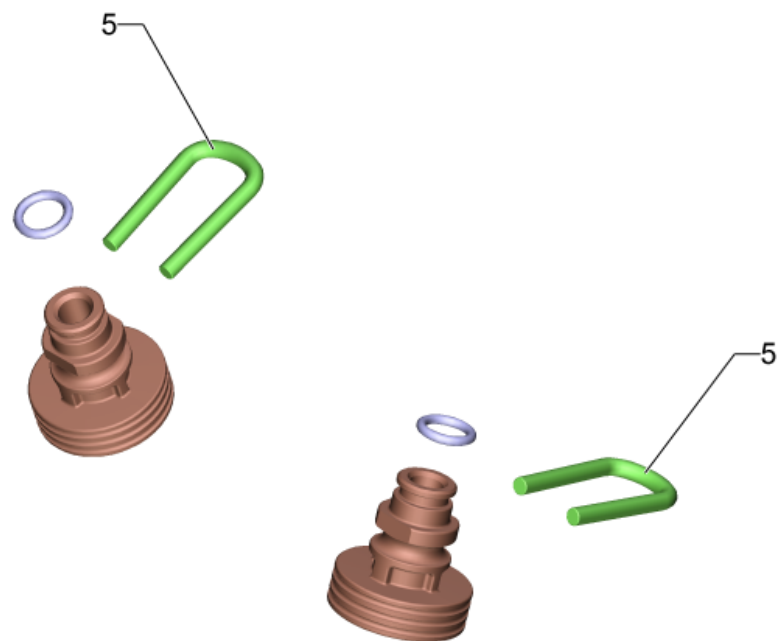
47 Surface cleaner




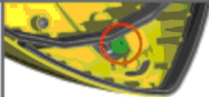




POS	Article no.	Description	Quantity	Unit
9	5.310-160.0	Nut Kaercher	3.000	ST
5	2.640-729.0	O-Ring seal set	3.000	ST
2	5.332-464.0	Pressure spring	2.000	ST
1	2.643-240.0	Single-step jet pipe extension	2.000	ST
8	2.885-003.0	Spare part set rotor neutrally	1.000	ST
6	2.883-994.0	Spare part set set of gaskets neutrally	1.000	ST
7	2.643-338.0	Spare parts nozzles T-Racer	1.000	ST
3	6.371-086.0	Strip brush	1.000	ST









1 Single-step jet pipe extension (2.643-240.0)

POS	Article no.	Description	Quantity	Unit
10	5.310-160.0	Nut Kaercher	1.000	ST
3	2.640-729.0	O-Ring seal set	1.000	ST
8	5.332-464.0	Pressure spring	1.000	ST



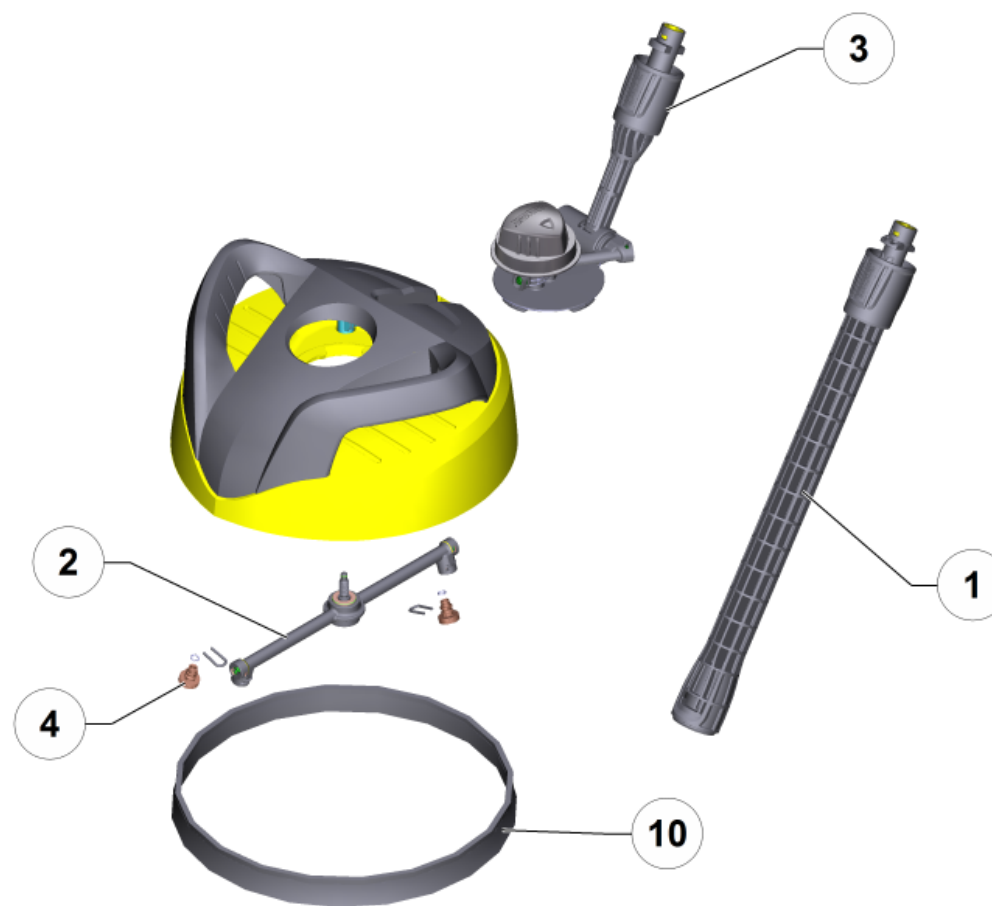
T 50, T 70, T 80, T 100 T 150, T 200, T 250, T 300, T 400, T 450, T 550	K 2 - K 5		
	K 6 - K 7		
T 400, T 450 T 550			
T 200, T 250	K 6 - K 7		
T 350 Gas			

	K 3 - K 5	
	K 6 - K 7	

	K 2	
	K 3 - K 5	

7 Spare parts nozzles T-Racer (2.643-338.0)

POS	Article no.	Description	Quantity	Unit	Remark	Foot note text
5	5.037-151.0	Clamp	2.000	ST		
1	4.764-155.0	Nozzle complete 15015	1.000	ST	<13 MPa (<130 bar)	GREY
		Item text1: 015				
2	4.764-156.0	Nozzle complete 15020	1.000	ST	13 MPa (130 bar) - 16 MPa (160 bar)	YELLOW
		Item text1: 020				
3		Nozzle complete 15027	1.000	ST		BLACK
		Item text1: 027				
4	4.764-190.0	Nozzle kpl. 75047	1.000	ST		GREEN
		Item text1: 047				



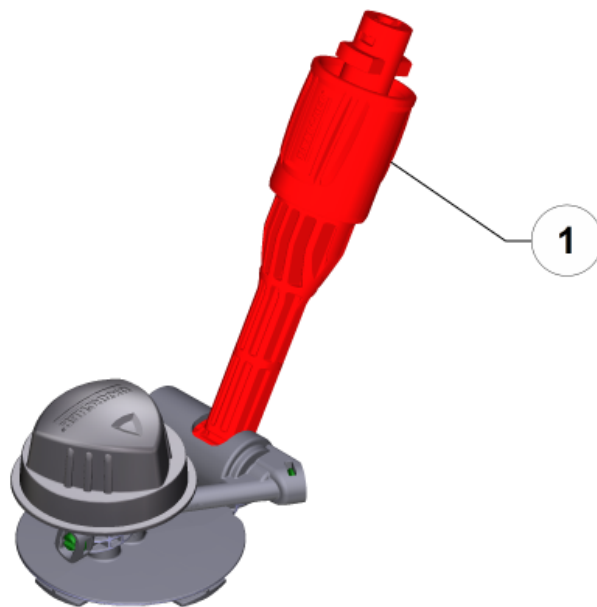
48 Surface cleaner

POS	Article no.	Description	Quantity	Unit
3		Bearing support kpl.	1.000	ST
1	2.643-240.0	Single-step jet pipe extension	2.000	ST
2	2.885-407.0	Spare part set rotor complete	1.000	ST
4	2.643-335.0	Spare parts nozzles Set T 300/T 350	1.000	ST
10	6.371-086.0	Strip brush	1.000	ST



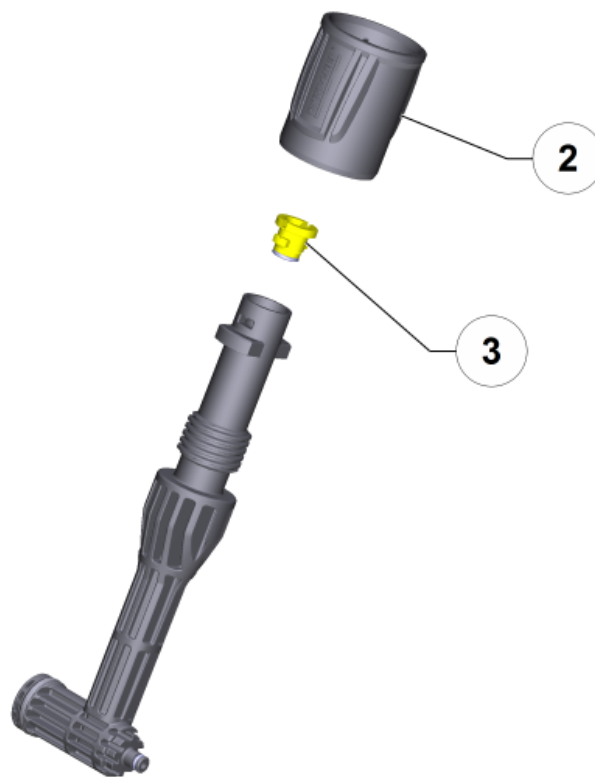
1 Single-step jet pipe extension (2.643-240.0)

POS	Article no.	Description	Quantity	Unit
10	5.310-160.0	Nut Kaercher	1.000	ST
3	2.640-729.0	O-Ring seal set	1.000	ST
8	5.332-464.0	Pressure spring	1.000	ST



3 Bearing support kpl.

POS	Description	Quantity	Unit
1	Adapter complete	1.000	ST



1 Adapter complete

POS	Article no.	Description	Quantity	Unit
2	5.310-160.0	Nut Kaercher	1.000	ST
3	2.640-729.0	O-Ring seal set	1.000	ST

40 Accessories

POS	Article no.	Description	Quantity	Unit
44	2.642-728.0	DB 145 Dirt Blaster (packaged)	1.000	ST
41	2.642-889.0	G 180 Q Trigger gun Quick Connect	1.000	ST
42	2.641-721.0	H 9 Q high pressure hose Quick Connect	1.000	ST
43	2.642-725.0	VP 145 Vario Power Jet (packaged)	1.000	ST



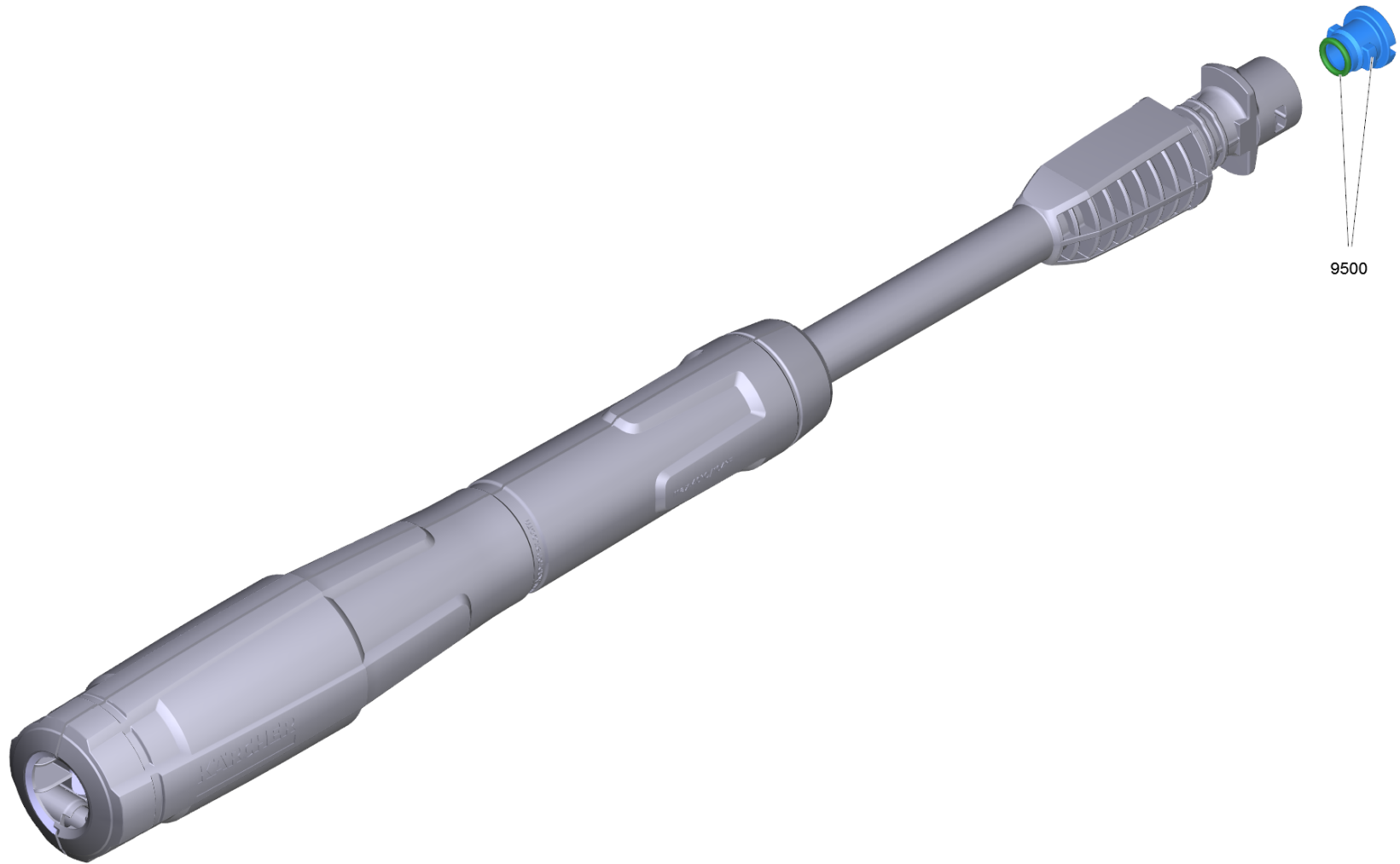
41 G 180 Q Trigger gun Quick Connect (2.642-889.0)

POS	Article no.	Description	Quantity	Unit
1	5.332-464.0	Pressure spring	1.000	ST



42 H 9 Q high pressure hose Quick Connect (2.641-721.0)

POS	Article no.	Description	Quantity	Unit
999	2.640-729.0	O-Ring seal set	1.000	ST



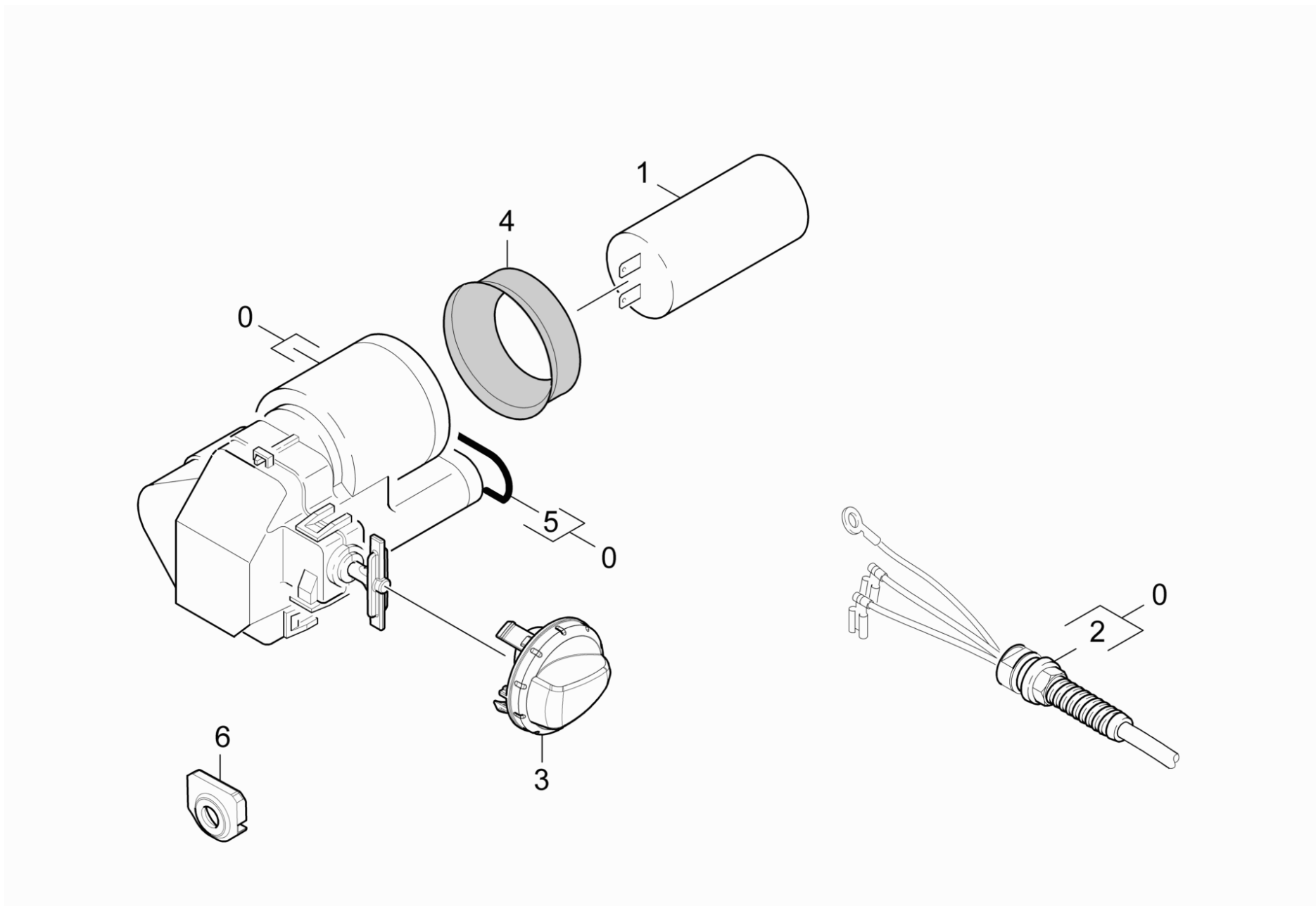
43 VP 145 Vario Power Jet (packaged) (2.642-725.0)

POS	Article no.	Description	Quantity	Unit
9500	2.640-729.0	O-Ring seal set	1.000	ST



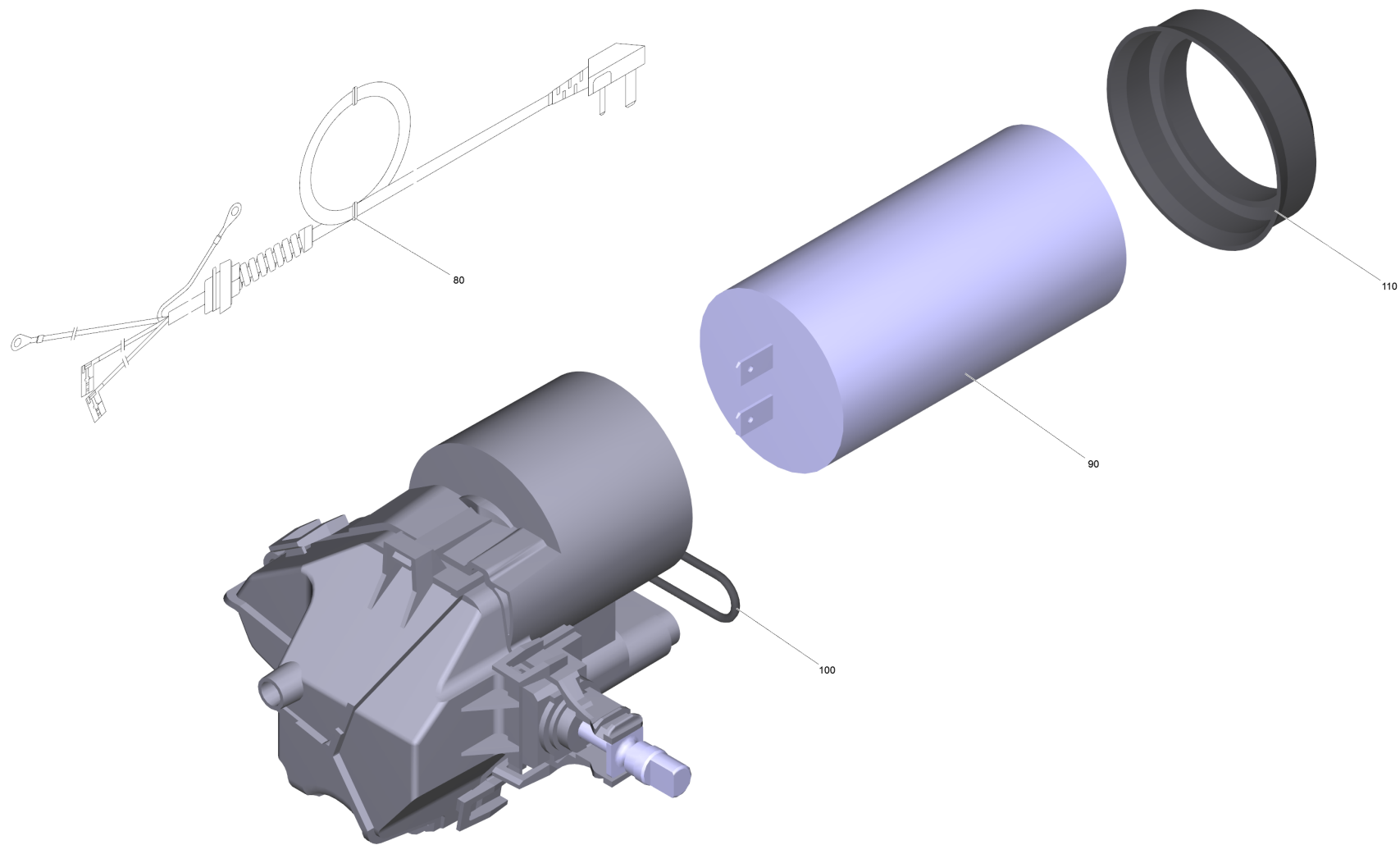
44 DB 145 Dirt Blaster (packaged) (2.642-728.0)

POS	Article no.	Description	Quantity	Unit
9500	2.640-729.0	O-Ring seal set	1.000	ST



50 Electric box

POS	Article no.	Description	Quantity	Unit	Remark	Foot note text
3	9.048-123.0	2K KNOB black	1.000	ST		
2	9.084-144.0	Cable with plug	1.000	ST		VERSION 1
	Item text1: 1.180-151.0/-154.0					
2	9.084-139.0	Cable with plug *EU	1.000	ST		
	Item text1: 1.180-150.0 /-153.0					
2	9.084-290.0	Cable with plug 3G1 *CH	1.000	ST		
	Item text1: 1.180-156.0					
1	9.085-013.0	Capacitor 25mF	1.000	ST		
	Item text1: 1.180-150.0 /-153.0 /-156.0					
1	9.085-095.0	Capacitor 32uF	1.000	ST	VERSION 1/A + V2	
	Item text1: 1.180-151.0/-154.0					
0	9.001-768.0	Electric box spare part	1.000	ST	VERSION 1/A + V2	
	Item text1: 1.180-151.0/-154.0					
0	9.001-770.0	Electric box spare part	1.000	ST		
	Item text1: 1.180-156.0					
0	9.001-767.0	Electric box spare part	1.000	ST		
	Item text1: 1.180-150.0 /-153.0					
4	9.080-465.0	Joint ring capacitor d.45, 70 Shore	1.000	ST		
5	9.081-417.0	O-Ring d.20 x 2	1.000	ST		
6	9.037-441.0	Spacer electric box WCM	1.000	ST		
0	9.002-397.0	spare part ebox 9013-3800	1.000	ST	VERSION 1/B	
	Item text1: 1.180-151.0 /-154.0					



spare part ebox 9013-3800 (9.002-397.0)

POS	Article no.	Description	Quantity	Unit
80	9.084-144.0	Cable with plug	1.000	ST
90	9.085-086.0	Capacitor WCM 35uF	1.000	ST
110	9.080-465.0	Joint ring capacitor d.45, 70 Shore	1.000	ST
100	9.080-494.0	OR 20x2 EPDM70ShA PTFE	1.000	ST