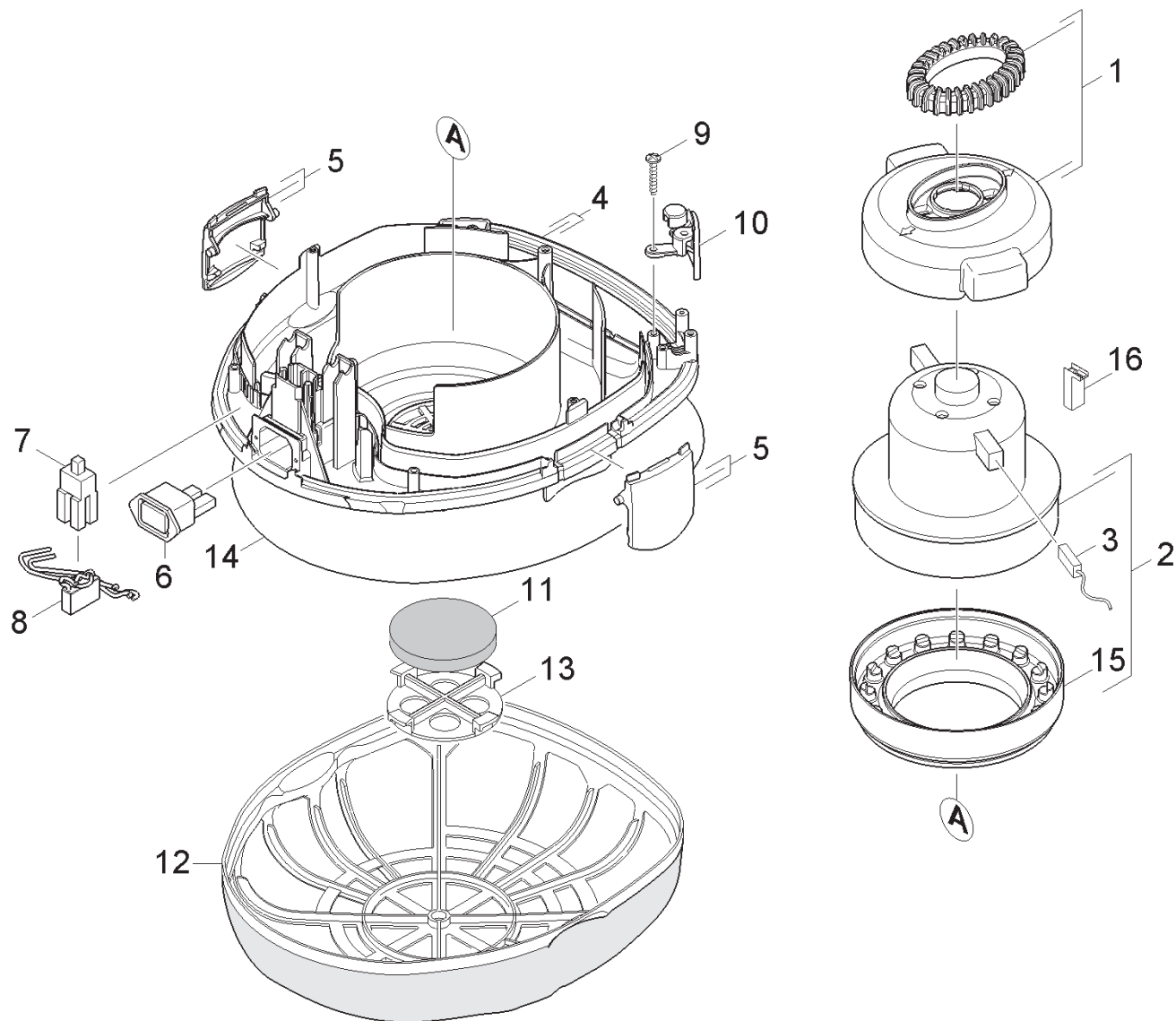


20 Vacuum motor

Overview technical documents/Professional/Vacuum cleaner/Dry vacuum cleaner/T 12/1 (1.355-134.0)/Spare parts list T 12/1 *EU/20 Vacuum motor



20 Vacuum motor

Overview technical documents/Professional/Vacuum cleaner/Dry vacuum cleaner/T 12/1 (1.355-134.0)/Spare parts list T 12/1 *EU/20 Vacuum motor

Rez.daļas/nodil.pakļ.daļas	Poz.	Materiāla Nr.	Nosaukums	Daudzums	Pārdoš. vienība	no sēr. Nr..	līdz sēr. Nr.
	1	4.605-071.0	Housing complete	1.000	ST	0000000000	0000000000
X-X	2	4.610-066.0	Motor	1.000	ST	0000000000	0000000000
	3	6.610-258.0	Cabon brush set	1.000	ST	0000000000	0000000000
	4	4.605-070.0	Housing complete	1.000	ST	0000000000	0000000000
X-X	5	5.033-412.0	Locking clip	2.000	ST		
	6	6.646-200.0	Plug socket	1.000	ST	0000000000	0000000000
X-X	7	6.630-437.0	Ieslēgšanas/izslēgšanas slēdzis	1.000	ST	0000000000	0000000000
	8	4.839-333.0	electrical small partst 12/1	1.000	ST	0000000000	0000000000
X	9	7.303-084.0	Skrūve 4x25 -10.9-R2R (K-In6Rd)	2.000	ST	0000000000	0000000000
	10	5.032-672.0	Strain relief	1.000	ST	0000000000	0000000000
X-X	11	6.414-611.0	Filtri 5 gab.	1.000	ZSA	0000000000	0000000000
X	12	4.731-011.0	Filtering basket packaged	1.000	ST		
	13	5.032-674.0	Grate filter motor protecting	1.000	ST	0000000000	0000000000
	14	6.273-240.0	Seal string cellular rubber D6	1.000	ST	0000000000	0000000000
	15	5.363-618.0	Bearing motor bottom T12/1	1.000	ST		
	16	6.490-268.0	Thermal switch 130°C	1.000	ST		