

Spare parts list

(1.527-150.0) T 10/1 *EU

Table of contents

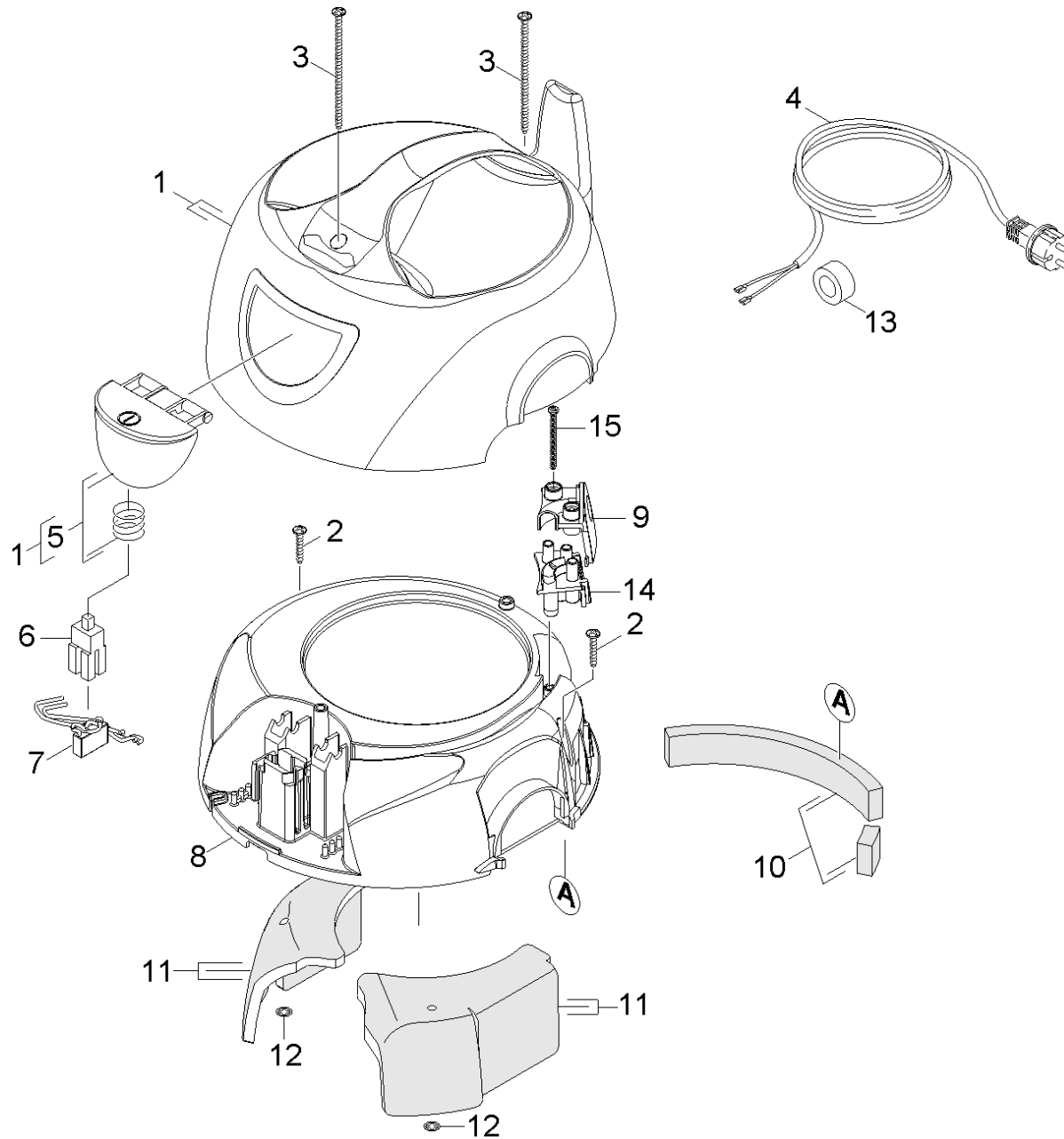
T 10/1 *EU (1.527-150.0)	3
5 Spare parts list T 10/1 *EU (5.971-965.0)	4
10 Housing	5
5 Pushbutton complete T 7/1 (4.324-023.0)	7
11 Insulating mat set (6.286-505.0)	8
20 Vacuum motor	9
1 Housing turbine complete (4.605-071.0)	11
2 Vacuum motor complete 230V (4.610-066.0)	13
11 Insulating mat set (6.286-505.0)	14
30 Tank	15
1 Tank complete (4.071-257.0)	17
4 Wheel complete T 7/1 (4.515-257.0)	19
40 Accessories	21
5 Spare parts list T 10/1 *EU ERP2 (5.979-060.0)	23
10 Housing	24
5 Pushbutton complete T 7/1 (4.324-023.0)	26
11 Insulating mat set (6.286-505.0)	27
20 Vacuum motor	28
1 Housing turbine complete (4.605-071.0)	30
1 Housing complete (4.605-123.0)	32
2 Vacuum motor complete 850W (4.610-027.0)	34
2 Vacuum motor complete 700W (4.610-112.0)	36
6 Housing complete (4.605-163.0)	38
11 Insulating mat set (6.286-505.0)	40
30 Tank	41
1 Tank complete (4.071-257.0)	43
4 Wheel complete T 7/1 (4.515-257.0)	45
40 Accessories	47
11 Hose packaged NW35 1,5m (2.889-132.0)	52
11 Hose packaged NW35 2.5m (2.889-133.0)	54
11 Hose packaged NW35 2.0m (2.889-161.0)	56
12 Elbow packaged antistatic NW35 2K (2.889-148.0)	58
16 Floor tool TURBO DN 35/32 (2.860-114.0)	60
1 Turbo nozzle bottom DN32 (6.903-885.0)	61
20 Combination nozzle basalt grey packaged (2.889-179.0)	62
21 Parquet nozzle packaged D360 NW35 (2.889-196.0)	63
33 Adapter old packaged NW35 (2.889-312.0)	64

T 10/1 *EU (1.527-150.0)

POS	Article no.	Description	Quantity	Unit	valid from	valid until
5	5.971-965.0	Spare parts list T 10/1 *EU	1	PC		549999
5	5.979-060.0	Spare parts list T 10/1 *EU ERP2	1	PC	550000	

5 Spare parts list T 10/1 *EU (5.971-965.0)

POS	Description	Quantity	Unit
10	Housing	1	PC
20	Vacuum motor	1	PC
30	Tank	1	PC
40	Accessories	1	PC



10 Housing

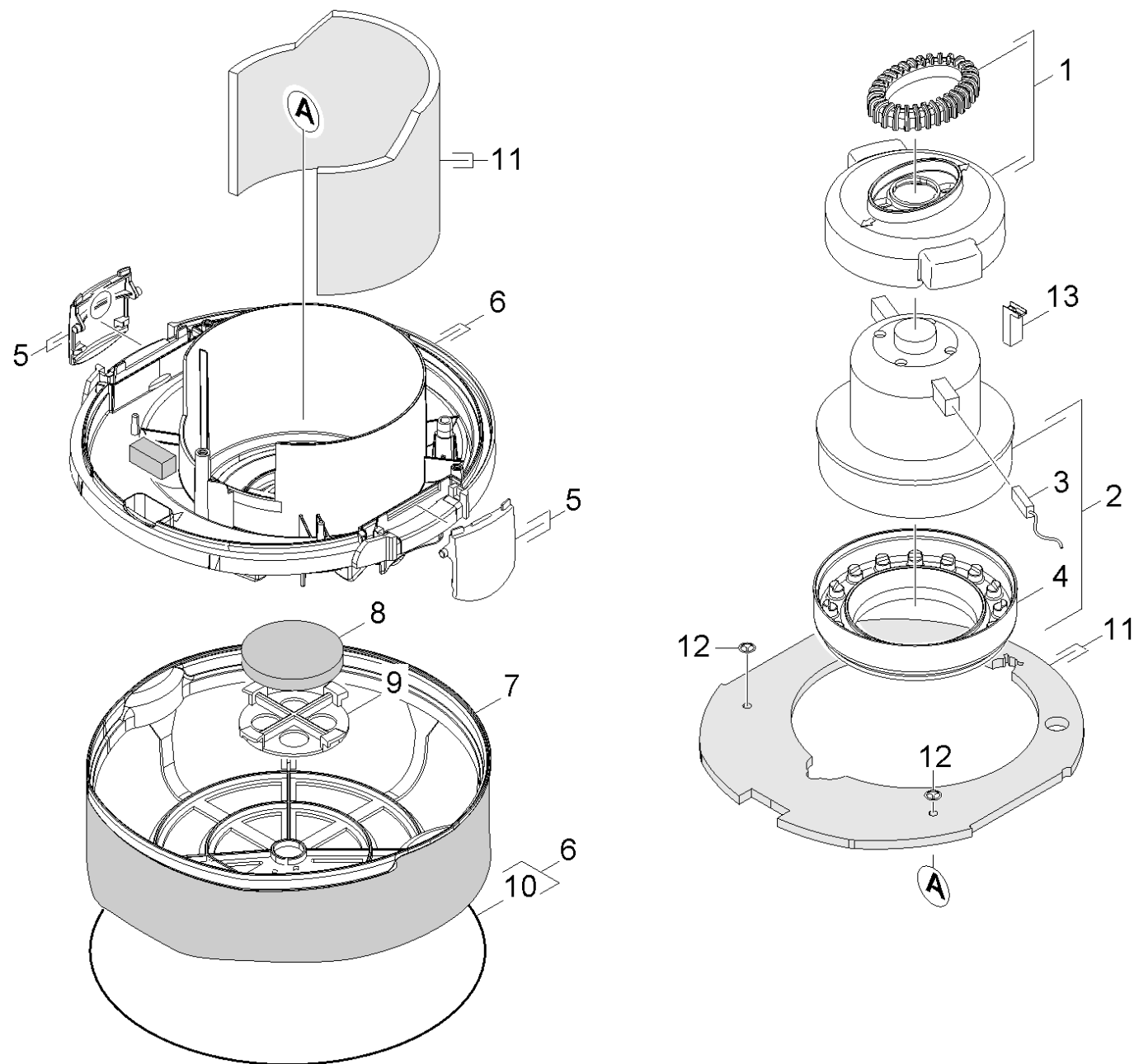
POS	Article no.	Description	Quantity	Unit
1	4.069-003.0	Cover complete T 7/1	1	PC
2	7.303-084.0	Screw 4x25 -10.9-R2R (K-In6Rd)	2	PC
3	7.303-155.0	Screw 5x100-A2-70 (IN6RD)	2	PC
4	6.649-296.0	Power cable PVC 10m *EU	1	PC
5	4.324-023.0	Pushbutton complete T 7/1	1	PC
6	6.630-032.0	Switch	1	PC
7	4.839-357.0	Electrical small parts T 7/1	1	PC
8	5.692-126.0	Air circulation eco!efficiency	1	PC
9	5.032-888.0	Strain relief T 7/1	1	PC
10	2.889-081.0	Filter blowing filter 3 St.	1	PC
11	6.286-505.0	Insulating mat set	1	PC
12	6.343-145.0	Lock washer 5	2	PC
13	6.346-043.0	Ferrite ring	1	PC
14	5.033-584.0	Adapter strain relief	1	PC
15	6.303-547.0	Screw 4x50 -10.9-IN6RD T20	2	PC

5 Pushbutton complete T 7/1 (4.324-023.0)

POS	Article no.	Description	Quantity	Unit
2	5.332-523.0	Spring switch	1	PC

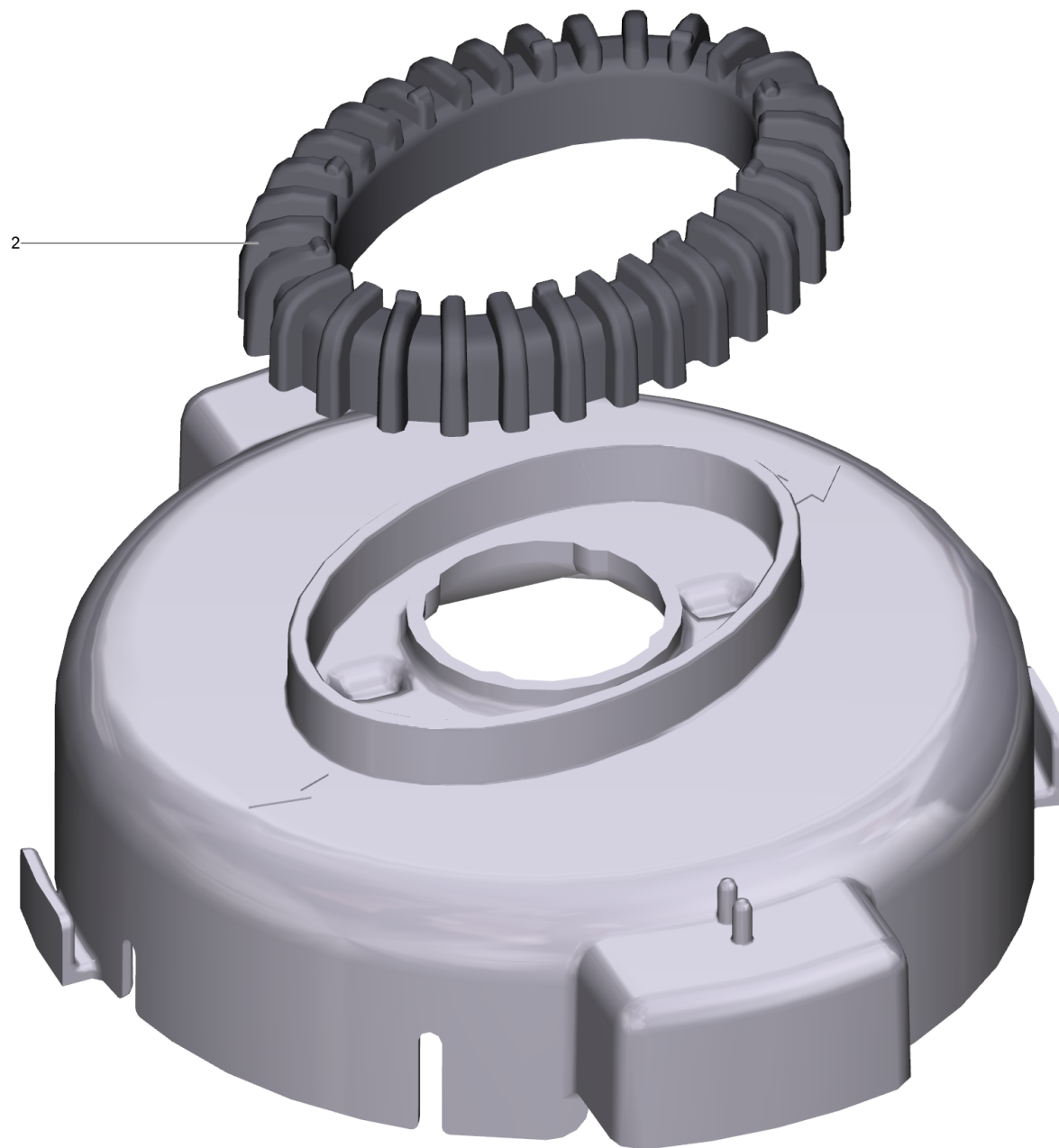
11 Insulating mat set (6.286-505.0)

POS	Article no.	Description	Quantity	Unit
5	6.343-145.0	Lock washer 5	4	PC



20 Vacuum motor

POS	Article no.	Description	Quantity	Unit
1	4.605-071.0	Housing turbine complete	1	PC
2	4.610-066.0	Vacuum motor complete 230V	1	PC
2	6.490-180.0	Vacuum motor 230V	1	PC
	Item text1: without SEAL			
3	6.610-258.0	Carbon brush set	1	PC
4	5.363-618.0	Bearing motor bottom T12/1	1	PC
5	5.033-412.0	Locking clip	2	PC
6	4.605-121.0	Housing complete	1	PC
7	5.731-649.0	Filtering basket packaged	1	PC
8	6.414-611.0	Filter 5 St.	1	ZSA
9	5.032-674.0	Grate filter motor protecting	1	PC
10	6.273-261.0	Seal string cellular rubber D6 850 +/-5	1	PC
11	6.286-505.0	Insulating mat set	1	PC
12	6.343-145.0	Lock washer 5	2	PC
13	6.490-274.0	Thermal switch 125°C	1	PC



1 Housing turbine complete (4.605-071.0)

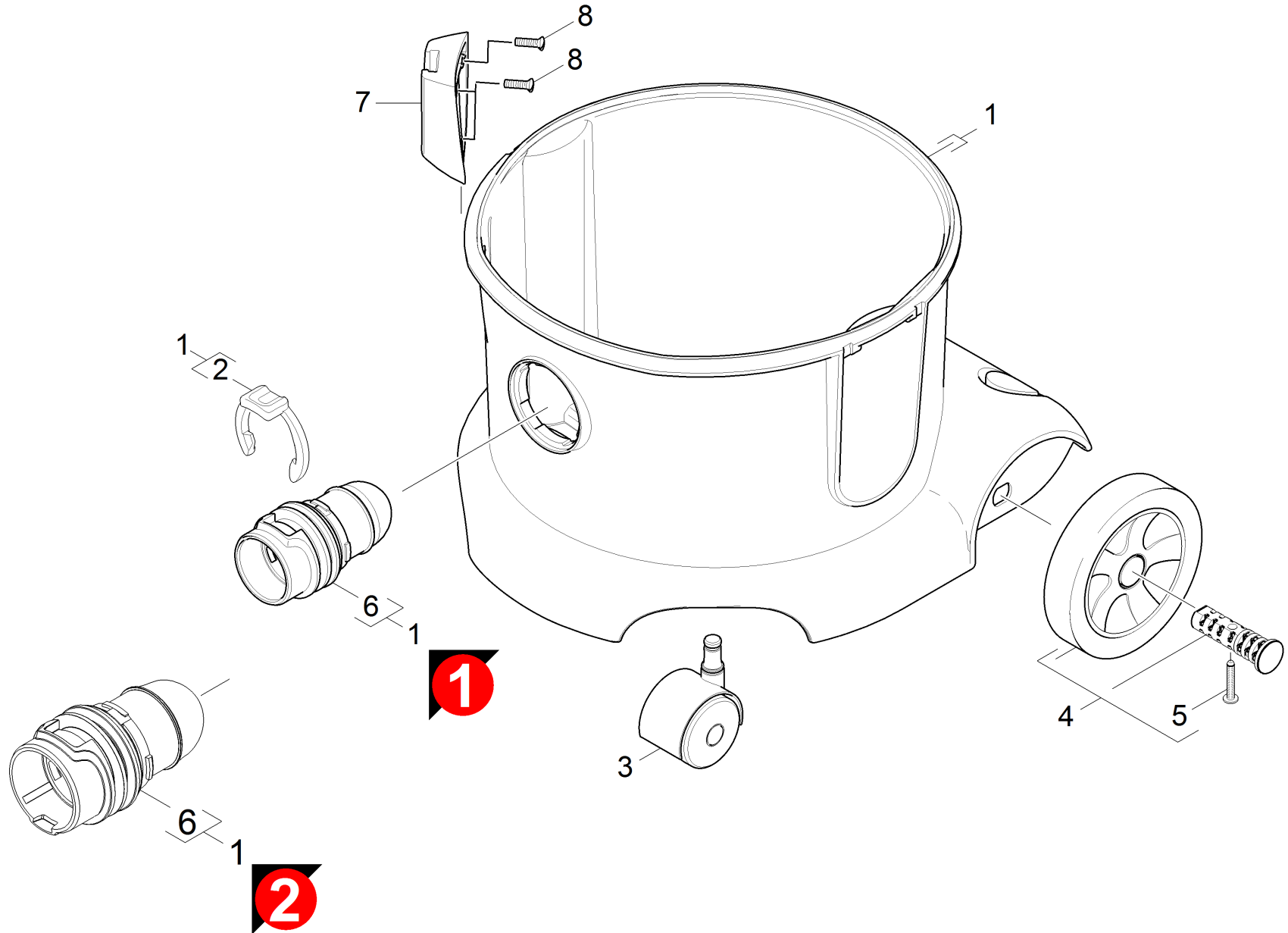
POS	Article no.	Description	Quantity	Unit
2	5.363-619.0	Engine support above	1	PC

2 Vacuum motor complete 230V (4.610-066.0)

POS	Article no.	Description	Quantity	Unit
1	6.490-180.0	Vacuum motor 230V	1	PC
2	5.363-618.0	Bearing motor bottom T12/1	1	PC
3	6.610-258.0	Carbon brush set	1	PC
4	6.490-268.0	Thermal switch 130°C	1	PC

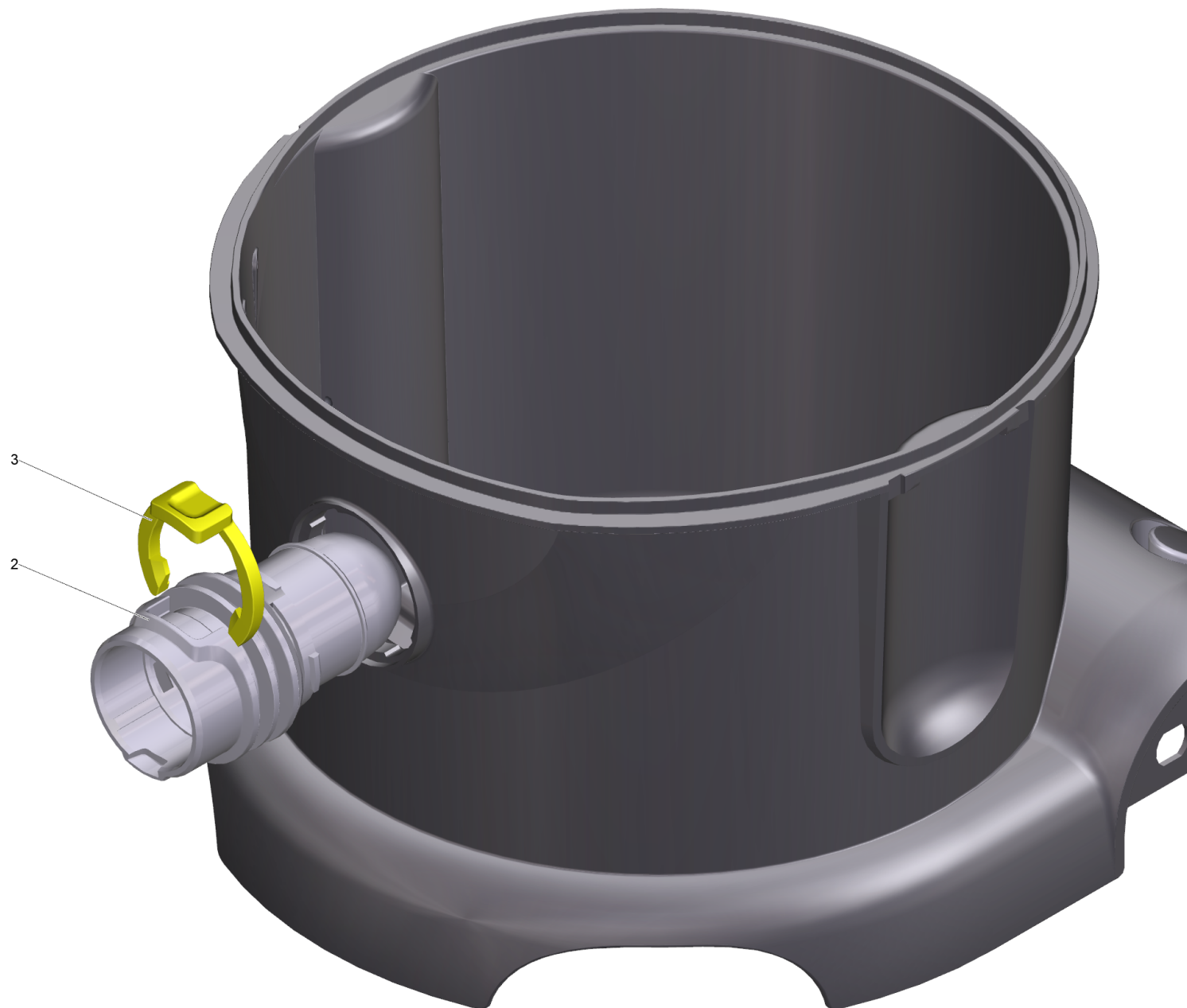
11 Insulating mat set (6.286-505.0)

POS	Article no.	Description	Quantity	Unit
5	6.343-145.0	Lock washer 5	4	PC



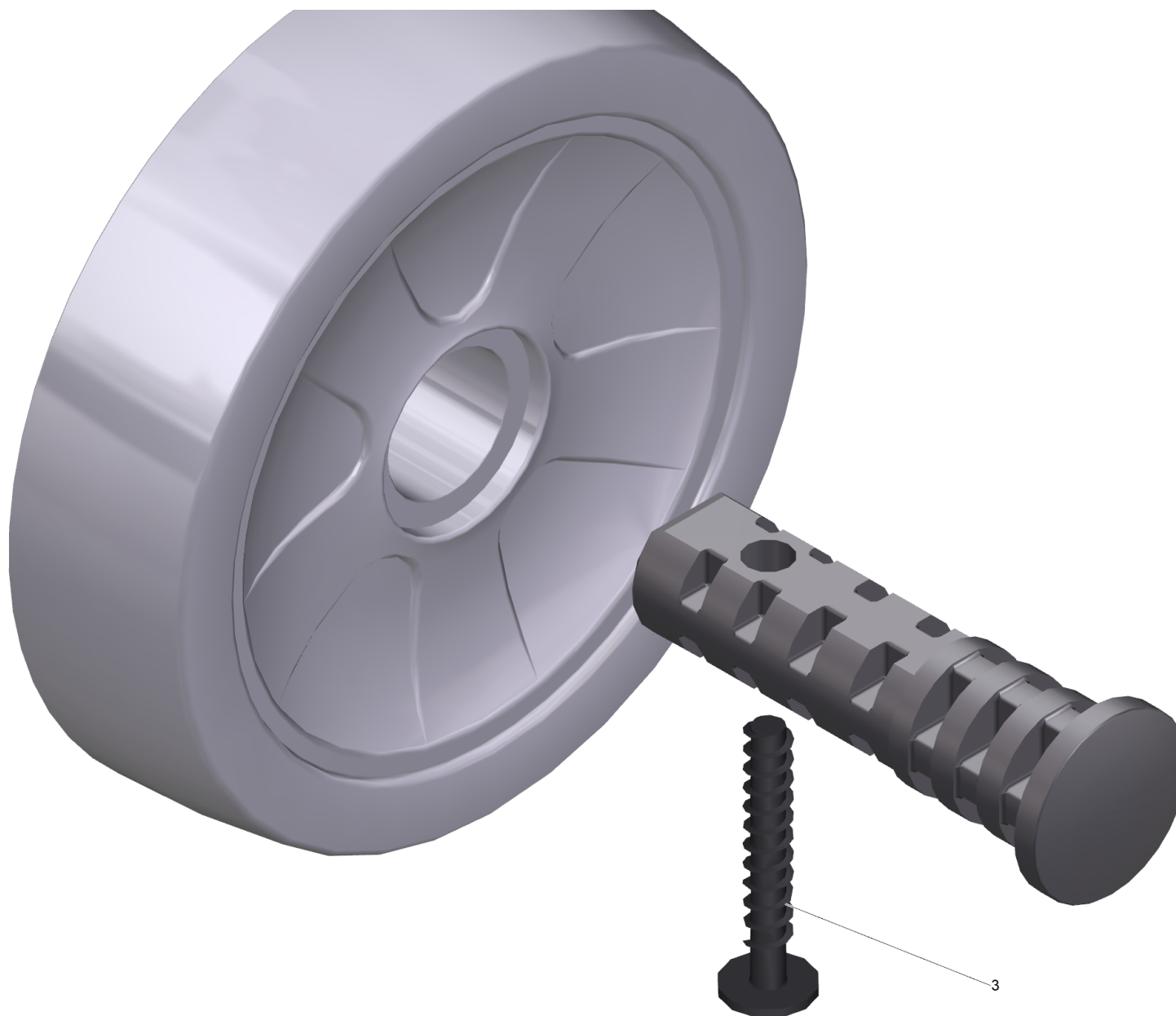
30 Tank

POS	Article no.	Description	Quantity	Unit	Remark
1	4.070-800.0	Tank complete	1	PC	Version 1
1	4.071-257.0	Tank complete	1	PC	Version 2
2	5.343-022.0	Locking ring	1	PC	
3	2.889-003.0	Set castor	2	PC	
4	4.515-257.0	Wheel complete T 7/1	1	PC	
5	7.303-086.0	Screw 5x30 -10.9-R2R (K-In6Rd)	2	PC	
6	5.034-163.0	Suction connection T	1	PC	Version 2
7	5.032-915.0	Moulded part retainer accessories	1	PC	
8	7.303-129.0	Screw 4x16-10.9-R2R (K-In6Rd)	3	PC	



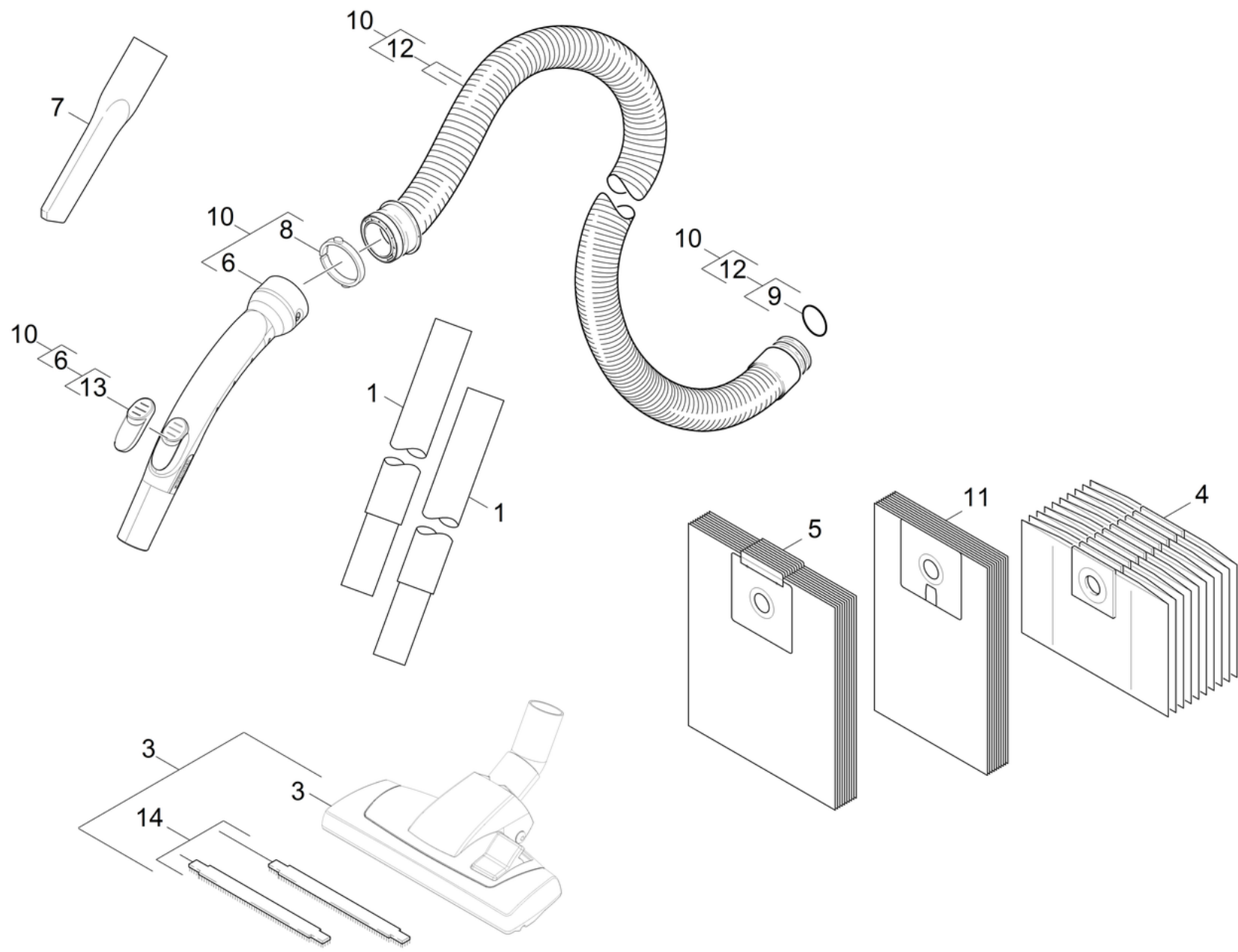
1 Tank complete (4.071-257.0)

POS	Article no.	Description	Quantity	Unit
2	5.034-163.0	Suction connection T	1	PC
3	5.343-022.0	Locking ring	1	PC



4 Wheel complete T 7/1 (4.515-257.0)

POS	Article no.	Description	Quantity	Unit
3	7.303-086.0	Screw 5x30 -10.9-R2R (K-In6Rd)	2	PC

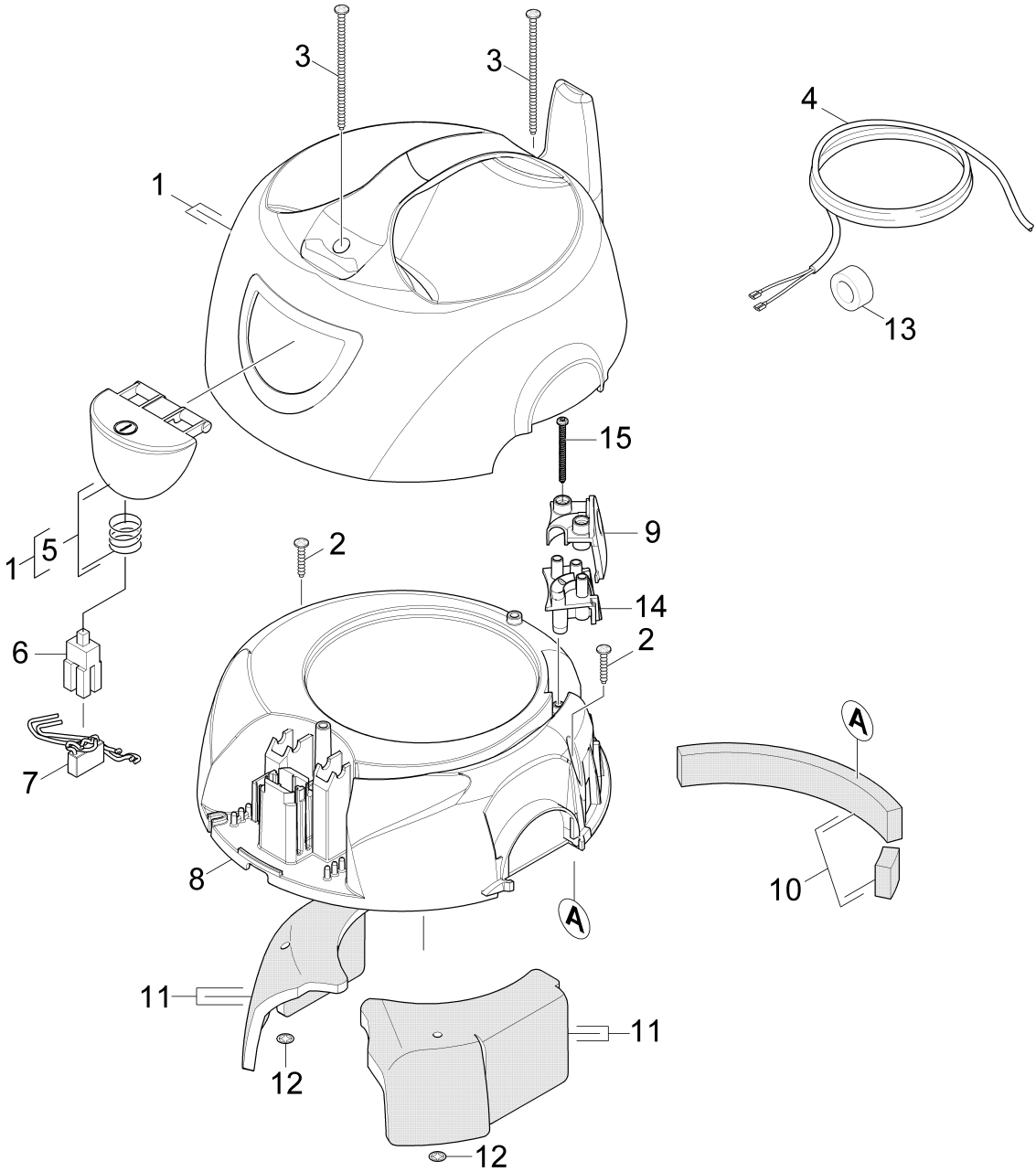


40 Accessories

POS	Article no.	Description	Quantity	Unit	Foot note text
1	6.906-618.0	Suction tube black DN32	2	PC	
3	6.907-467.0	Combination nozzle packaged RD 270 NW32	1	PC	
4	6.904-333.0	Paper filtering bag 10 St. Kärcher	1	PC	
5	6.904-315.0	Filter bag fleece	1	PC	
6	4.408-051.0	Tube elbow AS	1	PC	
7	6.903-403.0	Crevice nozzle DN32	1	PC	
8	5.031-703.0	Tension ring C35	1	PC	
9	6.363-182.0	O-Ring seal 30,2 x 3,0	1	PC	
10	4.440-907.0	Suction hose with elbow NW32	1	PC	ANTISTATIC
10	4.440-982.0	Suction hose C-NW32, kpl. el.	1	PC	electrically conducting
11	6.904-370.0	Paper filtering bag Basic 10 Stck.	1	PC	
12	4.440-911.0	Suction hose complete NW32	1	PC	
13	5.032-729.0	Slider	1	PC	
14	6.905-027.0	Set thread clipper RD 270 NW32	1	PC	

5 Spare parts list T 10/1 *EU ERP2 (5.979-060.0)

POS	Description	Quantity	Unit
10	Housing	1	PC
20	Vacuum motor	1	PC
30	Tank	1	PC
40	Accessories	1	PC



10 Housing

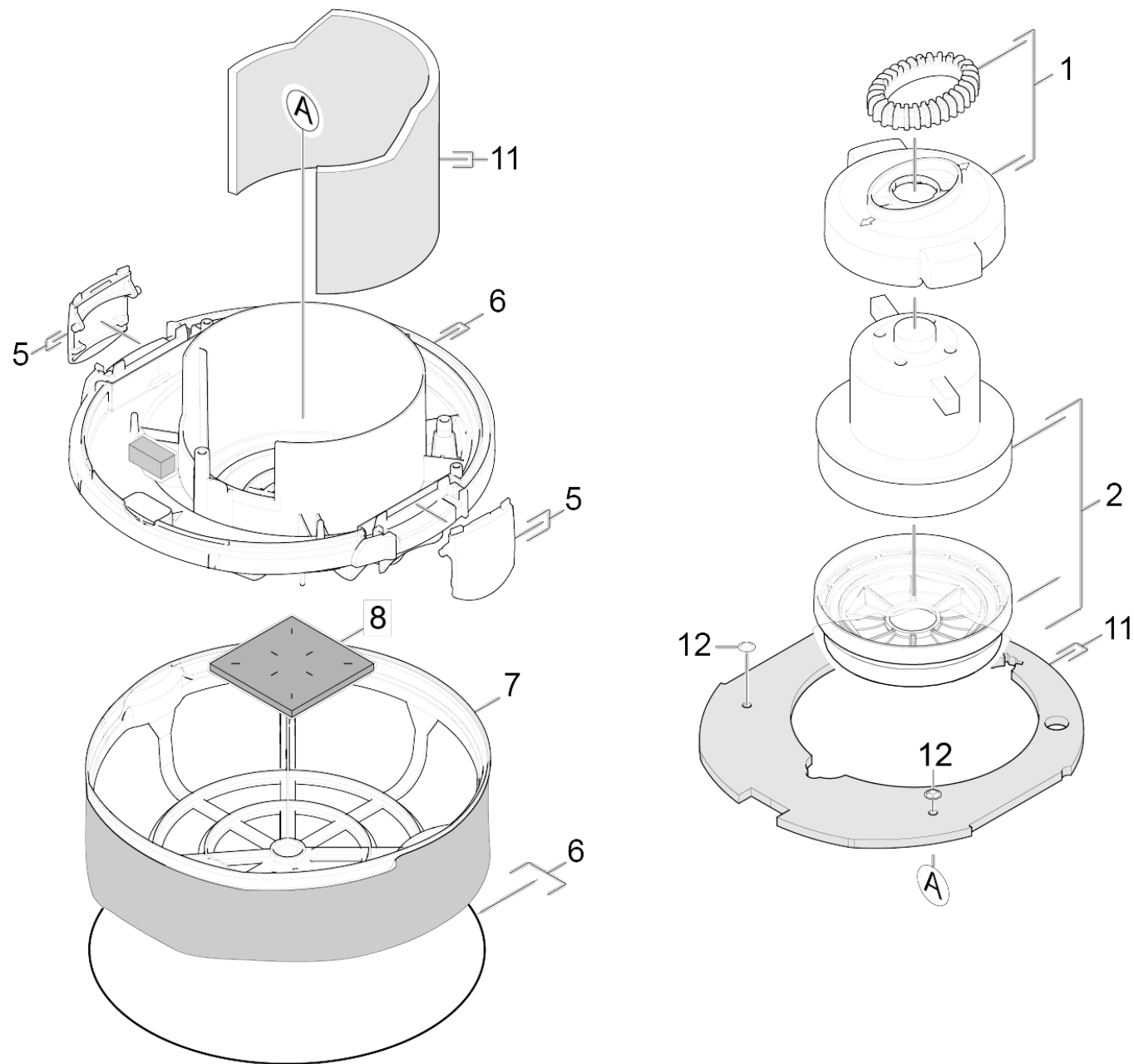
POS	Article no.	Description	Quantity	Unit
1	4.069-003.0	Cover complete T 7/1	1	PC
2	7.303-084.0	Screw 4x25 -10.9-R2R (K-In6Rd)	2	PC
3	7.303-155.0	Screw 5x100-A2-70 (IN6RD)	2	PC
4	6.650-631.0	Power cable yellow 10m PVC *EU	1	PC
5	4.324-023.0	Pushbutton complete T 7/1	1	PC
6	6.630-032.0	Switch	1	PC
7	4.839-357.0	Electrical small parts T 7/1	1	PC
8	5.692-116.0	Air circulation basalt grey RAL 7012	1	PC
9	5.032-888.0	Strain relief T 7/1	1	PC
10	2.889-095.0	Set filter blowing filter eco!efficiency	1	PC
11	6.286-505.0	Insulating mat set	1	PC
12	6.343-145.0	Lock washer 5	2	PC
13	6.346-043.0	Ferrite ring	1	PC
14	5.033-584.0	Adapter strain relief	1	PC
15	6.303-547.0	Screw 4x50 -10.9-IN6RD T20	2	PC

5 Pushbutton complete T 7/1 (4.324-023.0)

POS	Article no.	Description	Quantity	Unit
2	5.332-523.0	Spring switch	1	PC

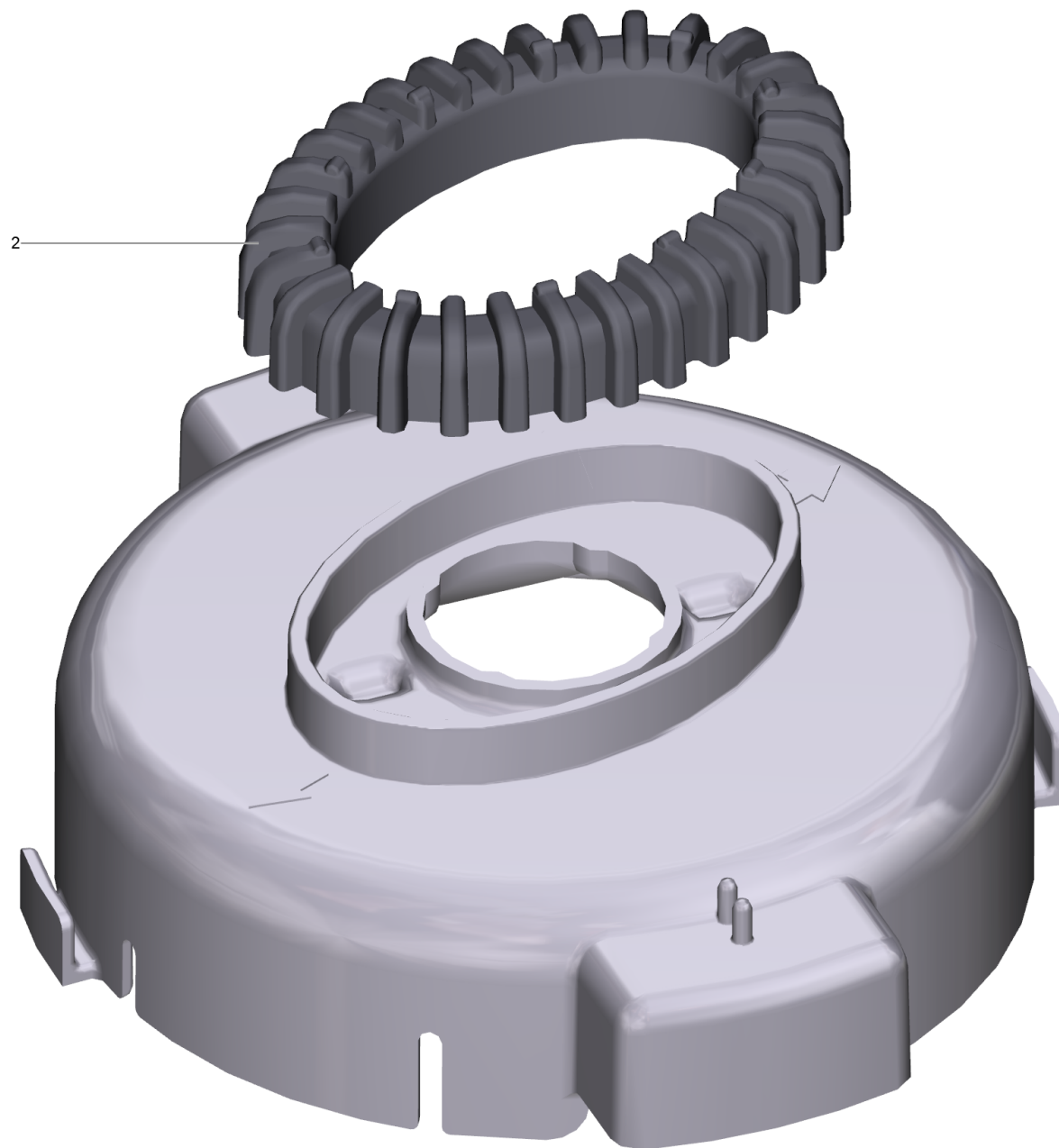
11 Insulating mat set (6.286-505.0)

POS	Article no.	Description	Quantity	Unit
5	6.343-145.0	Lock washer 5	4	PC



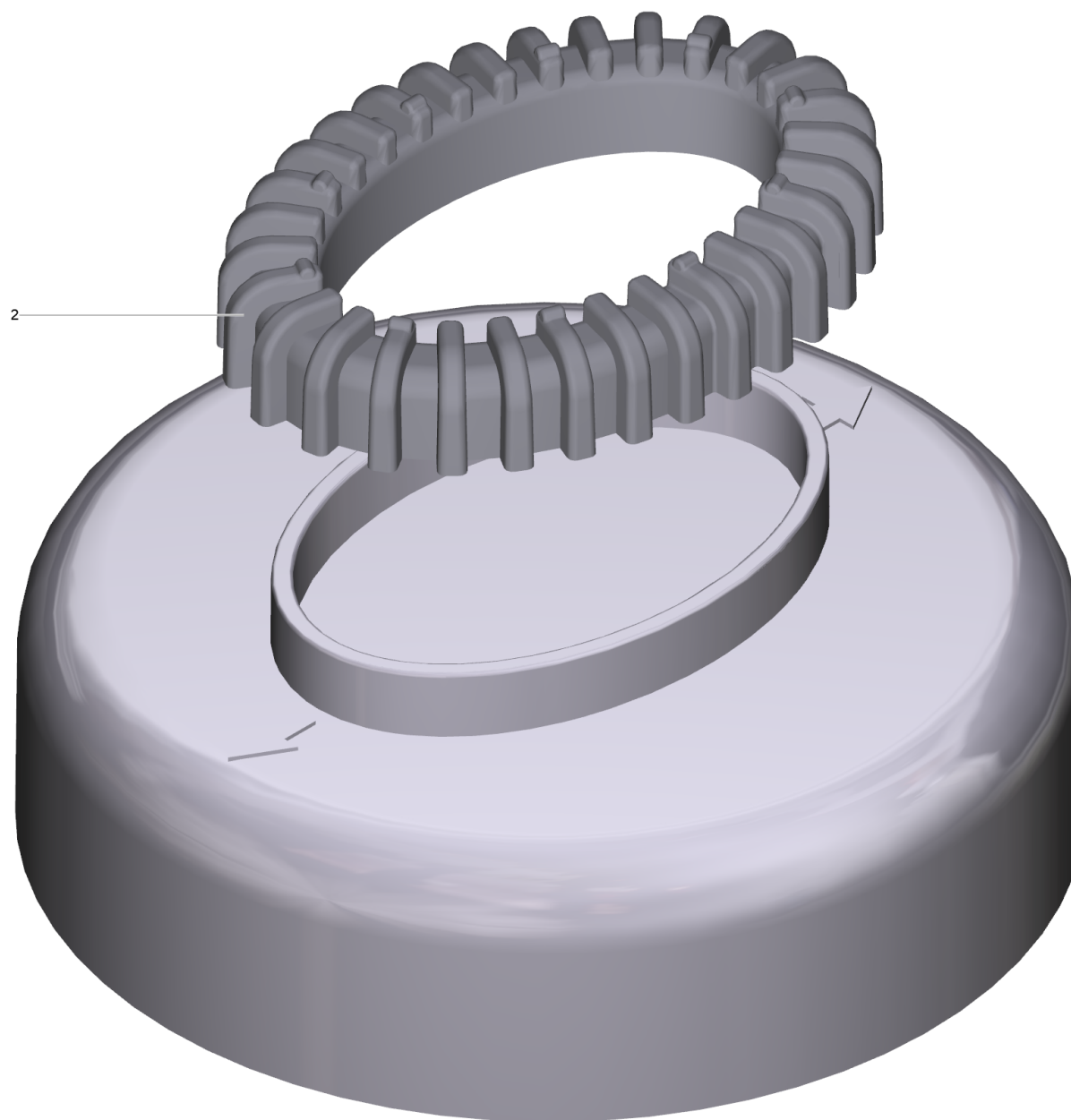
20 Vacuum motor

POS	Article no.	Description	Quantity	Unit	Foot note text
1	4.605-071.0	Housing turbine complete	1	PC	ONLY FOR VACUUM MOTOR 4.610-027.0
1	4.605-123.0	Housing complete	1	PC	ONLY FOR VACUUM MOTOR 4.610-112.0
2	4.610-027.0	Vacuum motor complete 850W	1	PC	PAY ATTENTION TO VERSION
2	4.610-112.0	Vacuum motor complete 700W	1	PC	PAY ATTENTION TO VERSION
5	5.034-101.0	Locking clip	2	PC	
6	4.605-163.0	Housing complete	1	PC	
7	5.731-649.0	Filtering basket packaged	1	PC	
8	2.889-119.0	Set filter motor protecting	1	PC	
11	6.286-505.0	Insulating mat set	1	PC	
12	6.343-145.0	Lock washer 5	2	PC	



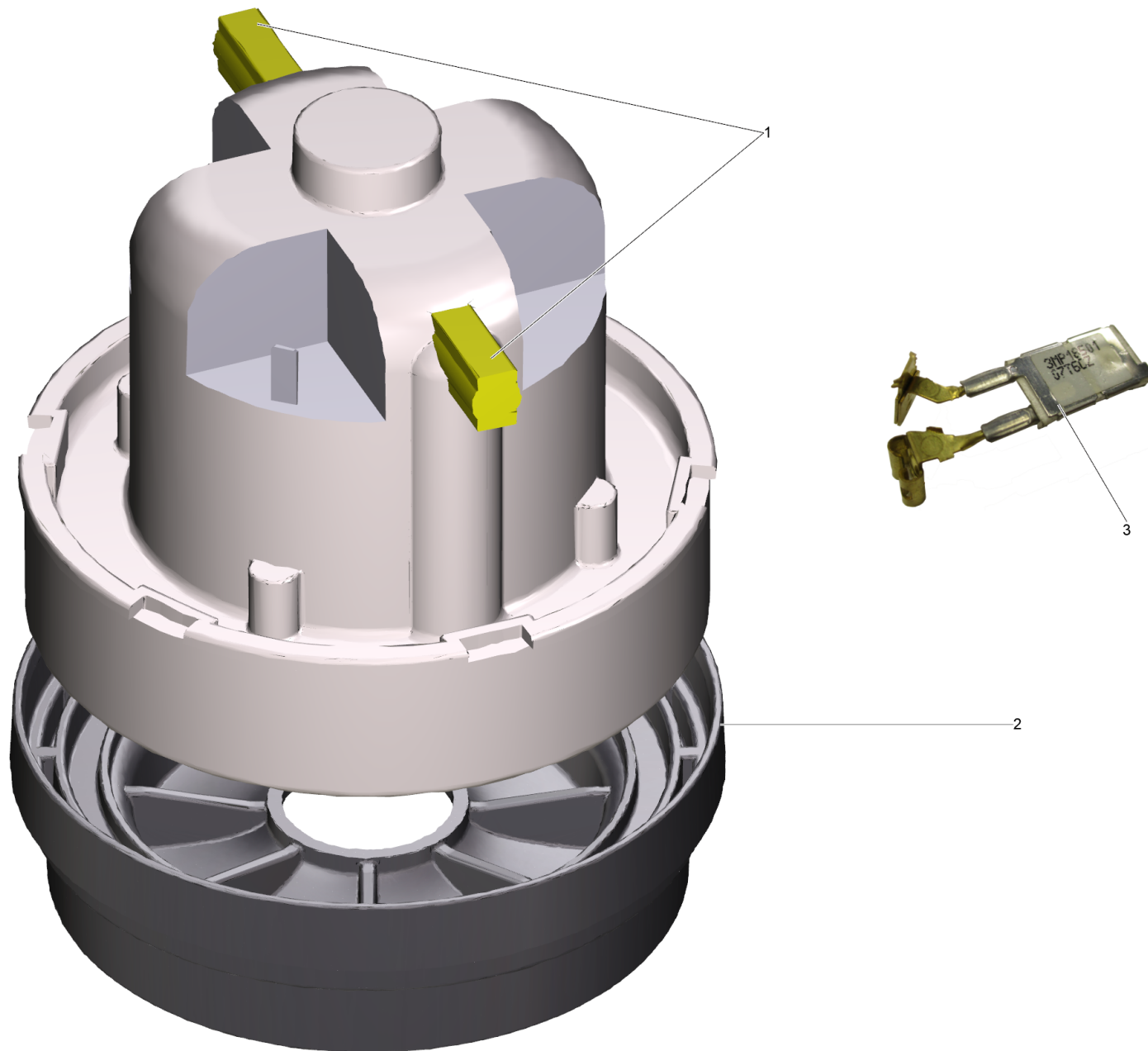
1 Housing turbine complete (4.605-071.0)

POS	Article no.	Description	Quantity	Unit
2	5.363-619.0	Engine support above	1	PC



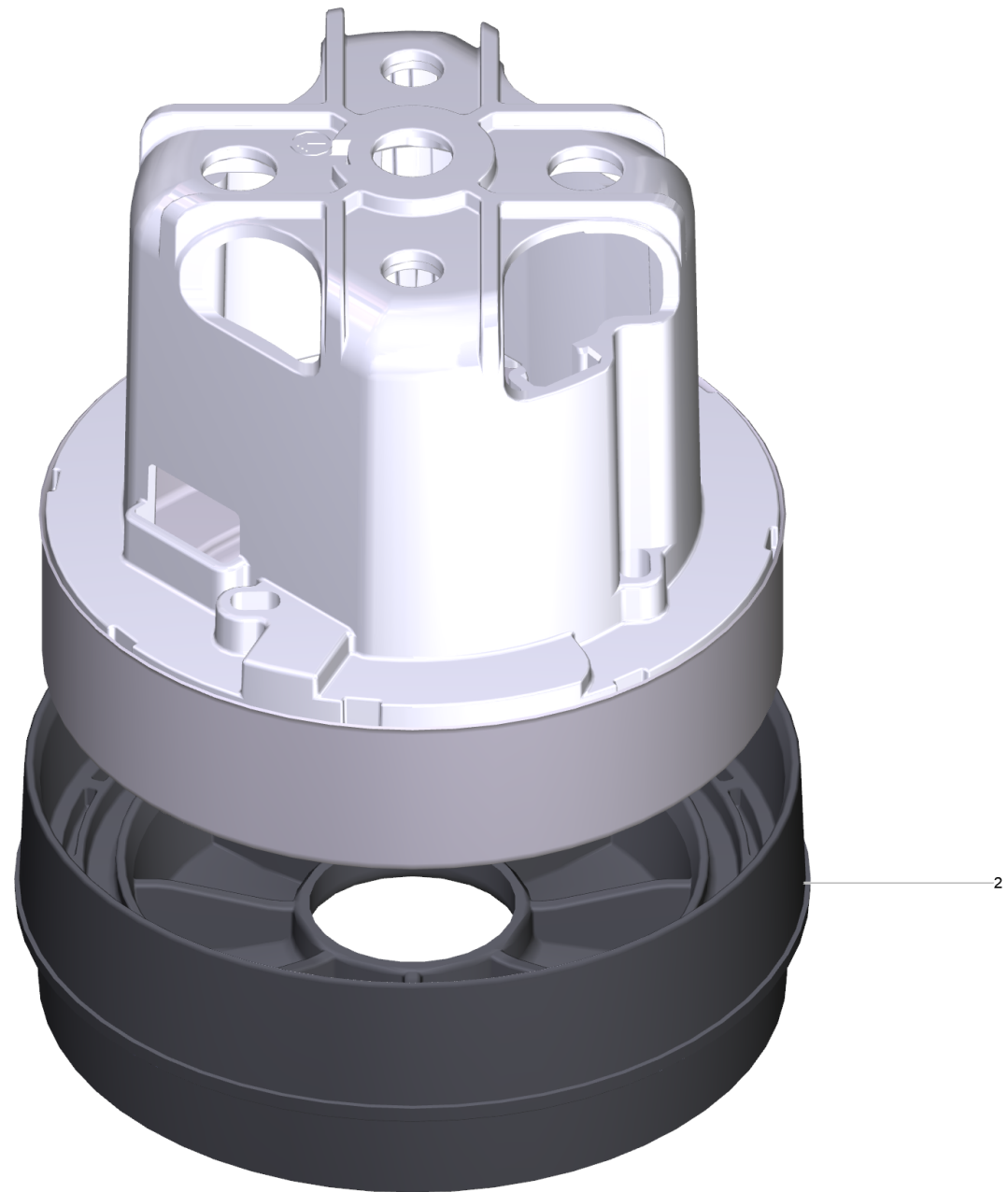
1 Housing complete (4.605-123.0)

POS	Article no.	Description	Quantity	Unit
2	5.363-619.0	Engine support above	1	PC



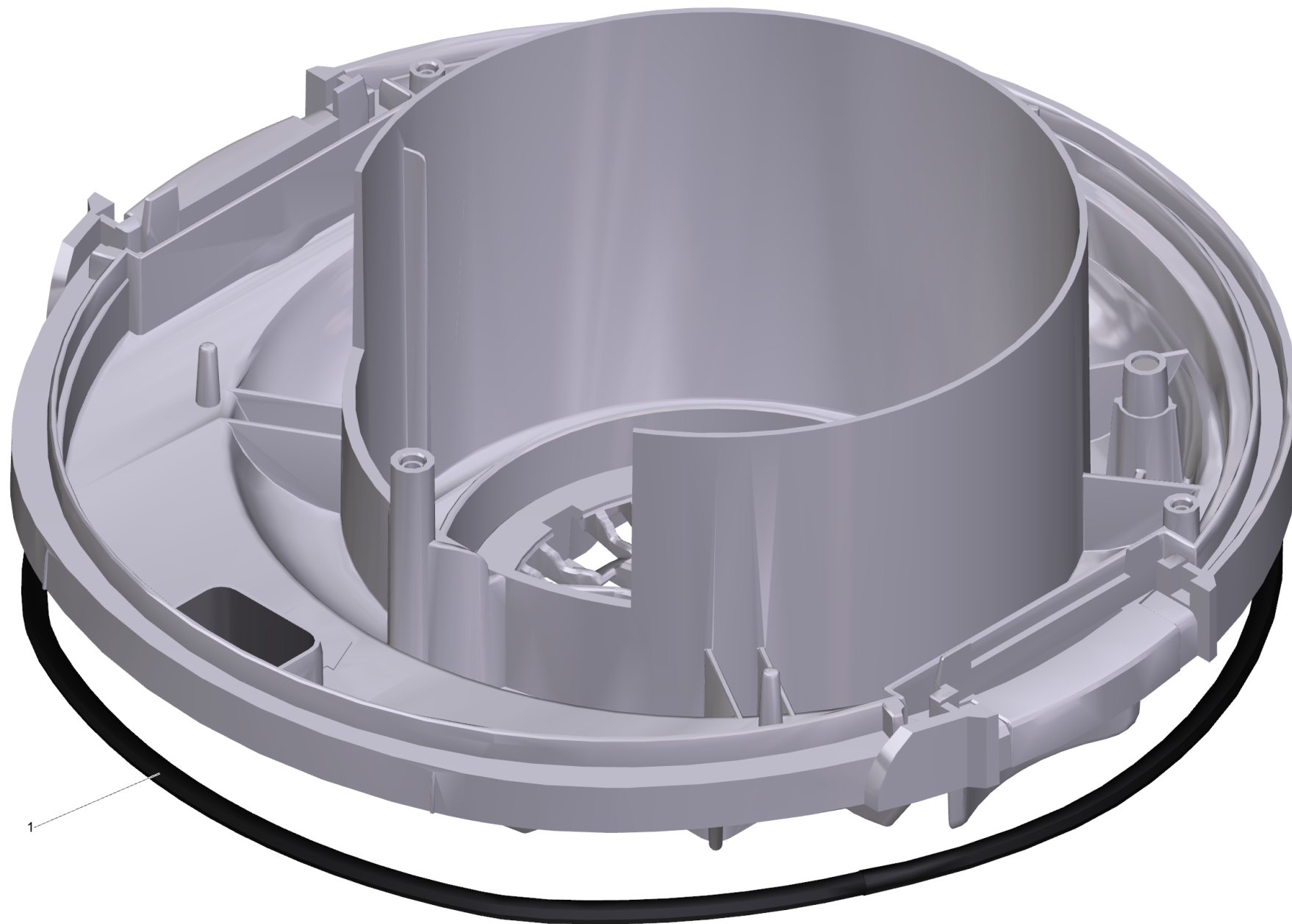
2 Vacuum motor complete 850W (4.610-027.0)

POS	Article no.	Description	Quantity	Unit
1	2.889-245.0	Set carbon brushes 850W & 550W	1	PC
2	5.363-221.0	Bearing motor bottom	1	PC
3	6.490-268.0	Thermal switch 130°C	1	PC



2 Vacuum motor complete 700W (4.610-112.0)

POS	Article no.	Description	Quantity	Unit
2	5.363-504.3	Bearing motor bottom Domel	1	PC

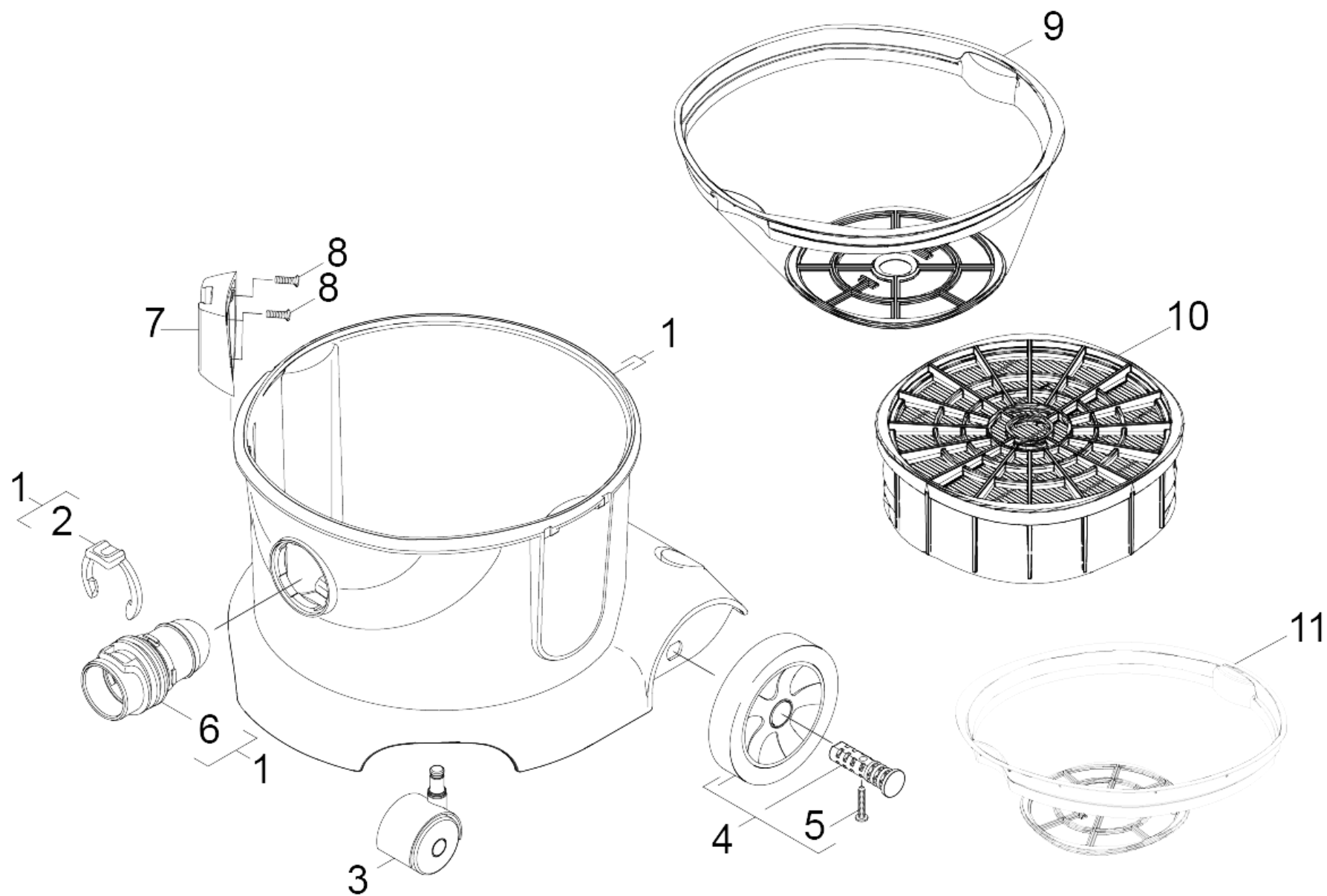


6 Housing complete (4.605-163.0)

POS	Article no.	Description	Quantity	Unit
1	6.273-261.0	Seal string cellular rubber D6 850 +/-5	1	PC

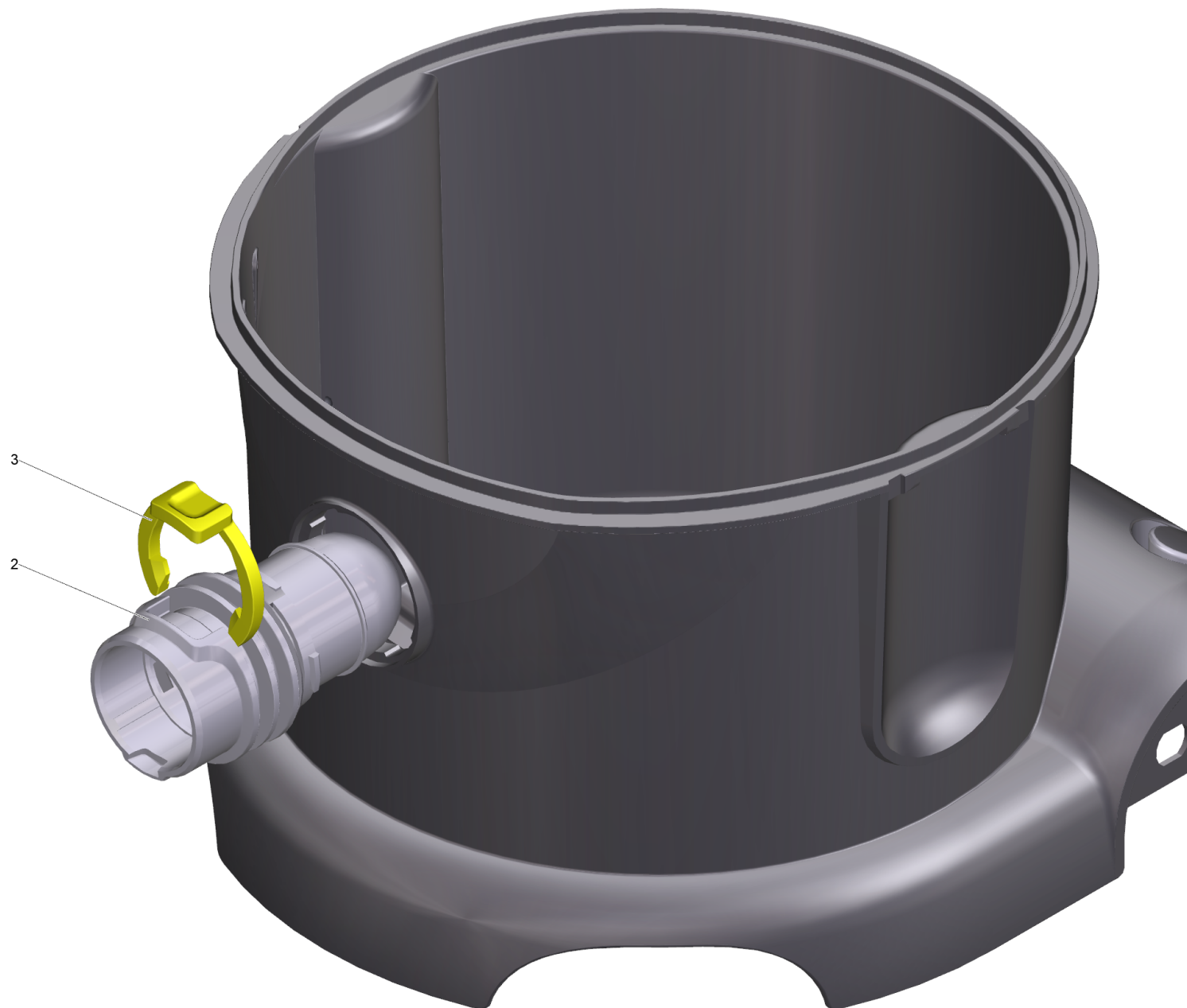
11 Insulating mat set (6.286-505.0)

POS	Article no.	Description	Quantity	Unit
5	6.343-145.0	Lock washer 5	4	PC



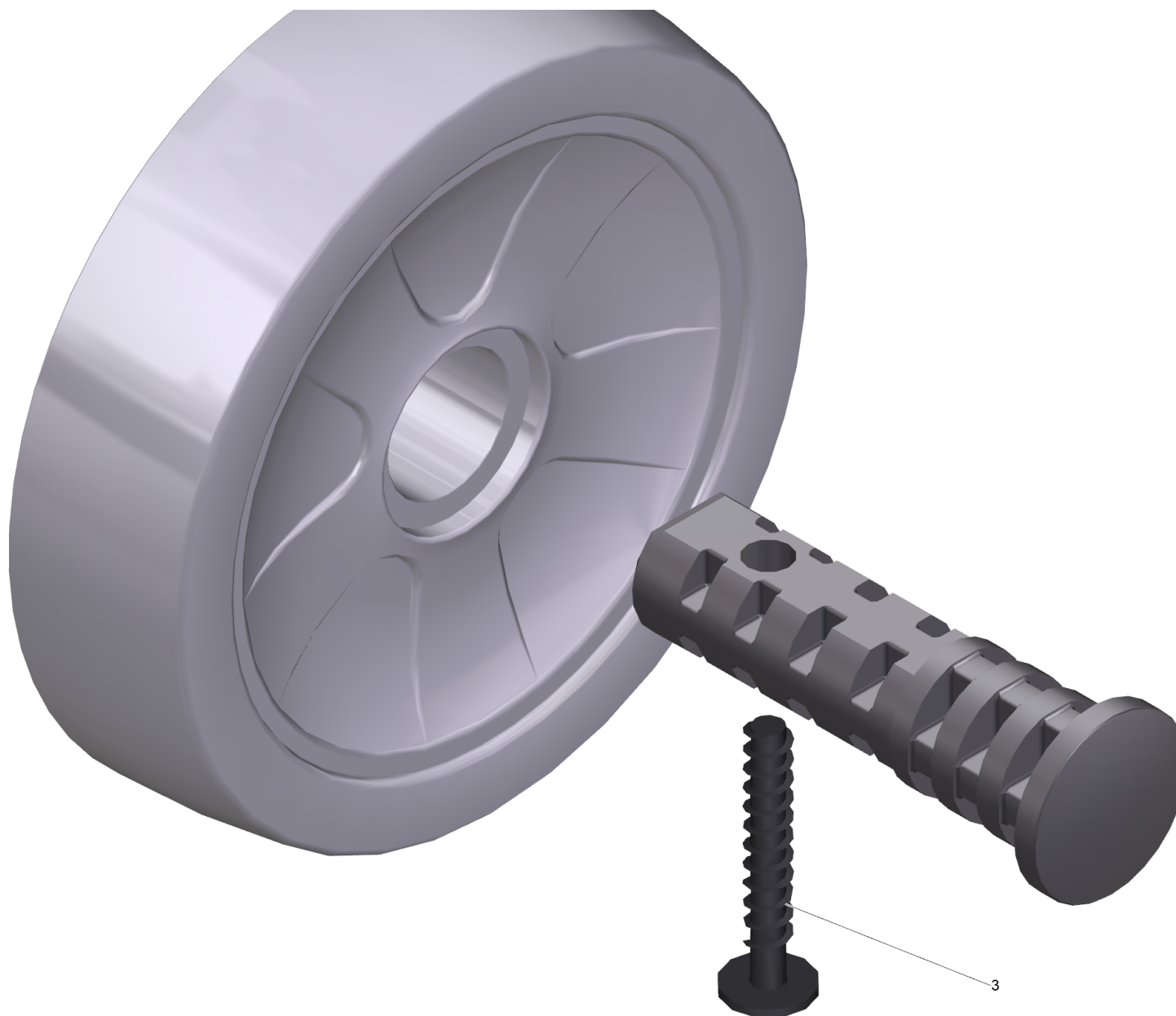
30 Tank

POS	Article no.	Description	Quantity	Unit
1	4.071-257.0	Tank complete	1	PC
2	5.343-022.0	Locking ring	1	PC
3	2.889-003.0	Set castor	2	PC
4	4.515-257.0	Wheel complete T 7/1	1	PC
5	7.303-086.0	Screw 5x30 -10.9-R2R (K-In6Rd)	2	PC
6	5.034-163.0	Suction connection T	1	PC
7	5.032-915.0	Moulded part retainer accessories	1	PC
8	7.303-129.0	Screw 4x16-10.9-R2R (K-In6Rd)	3	PC
9	2.889-292.0	Filtering basket packaged HEPA T 10/1	1	PC
10	2.889-293.0	Filter packaged HEPA T 10/1	1	PC
11	2.889-294.0	Set HEPA T 10/1	1	PC



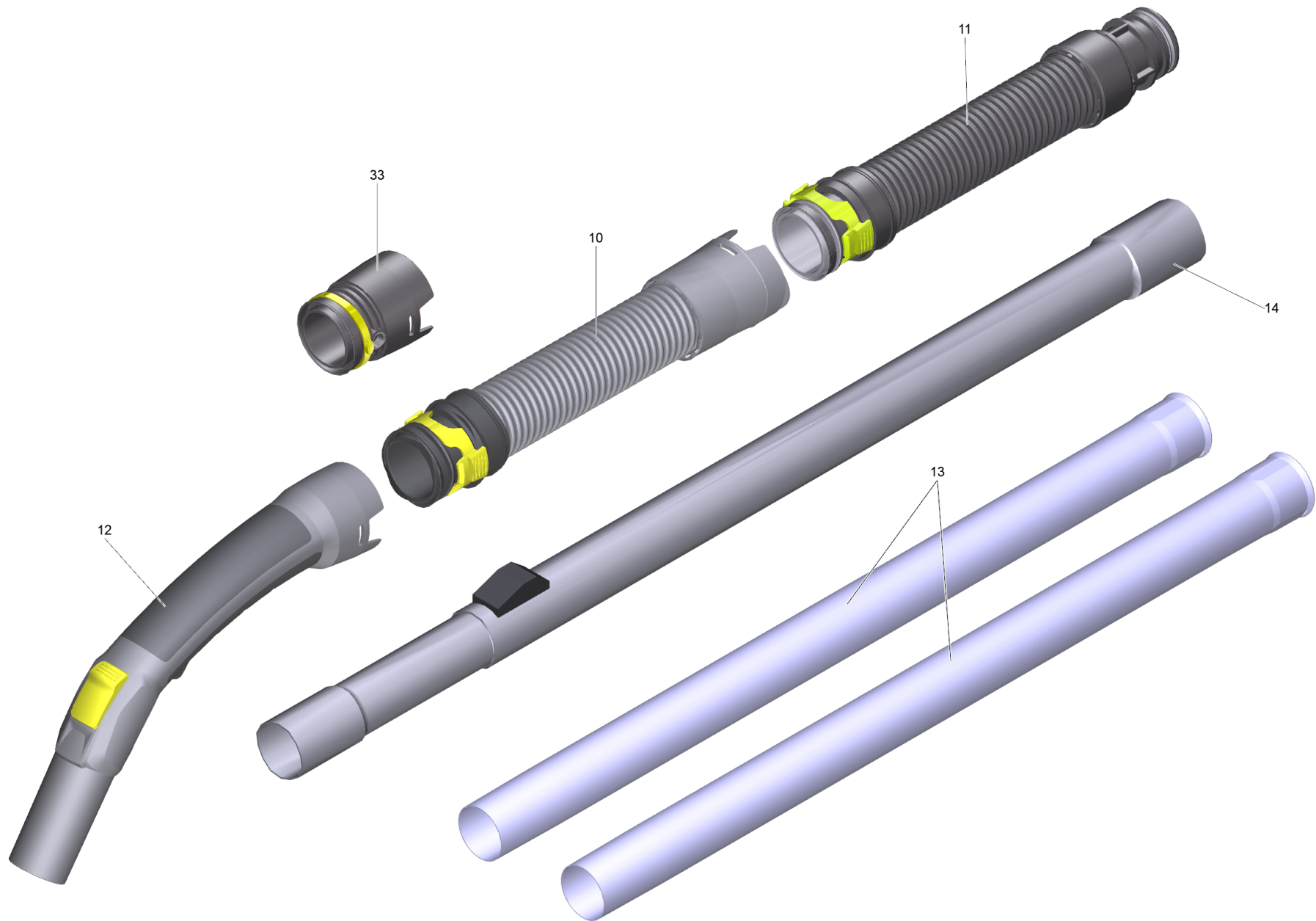
1 Tank complete (4.071-257.0)

POS	Article no.	Description	Quantity	Unit
2	5.034-163.0	Suction connection T	1	PC
3	5.343-022.0	Locking ring	1	PC



4 Wheel complete T 7/1 (4.515-257.0)

POS	Article no.	Description	Quantity	Unit
3	7.303-086.0	Screw 5x30 -10.9-R2R (K-In6Rd)	2	PC







31



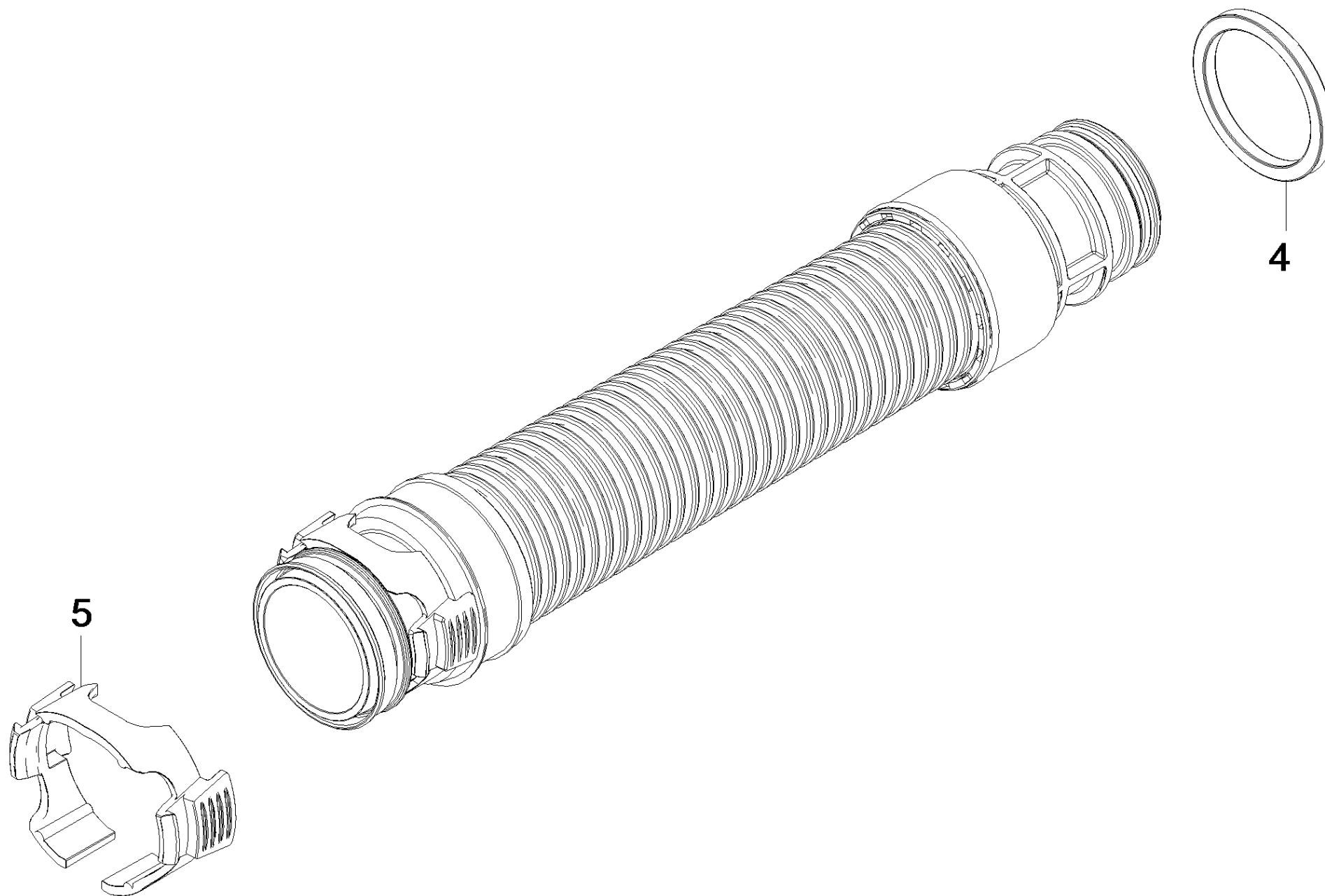
30

40 Accessories

POS	Article no.	Description	Quantity	Unit	Remark
10	2.889-145.0	Extension hose packaged NW35 2.5m	1	PC	
11	2.889-132.0	Hose packaged NW35 1,5m	1	PC	
11	2.889-133.0	Hose packaged NW35 2.5m	1	PC	
11	2.889-161.0	Hose packaged NW35 2.0m	1	PC	
12	2.889-148.0	Elbow packaged antistatic NW35 2K	1	PC	
12	2.889-170.0	Elbow packaged NW35 2K	1	PC	
13	2.889-191.0	Set suction tube chromed NW35 550mm	1	PC	
13	2.889-192.0	Set suction tube stainless steel NW35 55	1	PC	
13	2.889-218.0	Set suction tube DN35 505mm	1	PC	
13	6.902-074.0	Suction tube chromed NW35 - 505mm	2	PC	
13	6.902-154.0	Suction tube stainless steel NW35 - 505m	2	PC	
14	2.862-008.0	Telescopic tube packaged NW35	1	PC	
15	2.860-113.0	Upholstery nozzle TURBO	1	PC	
16	2.860-114.0	Floor tool TURBO DN 35/32	1	PC	
17	2.863-221.0	Suction brush kit WD 2pc.	1	PC	
18	2.889-129.0	Floor tool basalt grey packaged NW35	1	PC	
19	2.889-159.0	Crevice nozzle wet and dry packaged NW35	1	PC	225mm
19	2.889-130.0	Crevice nozzle packaged NW35	1	PC	210mm
20	2.889-179.0	Combination nozzle basalt grey packaged	1	PC	
21	2.889-196.0	Parquet nozzle packaged D360 NW35	1	PC	
22	6.900-425.0	Multi-purpose brush	1	PC	
23	6.902-104.0	Suction nozzle DN 35	1	PC	
24	6.903-035.0	Pipe cleaning nozzle 35/100	1	PC	
24	6.903-036.0	Pipe cleaning nozzle 25/200	1	PC	
25	6.903-862.0	Suction brush DN35	1	PC	
25	6.900-697.0	Suction brush NW 35-CET 210024329	1	PC	
25	2.889-221.0	Suction brush packaged NW 35	1	PC	
26	6.905-998.0	Upholstery nozzle complete NW35	1	PC	
30	6.904-333.0	Paper filtering bag 10 St. Kärcher	1	PC	T 10/1 + T 12/1
30	6.904-370.0	Paper filtering bag Basic 10 Stck.	1	PC	T 10/1 + T 12/1
31	6.904-084.0	Filter bags fleece 10 St.	1	PC	T 7/1
31	6.904-315.0	Filter bag fleece	1	PC	T 10/1 + T 12/1
33	2.889-312.0	Adapter old packaged NW35	1	PC	

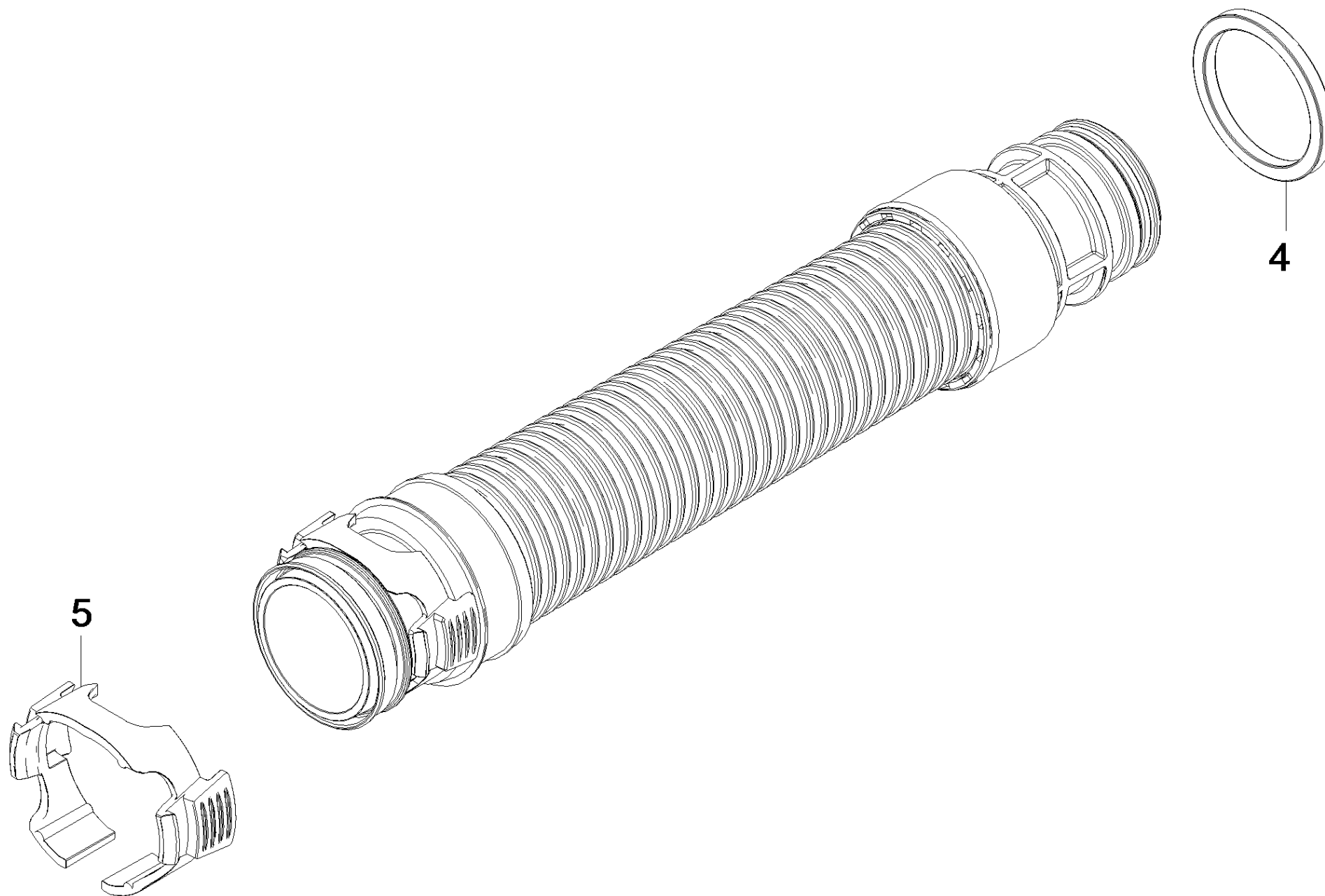
40 Accessories

POS	Article no.	Description	Quantity	Unit	Remark
34	2.889-197.0	Parquet nozzle packaged D300 NW35	1	PC	



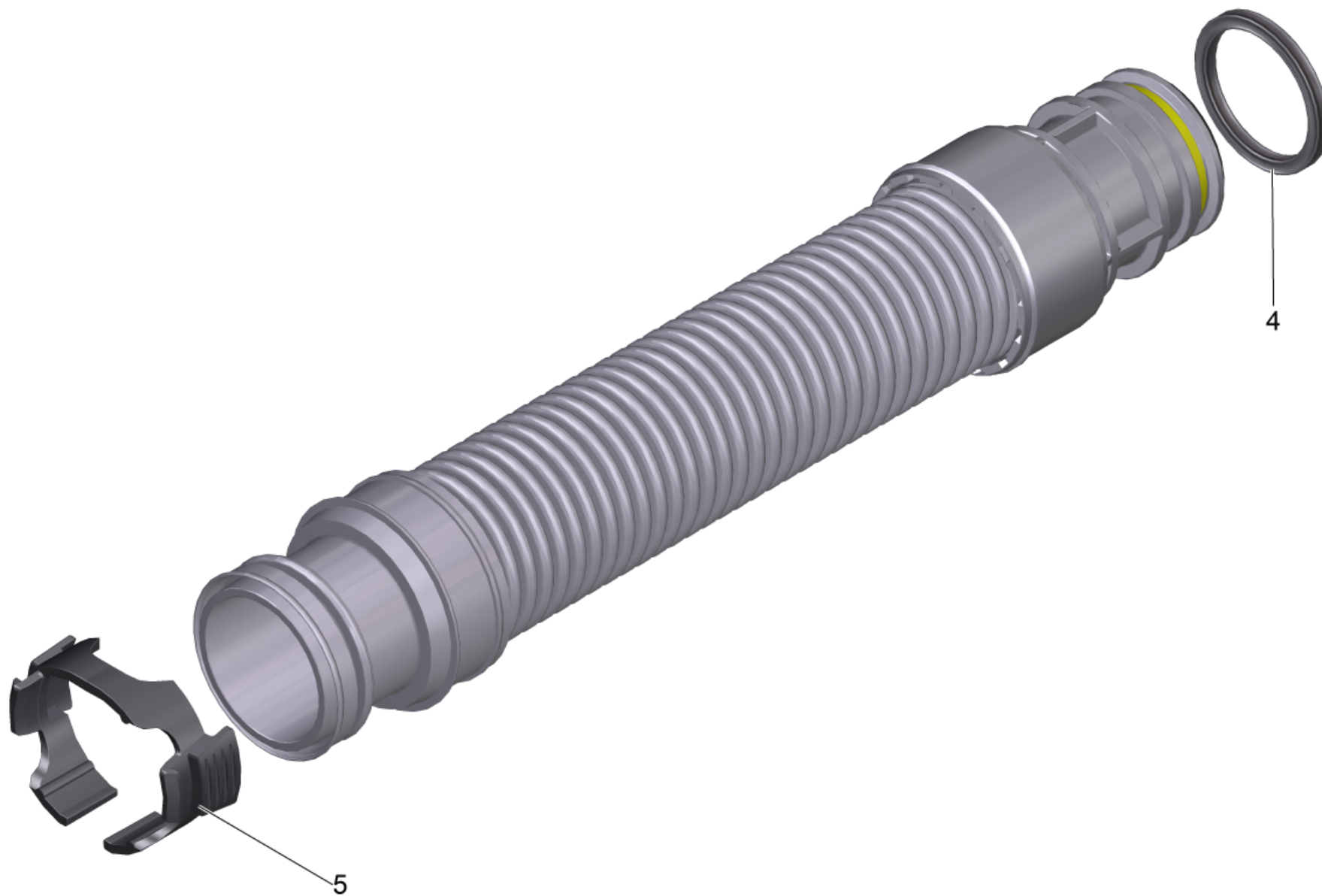
11 Hose packaged NW35 1,5m (2.889-132.0)

POS	Article no.	Description	Quantity	Unit
4	5.363-255.0	Seal X-shaped	1	PC
5	5.031-140.0	Tension ring NW35	1	PC



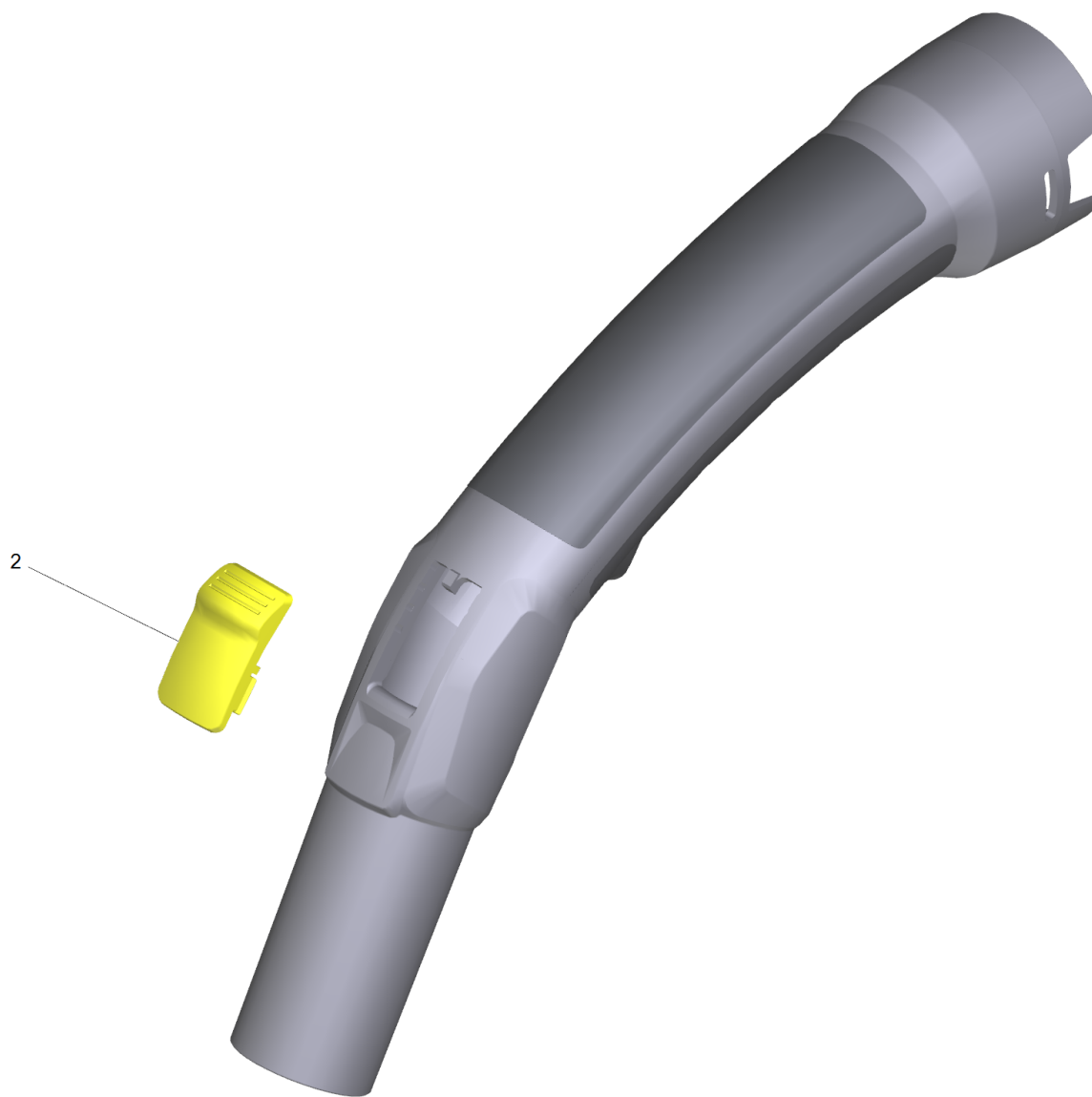
11 Hose packaged NW35 2.5m (2.889-133.0)

POS	Article no.	Description	Quantity	Unit
4	5.363-255.0	Seal X-shaped	1	PC
5	5.031-140.0	Tension ring NW35	1	PC



11 Hose packaged NW35 2.0m (2.889-161.0)

POS	Article no.	Description	Quantity	Unit
4	5.363-255.0	Seal X-shaped	1	PC
5	5.031-140.0	Tension ring NW35	1	PC



12 Elbow packaged antistatic NW35 2K (2.889-148.0)

POS	Article no.	Description	Quantity	Unit
2	5.032-072.0	Slider elbow	1	PC

16 Floor tool TURBO DN 35/32 (2.860-114.0)

POS	Article no.	Description	Quantity	Unit
1	6.903-885.0	Turbo nozzle bottom DN32	1	PC
2	6.902-072.0	Reducing bushing 35-32	1	PC

1 Turbo nozzle bottom DN32 (6.903-885.0)

POS	Article no.	Description	Quantity	Unit
999	6.905-099.0	Spare part set turbo nozzle DN32	1	PC
999	6.905-520.0	Roller complete D13	1	PC
999	6.905-521.0	Roller complete D27	1	PC

20 Combination nozzle basalt grey packaged (2.889-179.0)

POS	Article no.	Description	Quantity	Unit
9000	6.906-698.0	Thread clipper	1	PC

21 Parquet nozzle packaged D360 NW35 (2.889-196.0)

POS	Article no.	Description	Quantity	Unit
9000	6.905-878.0	Brush strips set only for replacement	1	PC

33 Adapter old packaged NW35 (2.889-312.0)

POS	Article no.	Description	Quantity	Unit
2	5.031-703.0	Tension ring C35	1	PC