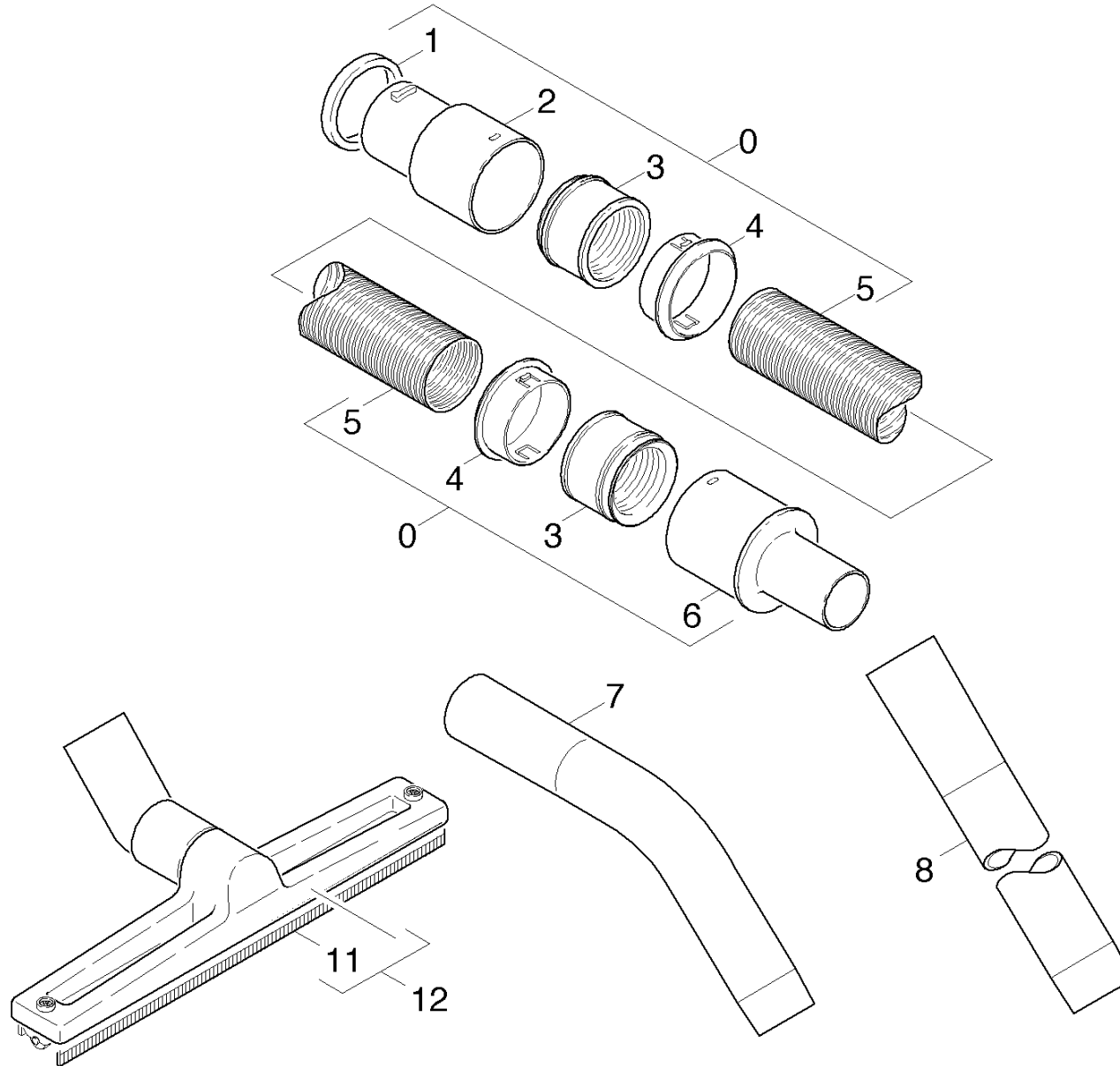


# 30 Standard accessories

Professional \ Vacuum cleaner \ Wet-/dry vacuum cleaner \ FLOORMATIC W65 \*EU \ Spare parts list FLOORMATIC W 65 \ Standard accessories



## 30 Standard accessories

Professional \ Vacuum cleaner \ Wet-/dry vacuum cleaner \ FLOORMATIC W65 \*EU \ Spare parts list FLOORMATIC W 65 \ Standard accessories

The KÄRCHER logo is displayed in a bold, black, sans-serif font. The letter 'A' is stylized with a horizontal bar through its center. Below the text, there is a solid yellow horizontal bar.

POS	Article no.	Description	Quantity	Unit
0	4.440-263.0	Suction hose DN40	1.000	ST
1	5.114-105.0	Ring	1.000	ST
2	5.470-008.0	Coupler	1.000	ST
3	5.363-155.0	Joint ring DN40	2.000	ST
4	5.262-013.0	Clamping ring DN40	2.000	ST
5	6.388-723.0	Suction hose DN38	1.000	ST
6	5.453-010.0	Connecting sleeve 40	1.000	ST
7	6.900-276.0	Elbow DN40 STAHL	1.000	ST
8	6.900-275.0	Suction tube DN40-0,55m	1.000	ST
11	6.903-337.0	Rubber lip set for floor nozzle	1.000	ST
12	6.907-408.0	Floor tool packaged basalt grey DN40	1.000	ST