

## **Spare parts list**

(1.629-450.0) A 2074 PT \*EU

## Table of contents

---

A 2074 PT *EU (1.629-450.0)	3
60 Spare parts list A 2024 PT (5.970-362.0)	4
10 Appliance individual parts	5
20 Vacuum motor	7
30 Accessories	10

A 2074 PT \*EU (1.629-450.0)

---

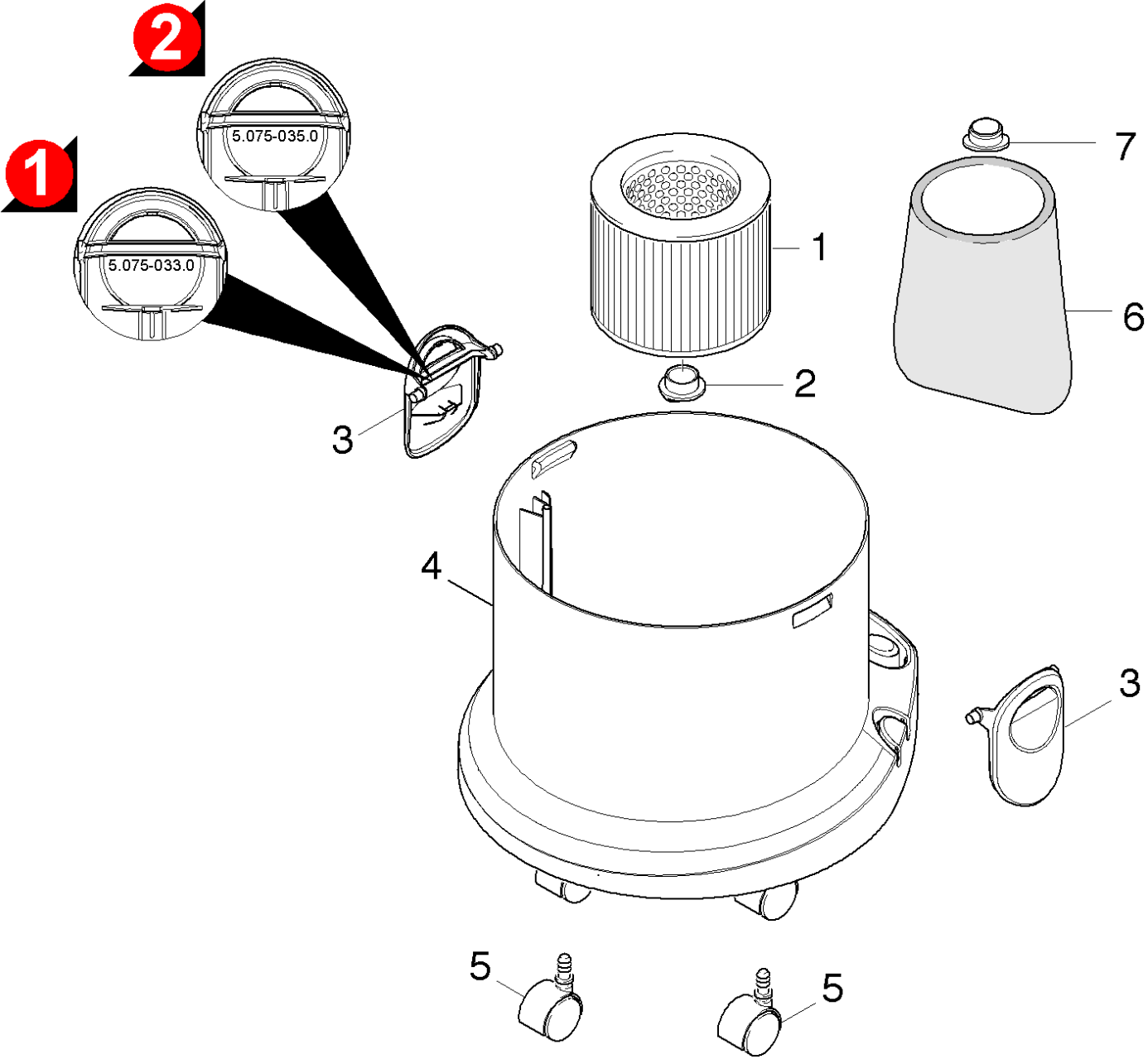
POS	Article no.	Description	Quantity	Unit
60	5.970-362.0	Spare parts list A 2024 PT	1.000	ST
	Item text2: 12931010			

---

60 Spare parts list A 2024 PT (5.970-362.0)

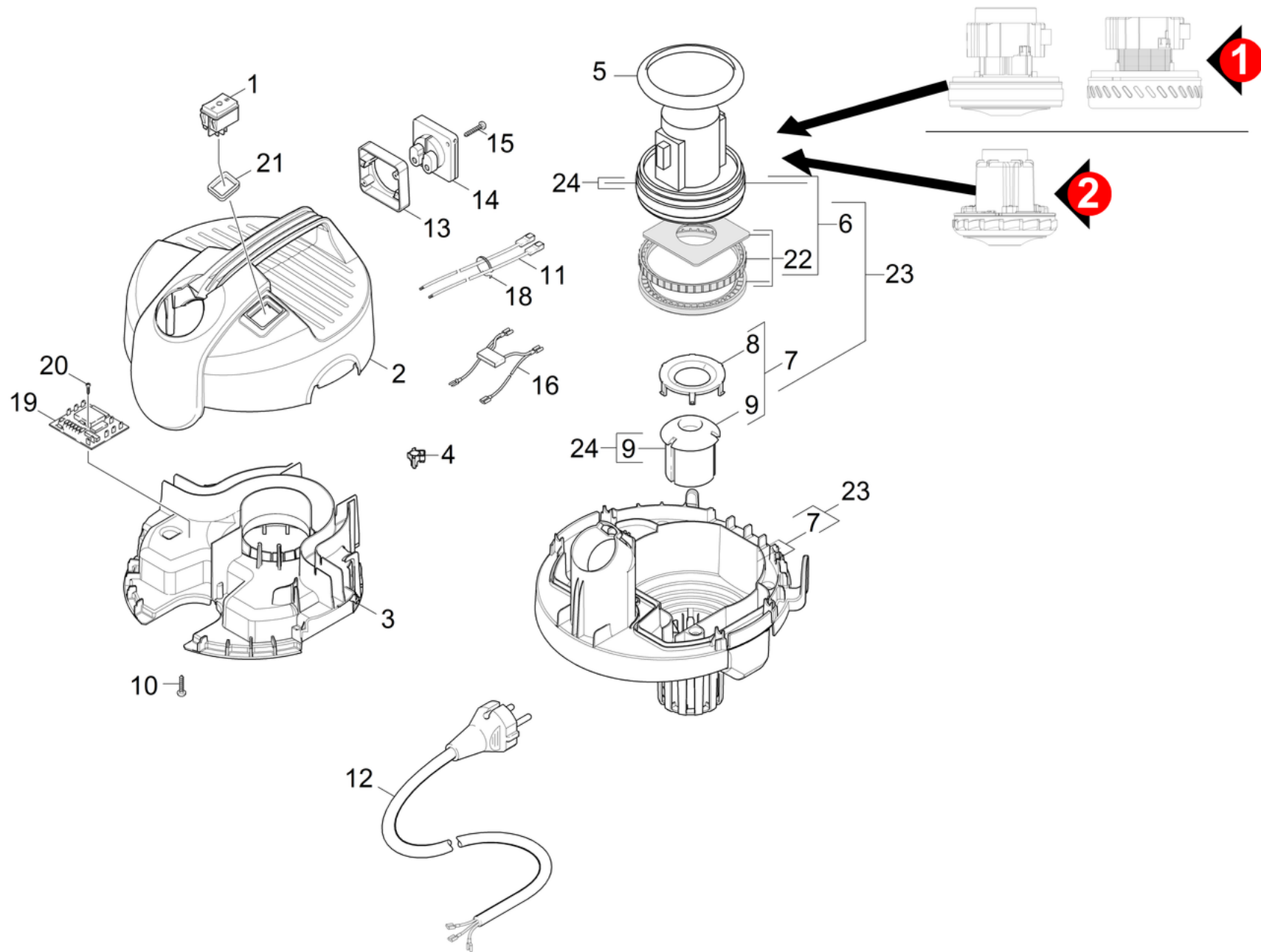
---

<b>POS</b>	<b>Description</b>	<b>Quantity</b>	<b>Unit</b>
30	Accessories	1.000	ST
10	Appliance individual parts	1.000	ST
20	Vacuum motor	1.000	ST



## 10 Appliance individual parts

POS	Article no.	Description	Quantity	Unit	Foot note text
1	6.414-552.0	Cartridge filter	1.000	ST	
5	6.435-353.0	Castor D 42	4.000	ST	
3	5.075-035.0	Closure	2.000	ST	VERSION 2
3	5.075-033.0	Closure	2.000	ST	VERSION 1
2	4.075-012.0	Closure complete	1.000	ST	
7	9.036-691.0	Covering cap	1.000	ST	
6	5.731-595.0	Filter	1.000	ST	
4	5.070-667.0	Tank	1.000	ST	
	<b>Item text1:</b> / 1.629-200.0 / -201.0 / -202.0 / -203.0				
4	4.070-536.0	Tank complete	1.000	ST	
	<b>Item text1:</b> / 1.629-400.0 / -401.0 / -402.0 / -450.0				



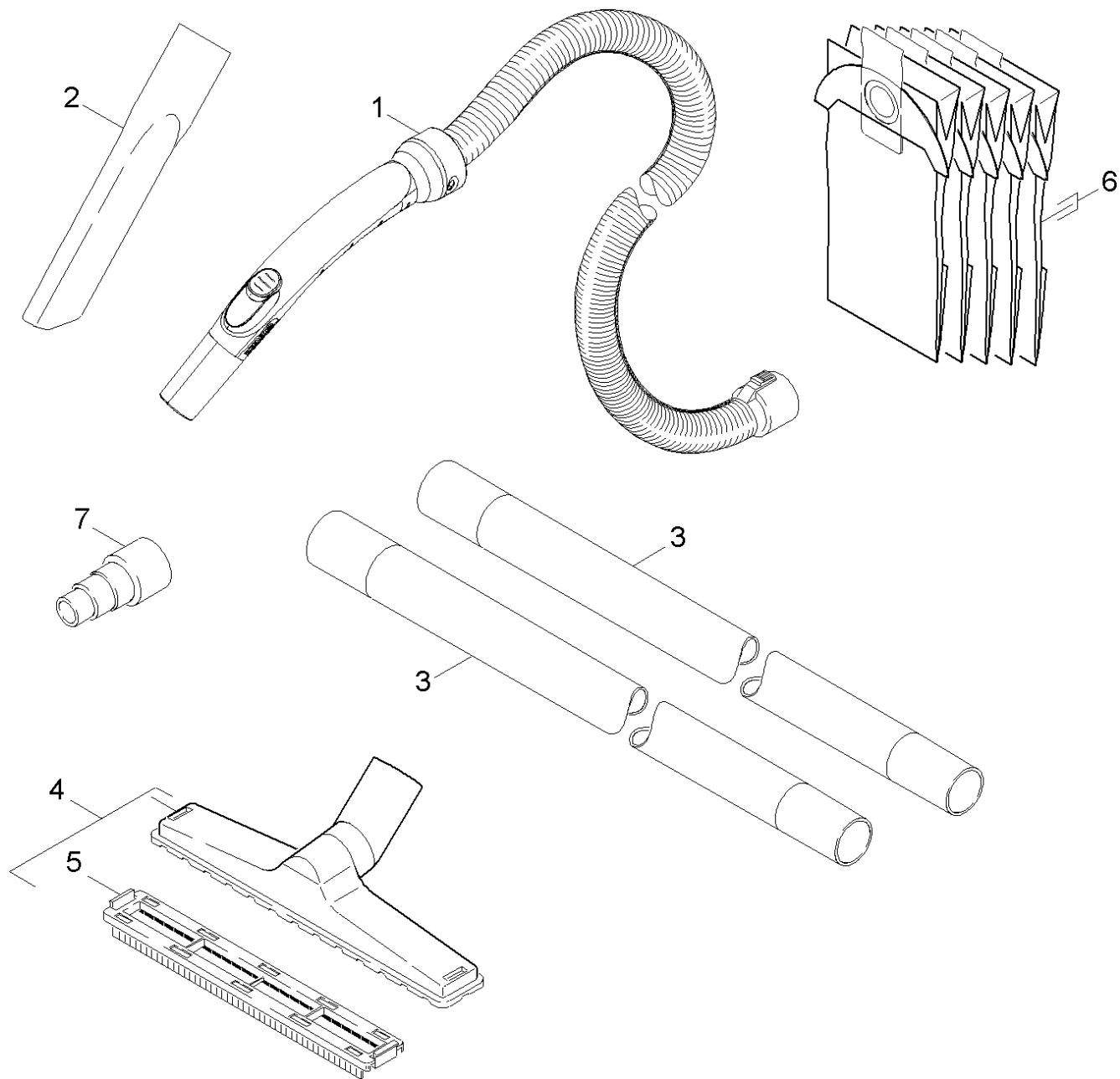
## 20 Vacuum motor

POS	Article no.	Description	Quantity	Unit	Foot note text
3		Air circulation pt	1.000	ST	VERSION 2
3	5.692-077.0	Air circulation PT	1.000	ST	VERSION 1
22	4.490-010.0	Bearing set for Motor (1.629-XXX)	1.000	ST	VERSION 1
11	6.649-316.0	Cable brown 1,5mm²x350mm	1.000	ST	
	<b>Item text1:</b> / 1.629-450.0				
11	9.084-162.0	Cable plug connector A 2X24 PT	2.000	ST	
	<b>Item text1:</b> / 1.629-200.0 / -201.0 / -202.0 / -203.0				
	<b>Item text2:</b> / 1.629-400.0 / -401.0				
18	6.641-463.0	Cable tape	1.000	ST	
16	4.629-004.0	Cable with capacitor	1.000	ST	VERSION 2
12	6.649-182.0	Cable with plug *AU	1.000	ST	
	<b>Item text1:</b> / 1.629-203.0				
12	6.650-108.0	Cable with plug *CH	1.000	ST	
	<b>Item text1:</b> / 1.629-202.0 / -401.0				
12	6.649-179.0	Cable with plug *EU	1.000	ST	
	<b>Item text1:</b> / 1.629-200.0 / -400.0 / -450.0				
12	6.649-181.0	Cable with plug *GB	1.000	ST	
	<b>Item text1:</b> / 1.629-201.0 / -402.0				
2	5.069-195.0	Cover A 2064 PT	1.000	ST	
	<b>Item text1:</b> / 1.629-200.0 / -201.0 / -202.0 / -203.0				
	<b>Item text2:</b> / 1.629-400.0 / -401.0 / -402.0				
2	5.069-189.0	Cover A 2074 PT	1.000	ST	
	<b>Item text1:</b> / 1.629-450.0				
8	9.036-573.0	Covering cap	1.000	ST	
19	6.682-838.0	Electronics	1.000	ST	
	<b>Item text1:</b> / 1.629-450.0				
9	9.037-076.0	Float A2204	1.000	ST	
13	9.037-001.0	Frame PT	1.000	ST	
7	4.053-241.0	Motor bracket complete	1.000	ST	VERSION 1
	<b>Item text1:</b> / 1.629-400.0 / -401.0 / -402.0 / -450.0				
7	4.053-231.0	Motor bracket complete	1.000	ST	VERSION 1
	<b>Item text1:</b> / 1.629-200.0 / -201.0 / -202.0 / -203.0				
7	4.053-257.0	Motor bracket complete for replacement	1.000	ST	VERSION 2



## 20 Vacuum motor

POS	Article no.	Description	Quantity	Unit	Foot note text
	<b>Item text1:</b> / 1.629-200.0				
7	4.053-258.0	Motor bracket complete for replacement	1.000	ST	VERSION 2
	<b>Item text1:</b> / 1.629-400.0 / -401.0 / -402.0 / -450.0				
23	4.490-014.0	Motor complete for replacement 1200W Ame	1.000	ST	VERSION 1
	<b>Item text1:</b> / 1.629-200.0				
23	4.490-015.0	Motor complete for replacement 1200W Ame	1.000	ST	VERSION 1
	<b>Item text1:</b> /1.629-400.0 / -402.0 / -450.0				
14	6.646-590.0	Plug socket	1.000	ST	
	<b>Item text1:</b> / 1.629-202.0 / -401.0				
14	6.646-591.0	Plug socket *AU	1.000	ST	
	<b>Item text1:</b> / 1.629-203.0				
14	6.646-561.0	Plug socket *EU	1.000	ST	
	<b>Item text1:</b> / 1.629-200.0 / -400.0 / -450.0				
14	6.646-563.0	Plug socket *GB	1.000	ST	
	<b>Item text1:</b> / 1.629-201.0 / -402.0				
4	5.034-736.0	Retaining bracket cable	1.000	ST	
20	7.303-092.0	Screw 3x12 -10.9-R2R (K-In6Rd)	1.000	ST	
	<b>Item text1:</b> / 1.629-450.0				
15	9.086-184.0	Screw 3x20	2.000	ST	
10	7.303-096.0	Screw 4x22 -ST-10.9-R2R (IN6RD)	5.000	ST	
5	9.079-024.0	Seal motor above	1.000	ST	VERSION 2
5	9.079-024.0	Seal motor above	1.000	ST	VERSION 1
21	9.048-077.0	Seal switch TE	1.000	ST	
	<b>Item text1:</b> / 1.629-450.0				
16	2.884-135.0	Spare part set cable	1.000	ST	VERSION 1
1	6.630-090.0	Switch 2-level	1.000	ST	
24	4.490-012.0	Vacuum motor complete for replacement 12	1.000	ST	VERSION 2
	<b>Item text1:</b> / 1.629-200.0 / -400.0 / -402.0 / -450.0				
6	4.490-008.0	Vacuum motor complete only for replaceme	1.000	ST	VERSION 1
	<b>Item text1:</b> /1.629-201.0 / -202.0 / -203.0 / -401.0				



## 30 Accessories

---

<b>POS</b>	<b>Article no.</b>	<b>Description</b>	<b>Quantity</b>	<b>Unit</b>
7	9.048-061.0	Connecting sleeve	1.000	ST
2	6.900-385.0	Crevice nozzle DN35	1.000	ST
6	6.904-322.0	Filter bags 5St.	1.000	ST
4	2.862-141.0	Floor tool complete	1.000	ST
5	9.036-892.0	Mixing insert	1.000	ST
1	9.012-109.0	Suction hose complete DN35x2	1.000	ST
3	2.863-148.0	Suction tube DN35	2.000	ST