

Spare parts list

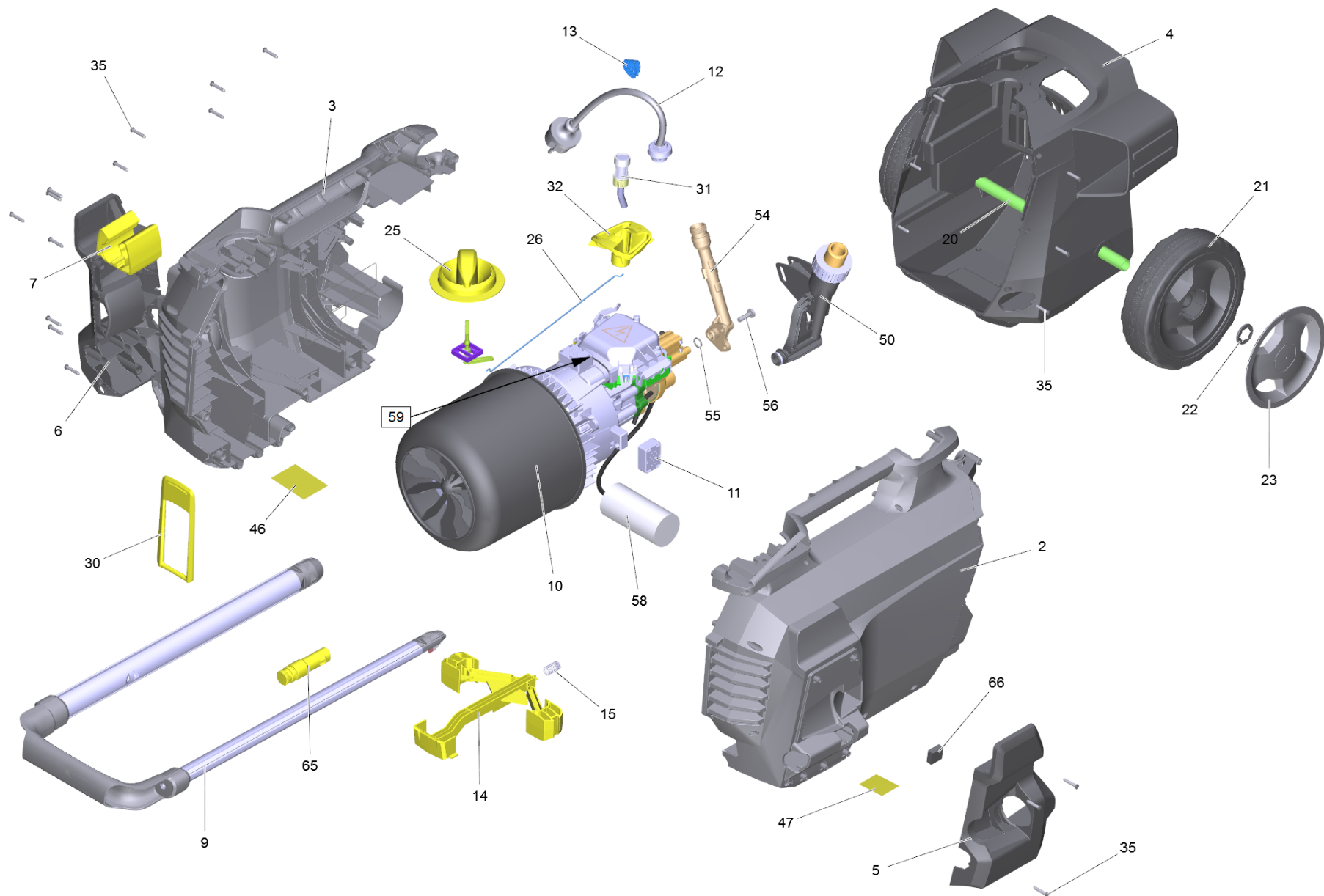
(1.520-930.0) HD 5/15 C *EU

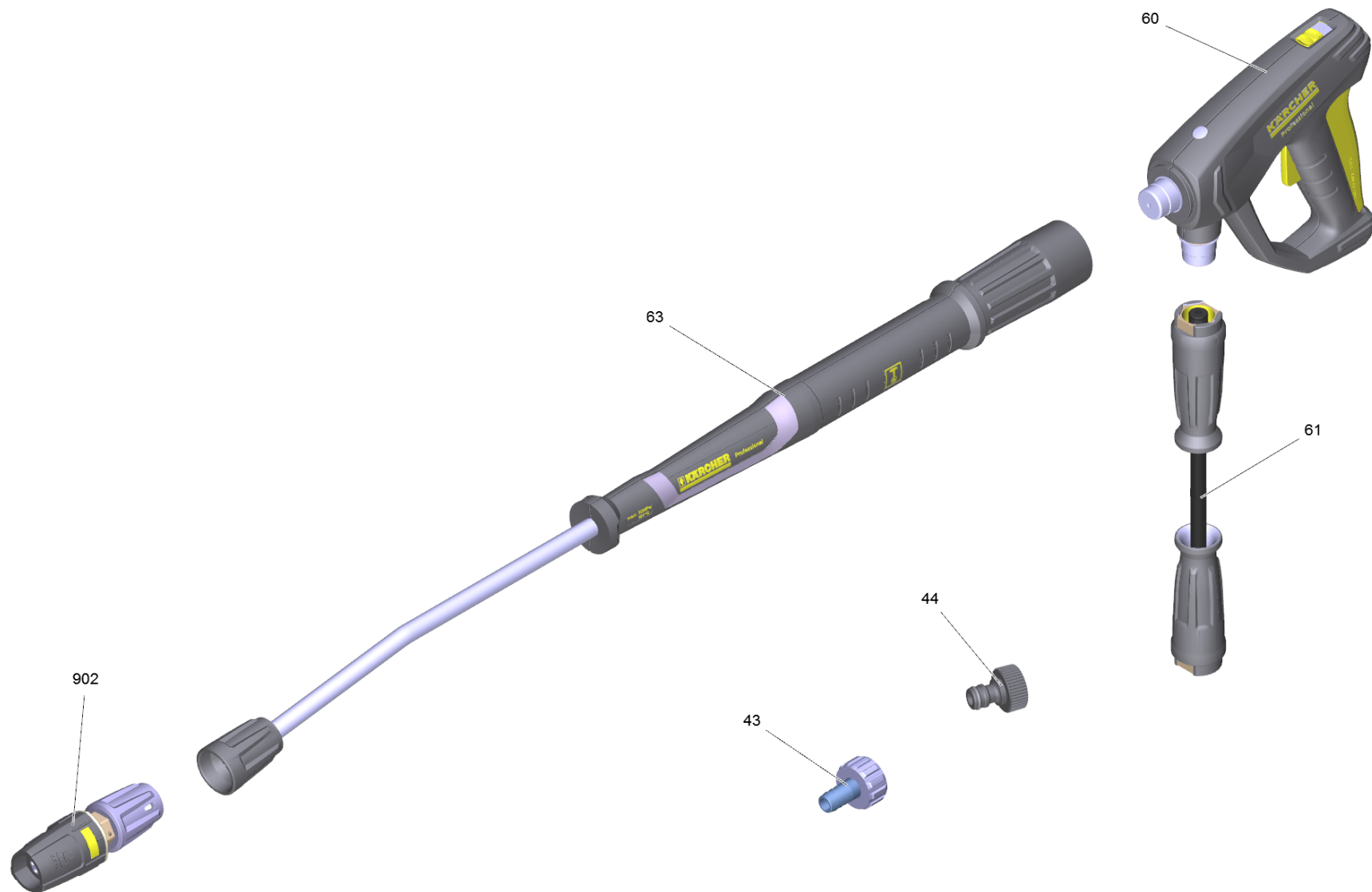
Table of contents

HD 5/15 C *EU (1.520-930.0)	3
Spare parts list high-pressure 5/15 C *E (5.974-221.0)	4
9 Handhold complete	8
10 Pump set HD 5/15	10
50 Transmission HD 5/15	12
999 Motor for replacement HD 5/17 (4.624-227.3)	14
51 Pump head complete HD 5/12	16
101 Piston guidance kpl.	18
102 Cylinder head complete brass (4.550-942.0)	20
103 Control piston complete replacement (2.885-408.0)	22
104 Valve pin complete (4.584-022.0)	24
105 Plug complete (4.580-702.0)	26
114 Nozzle insert (4.769-035.0)	28
902 Pump set HDC (2.885-377.0)	30
11 Valve pin complete (4.584-022.0)	32
53 Spare parts set electric box complete HD (2.885-375.0)	34
999 Tool (2.901-048.0)	36
12 Cable with plug *EU (6.650-201.3)	38
31 Filter with hose RM 1,05	40
43 Screw connector part (4.401-056.0)	42
50 Water intake complete	44
60 EASY!Force Advanced (4.118-005.0)	46
9000 Spare part set lever (2.885-483.0)	48
61 Hose assembly TR DN6 25MPa 10m (6.110-034.0)	50
63 Jet pipe TR 840 mm (4.112-006.0)	52
902 Triple jet nozzle TR 032 (4.117-027.0)	54
1 Triple jet nozzle TR 032	55

HD 5/15 C *EU (1.520-930.0)

POS	Article no.	Description	Quantity	Unit
0	5.974-221.0	Spare parts list high-pressure 5/15 C *E	1	PC



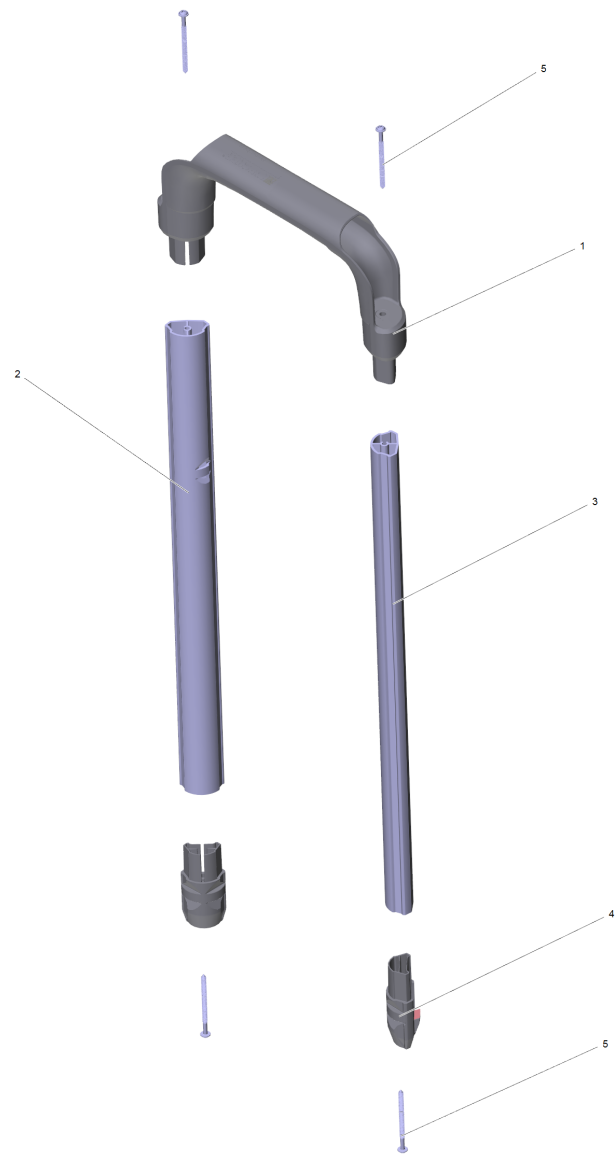


Spare parts list high-pressure 5/15 C *E (5.974-221.0)

POS	Article no.	Description	Quantity	Unit
2	5.646-048.3	Housing left for replacement	1	PC
3	5.646-049.3	Housing right for replacement	1	PC
4	5.645-654.0	Housing bottom	1	PC
5	5.646-025.0	Holder left	1	PC
6	5.646-024.0	Holder right	1	PC
7	5.645-938.0	Holder jet pipe	1	PC
9		Handhold complete	1	PC
10		Pump set HD 5/15	1	PC
11	5.767-029.0	Rubber buffer	4	PC
12	6.650-201.3	Cable with plug *EU	1	PC
13	6.647-681.0	Cable clip	1	PC
14	5.645-675.3	Locking part	1	PC
15	5.332-001.0	Helical spring	1	PC
20	5.105-399.0	Axle	1	PC
21	5.515-395.0	Wheel D180	2	PC
22	6.343-168.0	Lock washer	2	PC
23	5.515-386.0	Wheel cap large RAL 7012	2	PC
25	4.324-057.0	Handle complete	1	PC
26	5.107-313.0	Switch rod	1	PC
30	5.379-043.0	Strap	1	PC
31		Filter with hose RM 1,05	1	PC
32	5.645-841.0	Cover cleaning agents	1	PC
35	6.303-566.0	Screw 4,2x22 R2R	24	PC
43	4.401-056.0	Screw connector part	1	PC
44	6.465-031.0	Connection 3/4	1	PC
46	5.384-671.0	Label 88 dB	1	PC
47	5.387-620.0	Warning sticker-Prevent from freezing	1	PC
50		Water intake complete	1	PC
54	5.789-071.3	High-pressure outlet packaged for replac	1	PC
55	6.362-151.0	O-Ring d. 10 x 2 NBR 70	1	PC
56	7.306-092.0	Screw M6x20-ST- 8.8-R3R (IN6RD)	2	PC
58	6.661-288.0	Capacitor 40 µF mit Kabel (K6/7)	1	PC
59	7.303-031.0	Screw M4x10 -St-P2R (In6Rd)	1	PC

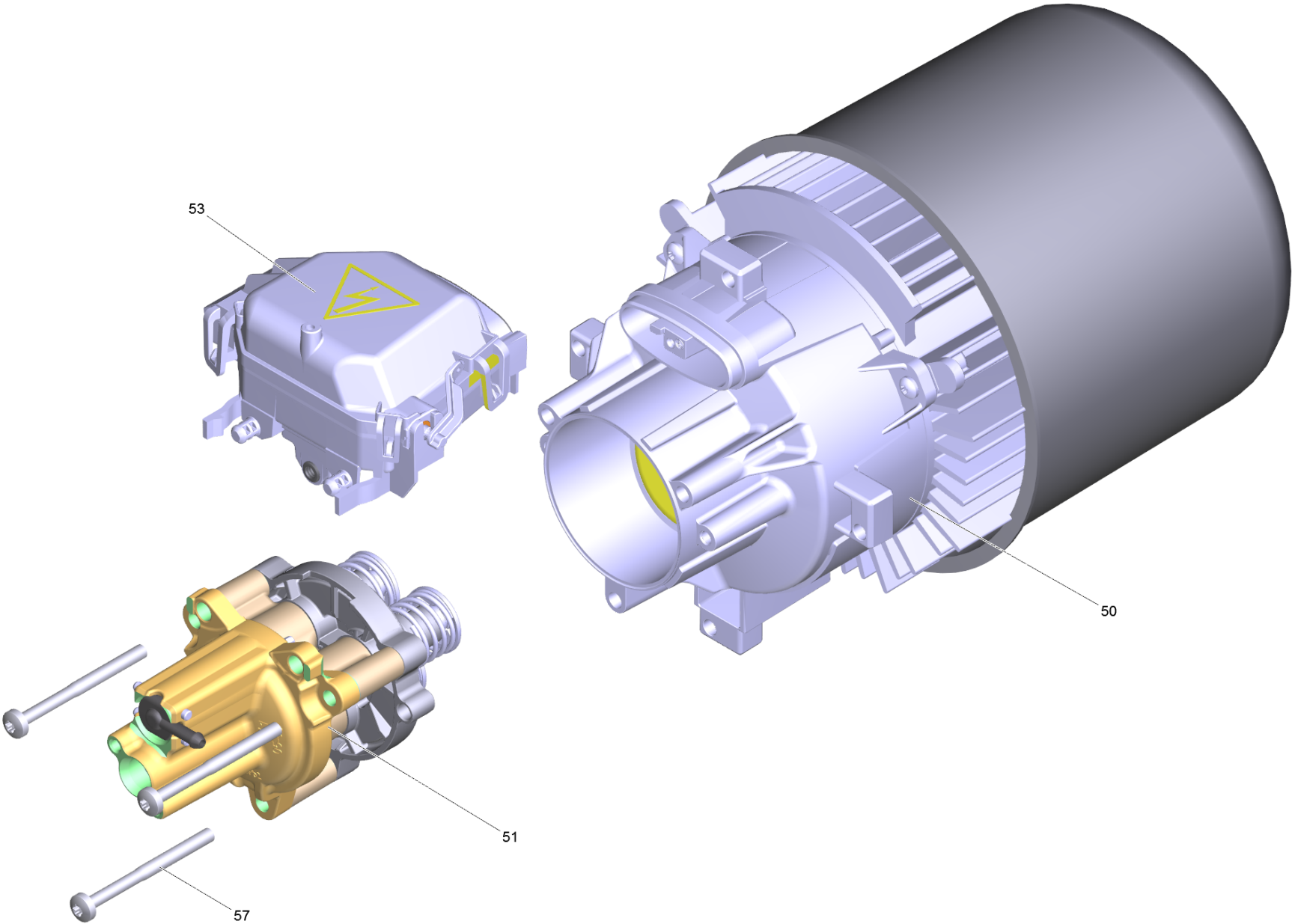
Spare parts list high-pressure 5/15 C *E (5.974-221.0)

POS	Article no.	Description	Quantity	Unit
60	4.118-005.0	EASY!Force Advanced	1	PC
61	6.110-034.0	Hose assembly TR DN6 25MPa 10m	1	PC
63	4.112-006.0	Jet pipe TR 840 mm	1	PC
65	5.646-026.0	Retainer accessories	1	PC
66	6.273-135.0	Sealing strip	1	PC
902	4.117-027.0	Triple jet nozzle TR 032	1	PC



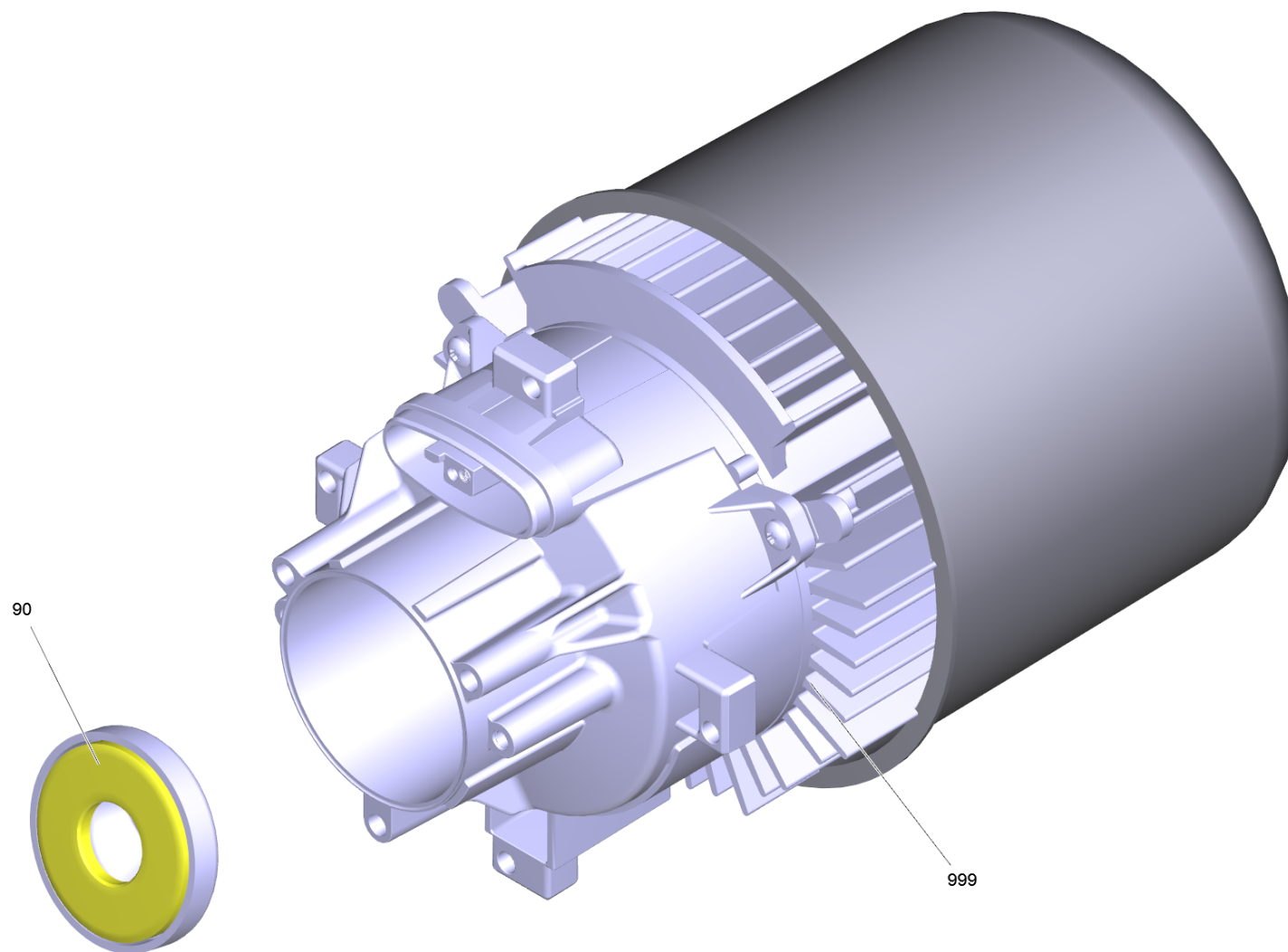
9 Handhold complete

POS	Article no.	Description	Quantity	Unit
1	5.324-161.0	Hand grip	1	PC
2	5.645-674.0	Tube left Trolley	1	PC
3	5.645-853.0	Tube right Trolley	1	PC
4	5.645-676.0	End piece locking part	2	PC
5	6.303-562.0	Saucer-head screw D4x55	4	PC



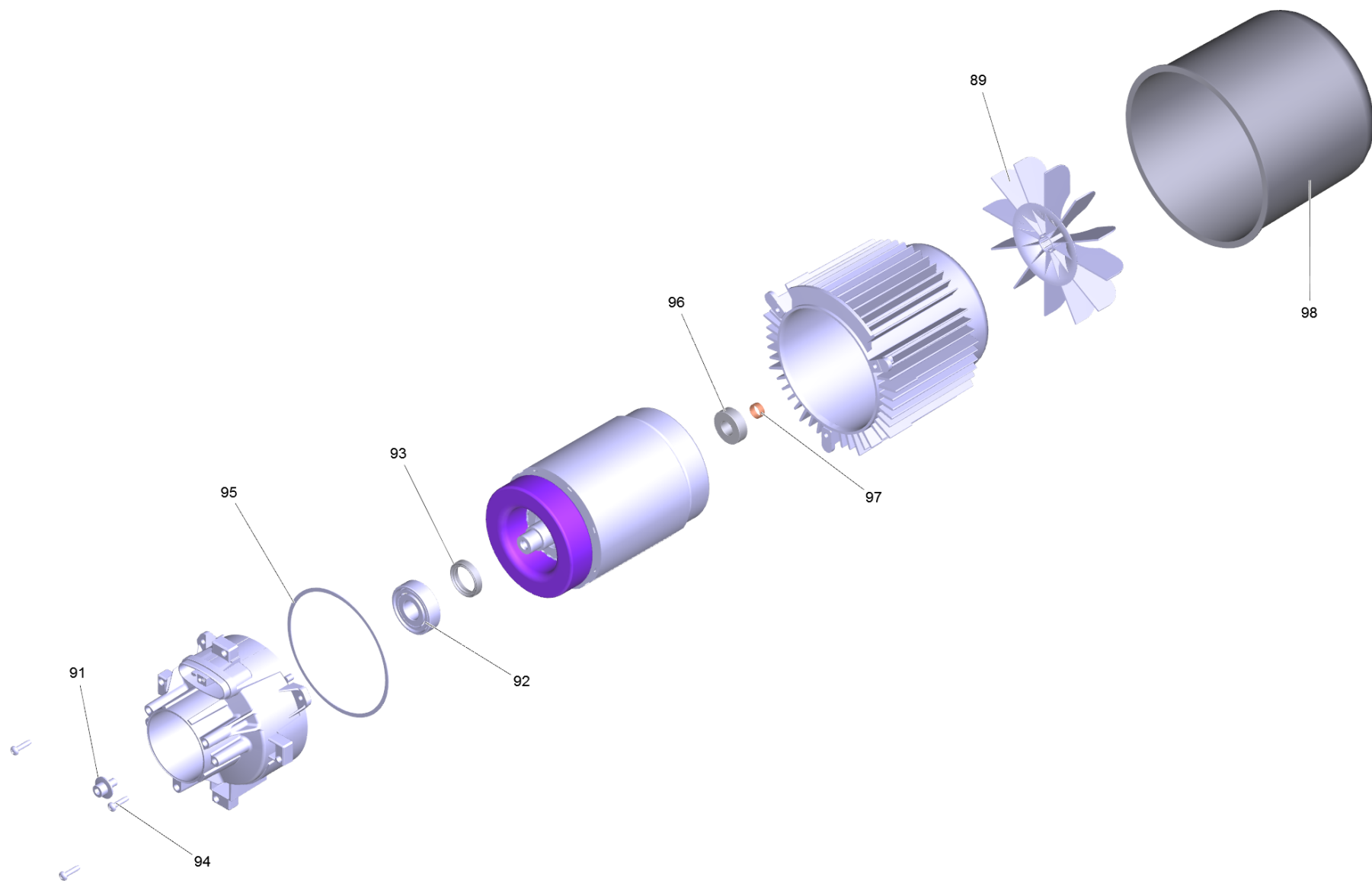
10 Pump set HD 5/15

POS	Article no.	Description	Quantity	Unit
50		Transmission HD 5/15	1	PC
51		Pump head complete HD 5/12	1	PC
53	2.885-375.0	Spare parts set electric box complete HD	1	PC
57	7.306-268.0	Screw M6x70 -8.8-R3R (In6Rd)	3	PC
125	6.288-050.0	Engine oil 1L	1	PC
999	2.901-048.0	Tool	1	PC



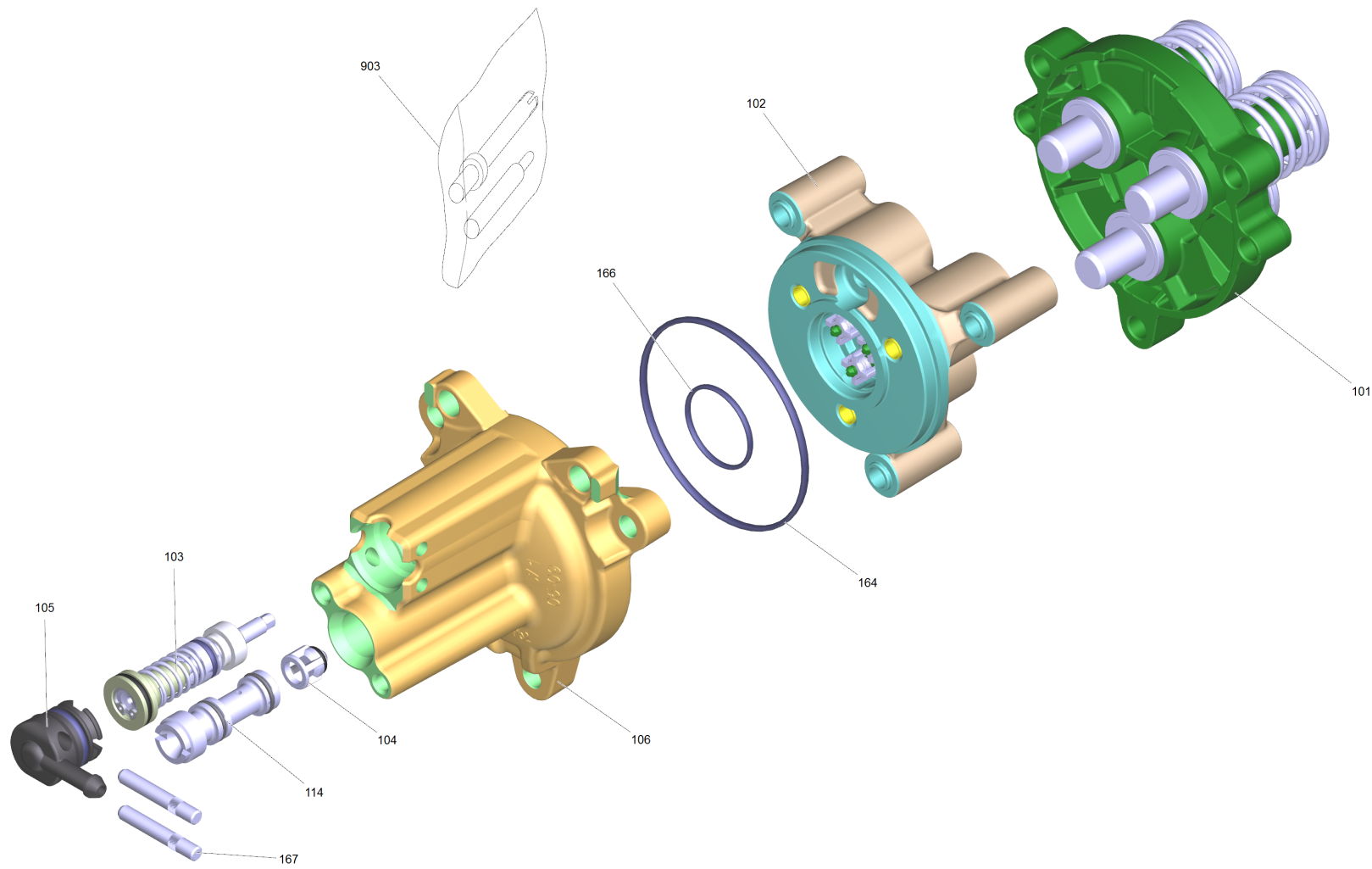
50 Transmission HD 5/15

POS	Article no.	Description	Quantity	Unit
90	4.120-256.3	Wobble plate 12°45' (D67)	1	PC
999	4.624-227.3	Motor for replacement HD 5/17	1	PC



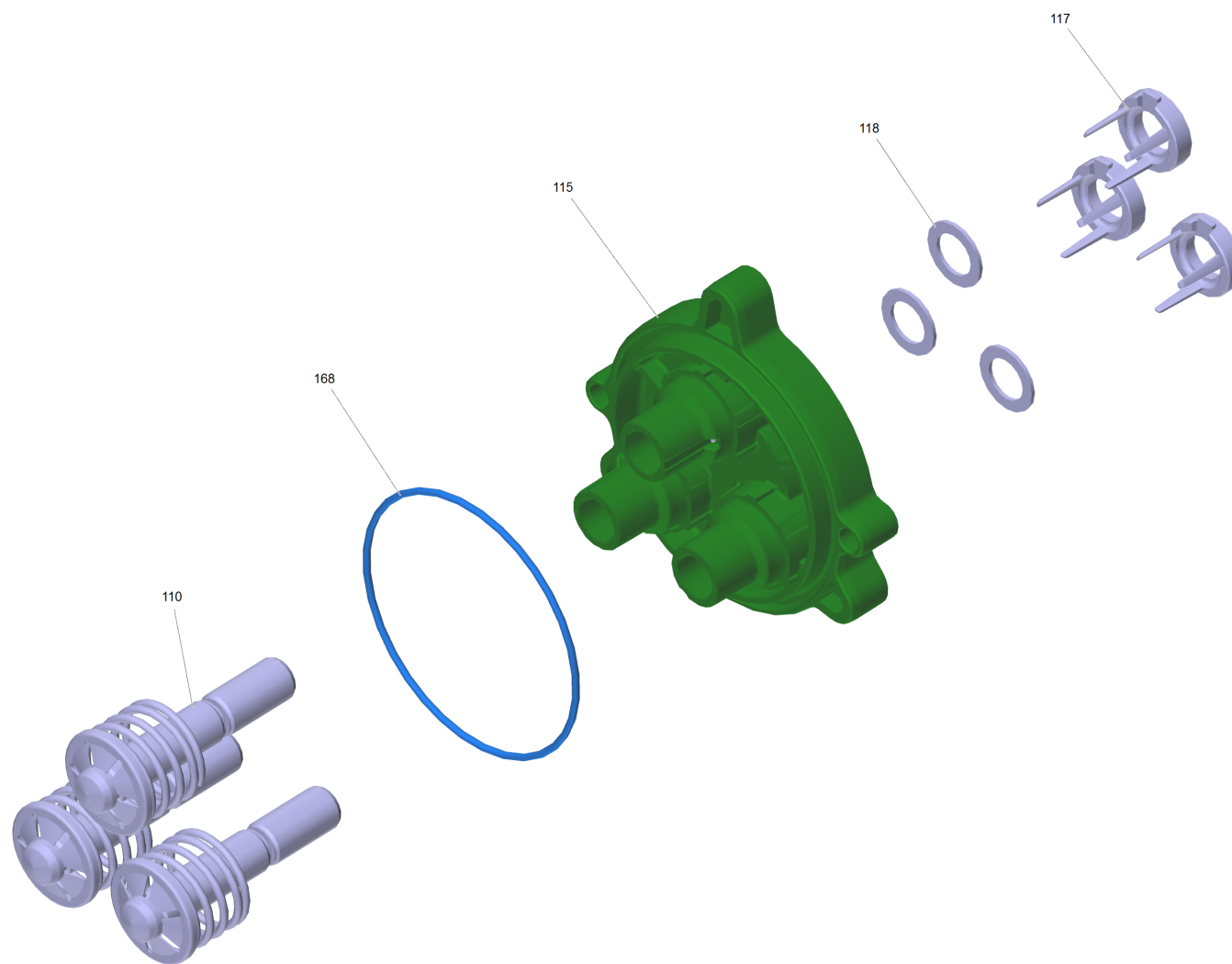
999 Motor for replacement HD 5/17 (4.624-227.3)

POS	Article no.	Description	Quantity	Unit
89	5.600-105.0	Blower wheel	1	PC
91	9.086-169.0	Wobble plate screw M8x16	1	PC
92	6.401-427.3	Angular contact ball bearing	1	PC
93	7.367-024.0	Radial shaft seal ring A26x37x7 -FKM DIN	1	PC
94	6.303-320.0	Screw M 5x 20-St-R2R	3	PC
95	5.363-743.0	Joint ring	1	PC
96	7.401-128.0	Ball bearing 6202-2RS -Wälzl.St DIN 625	1	PC
97	6.343-218.0	Tolerance ring 15x6	1	PC
98	5.692-102.0	Air circulation	1	PC



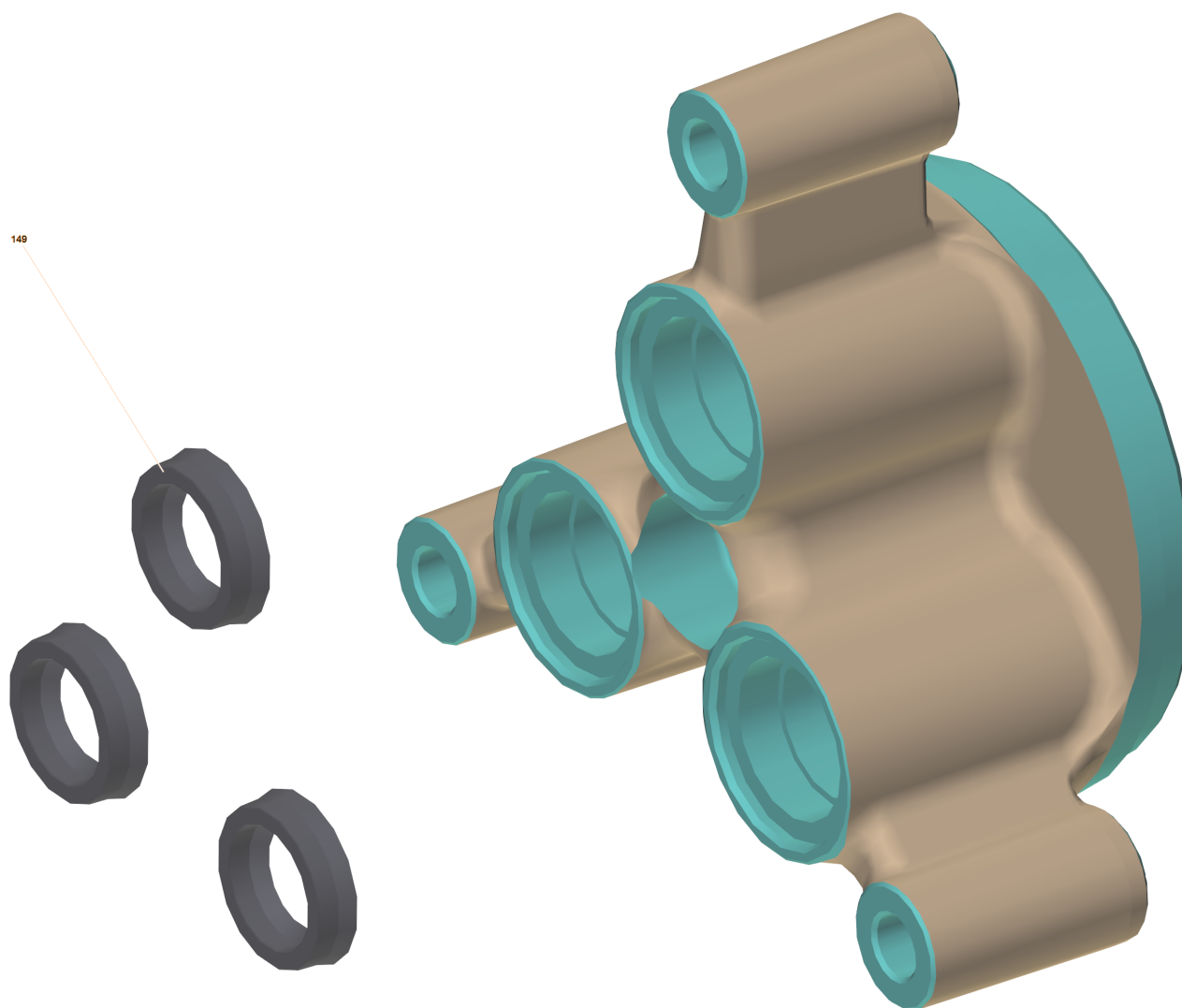
51 Pump head complete HD 5/12

POS	Article no.	Description	Quantity	Unit
101		Piston guidance kpl.	1	PC
102	4.550-942.0	Cylinder head complete brass	1	PC
103	2.885-408.0	Control piston complete replacement	1	PC
104	4.584-022.0	Valve pin complete	1	PC
105	4.580-702.0	Plug complete	1	PC
106	5.062-390.0	Housing HD-C	1	PC
114	4.769-035.0	Nozzle insert	1	PC
164	6.363-616.0	O-Ring seal 60,0x2,0 -NBR70	1	PC
166	6.362-562.0	O-Ring seal 21,95X 1,78-NBR 90	1	PC
167	5.314-150.0	Pin	2	PC
901	2.060-000.3	Piston guidance for replacement	1	PC
902	2.885-377.0	Pump set HDC	1	PC
903	2.901-049.0	Set from valve retainer and drive-in man	1	PC



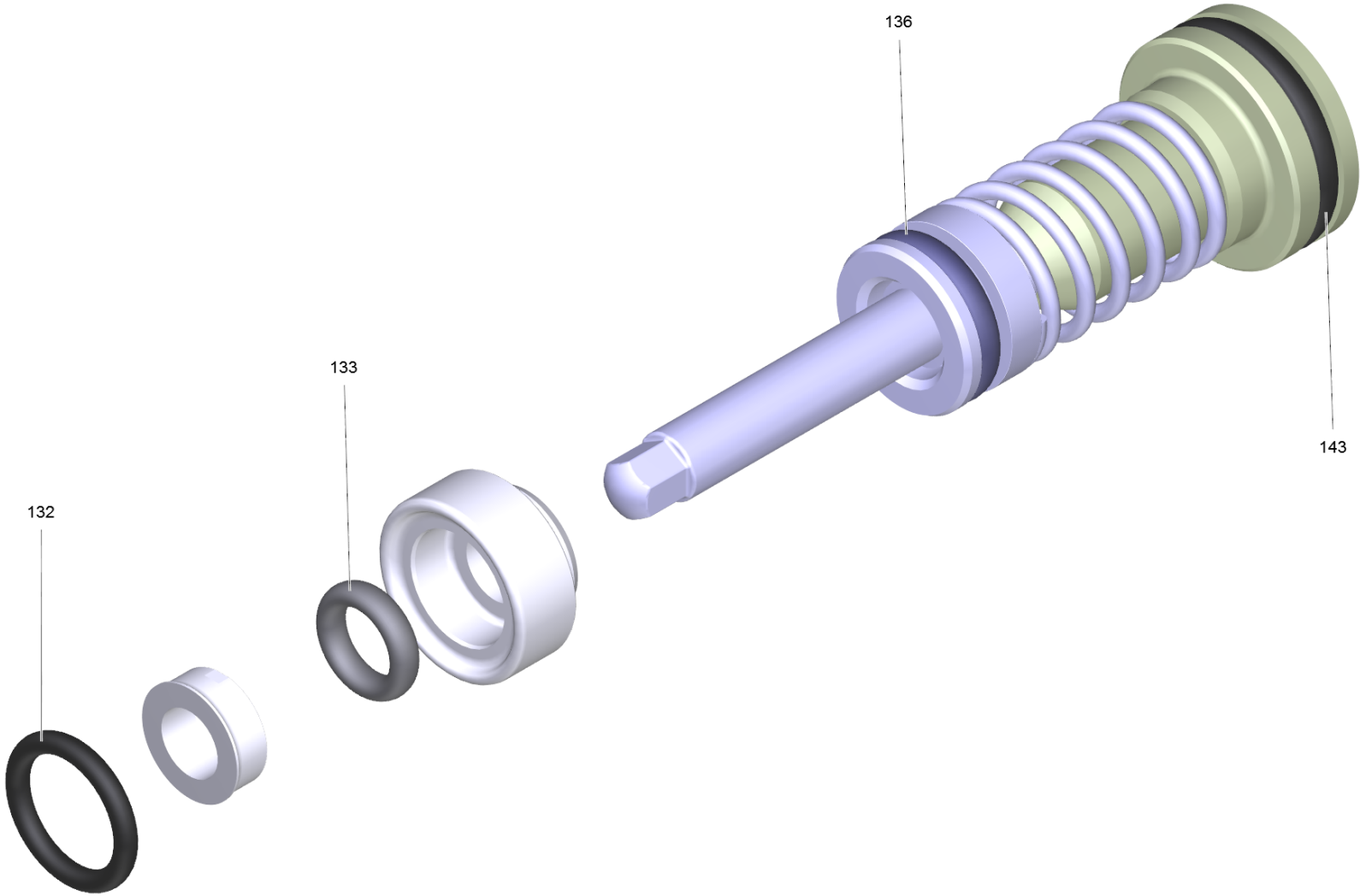
101 Piston guidance kpl.

POS	Article no.	Description	Quantity	Unit
110	4.553-319.0	Piston complete	3	PC
115	2.060-000.3	Piston guidance for replacement	1	PC
117	5.116-381.0	Supporting disk	3	PC
118	5.116-380.0	Washer piston guidance	3	PC
168	6.363-449.0	O-Ring seal 72x2 -NBR70	1	PC



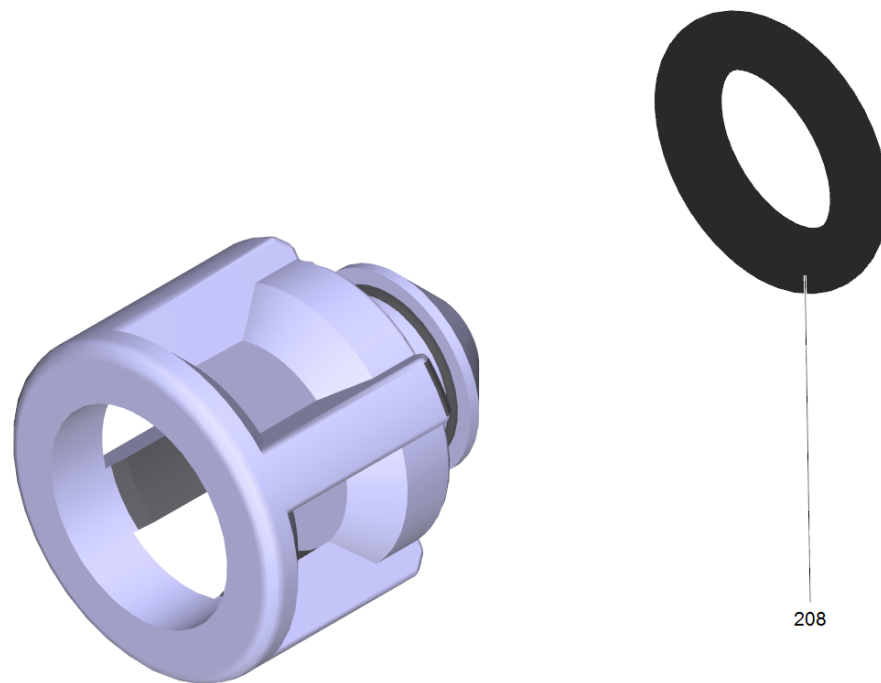
102 Cylinder head complete brass (4.550-942.0)

POS	Article no.	Description	Quantity	Unit
149	4.100-836.0	Spare parts set seals	3	PC



103 Control piston complete replacement (2.885-408.0)

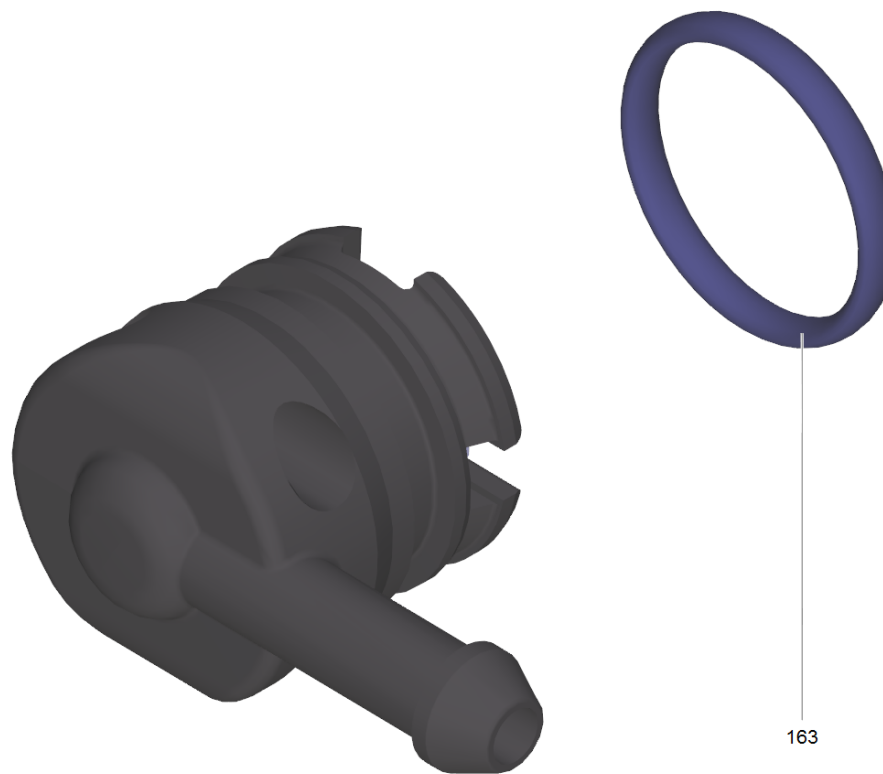
POS	Article no.	Description	Quantity	Unit
132	6.362-101.0	O-Ring seal 8 X 2	1	PC
133	6.363-606.0	O-Ring seal 4,7 x 1,9 -NBR70	1	PC
136	6.363-614.0	O-Ring seal 9 x 2 -NBR90	1	PC
143	6.362-381.0	O-Ring seal 13x2 - NBR 70	1	PC



208

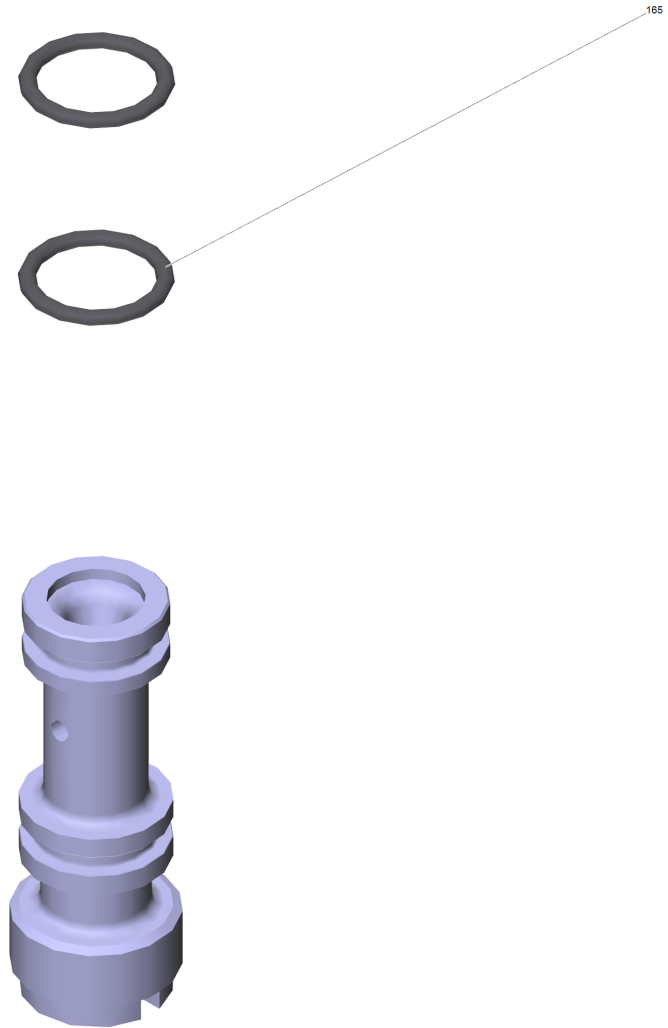
104 Valve pin complete (4.584-022.0)

POS	Article no.	Description	Quantity	Unit
208	6.363-613.0	O-Ring seal 4 x 2 -NBR90	1	PC



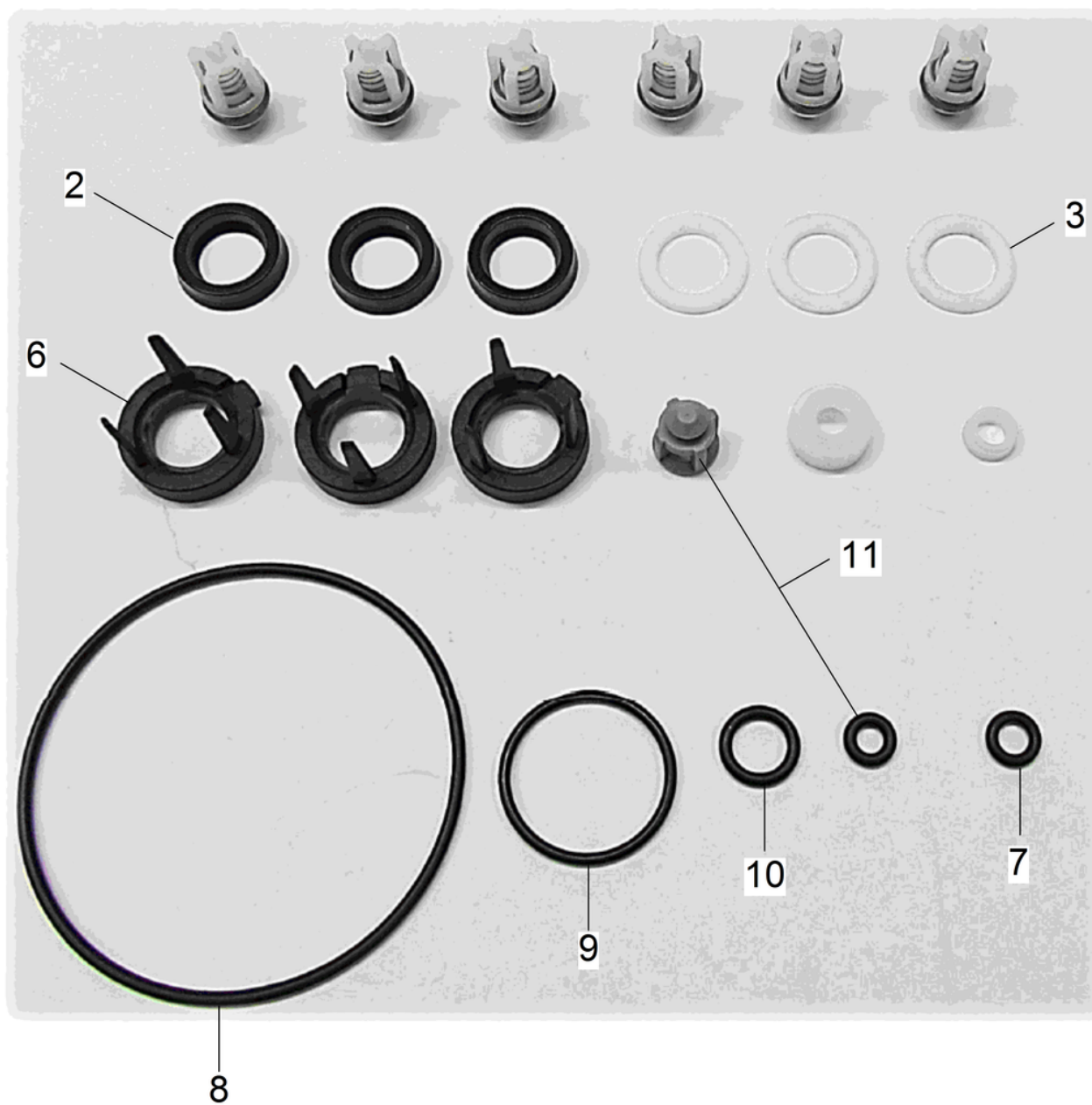
105 Plug complete (4.580-702.0)

POS	Article no.	Description	Quantity	Unit
163	6.362-030.0	O-Ring seal 15x2 90 Shore IRHD	1	PC



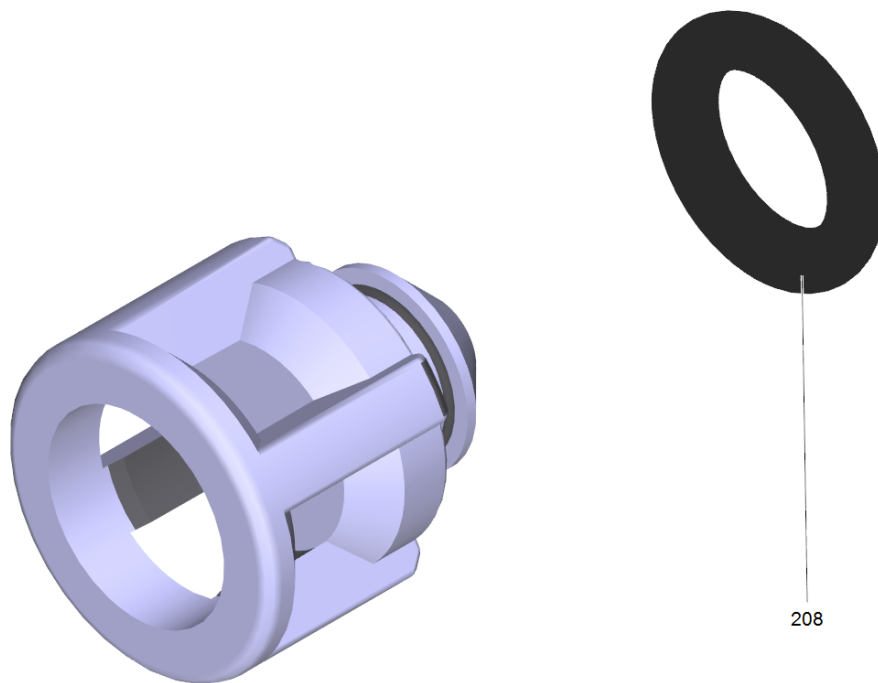
114 Nozzle insert (4.769-035.0)

POS	Article no.	Description	Quantity	Unit
165	6.362-384.0	O-Ring seal 9x1,5 - NBR 70	2	PC



902 Pump set HDC (2.885-377.0)

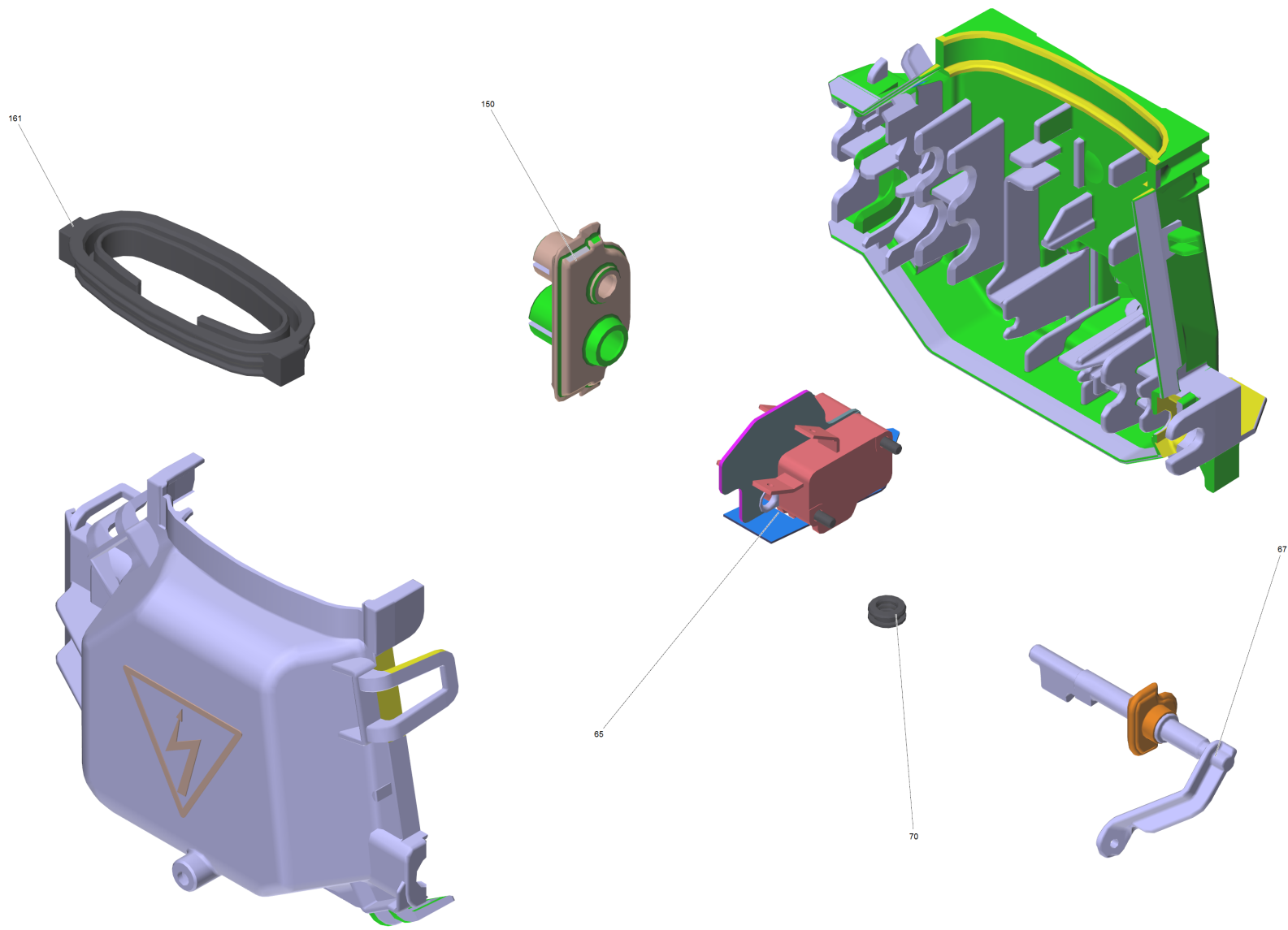
POS	Article no.	Description	Quantity	Unit
2	6.363-435.0	Grooved ring 12x17x4,25/2,5	3	PC
3	5.116-380.0	Washer piston guidance	3	PC
6	5.116-381.0	Supporting disk	3	PC
7	6.363-606.0	O-Ring seal 4,7 x 1,9 -NBR70	1	PC
8	6.363-616.0	O-Ring seal 60,0x2,0 -NBR70	1	PC
9	6.362-562.0	O-Ring seal 21,95X 1,78-NBR 90	1	PC
10	6.362-101.0	O-Ring seal 8 X 2	1	PC
11	4.584-022.0	Valve pin complete	1	PC



208

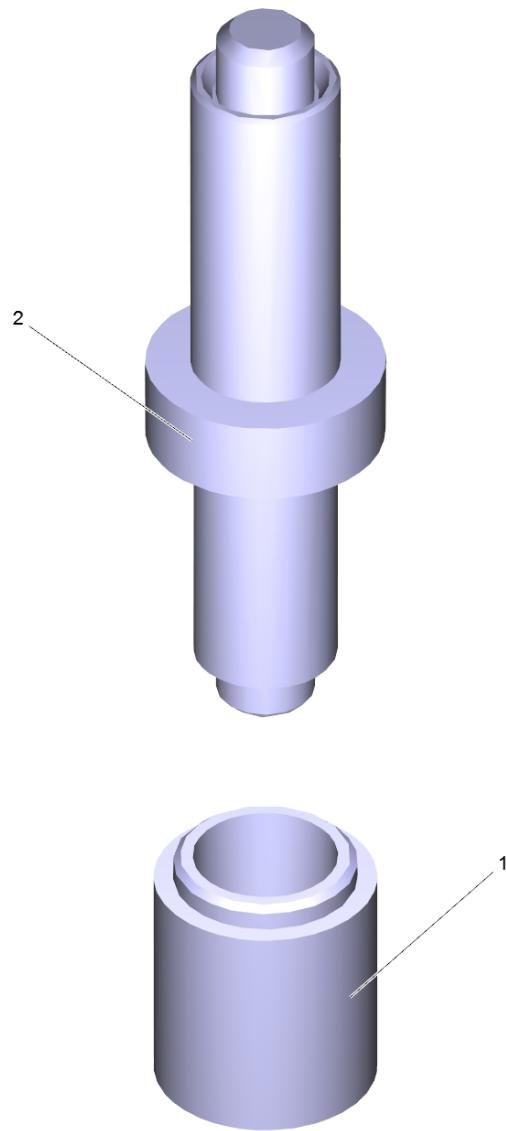
11 Valve pin complete (4.584-022.0)

POS	Article no.	Description	Quantity	Unit
208	6.363-613.0	O-Ring seal 4 x 2 -NBR90	1	PC



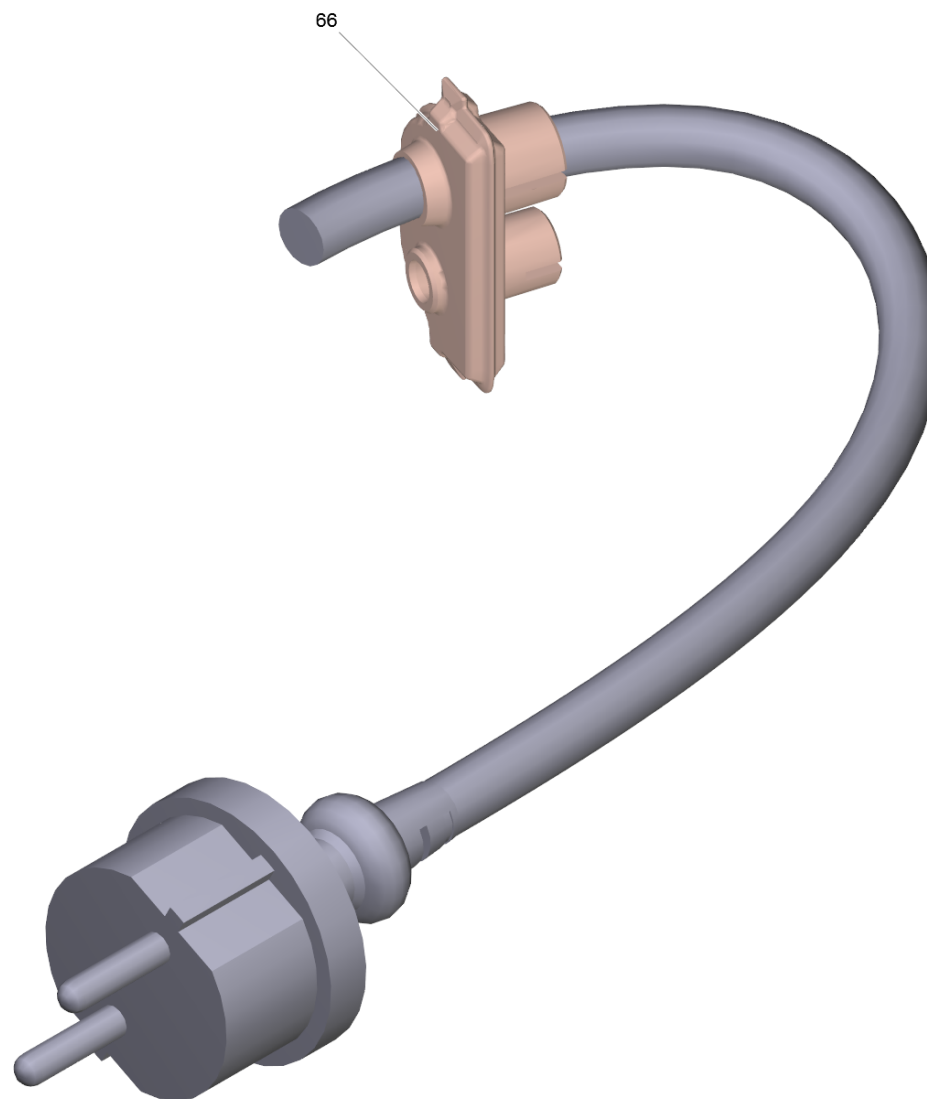
53 Spare parts set electric box complete HD (2.885-375.0)

POS	Article no.	Description	Quantity	Unit
65	6.961-079.3	Micro switch	1	PC
67	2.885-376.0	Selector shaft spare parts set HDC	1	PC
70	5.363-749.0	Seal control piston	1	PC
150	5.363-807.0	Seal cable HDC	1	PC
161	5.363-761.0	Seal label	1	PC



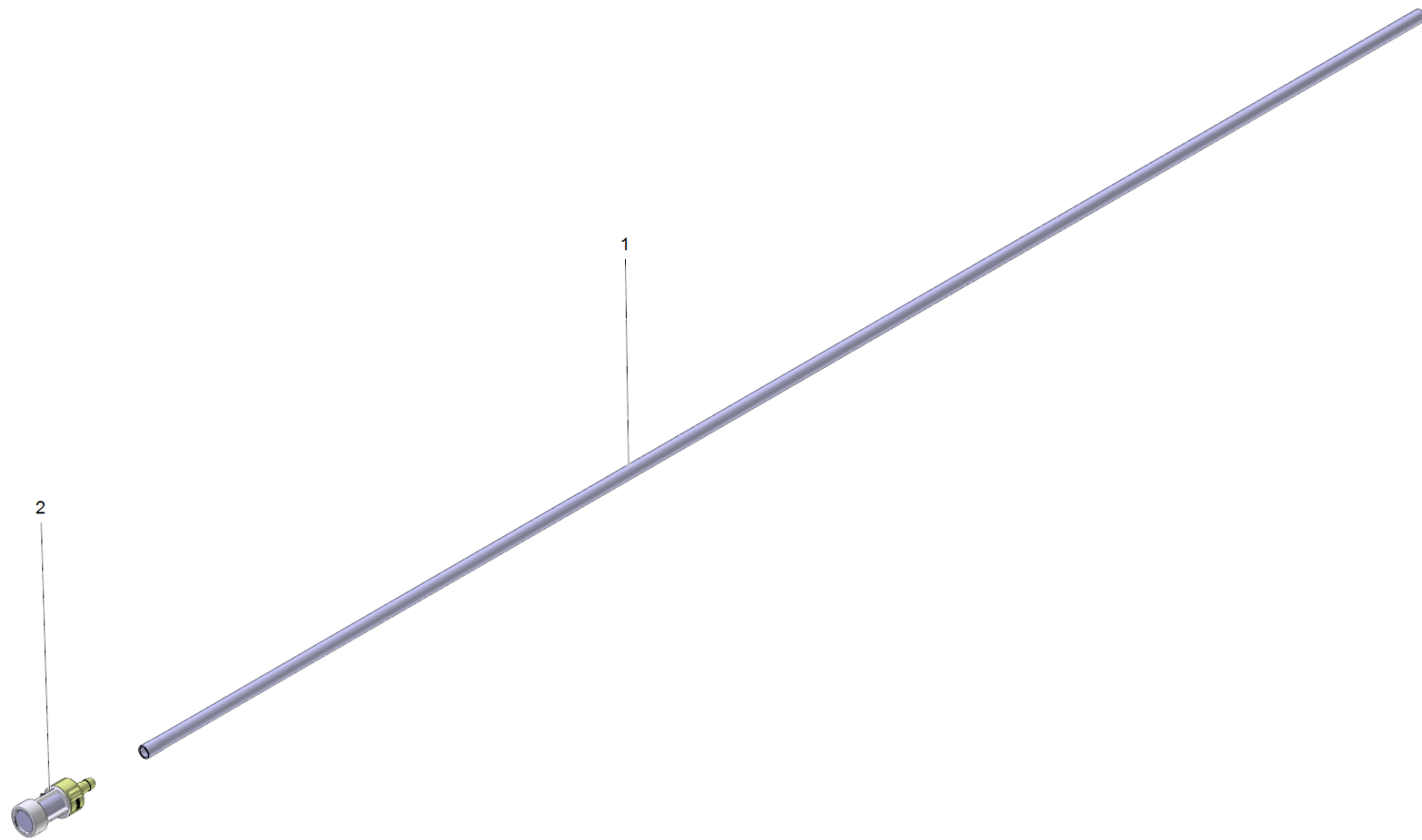
999 Tool (2.901-048.0)

POS	Article no.	Description	Quantity	Unit
1	5.901-223.0	Fitting case C=21,4- D=16,9mm	1	PC
2	5.901-224.0	Assembly mandril A=16,8-B=11,5mm	1	PC



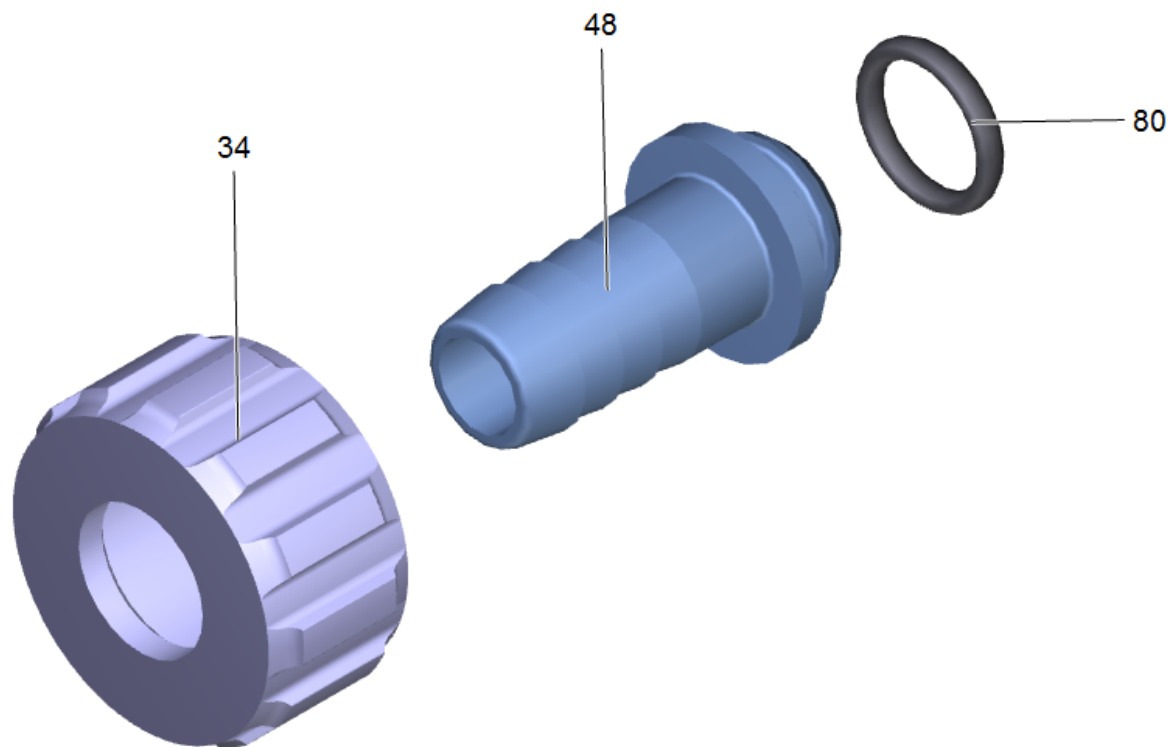
12 Cable with plug *EU (6.650-201.3)

POS	Article no.	Description	Quantity	Unit
66	5.363-807.0	Seal cable HDC	1	PC



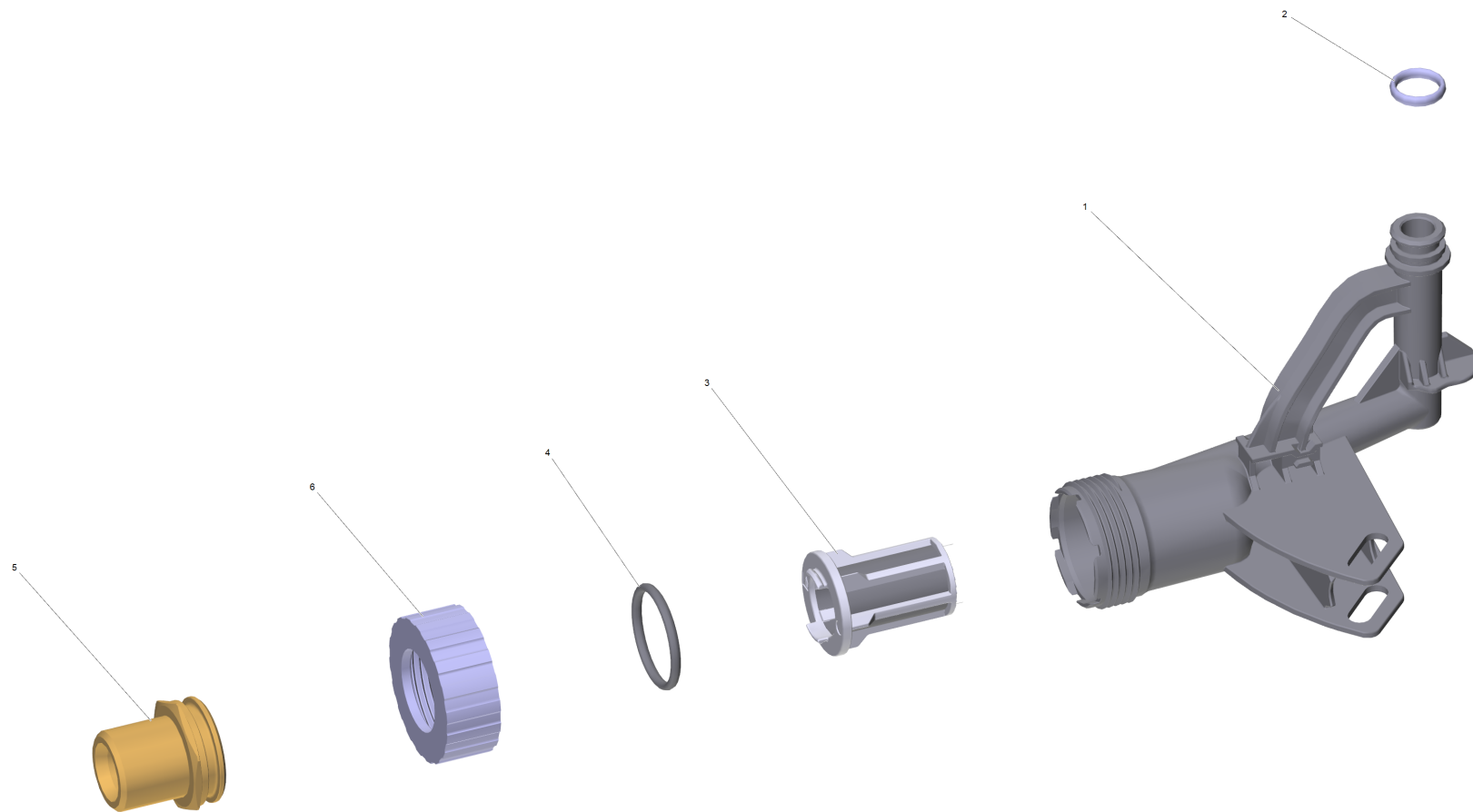
31 Filter with hose RM 1,05

POS	Article no.	Description	Quantity	Unit
1	6.388-216.0	Hose DN 5	1	m
2	4.862-225.0	Filter chemistry regulation	1	PC



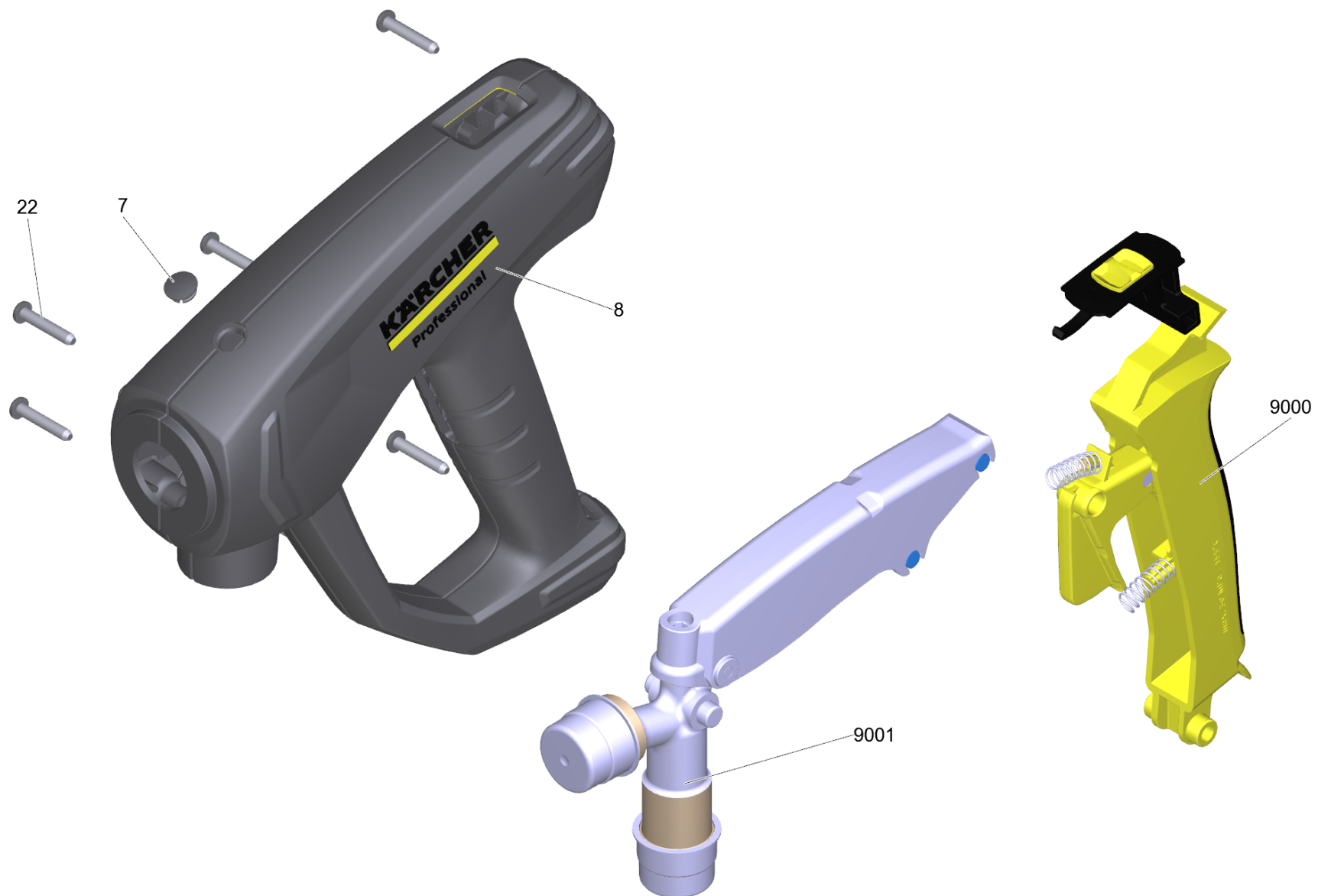
43 Screw connector part (4.401-056.0)

POS	Article no.	Description	Quantity	Unit
34	5.310-065.0	Nut	1	PC
48	5.443-229.0	Hose stem	1	PC
80	6.362-078.0	O-Ring seal 13,3x2,4	1	PC



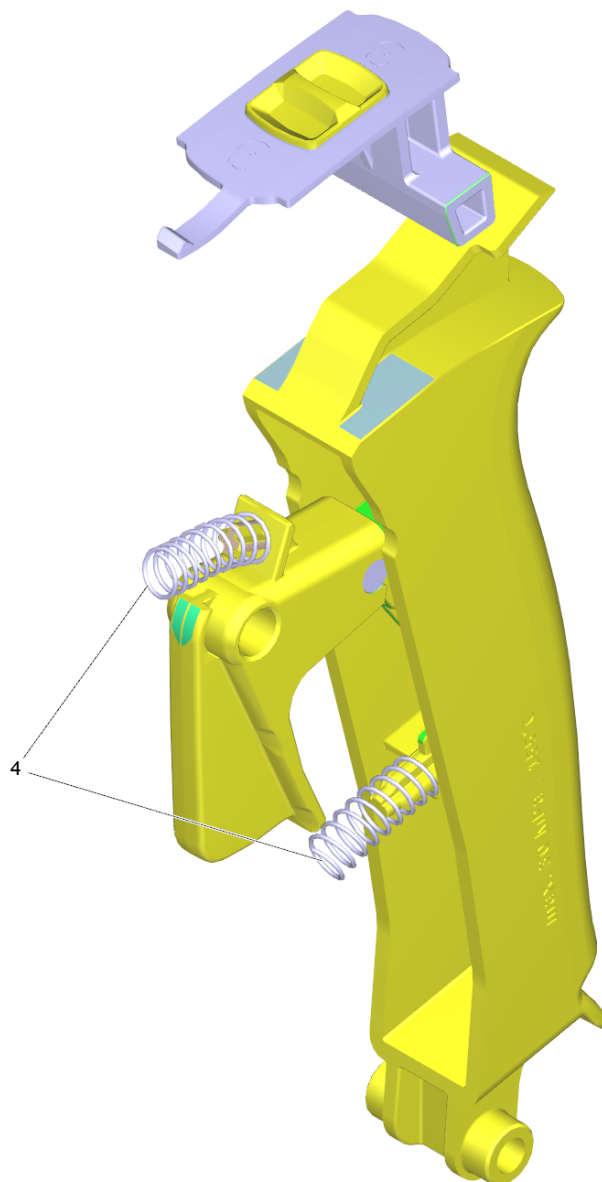
50 Water intake complete

POS	Article no.	Description	Quantity	Unit
1	5.443-672.0	Tube water intake	1	PC
2	6.363-610.0	O-Ring seal 13 x 3 -NBR	1	PC
3	5.731-059.0	Filter cartridge with cone (mesh 100)	1	PC
4	6.363-437.0	O-Ring seal 30x3	1	PC
5	5.064-517.0	Connection piece water intake G 3/4 A	1	PC
6	5.064-465.0	Nut water intake	1	PC



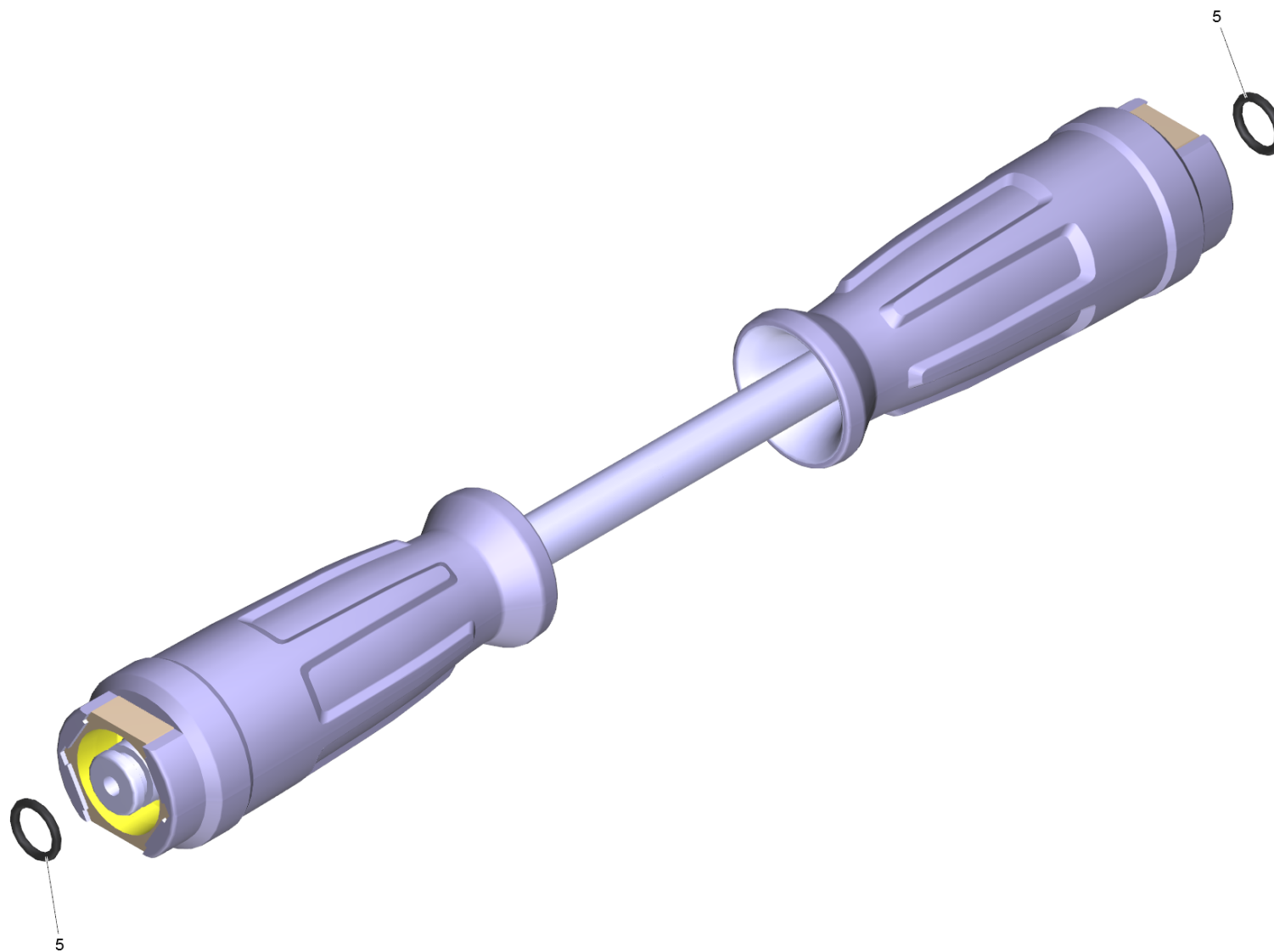
60 EASY!Force Advanced (4.118-005.0)

POS	Article no.	Description	Quantity	Unit
7	5.132-001.0	Plug	1	PC
8	5.321-136.3	Handhold few EH 155 only for replacement	1	PC
22	7.303-096.0	Screw 4x22-ST-10.9-R2R (IN6RD)	7	PC
9000	2.885-483.0	Spare part set lever	1	PC
9001	4.427-014.0	Manifold TR EH 155 nur fuer Ersatz	1	PC



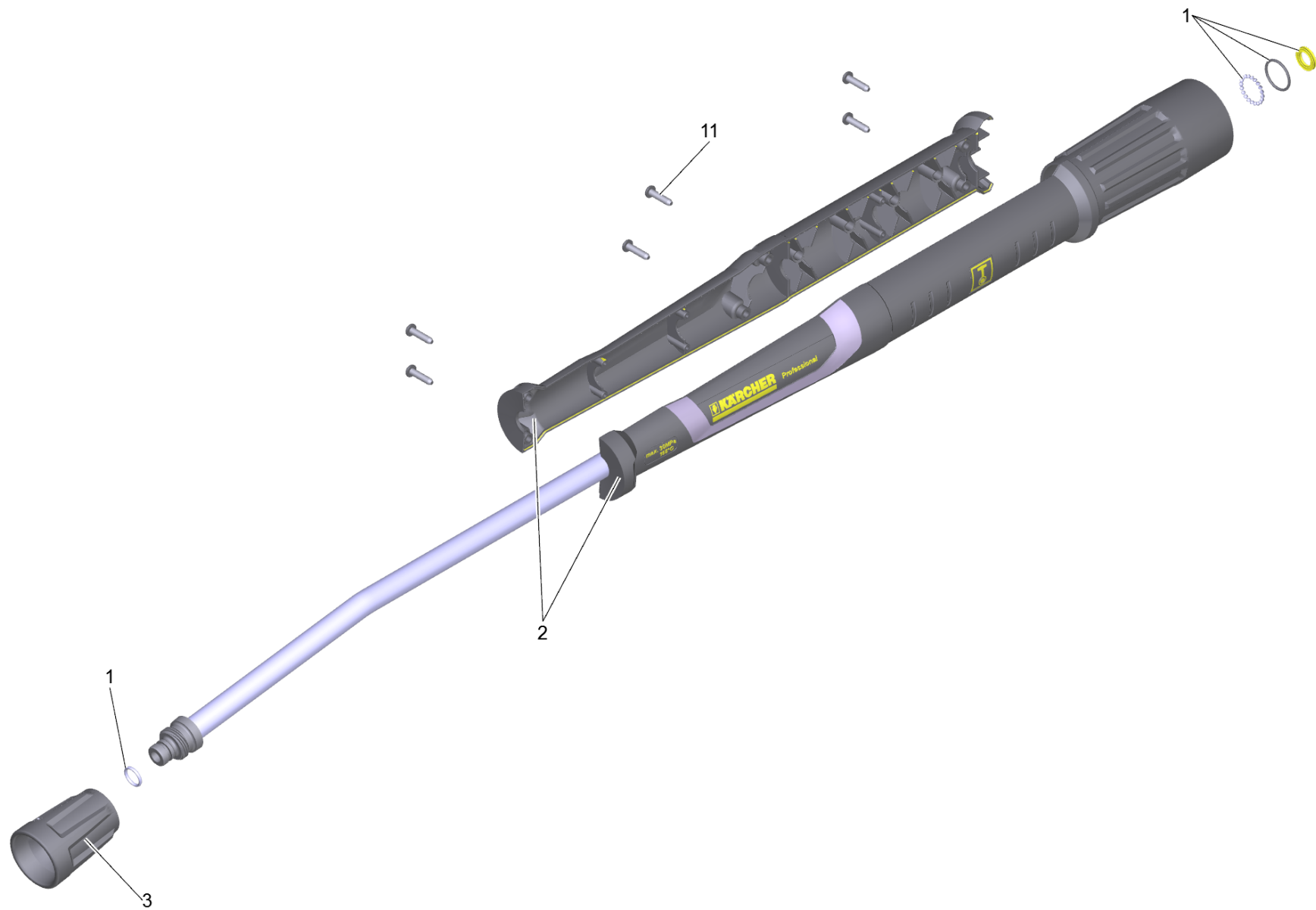
9000 Spare part set lever (2.885-483.0)

POS	Article no.	Description	Quantity	Unit
4	5.332-178.0	Helical spring	2	PC



61 Hose assembly TR DN6 25MPa 10m (6.110-034.0)

POS	Article no.	Description	Quantity	Unit
5	2.880-154.0	O-Ring kit	1	PC

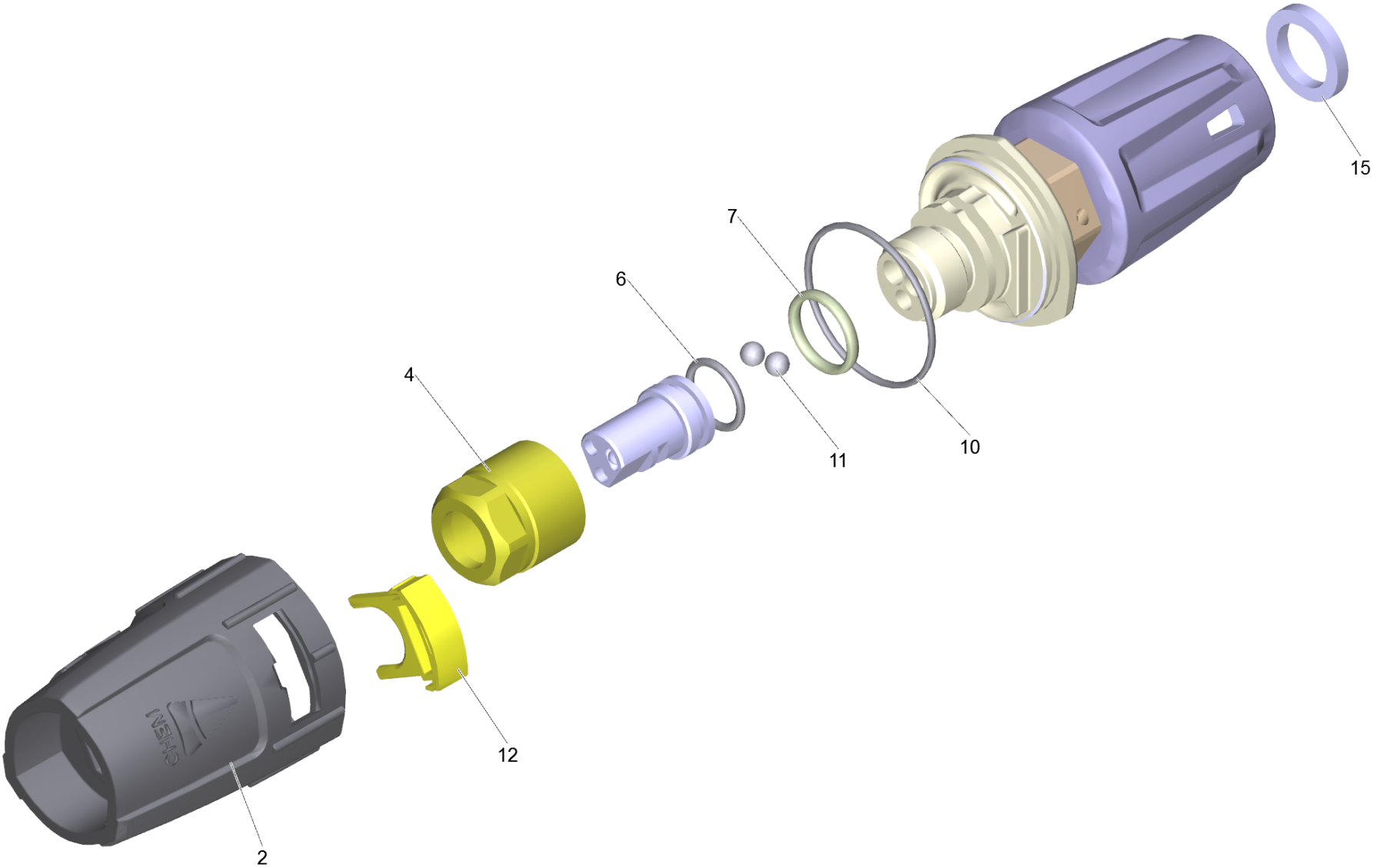


63 Jet pipe TR 840 mm (4.112-006.0)

POS	Article no.	Description	Quantity	Unit
1	4.100-688.0	Spare part set seal TR	1	PC
2	5.321-018.3	Handle bowl jet pipe only for replacemen	1	PC
3	4.112-011.0	Protection part TR only for replacement	1	PC
11	7.303-129.0	Screw 4x16-10.9-R2R (K-In6Rd)	6	PC

902 Triple jet nozzle TR 032 (4.117-027.0)

POS	Description	Quantity	Unit
1	Triple jet nozzle TR 032	1	PC



1 Triple jet nozzle TR 032

POS	Article no.	Description	Quantity	Unit
2	5.394-859.0	Protection part	1	PC
4	5.311-225.0	Nut	1	PC
6	6.362-480.0	O-Ring seal 12,42x 1,78	1	PC
7	6.362-460.0	O-Ring seal 14,0 X 2,5-NBR 70	1	PC
10	6.362-409.0	O-Ring seal 32,0 X 1,5	1	PC
11	7.401-902.0	Sphere 5 G20 -1.4034 DIN 5401	2	PC
12	5.321-884.0	Clamp	1	PC
15	6.363-696.0	Brake ring 14x20x3	1	PC