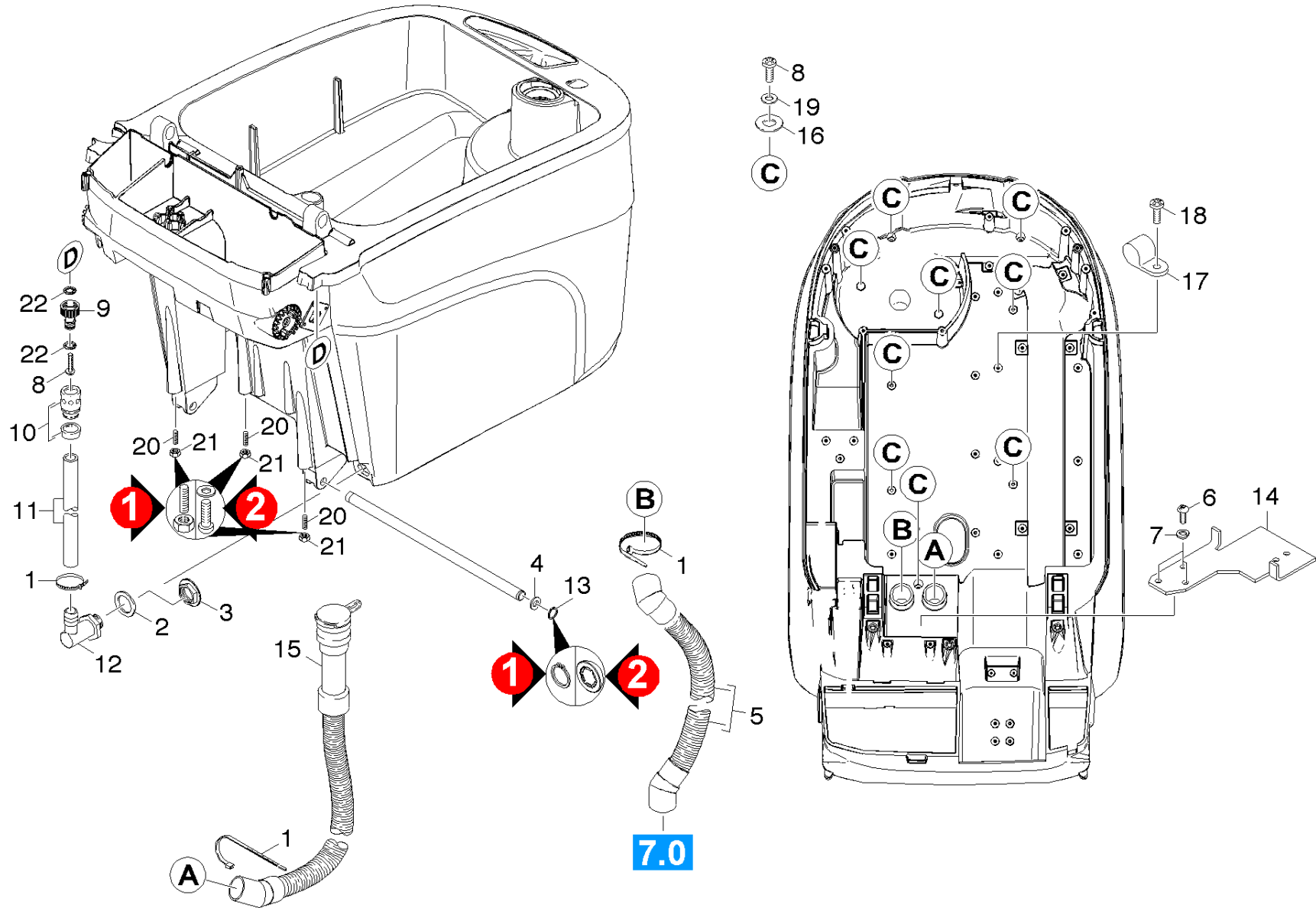


12 Individual parts

Overview technical documents/Professional/Floor cleaner/Walk behind/BD 45/40 W *EU (1.533-119.0)/Spare parts list BR/BD 45-55 / 40/10 Tank/12 Individual parts



12 Individual parts

Overview technical documents/Professional/Floor cleaner/Walk behind/BD 45/40 W *EU (1.533-119.0)/Spare parts list BR/BD 45-55 / 40/10 Tank/12 Individual parts

Rez.daļas/nodil.pakļ.daļas	Poz.	Materiāla Nr.	Nosaukums	Daudzums	Pārdoš. vienība	no sēr. Nr..	līdz sēr. Nr.
	1	6.641-474.0	Kabeļu aptvere 8-210	3.000	ST	0000000000	0000000000
X-X	2	5.515-253.0	Rullītis	1.000	ST	0000000000	0000000000
	3	5.131-066.0	Izvades tvertnes ievads	1.000	ST	0000000000	0000000000
	4	5.115-238.0	Washer	2.000	ST	0000000000	0000000000
X-X	5	6.391-474.0	Sūksanas šļūtene	1.000	ST	0000000000	0000000000
	6	7.303-210.0	Screw 5x30 -10.9-A2R (In6Rd)	3.000	ST		
X-X	7	7.313-002.0	Spring washer B 5-FSt-A3E DIN 127	3.000	ST		
	8	7.303-114.0	Screw 6 x 35-ST-10.9-A2R (IN6RD)	10.000	ST		
	9	6.391-468.0	Savienojums bez blīves 3/4	1.000	ST	0000000000	0000000000
	10	4.645-332.0	HOSE CONNECTOR 1/2" / 5/8" OPP	1.000	ST	0000000000	0000000000
	11	6.391-473.0	Hose silicon	1.000	ST	0000000000	0000000000
X-X	12	6.395-163.0	Leņķveida uzgalis G1-2	1.000	ST	0000000000	0000000000
X-X	13	6.343-240.0	Lock washer	2.000	ST		
X-X	13	7.343-015.0	Bloķētājgredzens 15x1-FST-RF DIN 471	2.000	ST	0000000000	0000000000
	14	5.057-933.0	Plate plug SB 80	1.000	ST		
Pozīcijas teksts: //1.533-104/ -105/ -110/ -111/ -114/-154/ -155/ -160/ -161/ -164.0							
X-X	15	6.391-472.0	Aizplūdes šļūtene	1.000	ST		
X-X	16	5.363-648.0	Joint ring D14	9.000	ST	0000000000	0000000000
	17	6.373-343.0	Pipe clamp D 6	4.000	ST	0000000000	0000000000
X	18	7.303-107.0	Skrūve 5x16 -10.9-P2R (K-In6Rd)	4.000	ST	0000000000	0000000000
	19	7.312-232.0	Serrated lock washer A6,4-FSt-A3E DIN 6	9.000	ST	0000000000	0000000000
	20	7.306-133.0	Screw	3.000	ST		
	20	7.307-418.0	Tapa ar vītņi M6x35 -St-45H-A2E ISO 4026	3.000	ST		
	21	7.311-022.0	Hexagon nut M 6-A2-70 ISO 7040	3.000	ST		
	21	7.312-260.0	washer	3.000	ST		

12 Individual parts

Overview technical documents/Professional/Floor cleaner/Walk behind/BD 45/40 W *EU (1.533-119.0)/Spare parts list BR/BD 45-55 / 40/10 Tank/12 Individual parts

Rez.daļas/nodil.pakļ.daļas	Poz.	Materiāla Nr.	Nosaukums	Daudzums	Pārdoš. vienība	no sēr. Nr..	līdz sēr. Nr.
	22	7.312-167.0	Toothed lock washer A6,4-FSt-A3E DIN 67	2.000	ST		
