

Spare parts list

(5.973-785.0) Spare parts list HDS 10/20-4M *EU-I

Table of contents

Spare parts list HDS 10/20-4M *EU-I (5.973-785.0)	4
10 Housing	5
11 Housing top part	6
8 Device cover complete only for replaceme (4.066-426.0)	8
1 Device cover complete basalt grey RAL 70	9
12 Housing bottom part	11
26 Cover fuel complete (4.064-013.0)	13
44 Set water connection 1 " (2.640-492.0)	15
20 Pump set	17
21 Cylinder head	18
20 Valve (3 Stueck) (2.884-512.0)	21
34 Piston complete only for replacement (4.553-197.0)	23
40 Valve complete (4.580-594.0)	25
100 Spare part set pump (2.885-034.0)	27
1 Valve (3 Stueck) (2.884-512.0)	28
3 Valve complete (4.580-594.0)	30
22 Piston	32
30 Motor	34
40 Blower	37
12 Conversion kit blower wheel (2.641-430.0)	39
50 Fuel pump and filter	41
3 Fuel pump only for replacement (4.473-032.0)	43
6 Filter complete (4.730-167.3)	45
1 Filter complete (4.730-167.0)	46
60 Electric control box	48
70 Flow heater	50
72 Burner cover	51
7 Cover pressure boiler only for replaceme (4.654-288.0)	53
11 Conversion kit ignition electrode (2.638-974.0)	55
74 Heating coil	57
75 Burner bottom	59
2 Bottom pressure boiler (4.655-044.0)	61
80 Float valve	63
90 Safety system	65
10 Safety valve complete replacement (4.580-709.0)	67
100 Accessories	69
101 Power nozzle TR 25054 (2.113-011.0)	71
102 Steam nozzle TR 40070 (2.114-006.0)	73

Table of contents

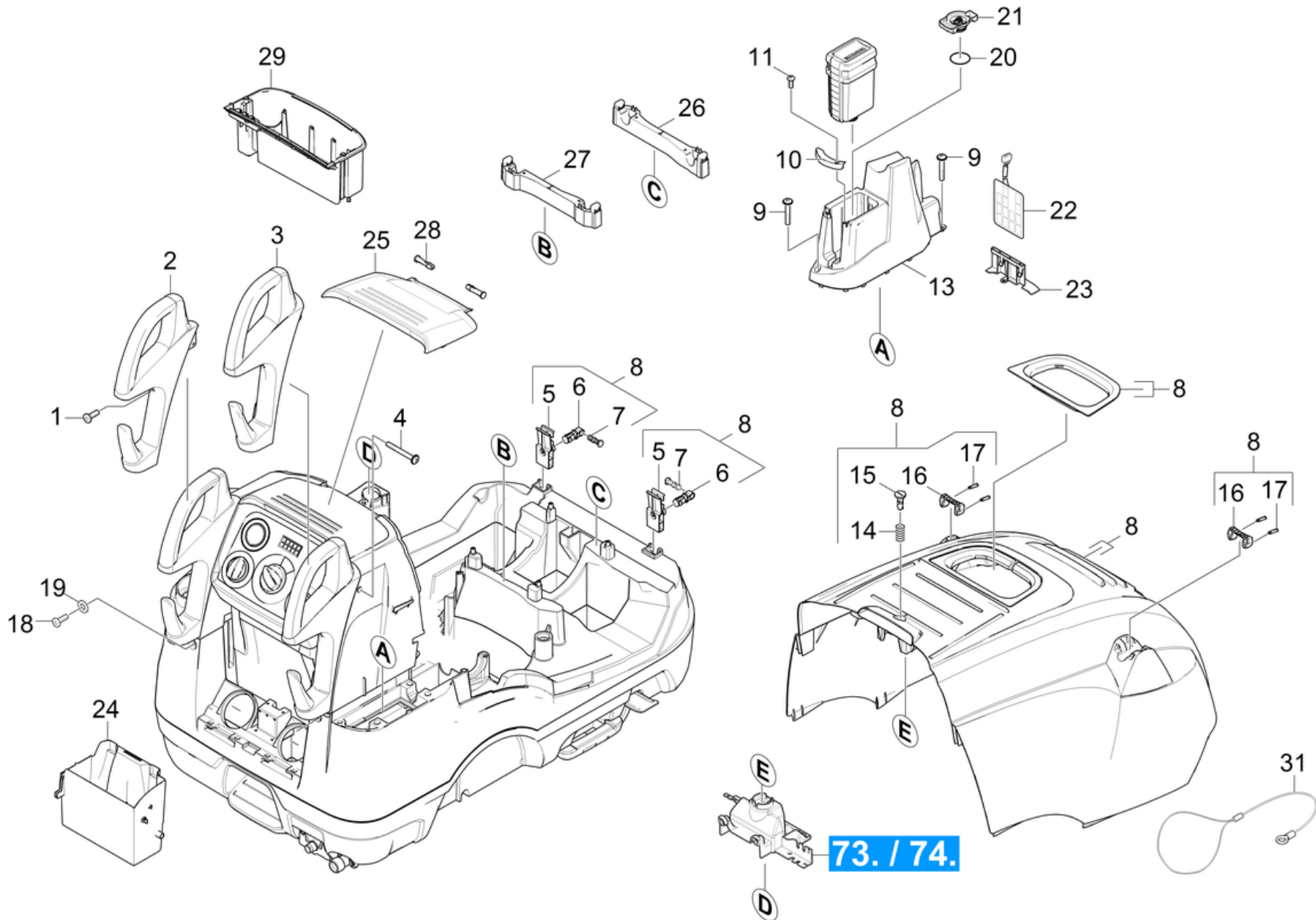
103 Jet pipe TR 1050 mm (4.112-000.0)	75
1 Jet pipe TR 1050 mm	76
105 EASY!Force Advanced (4.118-005.0)	78
1 Hand trigger gun TR EH 155	79
9000 Spare part set lever (2.885-483.0)	81
106 Rotary controller TR 416L (4.118-008.0)	83
1 Rotary controller TR 416L	84
107 Hose assembly TR rotatable DN8 40MPa 20m (6.110-027.0)	86
107 Hose assembly TR DN8 40MPa 10m (6.110-038.0)	88
1 Hose assembly TR rotatable DN8 40MPa 10m	89
110 Control panel	91

Spare parts list HDS 10/20-4M *EU-I (5.973-785.0)

POS	Description	Quantity	Unit
10	Housing	1.000	ST
20	Pump set	1.000	ST
30	Motor	1.000	ST
40	Blower	1.000	ST
50	Fuel pump and filter	1.000	ST
60	Electric control box	1.000	ST
70	Flow heater	1.000	ST
80	Float valve	1.000	ST
90	Safety system	1.000	ST
100	Accessories	1.000	ST
110	Control panel	1.000	ST

10 Housing

POS	Description	Quantity	Unit
11	Housing top part	1.000	ST
12	Housing bottom part	1.000	ST

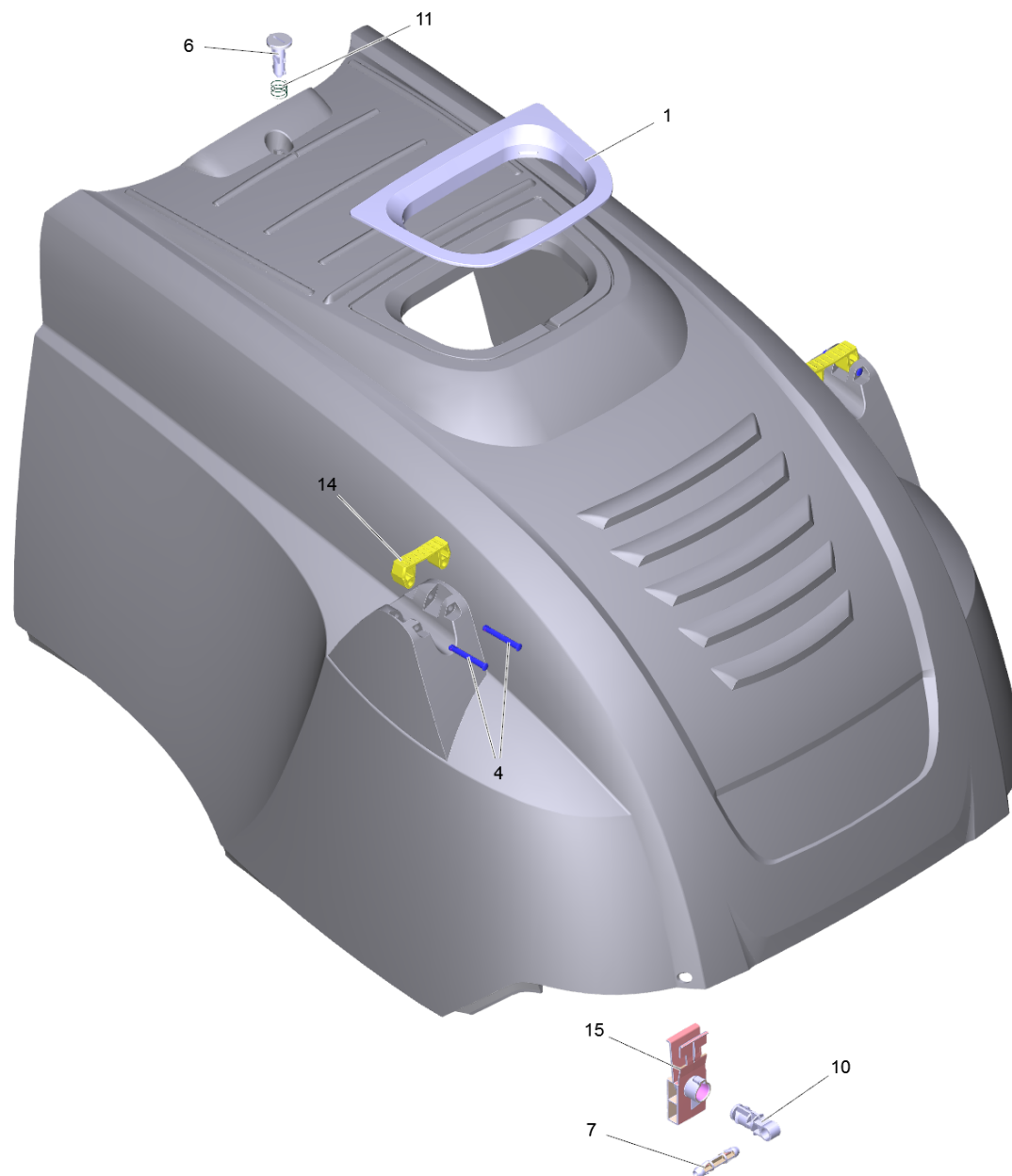


11 Housing top part

POS	Article no.	Description	Quantity	Unit
1	7.303-069.0	Screw M 8x25-ST-R3R (IN6RD)	2.000	ST
2	5.321-830.0	Sliding handle left	1.000	ST
3	5.321-831.3	Sliding handle right	1.000	ST
4	7.303-209.0	Screw 6x50 -10.9-R2R (K-In6Rd)	2.000	ST
5	5.501-083.0	Hinge cover black	2.000	ST
6	5.317-779.0	Bolt hinge black	2.000	ST
7	5.317-291.0	Bolt	2.000	ST
8	4.066-426.0	Device cover complete only for replaceme	1.000	ST
9	7.303-086.0	Screw 5x30 -10.9-R2R (K-In6Rd)	2.000	ST
10	5.033-381.0	Profile	1.000	ST
11	7.303-106.0	Screw 4x12 -10.9-R2R (IN6RD)	1.000	ST
13	5.033-344.0	Covering cap DGT	1.000	ST
14	5.332-236.0	Helical spring	1.000	ST
15	5.317-765.0	Bolt closure cover	1.000	ST
16	5.424-162.0	Fixing jet pipe	2.000	ST
17	5.314-143.0	Pin fixing jet pipe	4.000	ST
18	6.303-497.0	Screw M8x35-8.8-A2E (IN6RD)	2.000	ST
19	7.312-277.0	Washer 8-200HV-A2E ISO7093-1	2.000	ST
20	6.362-377.0	O-Ring seal 38,0 X 2,0-NBR 70	1.000	ST
21	5.425-495.0	CONNECTION PIECE DGT	1.000	ST
22	2.885-055.0	Circuit board	1.000	ST
23	5.044-889.0	Holder circuit board	1.000	ST
24	5.033-155.0	Flap	1.000	ST
25	5.033-113.0	Flap	1.000	ST
26	5.190-249.0	Strip front	1.000	ST
27	5.190-250.0	Strip rear	1.000	ST
28	5.317-220.0	Bolt	2.000	ST
29	5.033-112.0	Storage compartment	1.000	ST
31	6.431-274.0	Tackle cover	1.000	ST
32	5.061-455.0	Sheet metal component	1.000	ST

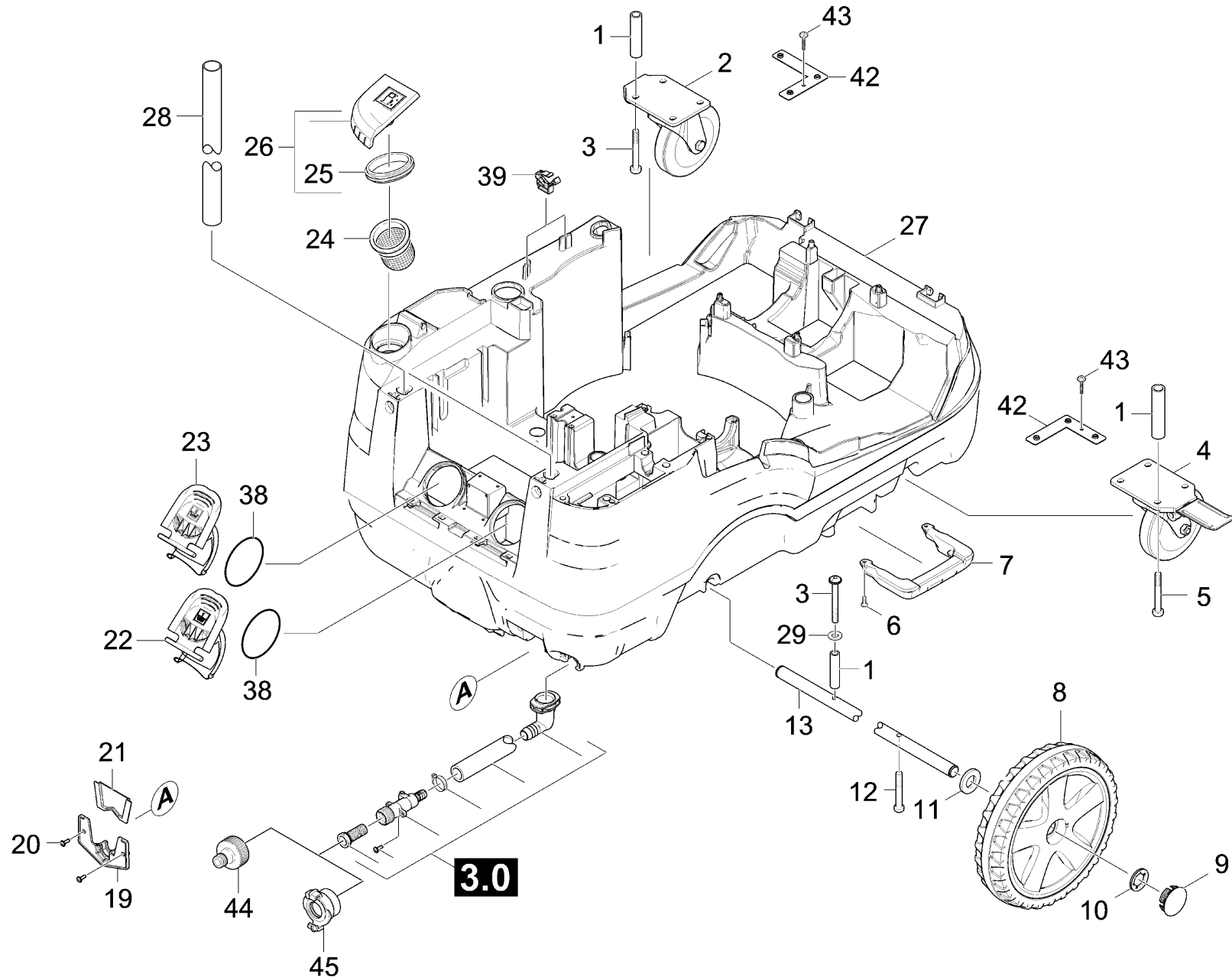
8 Device cover complete only for replaceme (4.066-426.0)

POS	Description	Quantity	Unit
1	Device cover complete basalt grey RAL 70	1.000	ST



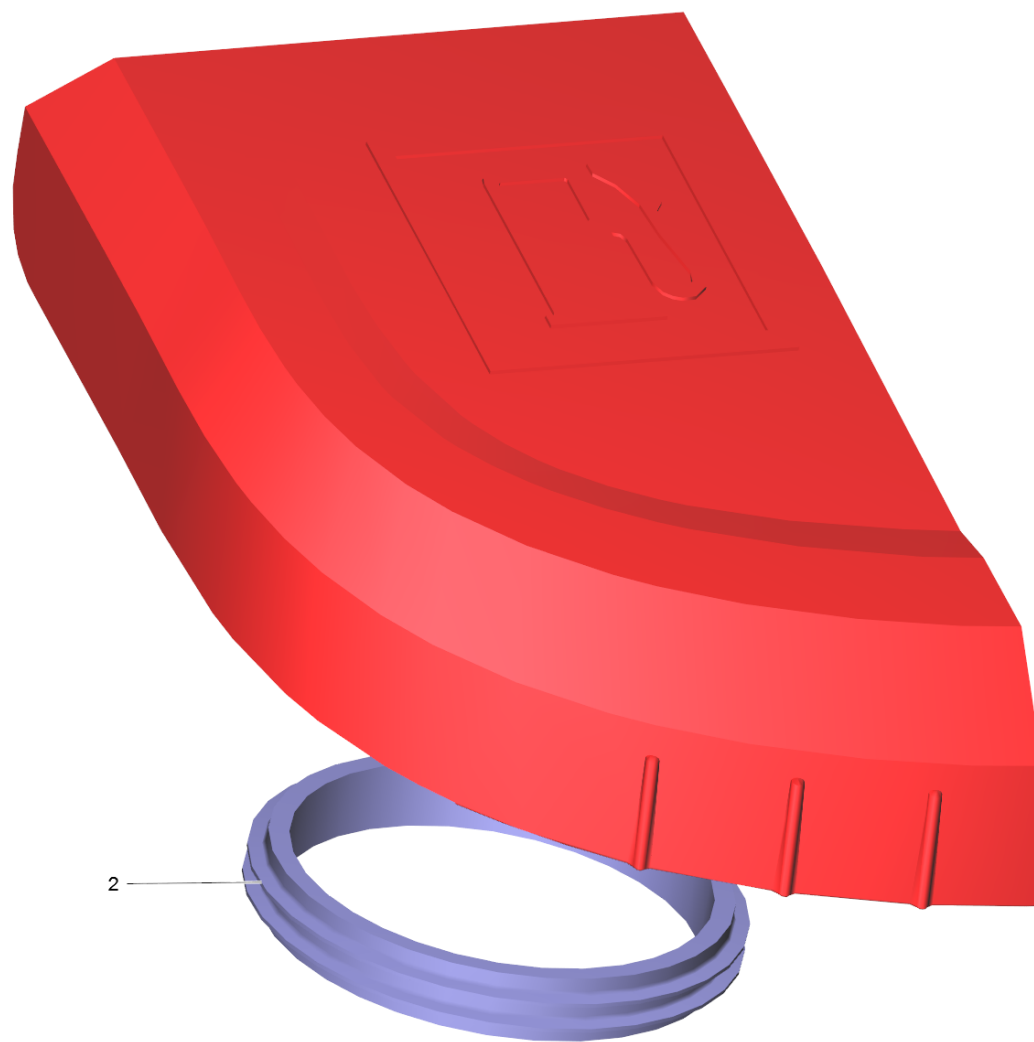
1 Device cover complete basalt grey RAL 70

POS	Article no.	Description	Quantity	Unit
1	5.061-455.0	Sheet metal component	1.000	ST
4	5.314-143.0	Pin fixing jet pipe	4.000	ST
6	5.317-765.0	Bolt closure cover	1.000	ST
7	5.317-291.0	Bolt	2.000	ST
10	5.317-779.0	Bolt hinge black	2.000	ST
11	5.332-236.0	Helical spring	1.000	ST
14	5.424-162.0	Fixing jet pipe	2.000	ST
15	5.501-083.0	Hinge cover black	2.000	ST



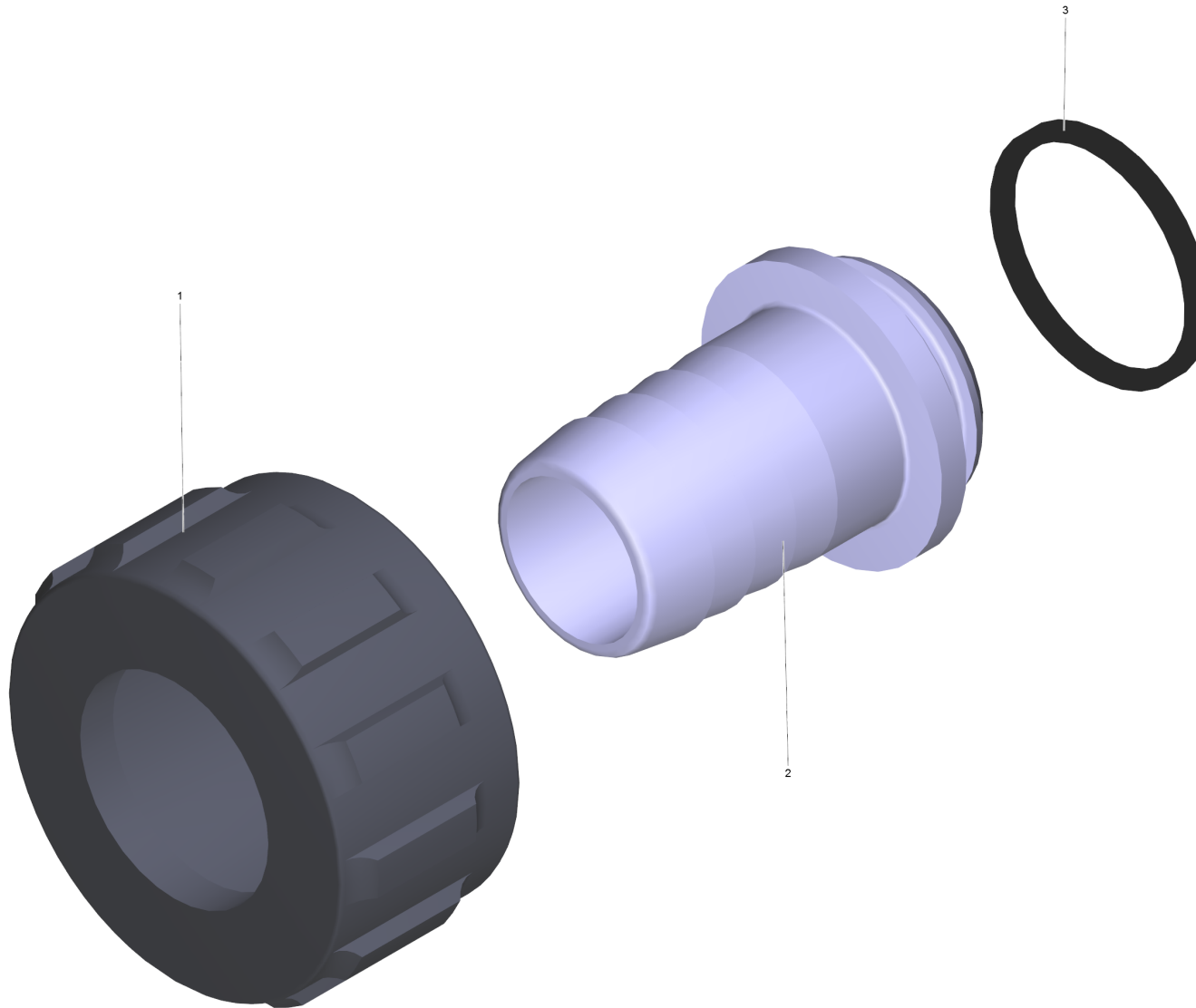
12 Housing bottom part

POS	Article no.	Description	Quantity	Unit	Foot note text
1	5.111-065.0	Spacer sleeve	7.000	ST	
2	6.435-777.0	Castor D 160	1.000	ST	
3	7.303-236.0	Screw M 8x60-St-A3E (IN6RD)	4.000	ST	
4	6.435-747.0	Castor	1.000	ST	
5	7.303-237.0	Screw M 8x70-St-A3K (IN6RD)	3.000	ST	
6	7.303-046.0	Screw M6x12 -St-R3R (In6Rd)	4.000	ST	
7	5.424-136.0	Fixing	2.000	ST	
8	4.515-345.0	Wheel complete	2.000	ST	
9	2.889-086.0	Set wheel cap	1.000	ST	SET OF 2 PIECES
10	6.343-162.0	Lock washer -25	2.000	ST	
11	7.312-060.0	Washer 24-100HV-A3E ISO 7091	2.000	ST	
12	7.303-236.0	Screw M 8x60-St-A3E (IN6RD)	1.000	ST	
13	5.105-652.0	Axle	1.000	ST	
19	5.263-087.0	Tensioning part	1.000	ST	
20	7.303-086.0	Screw 5x30 -10.9-R2R (K-In6Rd)	2.000	ST	
21	5.263-088.0	Tensioning part	1.000	ST	
22	5.064-231.0	Cover chemistry 2	1.000	ST	
23	5.064-221.0	Cover chemistry 1	1.000	ST	
24	5.731-039.0	Filter	1.000	ST	
25	5.363-300.0	Joint ring	1.000	ST	
26	4.064-013.0	Cover fuel complete	1.000	ST	
27	4.051-109.0	Frame neue M-Klasse Ersatz	1.000	ST	
28	5.027-292.0	Tube handhold	2.000	ST	
29	7.312-277.0	Washer 8-200HV-A2E ISO7093-1	1.000	ST	
38	6.363-443.0	O-Ring seal 75x5	2.000	ST	
39	5.802-306.0	Holder cable	2.000	ST	
42	5.424-137.0	Fixing castor	2.000	ST	
43	7.303-107.0	Screw 5x16 -10.9-P2R (K-In6Rd)	2.000	ST	
44	2.640-492.0	Set water connection 1 "	1.000	ST	
45	6.388-458.0	Hose coupling	1.000	ST	



26 Cover fuel complete (4.064-013.0)

POS	Article no.	Description	Quantity	Unit
2	5.363-300.0	Joint ring	1.000	ST

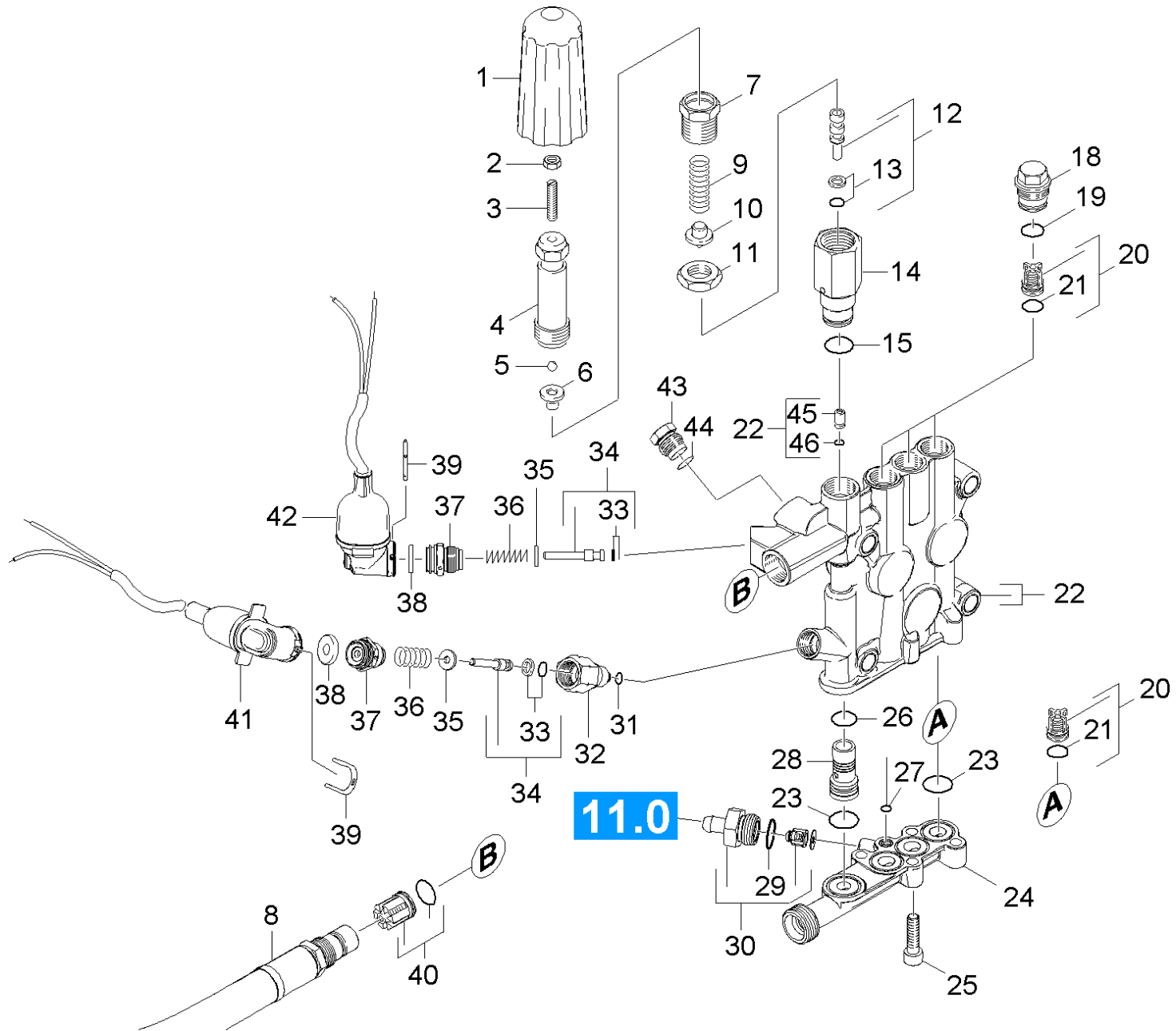


44 Set water connection 1 " (2.640-492.0)

POS	Article no.	Description	Quantity	Unit
1	5.310-076.0	Nut	1.000	ST
2	5.443-291.0	Hose stem	1.000	ST
3	6.362-161.0	O-Ring seal 19,3 X 2,4	1.000	ST

20 Pump set

POS	Description	Quantity	Unit
21	Cylinder head	1.000	ST
22	Piston	1.000	ST

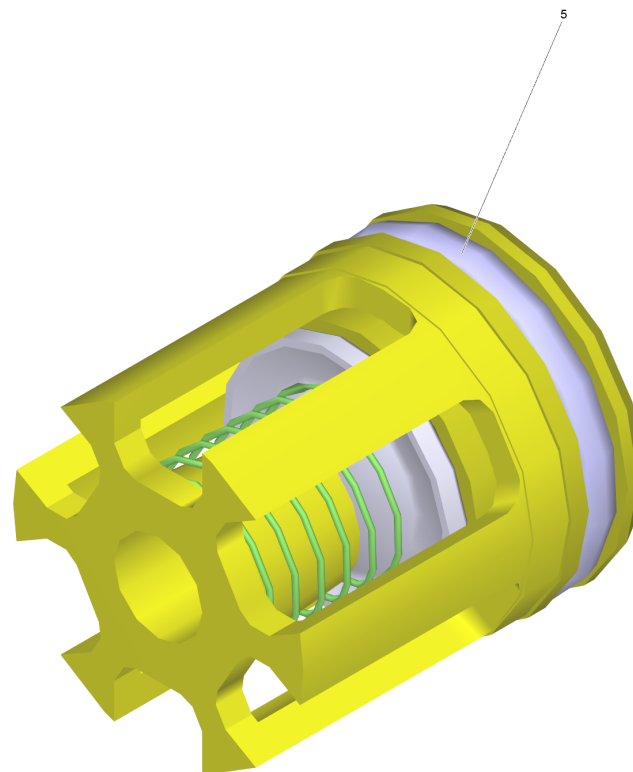


21 Cylinder head

POS	Article no.	Description	Quantity	Unit
1	5.322-103.0	Handle	1.000	ST
2	7.311-002.0	Hexagon nut M5 -8-A2E ISO 4032	1.000	ST
3	7.307-017.0	Threaded pin M5x40 -St-45H-A2E ISO 4026	1.000	ST
4	5.304-070.0	Hexagonal head screw	1.000	ST
5	7.401-931.0	Sphere 5 KI3 -1.4401 DIN 5401	1.000	ST
6	5.582-121.0	Valve disc	1.000	ST
7	5.404-082.0	Hollow screw	1.000	ST
8	6.391-629.0	High pressure hose DN 13	1.000	ST
9	5.332-444.0	Helical spring	1.000	ST
10	5.584-114.0	Valve pin	1.000	ST
11	5.311-204.0	Hexagon nut M22x1,5	1.000	ST
12	4.553-287.0	Piston complete	1.000	ST
13	6.362-468.0	O-Ring seal complete 1ST.-R.	1.000	ST
14	5.402-746.0	Connection piece	1.000	ST
15	6.362-427.0	O-Ring seal 15,0x2,0	1.000	ST
18	5.583-146.3	Valve screw	3.000	ST
19	6.362-481.0	O-Ring seal 14,0 x 2,0 NBR 80	3.000	ST
20	2.884-512.0	Valve (3 Stueck)	2.000	ST
21	6.363-003.0	O-Ring seal 13,0 X 2,0-NBR 90	6.000	ST
22	4.550-886.0	Cylinder head complete	1.000	ST
23	6.363-536.0	O-Ring seal 21x1,5	4.000	ST
24	5.427-418.0	Manifold water intake	1.000	ST
25	7.306-043.0	Cylinder head screw M8x30 -8.8-A2E ISO	4.000	ST
26	6.362-381.0	O-Ring seal 13x2 - NBR 70	1.000	ST
27	6.362-703.0	O-Ring seal 6,0x1,5-NBR 70	1.000	ST
28	5.110-865.0	Sleeve	1.000	ST
29	6.362-427.0	O-Ring seal 15,0x2,0	1.000	ST
30	4.580-581.3	Valve complete	1.000	ST
31	6.362-853.0	O-Ring seal 4,47x1,78	1.000	ST
32	5.402-705.3	Joining piece	1.000	ST
33	6.363-037.0	O-Ring seal complete 1ST.-R.	2.000	ST
34	4.553-197.0	Piston complete only for replacement	2.000	ST
35	5.115-796.0	Washer	2.000	ST

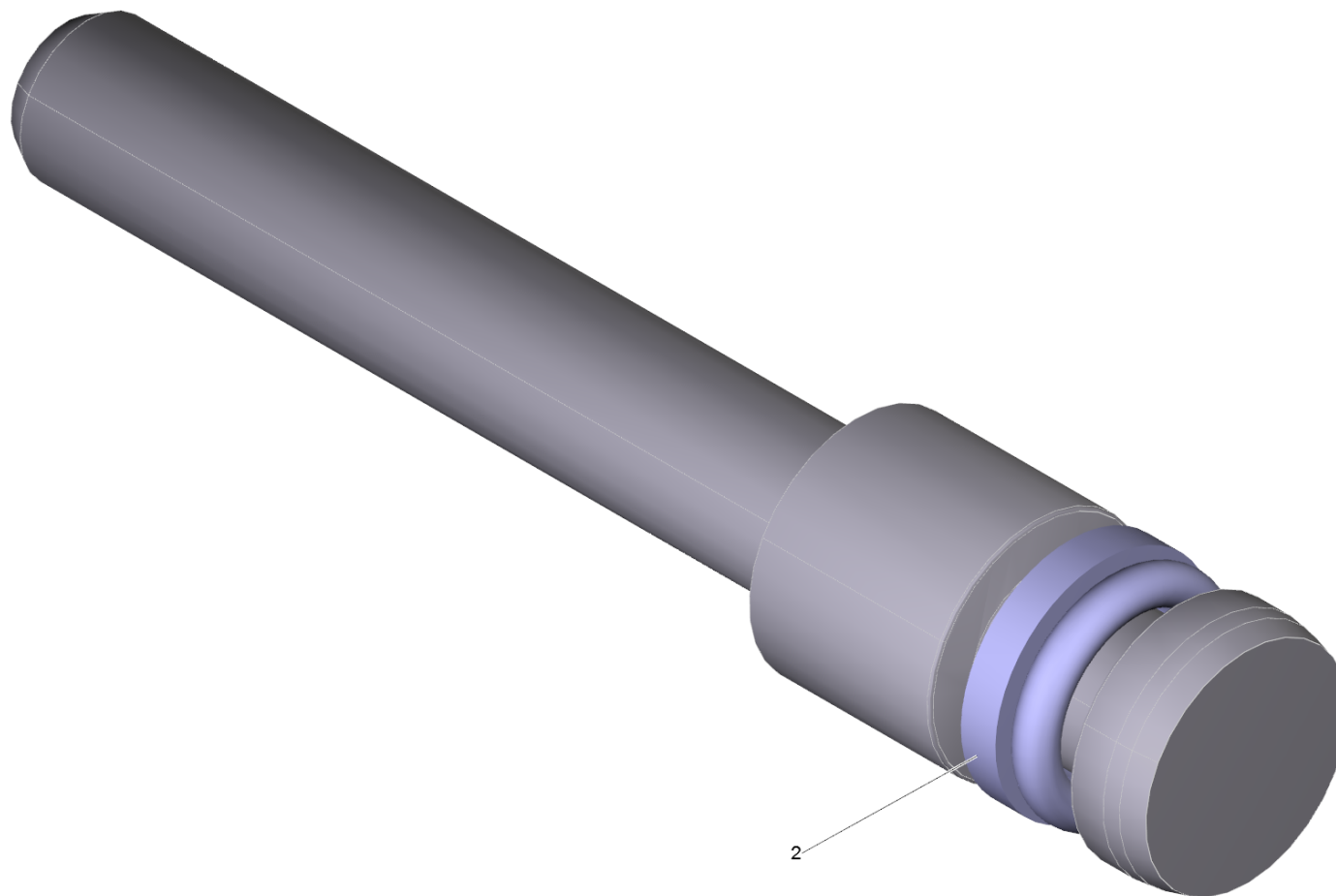
21 Cylinder head

POS	Article no.	Description	Quantity	Unit
36	5.332-268.0	Helical spring	2.000	ST
37	5.411-148.0	Screw plug	2.000	ST
38	5.367-030.0	Diaphragm	2.000	ST
39	5.034-494.0	Retaining bracket	2.000	ST
40	4.580-594.0	Valve complete	1.000	ST
41	4.744-225.3	Switch complete	1.000	ST
42	4.744-224.0	Switch complete	1.000	ST
43	5.411-504.0	Screw plug	1.000	ST
44	6.362-176.0	O-Ring seal 6,07x1,78	1.000	ST
45	5.581-239.0	Valve seat	1.000	ST
46	6.362-386.0	O-Ring seal 5,0 x 1,5-NBR 80	1.000	ST
100	2.885-034.0	Spare part set pump	1.000	ST



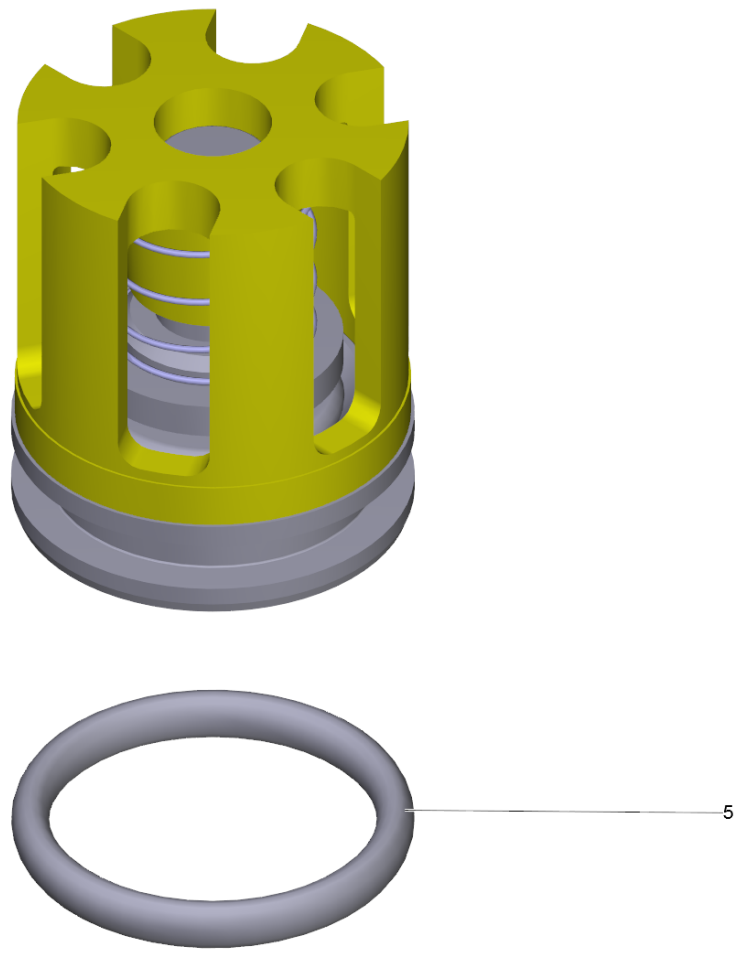
20 Valve (3 Stueck) (2.884-512.0)

POS	Article no.	Description	Quantity	Unit
5	6.363-003.0	O-Ring seal 13,0 X 2,0-NBR 90	1.000	ST



34 Piston complete only for replacement (4.553-197.0)

POS	Article no.	Description	Quantity	Unit
2	6.363-037.0	O-Ring seal complete 1ST.-R.	1.000	ST

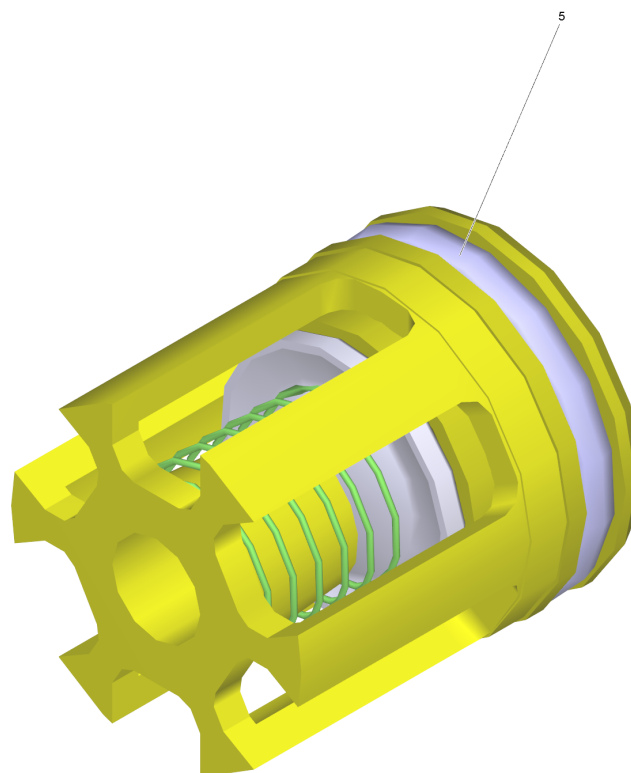


40 Valve complete (4.580-594.0)

POS	Article no.	Description	Quantity	Unit
5	6.362-381.0	O-Ring seal 13x2 - NBR 70	1.000	ST

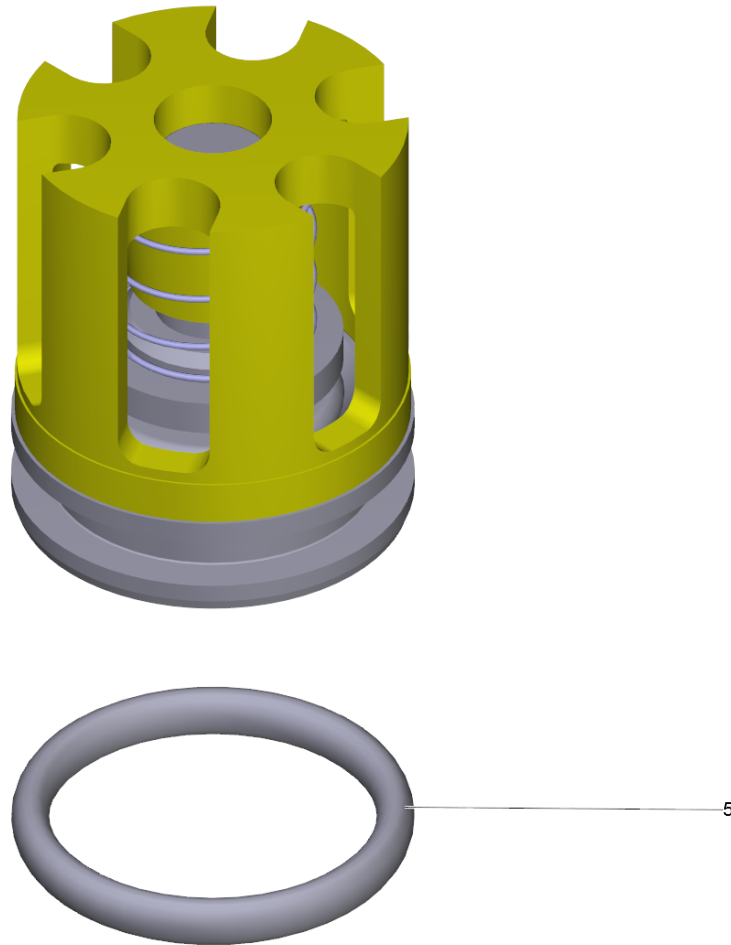
100 Spare part set pump (2.885-034.0)

POS	Article no.	Description	Quantity	Unit
1	2.884-512.0	Valve (3 Stueck)	2.000	ST
2	4.580-581.3	Valve complete	1.000	ST
3	4.580-594.0	Valve complete	1.000	ST
4	5.034-494.0	Retaining bracket	2.000	ST
5	5.115-537.0	Washer	3.000	ST
6	5.115-538.0	Washer	3.000	ST
7	5.115-796.0	Washer	2.000	ST
8	6.362-092.0	O-Ring seal 36,0 X 2,0-NBR 70	3.000	ST
9	6.362-427.0	O-Ring seal 15,0x2,0	1.000	ST
10	6.362-468.0	O-Ring seal complete 1ST.-R.	1.000	ST
11	6.362-481.0	O-Ring seal 14,0 x 2,0 NBR 80	3.000	ST
12	6.362-547.0	O-Ring seal 20,0x1,5-NBR 70	4.000	ST
13	6.365-053.0	Compact seal 20X30X6	3.000	ST
14	6.365-377.0	Grooved ring 20x30x6	3.000	ST
15	6.365-378.0	Supportring 20x30x4,2	3.000	ST



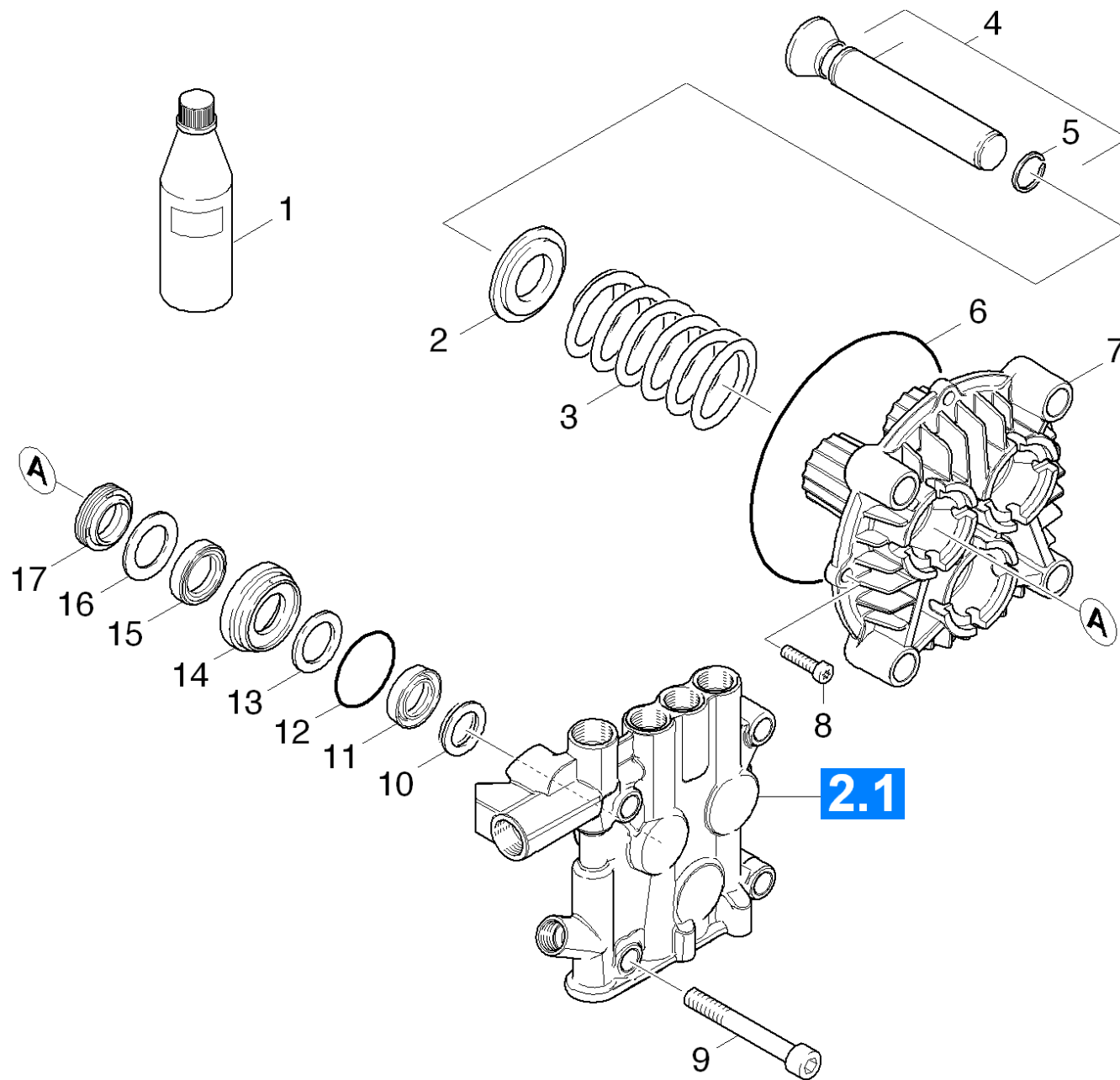
1 Valve (3 Stueck) (2.884-512.0)

POS	Article no.	Description	Quantity	Unit
5	6.363-003.0	O-Ring seal 13,0 X 2,0-NBR 90	1.000	ST



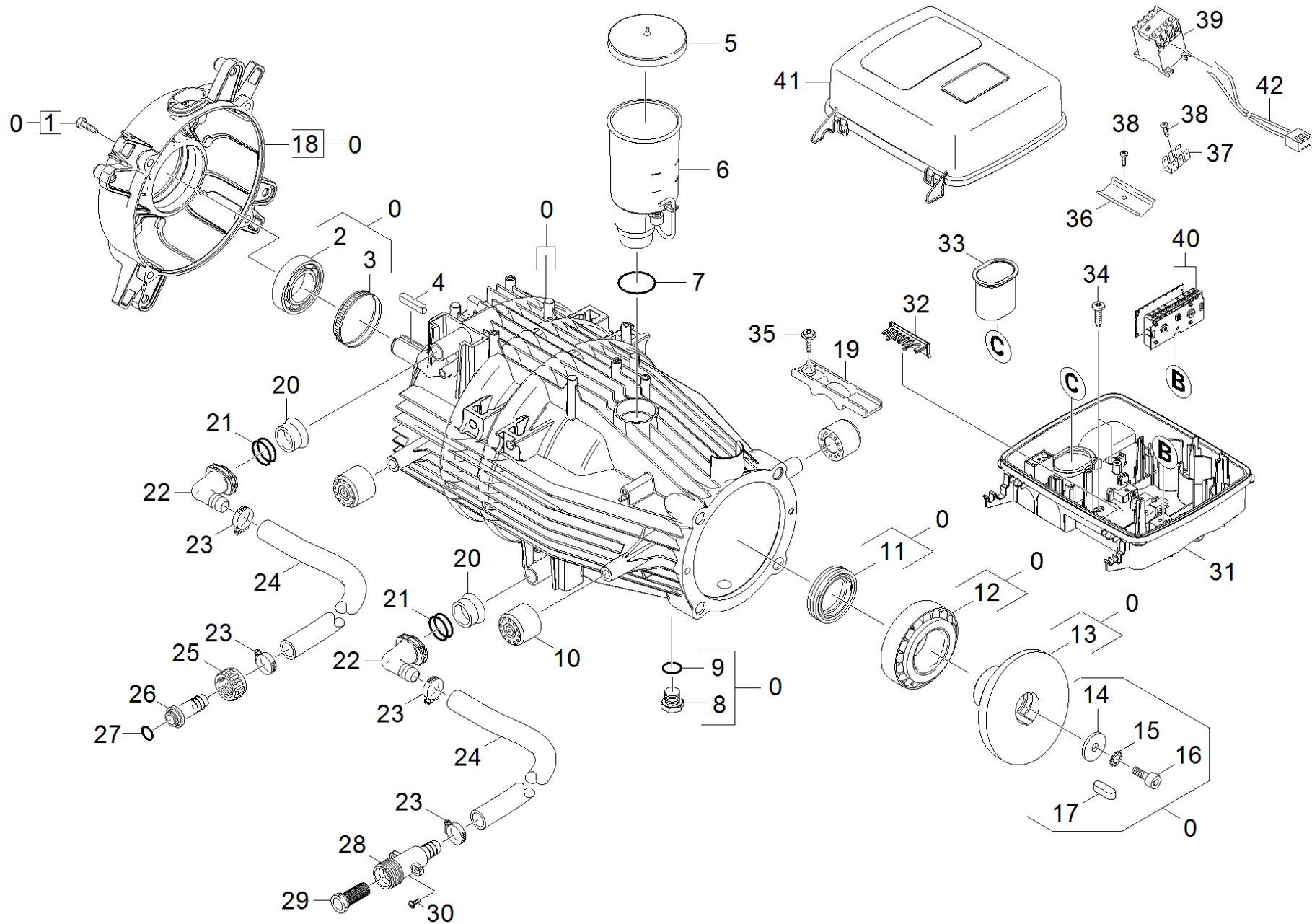
3 Valve complete (4.580-594.0)

POS	Article no.	Description	Quantity	Unit
5	6.362-381.0	O-Ring seal 13x2 - NBR 70	1.000	ST



22 Piston

POS	Article no.	Description	Quantity	Unit
1	6.288-016.0	Gear oil 1L	1.000	ST
2	5.115-991.0	Washer	3.000	ST
3	5.332-187.0	Helical spring	3.000	ST
4	4.553-282.0	Piston complete only for replacement	3.000	ST
5	6.472-331.0	Snap ring 20	3.000	ST
6	6.363-228.0	O-Ring seal 114 x 3	1.000	ST
7	5.060-936.3	Thrust guidance D 20	1.000	ST
8	7.306-105.0	Screw M6x30 -8.8-R3R (In6Rd)	2.000	ST
9	7.306-155.0	Cylinder head screw M12x100 -8.8-A3E IS	4.000	ST
10	6.365-378.0	Supportring 20x30x4,2	3.000	ST
11	6.365-377.0	Grooved ring 20x30x6	3.000	ST
12	6.362-092.0	O-Ring seal 36,0 X 2,0-NBR 70	3.000	ST
13	5.115-538.0	Washer	3.000	ST
14	5.112-832.0	Bush	3.000	ST
15	6.365-053.0	Compact seal 20X30X6	3.000	ST
16	5.115-537.0	Washer	3.000	ST
17	6.365-052.0	Grooved ring 20X28X6/8	3.000	ST

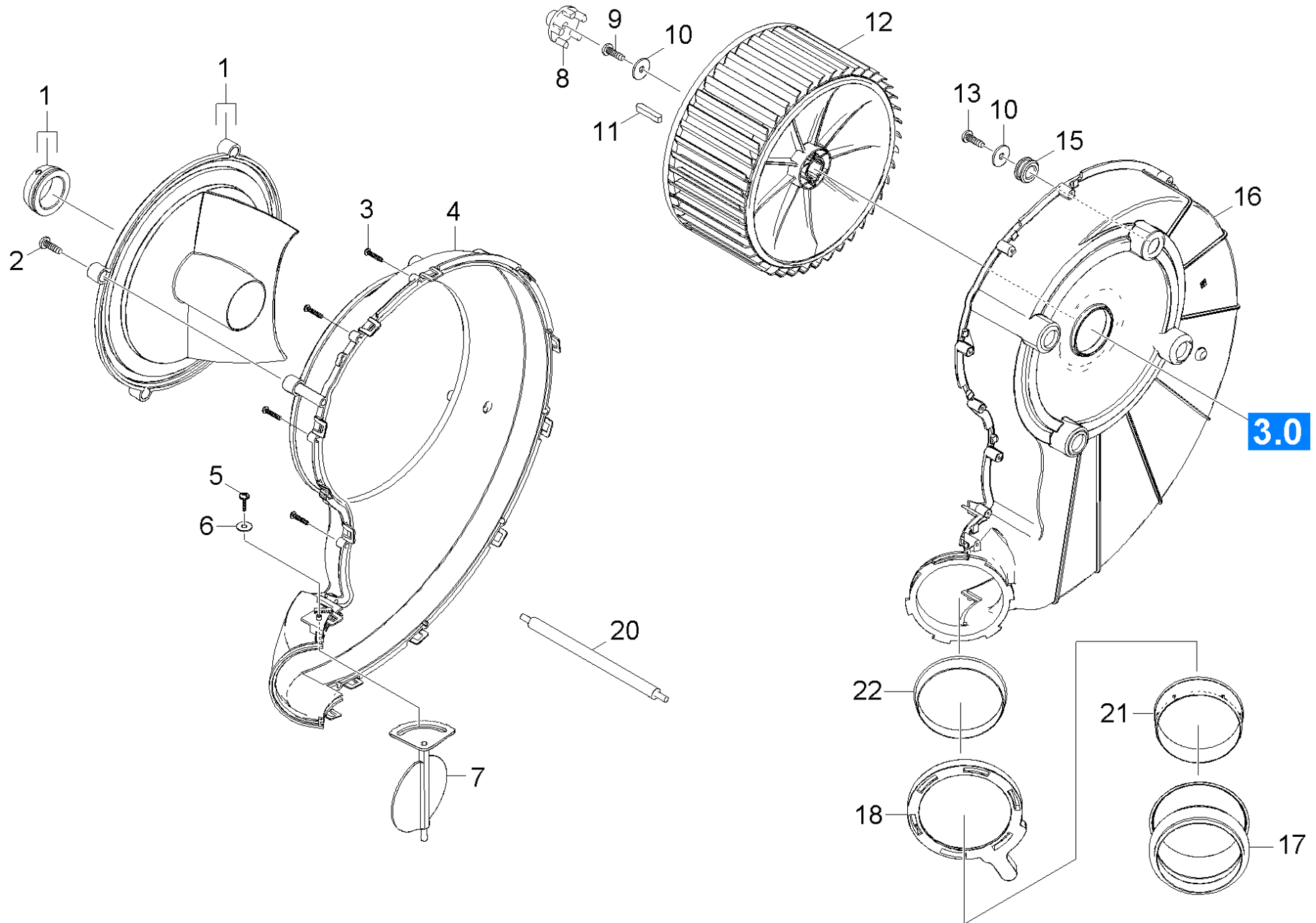


30 Motor

POS	Article no.	Description	Quantity	Unit	Foot note text
0	4.623-923.0	Motor complete only for replacement	1.000	ST	
1	6.303-515.0	Self-tapping screw M6x25	4.000	ST	
2	6.401-253.0	Ball bearing 6305-2Z	1.000	ST	
3	6.343-010.0	Tolerance ring 62x10	1.000	ST	
4	7.318-111.0	Parallel key A 6x6x36 -C45R DIN 6885-1	2.000	ST	
5	5.064-459.0	Cover grey	1.000	ST	
6	4.070-904.0	Tank only for replacement	1.000	ST	
7	6.362-722.0	O-Ring seal 28,0 X 3,0	1.000	ST	
8	5.411-100.0	Screw plug	1.000	ST	
9	6.362-028.0	O-Ring seal 11x2,2 NBR 70	1.000	ST	
10	5.767-005.0	Rubber buffer	4.000	ST	
11	7.367-009.0	Radial shaft seal ring A35x52x7-NBR DIN	1.000	ST	
12	6.401-225.3	Taper roller bearing 41	1.000	ST	
13	5.120-402.0	Wobble plate	1.000	ST	
14	5.115-565.0	Washer	1.000	ST	
15	7.312-159.0	Toothed lock washer A8,4-FST-PH DIN 679	1.000	ST	
16	7.306-041.0	Cylinder head screw M8x20 -8.8-A2E ISO	1.000	ST	
17	7.318-035.0	Parallel key 8x7x25 -C45R DIN 6885-1	1.000	ST	
18	5.061-186.0	Bearing cover B	1.000	ST	
19	5.802-288.0	Mounting part	1.000	ST	
20	5.110-341.0	Sleeve	2.000	ST	
21	6.362-579.0	O-Ring seal 17,5 X 3,5	4.000	ST	
22	5.427-415.0	Manifold	2.000	ST	
23	7.373-022.0	Hose clip A-16-27x9 -W2-2 DIN3017	4.000	ST	
24	6.390-320.0	Hose DN 16	1.000	M	TO ORDER AS CUT GOODS
25	5.310-061.0	Nut R 3/4"	1.000	ST	
26	5.443-224.0	Hose stem	1.000	ZST	
27	6.362-078.0	O-Ring seal 13,3x2,4	1.000	ST	
28	5.427-432.0	Manifold	1.000	ST	
29	6.414-141.0	Strainer	1.000	ST	
30	7.303-086.0	Screw 5x30 -10.9-R2R (K-In6Rd)	2.000	ST	
31	5.061-319.0	Housing electric box	1.000	ST	
32	5.263-086.0	Tensioning part	1.000	ST	

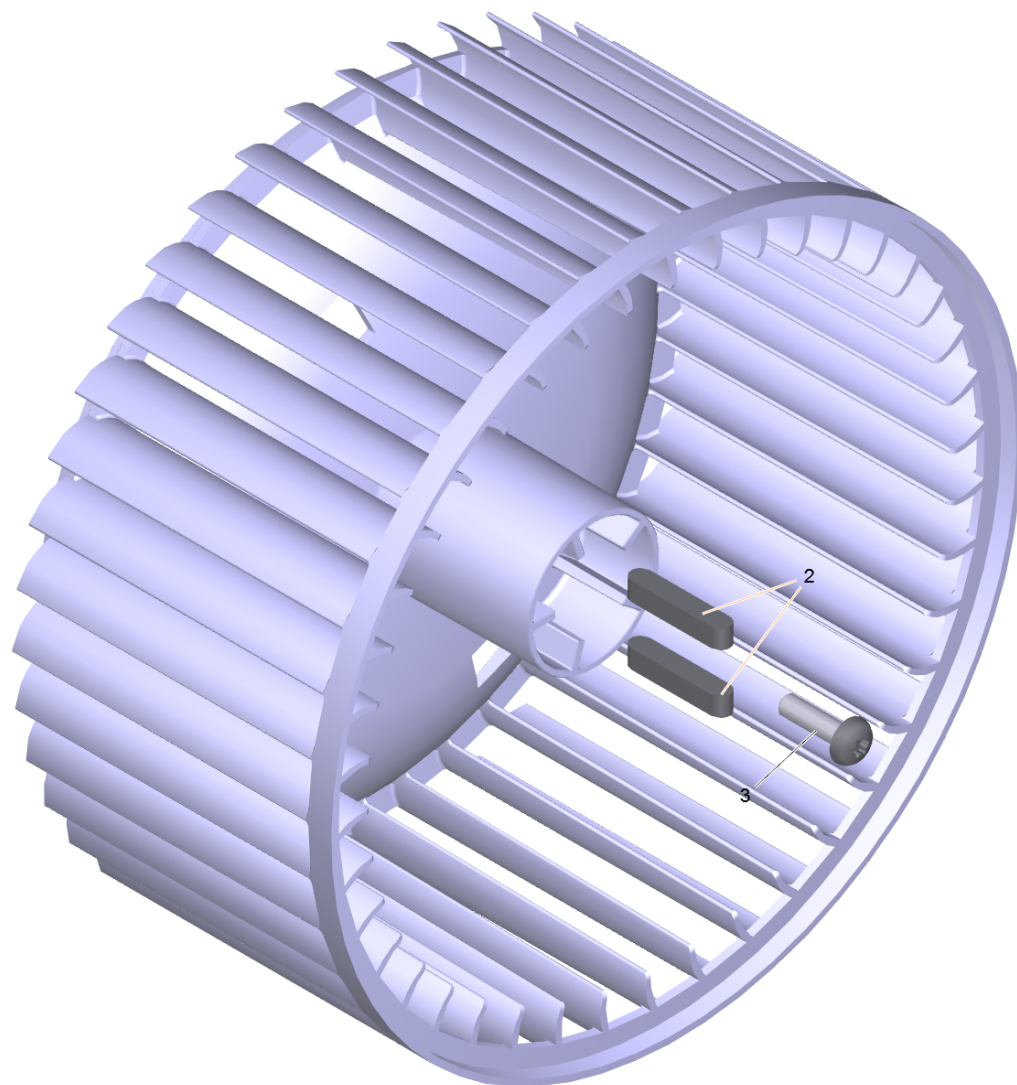
30 Motor

POS	Article no.	Description	Quantity	Unit	Foot note text
33	5.365-302.0	Profile gasket	1.000	ST	
34	6.303-153.0	Screw M5x15-ST-R2R (IN6RD)	3.000	ST	
35	7.303-086.0	Screw 5x30 -10.9-R2R (K-In6Rd)	8.000	ST	
36	5.802-261.0	Mounting part	1.000	ST	
37	6.641-270.0	Plug	1.000	ST	
38	7.303-106.0	Screw 4x12 -10.9-R2R (IN6RD)	2.000	ST	
39	6.632-356.0	Contacteur LC1-D18 B7	1.000	ST	
40	2.885-054.0	Frame circuit board complete	1.000	ST	
41	5.064-226.0	Cover electric box	1.000	ST	
42	6.649-384.0	Cable 2x0,35 350mm	1.000	ST	



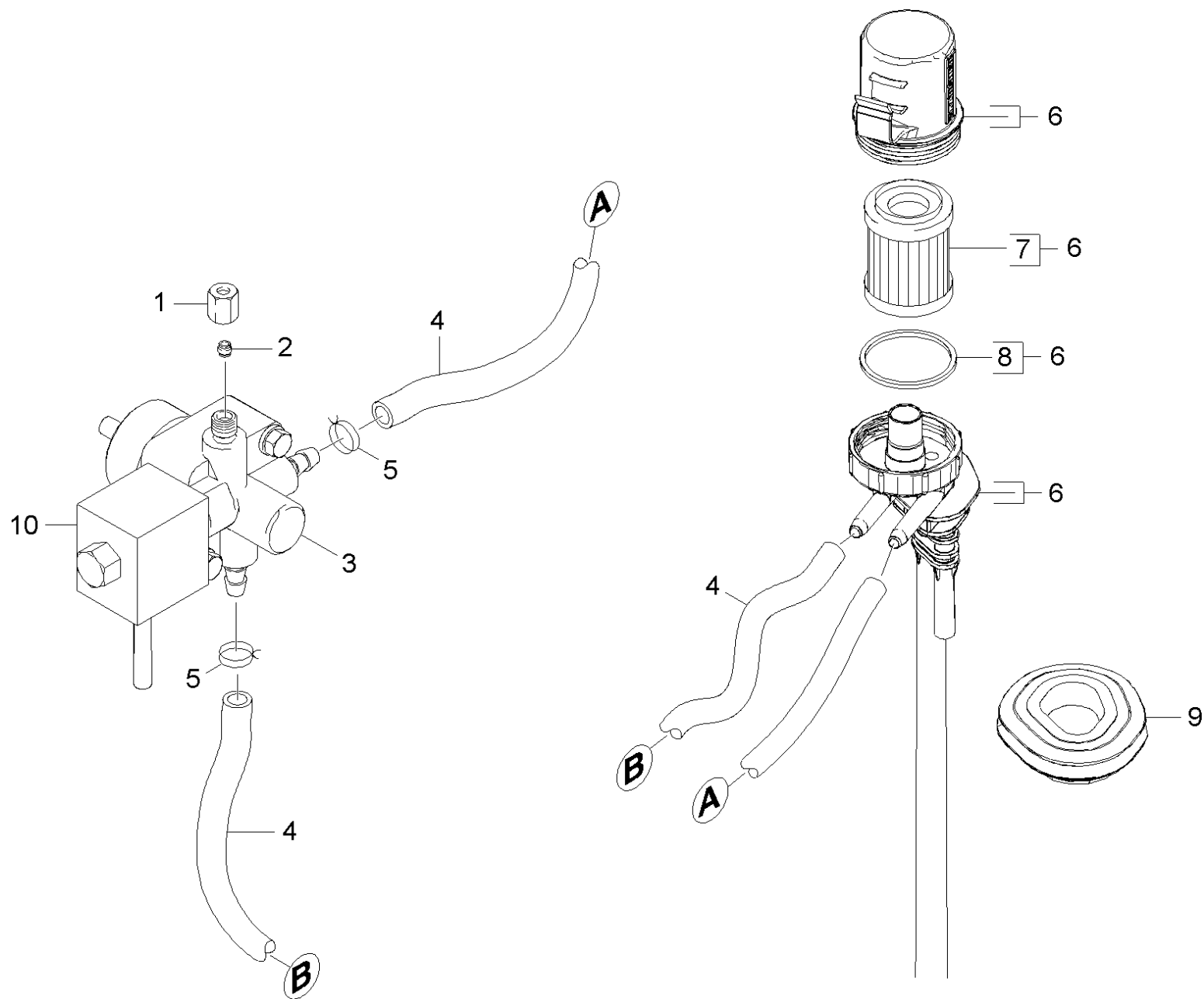
40 Blower

POS	Article no.	Description	Quantity	Unit
1	5.064-266.0	Cover blower internal part	1.000	ST
2	7.303-129.0	Screw 4x16 -10.9-R2R (K-In6Rd)	4.000	ST
3	7.303-084.0	Screw 4x25 -10.9-R2R (K-In6Rd)	14.000	ST
4	5.064-238.0	Cover blower	1.000	ST
5	7.303-107.0	Screw 5x16 -10.9-P2R (K-In6Rd)	1.000	ST
6	7.312-278.0	Washer 5-200HV-A2E ISO7093-1	1.000	ST
7	5.606-009.0	Air flap	1.000	ST
8	5.471-097.0	Coupler fuel pump	1.000	ST
9	6.304-145.0	Screw M 6X20-R3R (IN6RD)	1.000	ST
10	7.312-260.0	Washer 6 -100HV-A3E ISO 7094	5.000	ST
11	7.318-032.0	Parallel key 6x6x32-C45R DIN 6885	2.000	ST
12	2.641-430.0	Conversion kit blower wheel	1.000	ST
13	7.303-048.0	Screw M6x20 -St-R3R (In6Rd)	4.000	ST
15	5.379-019.0	Rubber ring	4.000	ST
16	5.605-307.0	Housing	1.000	ST
17	5.195-252.0	Seal air circulation	1.000	ST
18	5.075-036.0	Closure	1.000	ST
20	5.043-056.0	Holder	1.000	ST
21	5.263-094.0	Tensioning part air circulation	1.000	ST
22	5.263-096.0	Tensioning part air circulation	1.000	ST



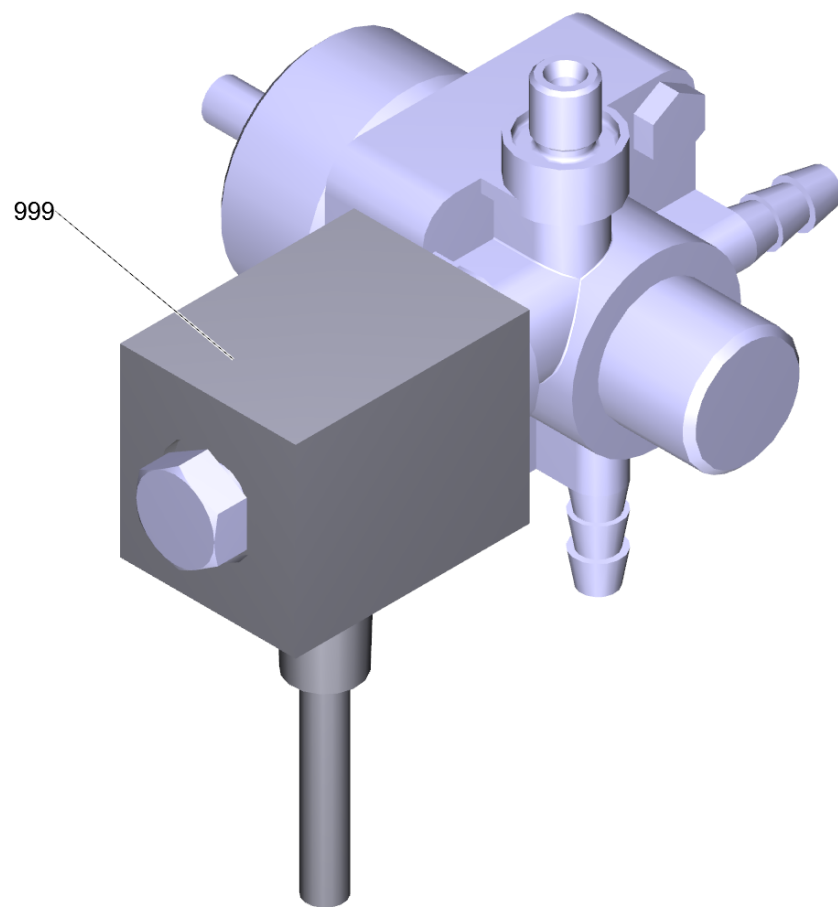
12 Conversion kit blower wheel (2.641-430.0)

POS	Article no.	Description	Quantity	Unit
2	7.318-111.0	Parallel key A 6x6x36 -C45R DIN 6885-1	2.000	ST
3	6.304-145.0	Screw M 6X20-R3R (IN6RD)	1.000	ST



50 Fuel pump and filter

POS	Article no.	Description	Quantity	Unit	Foot note text
1	6.389-262.0	Union nut A 4-LL	1.000	ST	
2	6.389-263.0	Cutting ring d.4	1.000	ST	
3	4.473-032.0	Fuel pump only for replacement	1.000	ST	
4	6.391-820.0	Hose	1.000	M	TO ORDER AS CUT GOODS
5	6.388-559.0	Hose clip	2.000	ST	
6	4.730-167.3	Filter complete	1.000	ST	
7	6.414-559.0	Filter fuel	1.000	ST	
8	5.363-629.0	Seal	1.000	ST	
9	5.365-290.0	Rubber bushing fuel	1.000	ST	
10	6.473-554.0	Coil Brennstoffpumpe	1.000	ST	

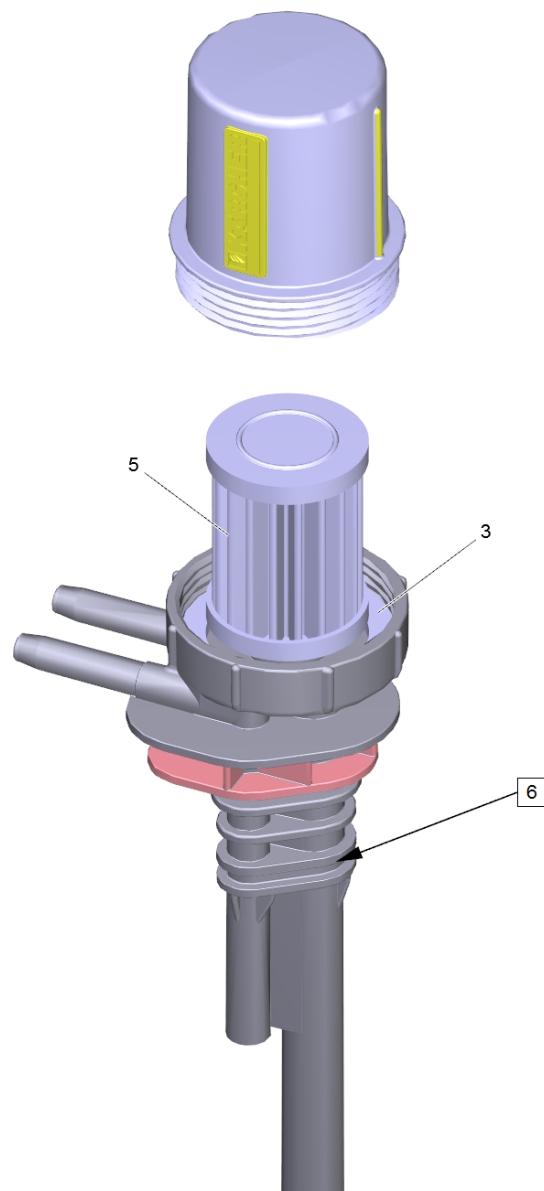


3 Fuel pump only for replacement (4.473-032.0)

POS	Article no.	Description	Quantity	Unit
999	6.473-554.0	Coil Brennstoffpumpe	1.000	ST

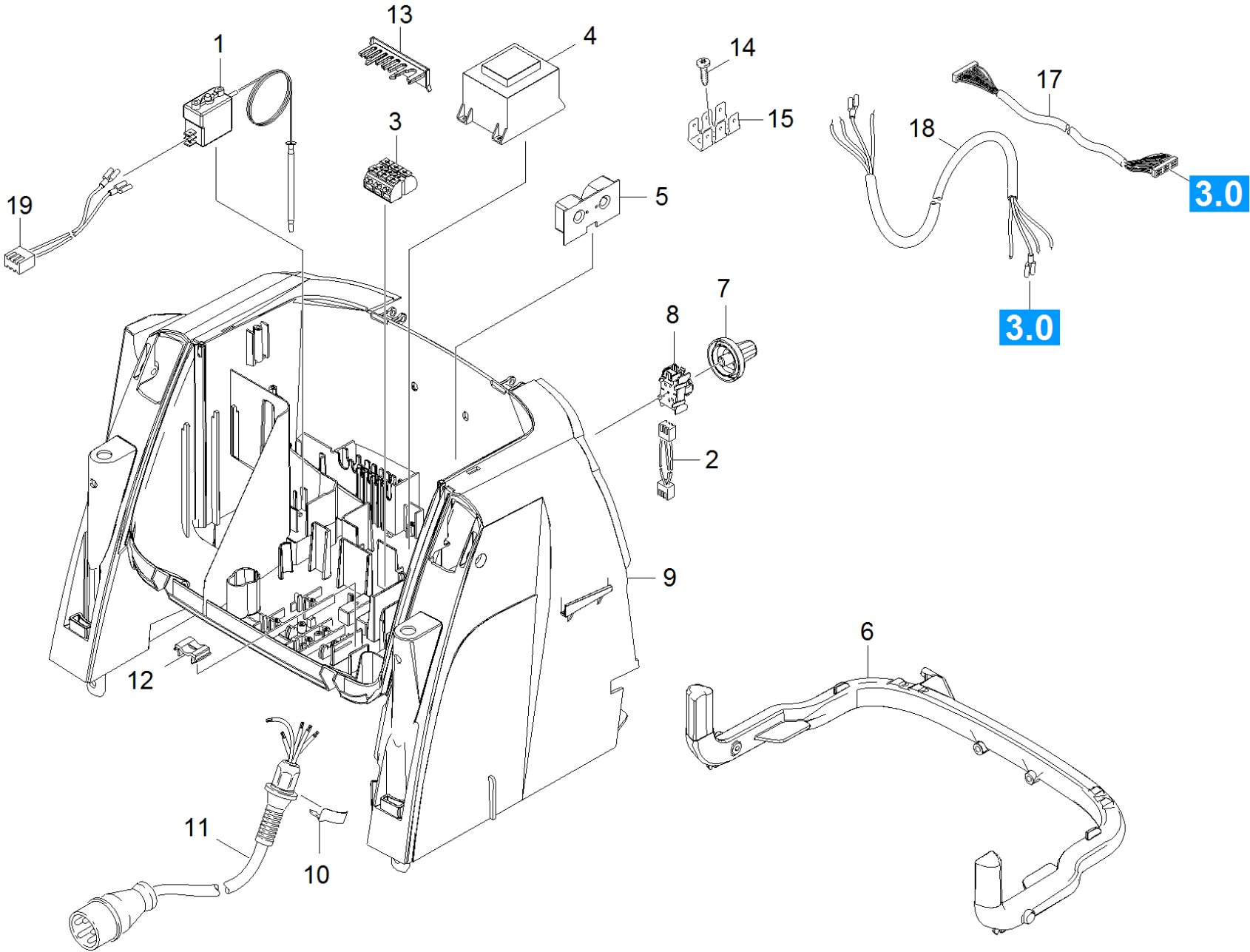
6 Filter complete (4.730-167.3)

POS	Article no.	Description	Quantity	Unit
1	4.730-167.0	Filter complete	1.000	ST



1 Filter complete (4.730-167.0)

POS	Article no.	Description	Quantity	Unit
3	5.363-629.0	Seal	1.000	ST
5	6.414-559.0	Filter fuel	1.000	ST
6	6.362-079.0	O-Ring seal 18,0 X 2,5	1.000	ST

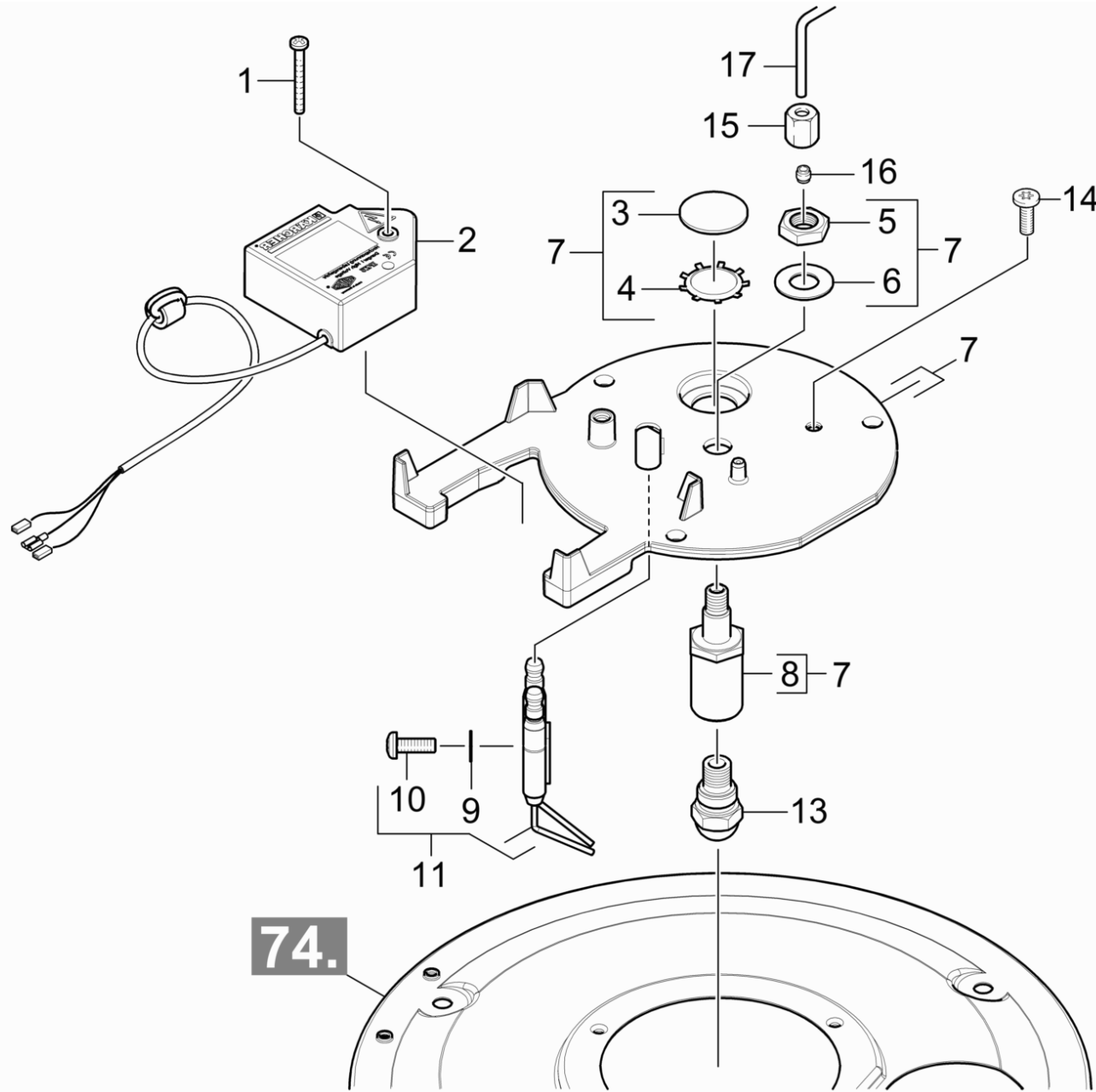


60 Electric control box

POS	Article no.	Description	Quantity	Unit
1	4.686-029.0	Thermostat only for replacement	1.000	ST
2	5.820-088.0	Cable	1.000	ST
3	6.644-364.0	Terminal clamp four-core triple-pole	1.000	ST
4	6.622-283.3	Control transformer	1.000	ST
5	6.682-881.0	Circuit board current transformer	1.000	ST
6	5.033-111.0	Profile	1.000	ST
7	5.324-172.0	Handle qusty grey RAL 7037	1.000	ST
8	6.630-423.0	Switch service	1.000	ST
9	5.801-153.0	Mounting plate	1.000	ST
10	6.343-186.0	Locking ring	1.000	ST
11	6.649-379.3	Cable with plug 4x1,5mm ²	1.000	ST
12	5.802-307.0	Holder cable	1.000	ST
13	5.263-086.0	Tensioning part	1.000	ST
14	7.303-106.0	Screw 4x12 -10.9-R2R (IN6RD)	1.000	ST
15	6.641-270.0	Plug	1.000	ST
17	2.885-110.0	Control cable complete only for replacem	1.000	ST
18	6.649-340.0	Cable 4x1,5	1.000	ST
19	6.649-383.0	Cable 2x0,35 700mm	1.000	ST

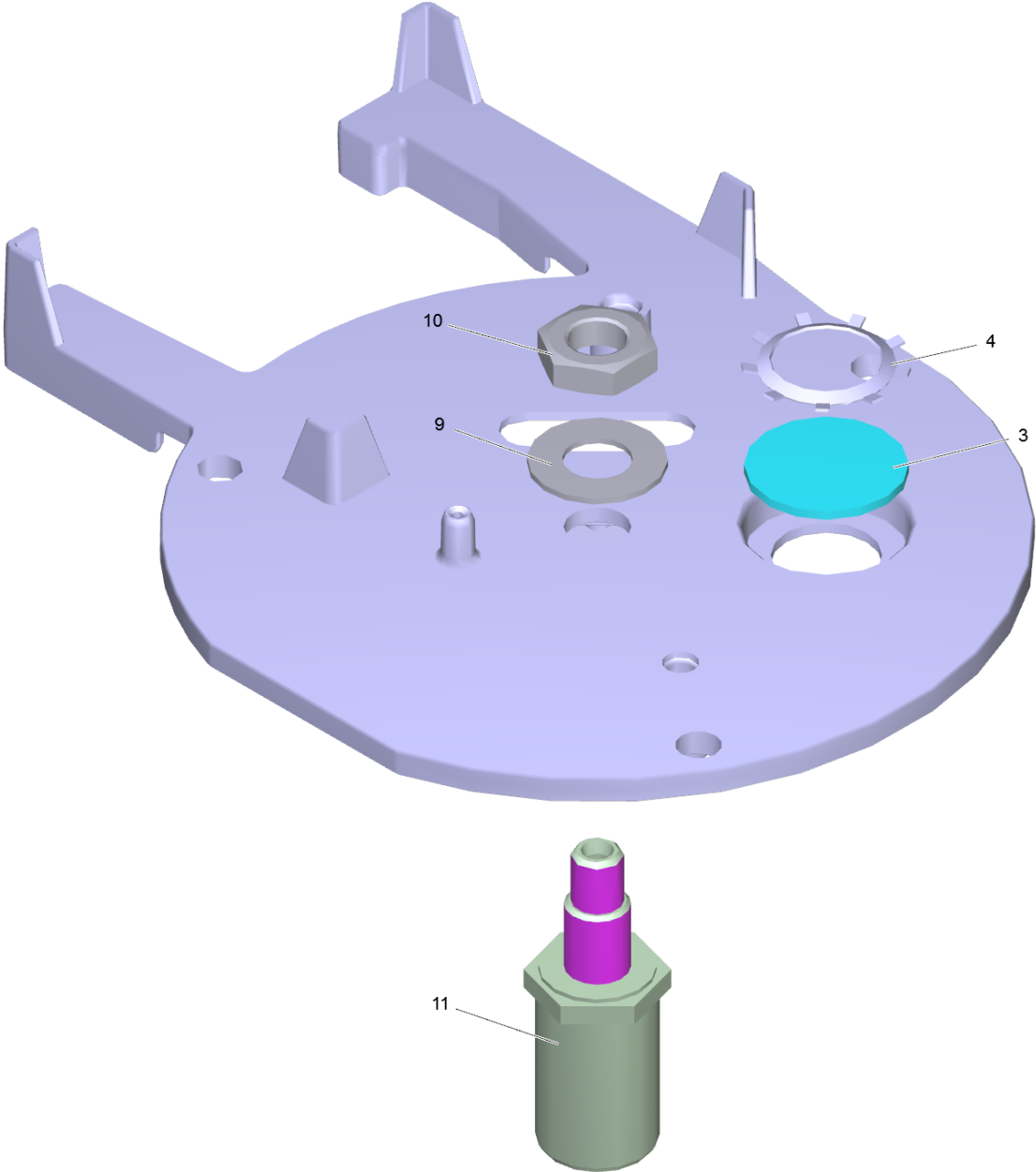
70 Flow heater

POS	Description	Quantity	Unit
72	Burner cover	1.000	ST
74	Heating coil	1.000	ST
75	Burner bottom	1.000	ST



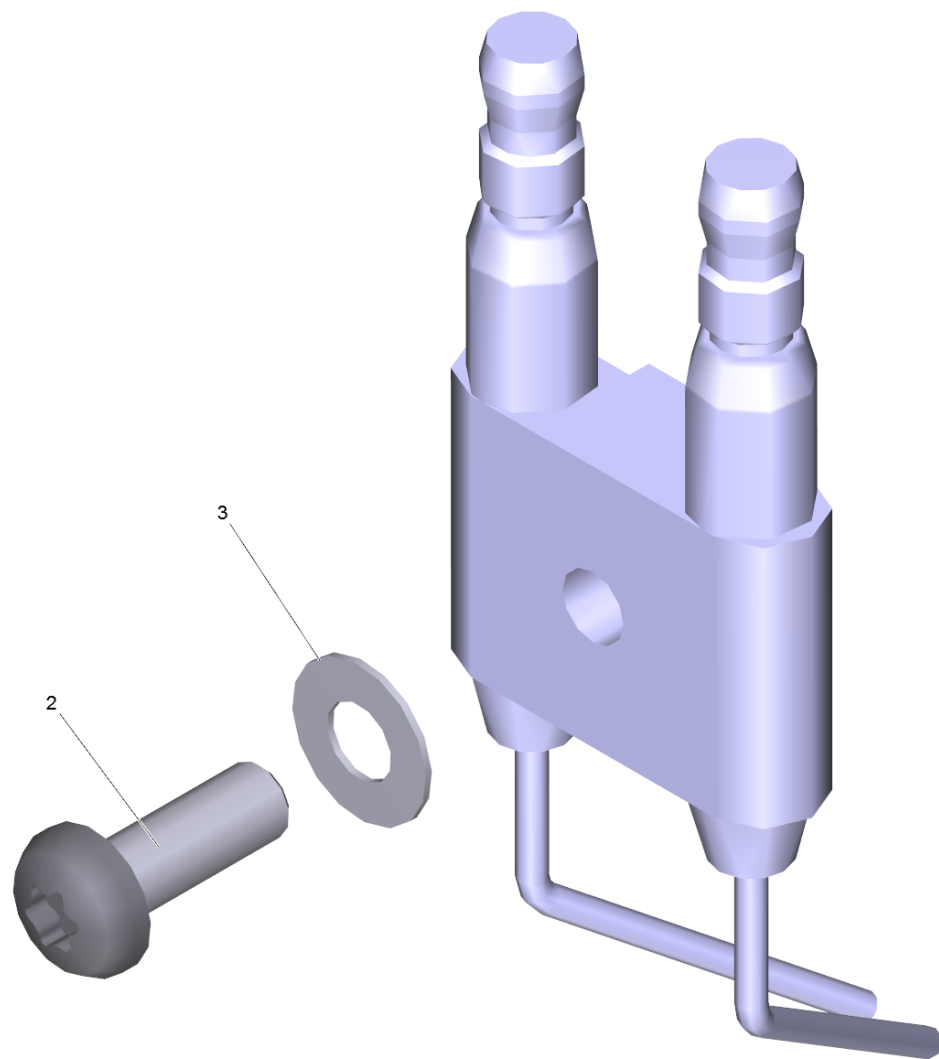
72 Burner cover

POS	Article no.	Description	Quantity	Unit	Foot note text
1	7.303-240.0	Screw M5x40-ST-A2E (IN6RD)	1.000	ST	
2	4.622-038.0	Ignition transformer only for replacemen	1.000	ST	
3	6.278-018.0	Glass pane	1.000	ST	
4	6.343-165.0	Serrated ring	1.000	ST	
5	7.311-101.0	Hexagon nut M10x1 -04-A2E ISO 8675	1.000	ST	
6	7.312-302.0	Spring washer B10-FST-A2E DIN 137	1.000	ST	
7	4.654-288.0	Cover pressure boiler only for replaceme	1.000	ST	
8	5.667-055.0	Nozzle holder	1.000	ST	
9	7.312-304.0	Spring washer B 5-FST-A2E DIN 137	1.000	ST	
10	7.306-217.0	Screw M5x14 -8.8-R2R (In6Rd)	1.000	ST	
11	2.638-974.0	Conversion kit ignition electrode	1.000	ST	
13	6.415-641.0	Nozzle	1.000	ST	
14	7.303-038.0	Screw M5x12 -St-P2R (In6Rd)	3.000	ST	
15	6.389-262.0	Union nut A 4-LL	1.000	ST	
16	6.389-263.0	Cutting ring d.4	1.000	ST	
17	5.423-008.0	Conduit fuel	1.000	ST	VERSION 2



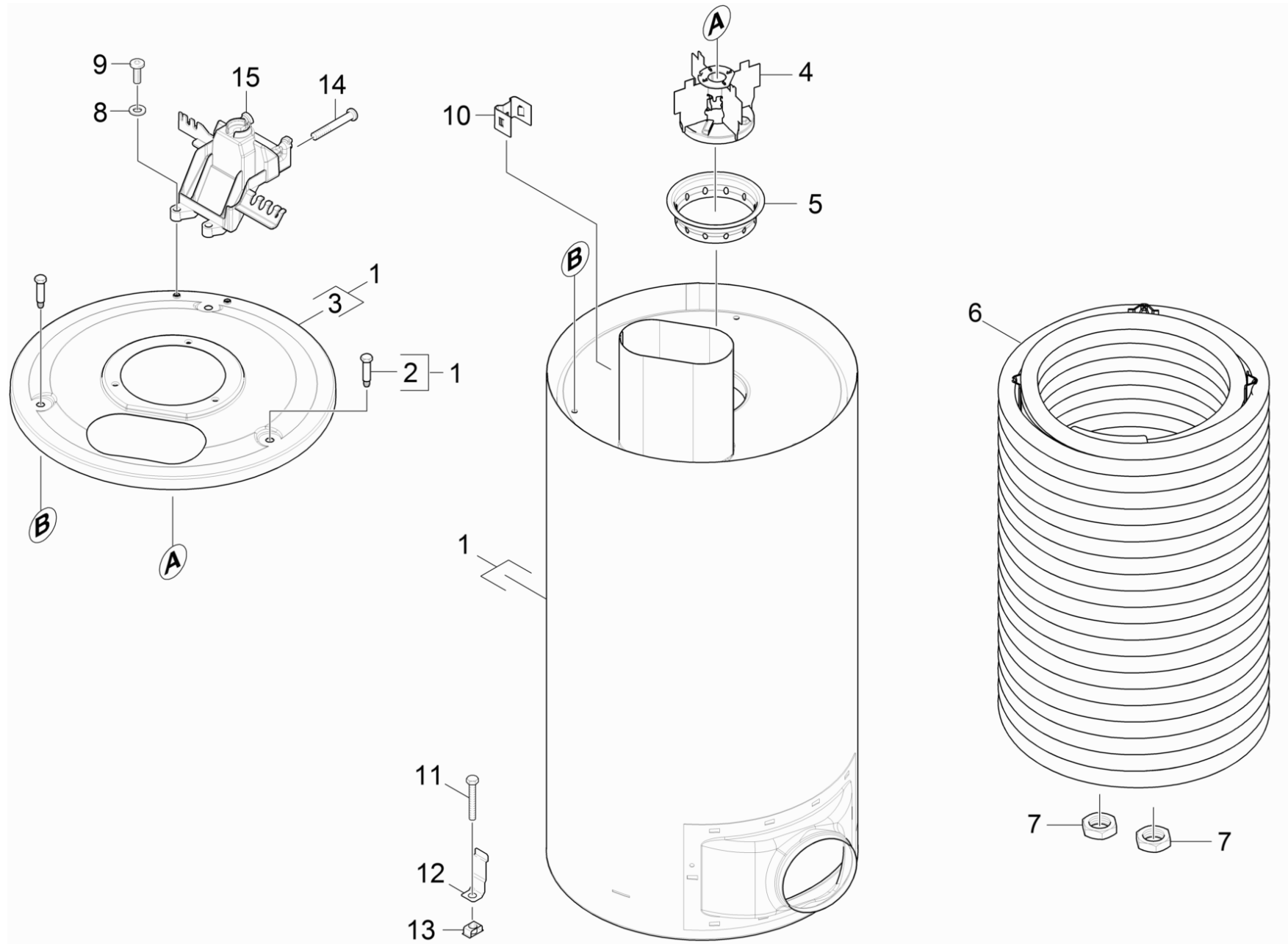
7 Cover pressure boiler only for replaceme (4.654-288.0)

POS	Article no.	Description	Quantity	Unit
3	6.278-018.0	Glass pane	1.000	ST
4	6.343-165.0	Serrated ring	1.000	ST
9	7.312-302.0	Spring washer B10-FST-A2E DIN 137	1.000	ST
10	7.311-101.0	Hexagon nut M10x1 -04-A2E ISO 8675	1.000	ST
11	5.667-055.0	Nozzle holder	1.000	ST



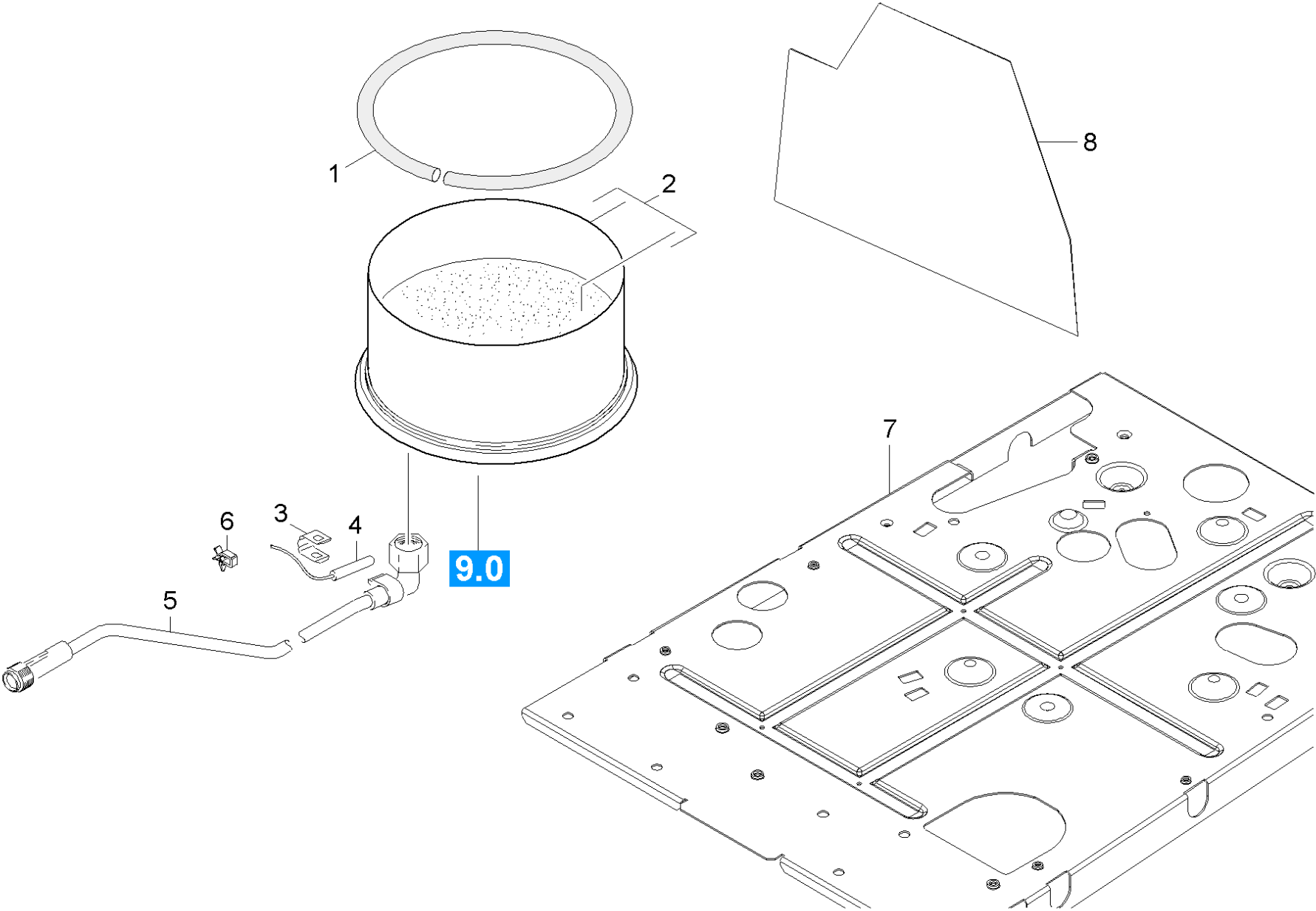
11 Conversion kit ignition electrode (2.638-974.0)

POS	Article no.	Description	Quantity	Unit
2	7.306-217.0	Screw M5x14 -8.8-R2R (In6Rd)	1.000	ST
3	7.312-304.0	Spring washer B 5-FST-A2E DIN 137	1.000	ST



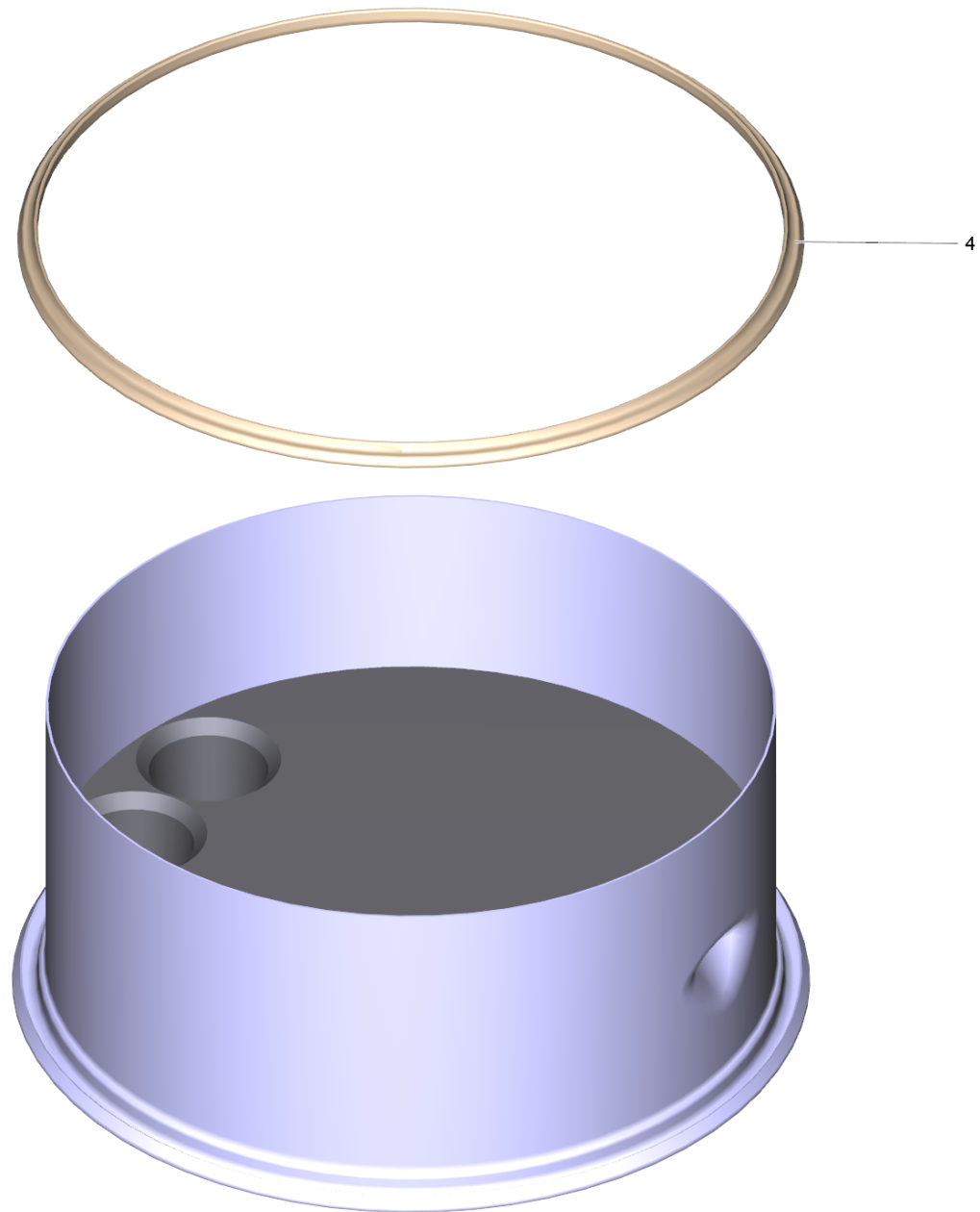
74 Heating coil

POS	Article no.	Description	Quantity	Unit	Foot note text
1	4.652-004.0	Outer covering complete	1.000	ST	VERSION 2
2	6.303-258.0	Self-tapping screw	3.000	ST	
3	5.654-051.0	Cover pressure boiler	1.000	ST	
4	4.663-073.0	Burner cage	1.000	ST	
5	5.664-256.0	Burner part	1.000	ST	
6	4.680-135.0	Heating coil	1.000	ST	
6	4.680-114.0	Heating coil VA	1.000	ST	STAINLESS STEEL CONSTRUCTION
7	7.311-112.0	Hexagon nut M22X1,5 -22H-A2E DIN 936	2.000	ST	
8	7.312-278.0	Washer 5-200HV-A2E ISO7093-1	2.000	ST	
9	6.303-320.0	Screw M 5x 20-St-R2R	2.000	ST	
10	5.034-834.0	Holder probe	1.000	ST	
11	7.304-051.0	Hexagonal head screw M 8x16-8.8-P2R EN	3.000	ST	
12	5.044-420.0	Holder	3.000	ST	
13	6.310-081.0	Cage nut M 8	3.000	ST	
14	7.303-111.0	Screw 5x50 -10.9-R2R (K-In6Rd)	2.000	ST	
15	5.412-001.0	Holder Kessel ovale Heizschlange	1.000	ST	VERSION 2



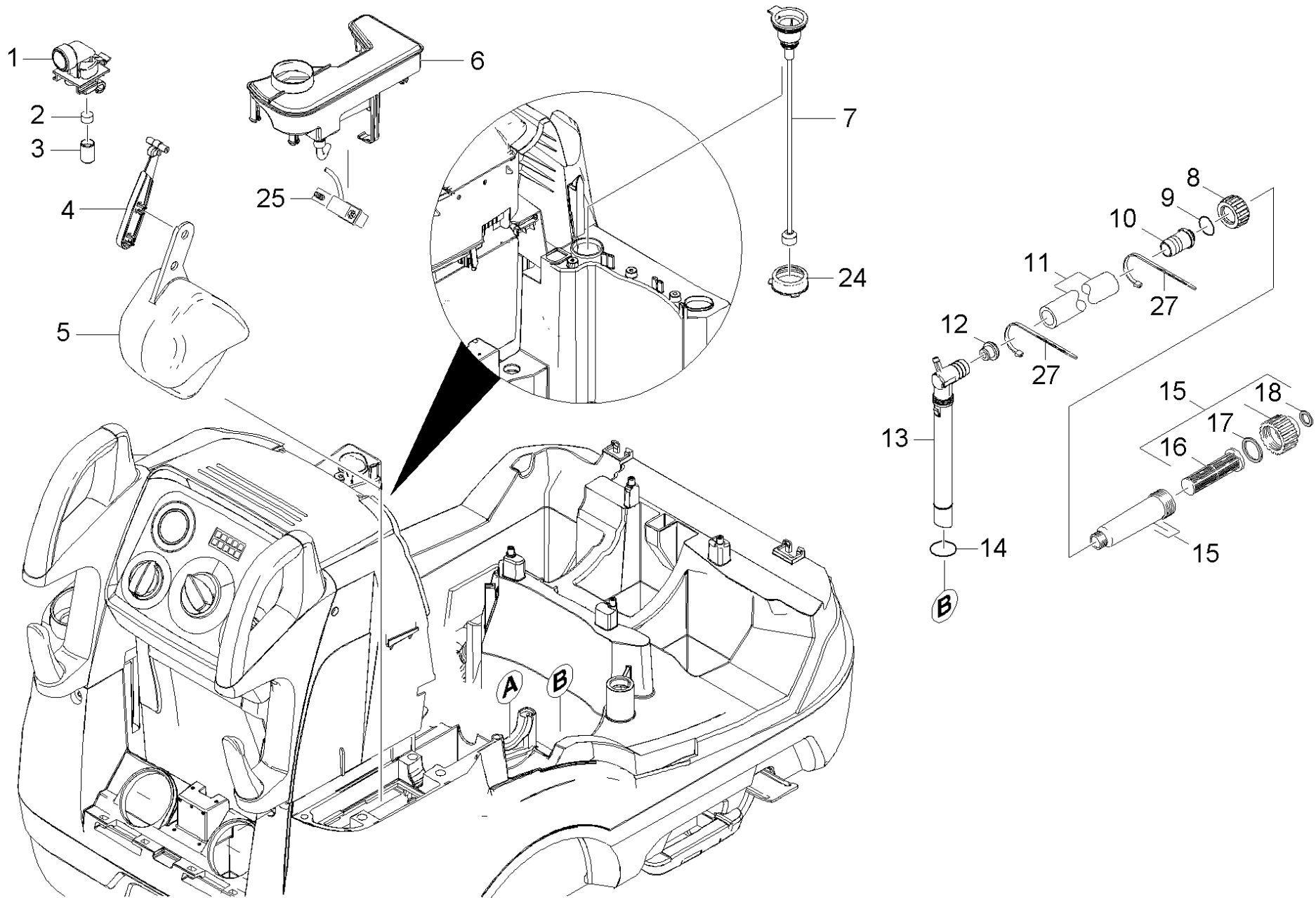
75 Burner bottom

POS	Article no.	Description	Quantity	Unit
1	6.366-009.0	Seal string	1.000	ST
2	4.655-044.0	Bottom pressure boiler	1.000	ST
3	5.263-064.0	Tensioning part	1.000	ST
4	4.686-031.0	Thermostat only for replacement	1.000	ST
5	4.427-011.0	Manifold complete high-pressure outlet	1.000	ST
6	6.970-929.0	Clip	1.000	ST
7	5.051-114.0	Base plate boiler	1.000	ST
8	5.424-142.0	Foil shield	1.000	ST



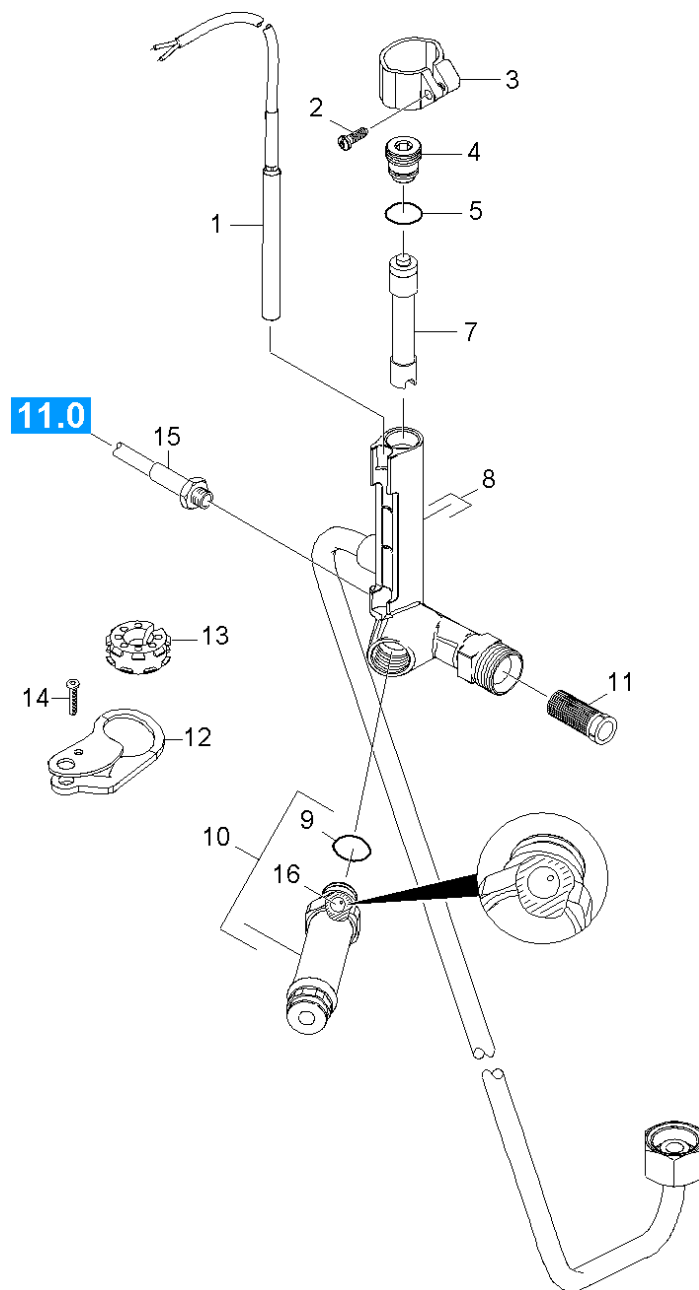
2 Bottom pressure boiler (4.655-044.0)

POS	Article no.	Description	Quantity	Unit
4	6.366-009.0	Seal string	1.000	ST
6	6.869-024.0	Quick-bonding agent	0.004	ZST



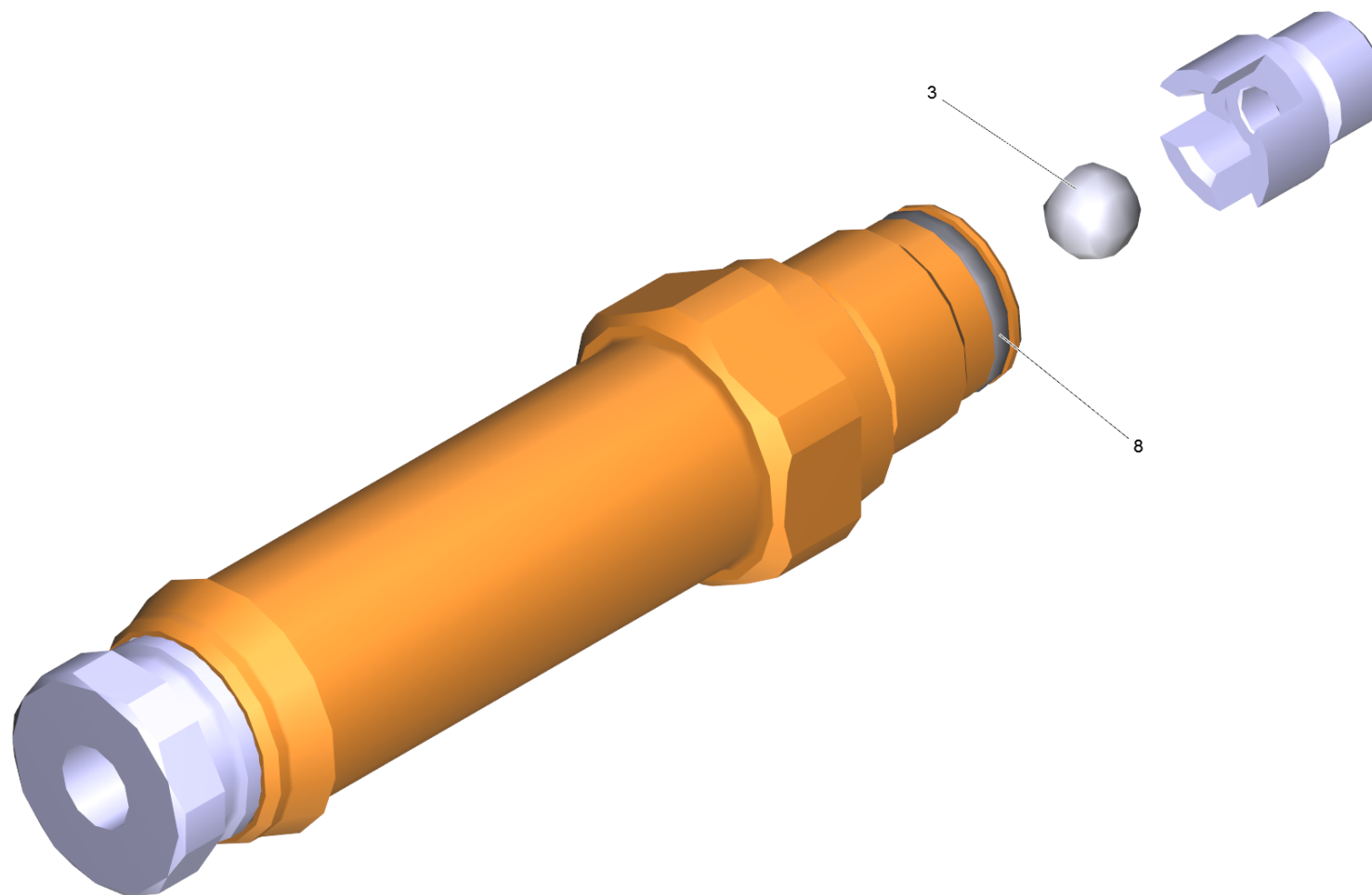
80 Float valve

POS	Article no.	Description	Quantity	Unit
1	5.587-214.0	Valve housing	1.000	ST
2	5.364-095.0	Flat gasket	1.000	ST
3	5.584-085.0	Valve pin	1.000	ST
4	5.481-256.0	Lever	1.000	ST
5	5.585-030.0	Float	1.000	ST
6	4.070-658.3	Tank complete	1.000	ST
7	4.747-097.0	Level probe -nur für Ersatz-	1.000	ST
8	5.310-167.0	Nut G 3/4"	1.000	ST
9	6.362-078.0	O-Ring seal 13,3x2,4	1.000	ST
10	5.443-211.0	Hose stem	1.000	ST
11	6.392-258.0	Piece of tube 19x4x280	1.000	ST
12	5.112-193.0	Bush	1.000	ST
13	5.443-553.0	Connection piece	1.000	ST
14	6.362-161.0	O-Ring seal 19,3 X 2,4	1.000	ST
15	4.730-168.3	Water filter complete	1.000	ST
16	5.731-587.0	Water filter	1.000	ST
17	5.363-336.0	Seal	1.000	ST
18	5.363-545.0	Seal	1.000	ST
19	7.373-022.0	Hose clip A-16-27x9 -W2-2 DIN3017	2.000	ST
24	5.365-289.0	Rubber bushing transmitter feeder	1.000	ST
25	4.686-030.0	Solenoid valve only for replacement	1.000	ST
27	6.641-474.0	Cable tape 8-210	2.000	ST



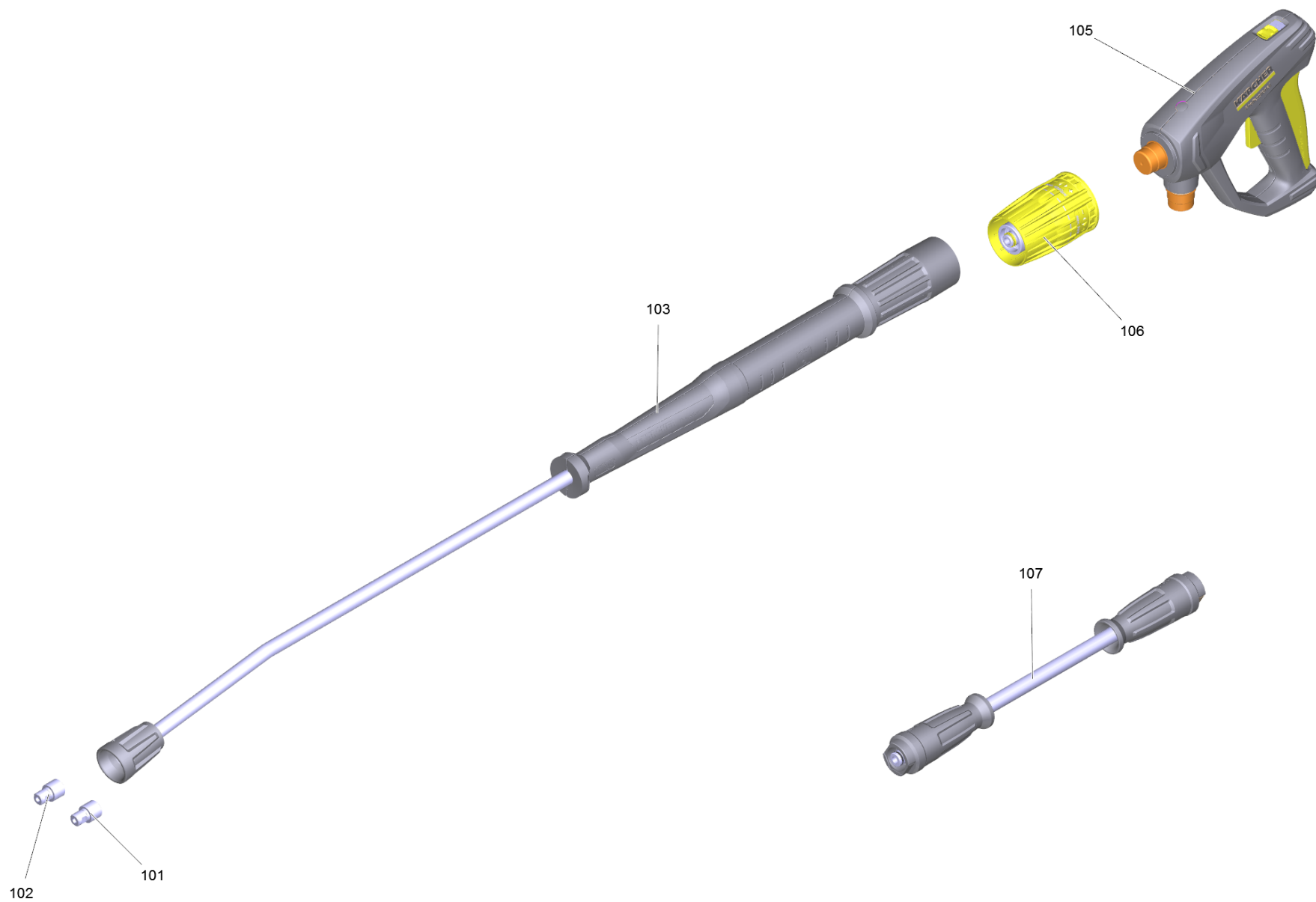
90 Safety system

POS	Article no.	Description	Quantity	Unit
1	2.885-051.0	Reed switch replacement	1.000	ST
2	6.303-122.0	M4 .2X13 DIN 7981 TORX T15 PAN HD HI/LO	1.000	ST
3	5.041-076.0	Clamp	1.000	ST
4	5.305-162.0	Shaped screw	1.000	ST
5	6.362-482.0	O-Ring seal 10 x 1,5-NBR 70	1.000	ST
7	4.551-058.0	Cartridge protection against water short	1.000	ST
8	4.427-341.0	Manifold	1.000	ST
9	6.362-845.0	O-Ring seal 10,82x 1,78	1.000	ST
10	4.580-709.0	Safety valve complete replacement	1.000	ST
11	6.414-566.0	Strainer WMS	1.000	ST
12	5.378-150.0	Holder pipe	1.000	ST
13	5.767-023.0	Rubber buffer	1.000	ST
14	7.303-108.0	Screw 5x20 -10.9-R2R (In6Rd)	1.000	ST
15	6.389-811.0	High pressure hose	1.000	ST
16	6.401-429.0	Sphere polyamide 8mm	1.000	ST



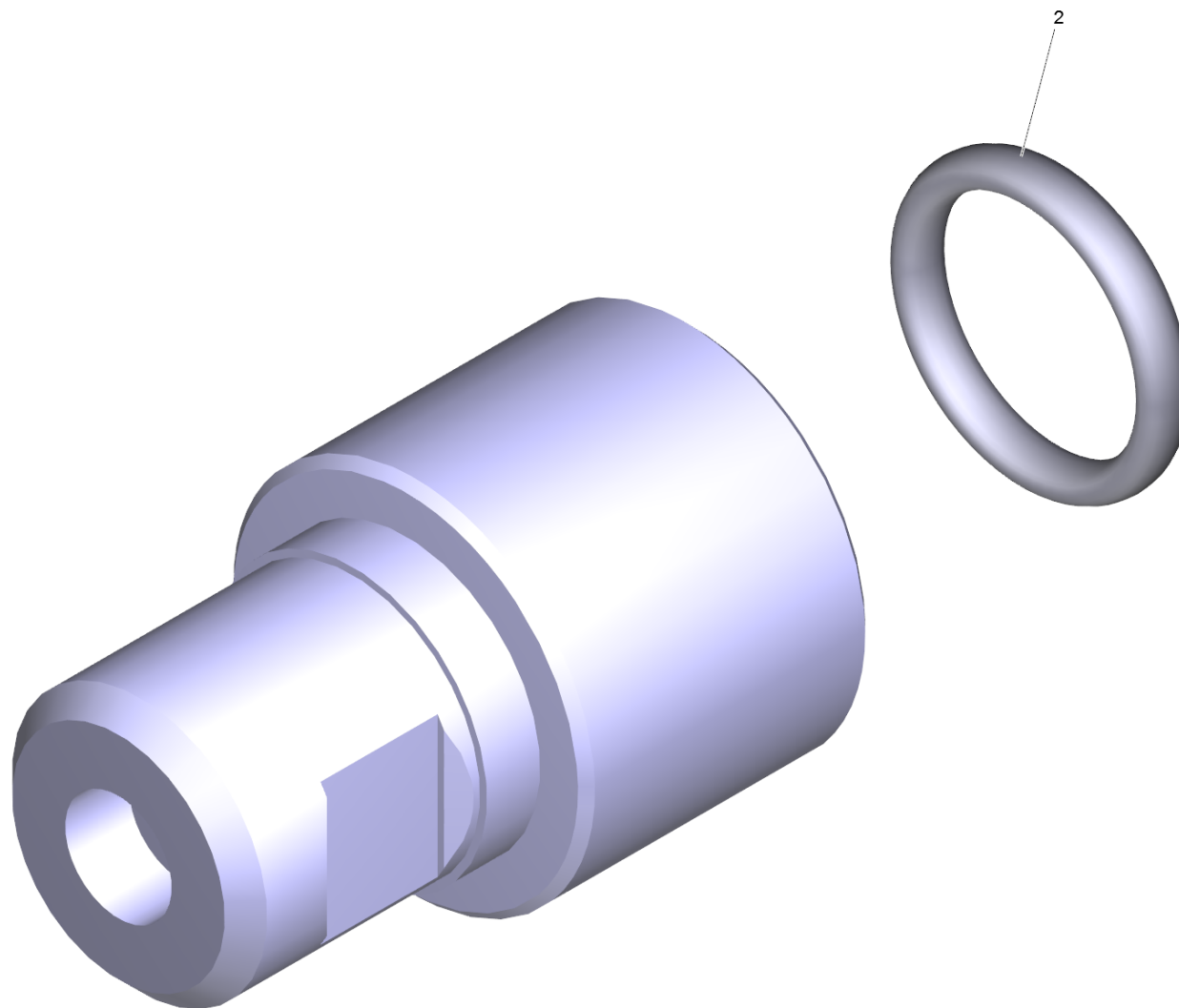
10 Safety valve complete replacement (4.580-709.0)

POS	Article no.	Description	Quantity	Unit
3	6.401-429.0	Sphere polyamide 8mm	1.000	ST
8	6.362-845.0	O-Ring seal 10,82x 1,78	1.000	ST



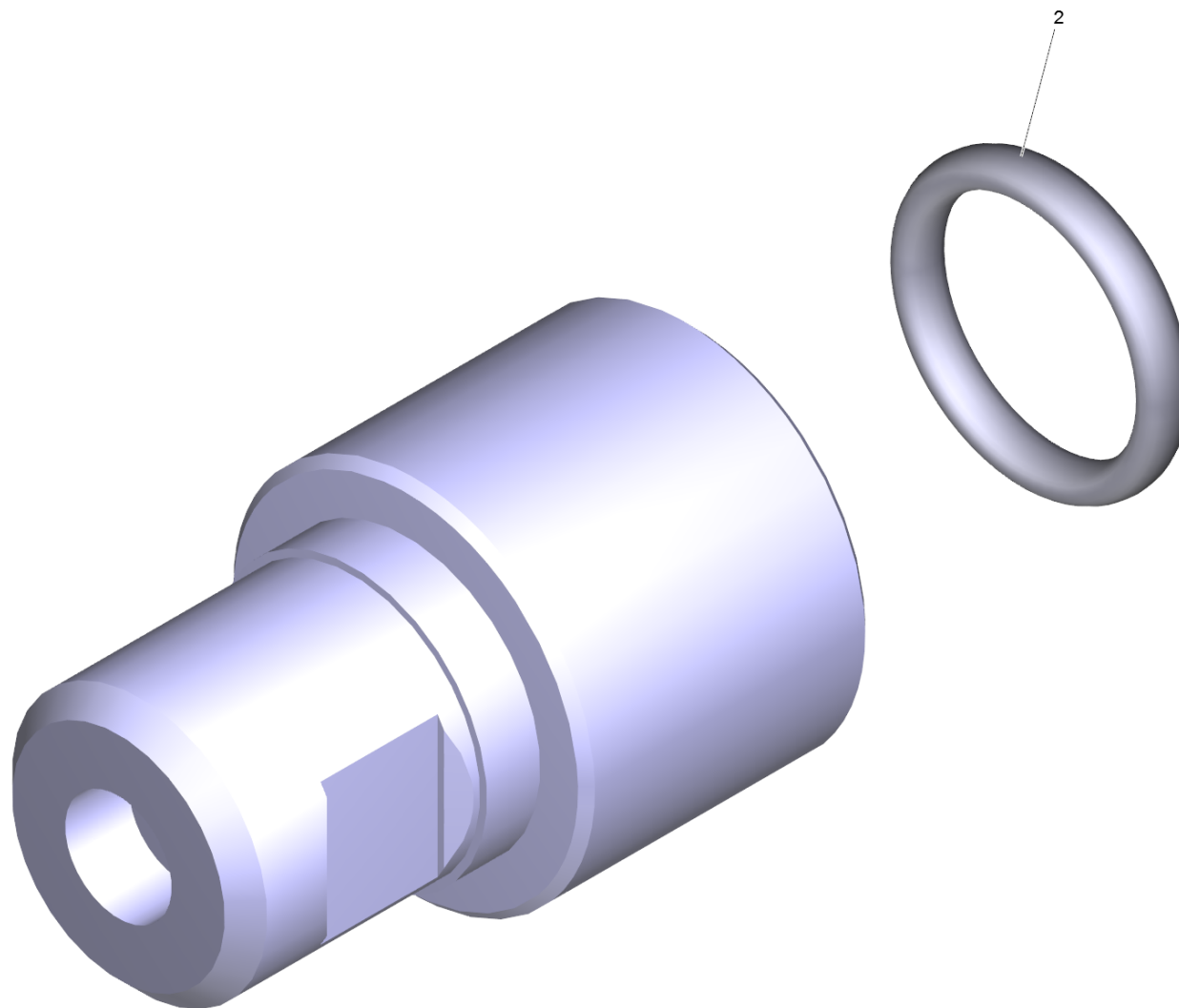
100 Accessories

POS	Article no.	Description	Quantity	Unit
101	2.113-011.0	Power nozzle TR 25054	1.000	ST
102	2.114-006.0	Steam nozzle TR 40070	1.000	ST
103	4.112-000.0	Jet pipe TR 1050 mm	1.000	ST
105	4.118-005.0	EASY!Force Advanced	1.000	ST
106	4.118-008.0	Rotary controller TR 416L	1.000	ST
107	6.110-038.0	Hose assembly TR DN8 40MPa 10m	1.000	ST
	Item text1: 1.071-900.0/-901.0/-902.0			
107	6.110-027.0	Hose assembly TR rotatable DN8 40MPa 20m	1.000	ST
	Item text1: 1.071-903.0			



101 Power nozzle TR 25054 (2.113-011.0)

POS	Article no.	Description	Quantity	Unit
2	2.880-001.0	Spare part set seals TR	1.000	ST

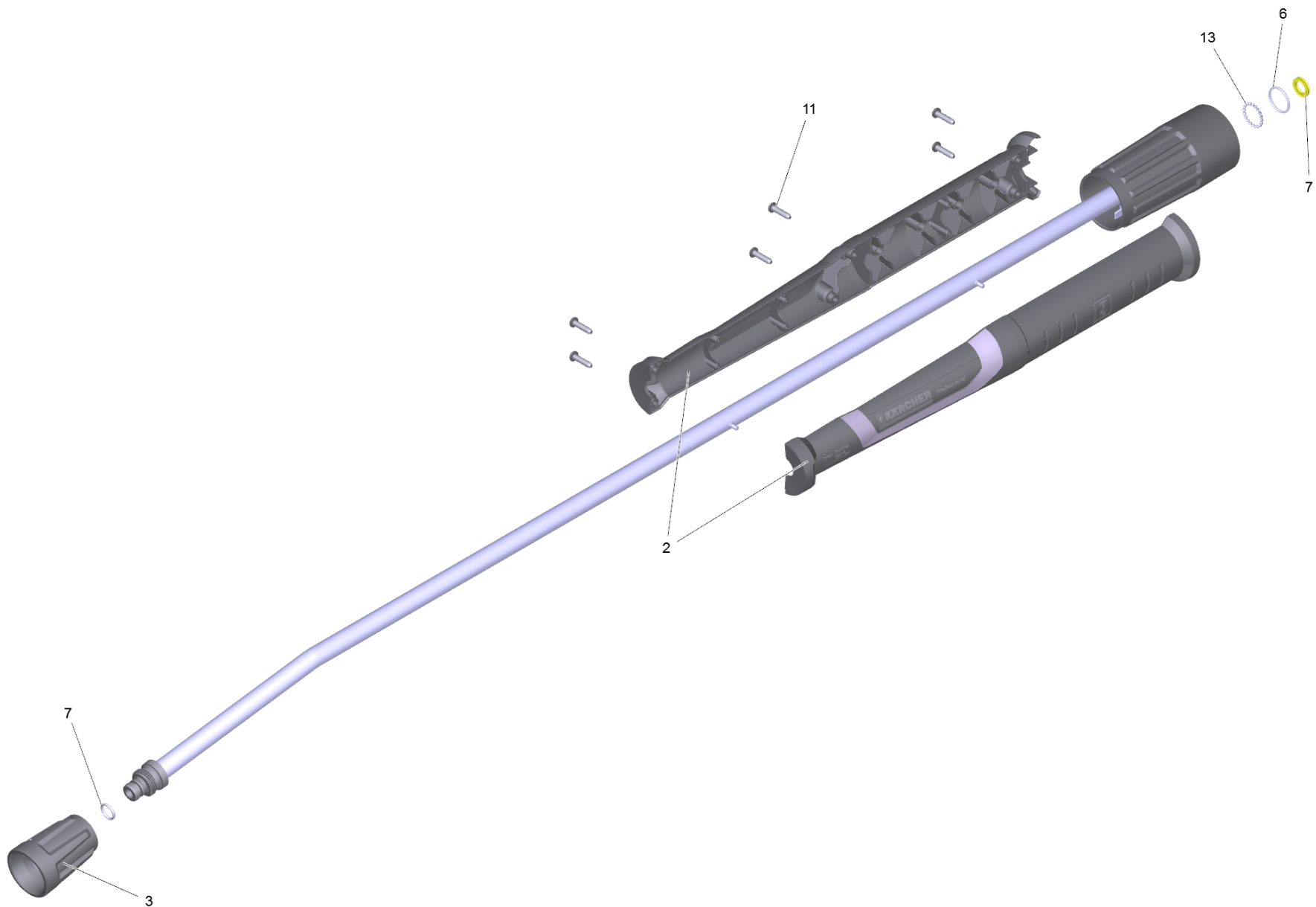


102 Steam nozzle TR 40070 (2.114-006.0)

POS	Article no.	Description	Quantity	Unit
2	2.880-001.0	Spare part set seals TR	1.000	ST

103 Jet pipe TR 1050 mm (4.112-000.0)

POS	Description	Quantity	Unit
1	Jet pipe TR 1050 mm	1.000	ST

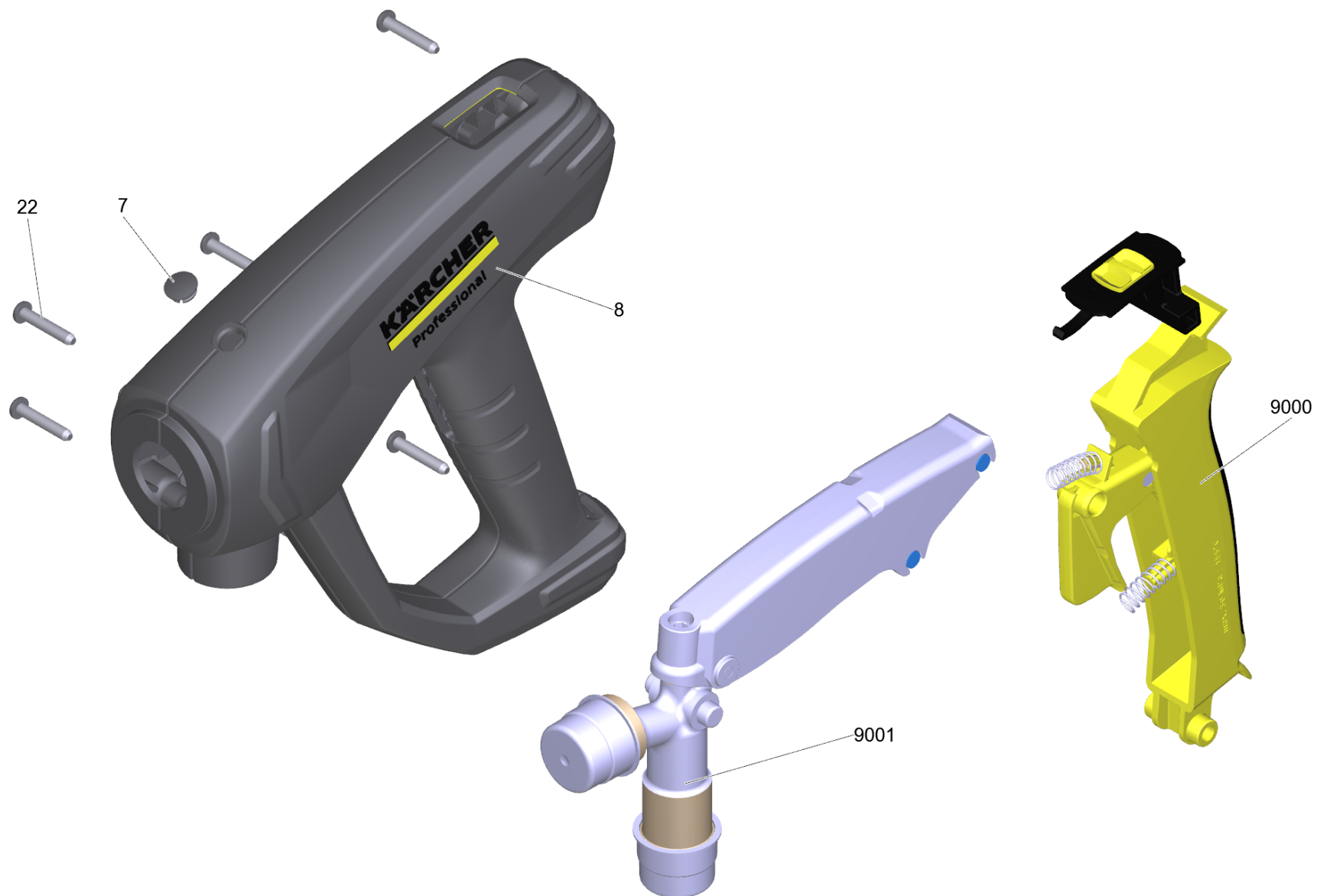


1 Jet pipe TR 1050 mm

POS	Article no.	Description	Quantity	Unit
2	5.321-018.3	Handle bowl jet pipe only for replacemen	1.000	ST
3	4.112-011.0	Protection part TR only for replacement	1.000	ST
6	6.362-067.0	O-Ring seal 16,1x1,6	1.000	ST
7	2.880-001.0	Spare part set seals TR	1.000	ST
11	7.303-129.0	Screw 4x16 -10.9-R2R (K-In6Rd)	6.000	ST
13	7.401-915.0	Sphere 2,5 G20 -1.4034 DIN 5401	20.000	ST

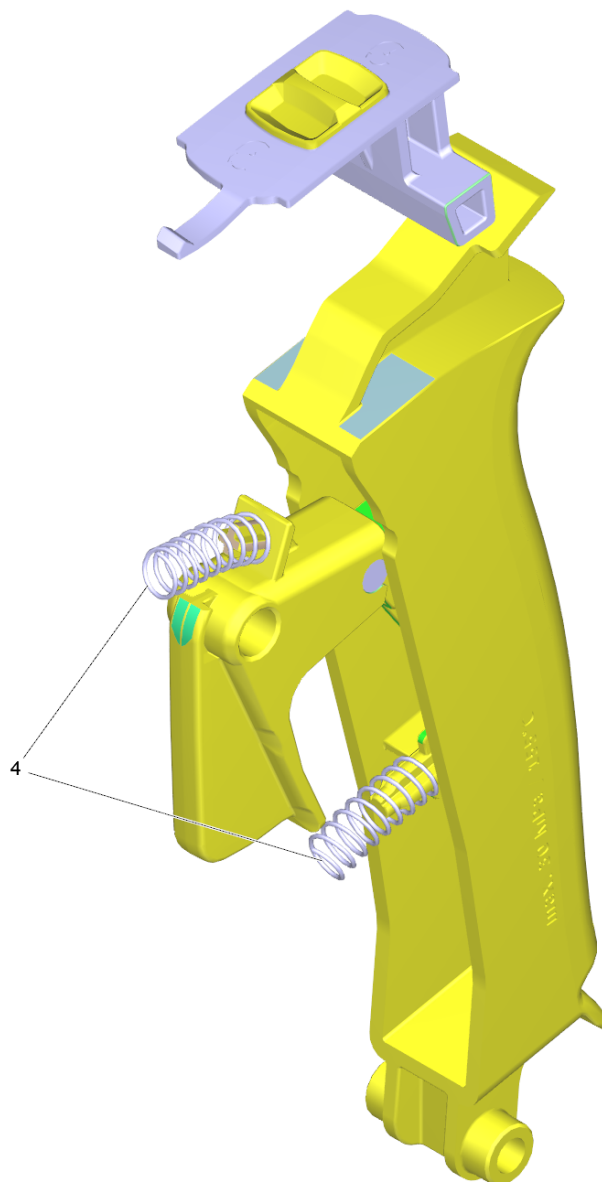
105 EASY!Force Advanced (4.118-005.0)

POS	Description	Quantity	Unit
1	Hand trigger gun TR EH 155	1.000	ST



1 Hand trigger gun TR EH 155

POS	Article no.	Description	Quantity	Unit
7	5.132-001.0	Plug	1.000	ST
8	5.321-136.3	Handhold few EH 155 only for replacement	1.000	ST
22	7.303-096.0	Screw 4x22 -ST-10.9-R2R (IN6RD)	7.000	ST
9000	2.885-483.0	Spare part set lever	1.000	ST
9001	4.427-014.0	Manifold TR EH 155 nur fuer Ersatz	1.000	ST

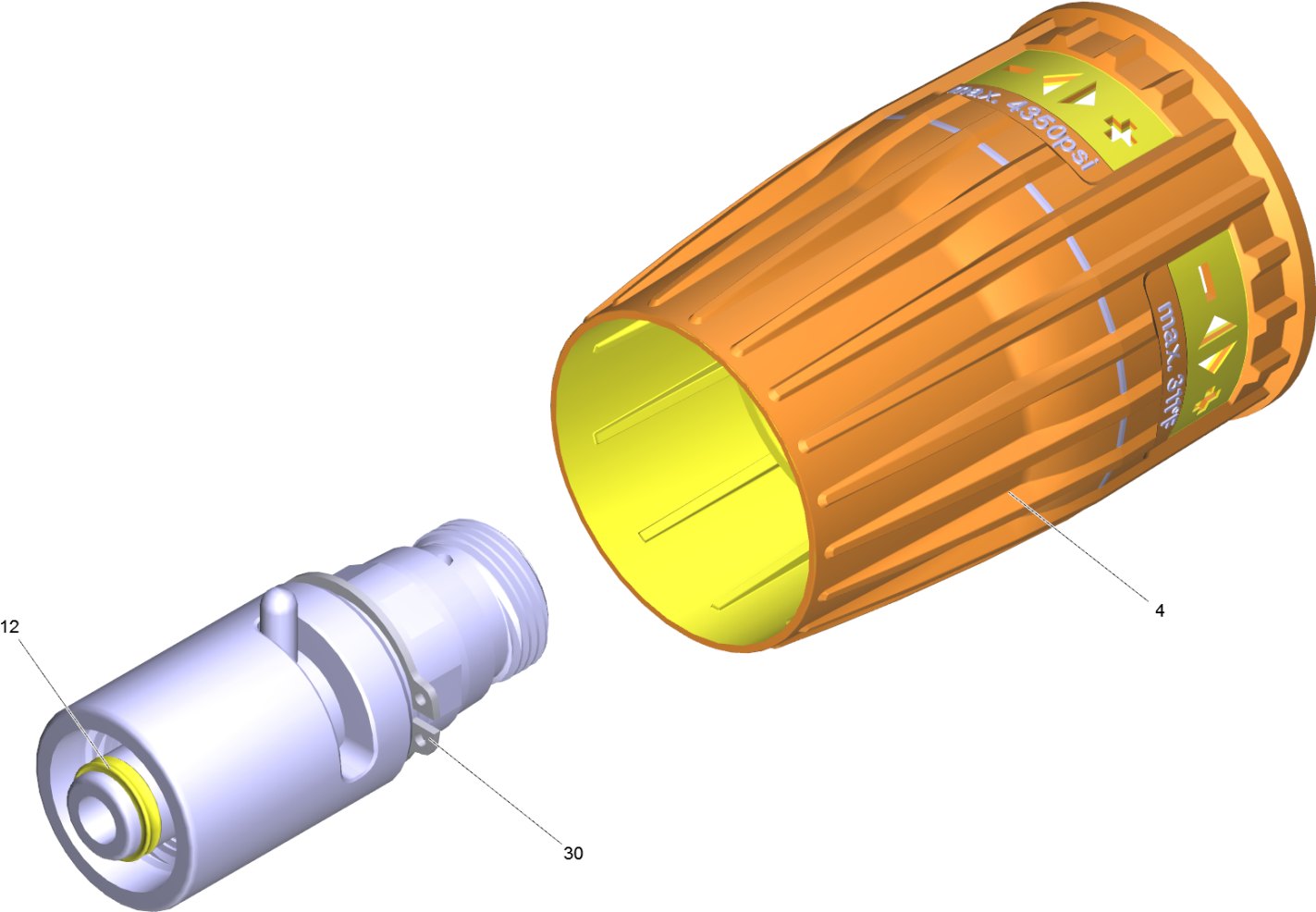


9000 Spare part set lever (2.885-483.0)

POS	Article no.	Description	Quantity	Unit
4	5.332-032.0	Helical spring	2.000	ST

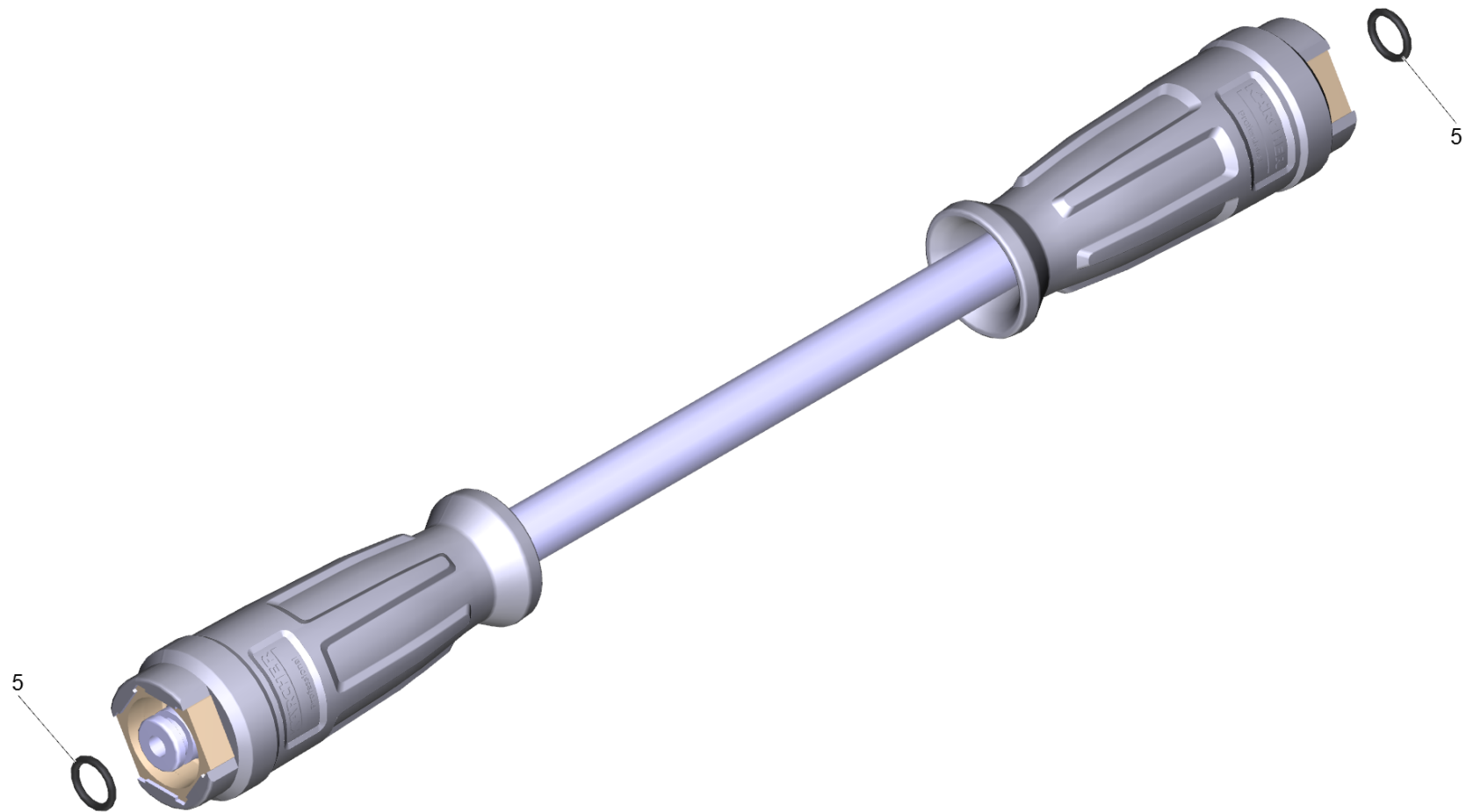
106 Rotary controller TR 416L (4.118-008.0)

POS	Description	Quantity	Unit
1	Rotary controller TR 416L	1.000	ST



1 Rotary controller TR 416L

POS	Article no.	Description	Quantity	Unit
4	5.321-364.3	Handhold rotary controller	1.000	ST
12	2.880-001.0	Spare part set seals TR	1.000	ST
30	7.343-069.0	Locking ring 25x1,2-1.4122 DIN 471	1.000	ST

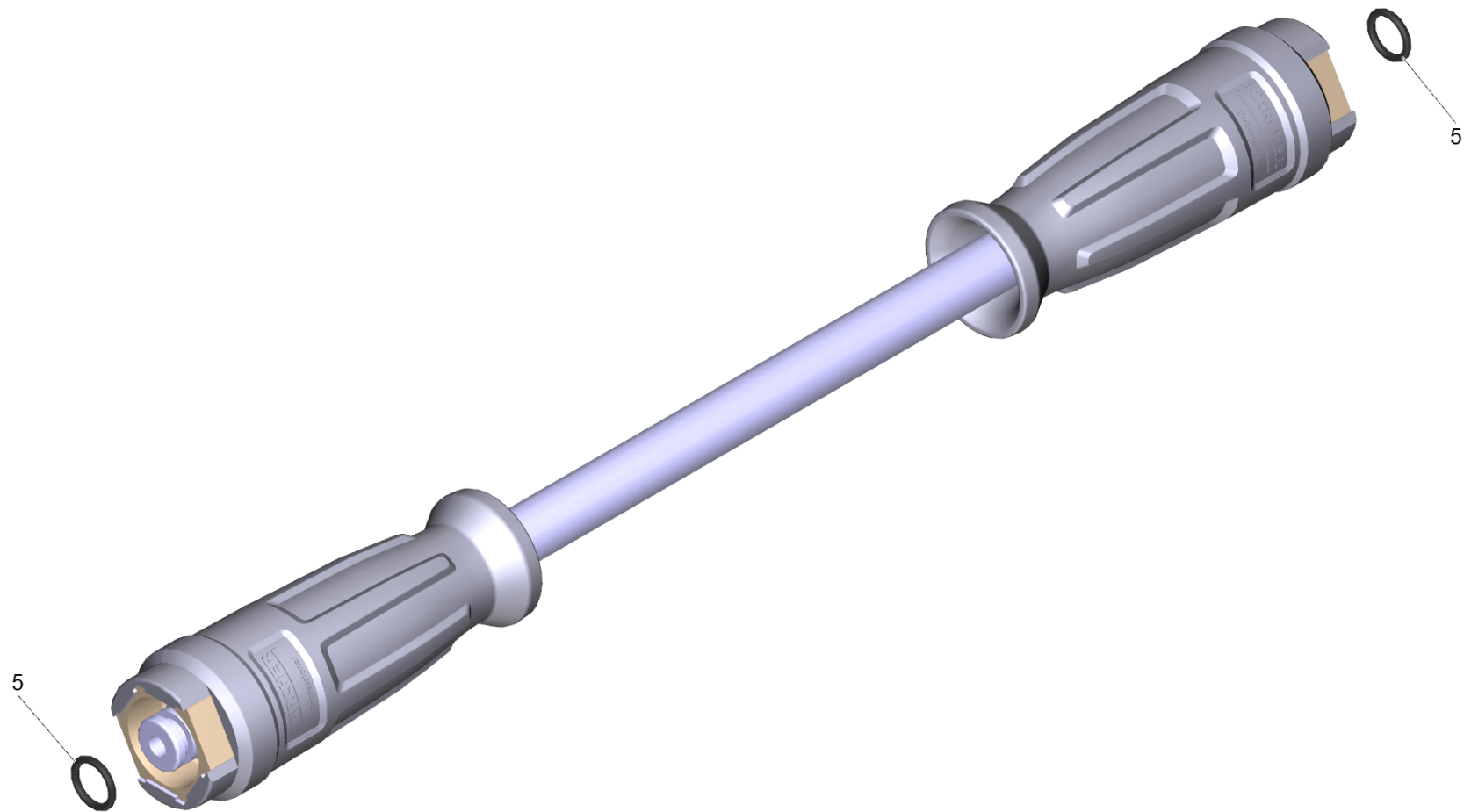


107 Hose assembly TR rotatable DN8 40MPa 20m (6.110-027.0)

POS	Article no.	Description	Quantity	Unit
5	2.880-154.0	O-Ring kit	1.000	ST

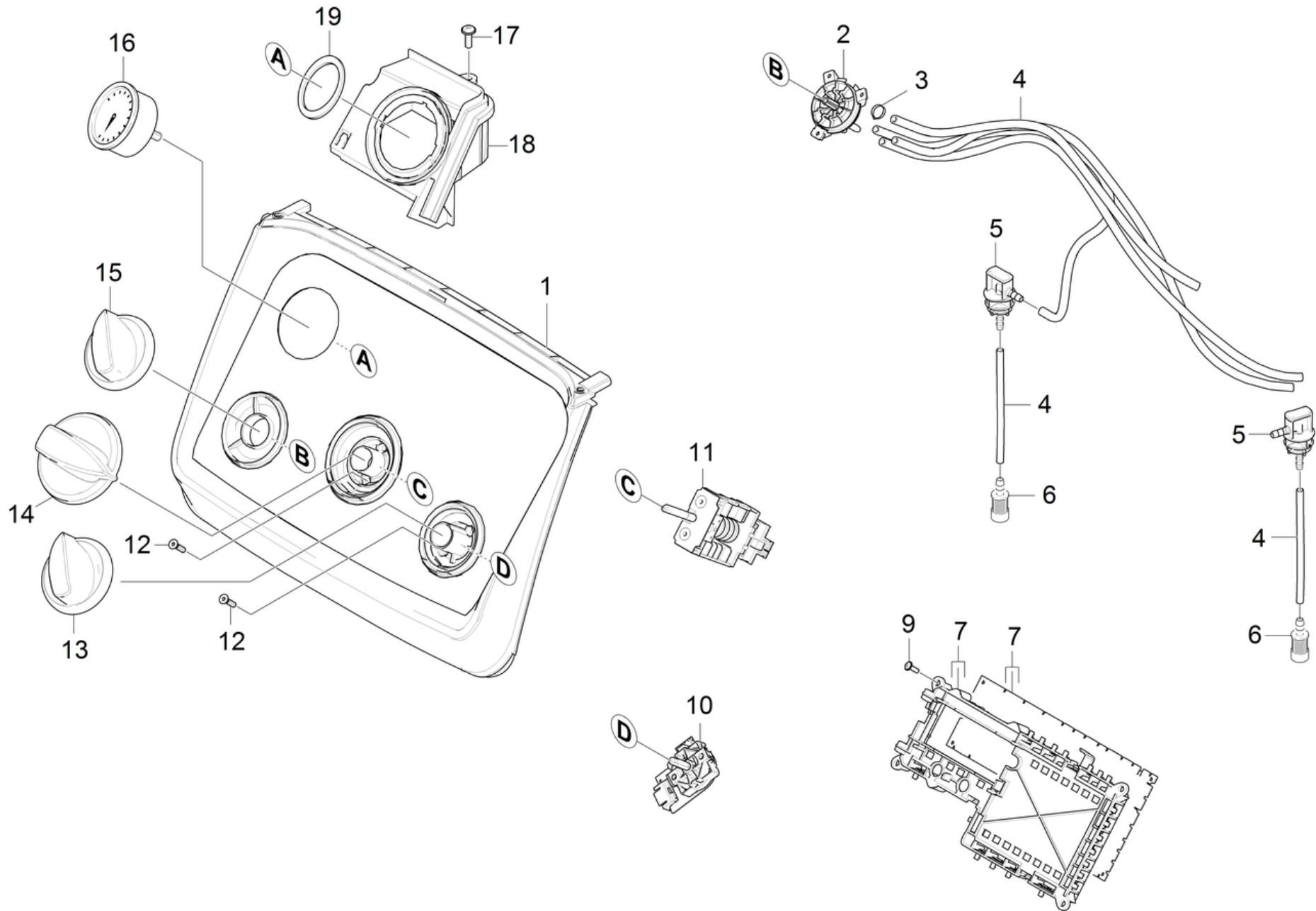
107 Hose assembly TR DN8 40MPa 10m (6.110-038.0)

POS	Description	Quantity	Unit
1	Hose assembly TR rotatable DN8 40MPa 10m	1.000	ST



1 Hose assembly TR rotatable DN8 40MPa 10m

POS	Article no.	Description	Quantity	Unit
5	2.880-154.0	O-Ring kit	1.000	ST



110 Control panel

POS	Article no.	Description	Quantity	Unit	Foot note text
1	4.841-204.0	Control panel only for replacement	1.000	ST	
2	4.063-842.0	Proportioning valve chemistry	1.000	ST	
3	6.388-559.0	Hose clip	4.000	ST	
4	6.391-341.0	Hose chemistry DN 6	1.000	M	TO ORDER AS CUT GOODS
5	5.132-195.0	Plug aspiration chemistry	2.000	ST	
6	5.731-638.0	Filter with weight	2.000	ST	
7	2.885-052.0	Frame circuit board complete	1.000	ST	
9	7.303-106.0	Screw 4x12 -10.9-R2R (IN6RD)	2.000	ST	
10	4.630-005.0	Switch temperature only for replacement	1.000	ST	
11	6.630-421.3	Switch program selection	1.000	ST	
12	7.305-019.0	Countersunk screw M4x16 -8.8-R2R (In6Rd	4.000	ST	
13	5.321-847.0	Handle	1.000	ST	
14	5.321-848.0	Handle	1.000	ST	
15	5.321-844.0	Handle	1.000	ST	
16	4.423-020.0	Pressure gauge only for replacement 0-25	1.000	ST	
17	7.303-106.0	Screw 4x12 -10.9-R2R (IN6RD)	1.000	ST	
18	5.044-850.0	Holder pressure gauge	1.000	ST	
19	5.363-721.0	Joint ring	1.000	ST	