

Spare parts list

(4.130-432.0) Lane nozzle

Table of contents

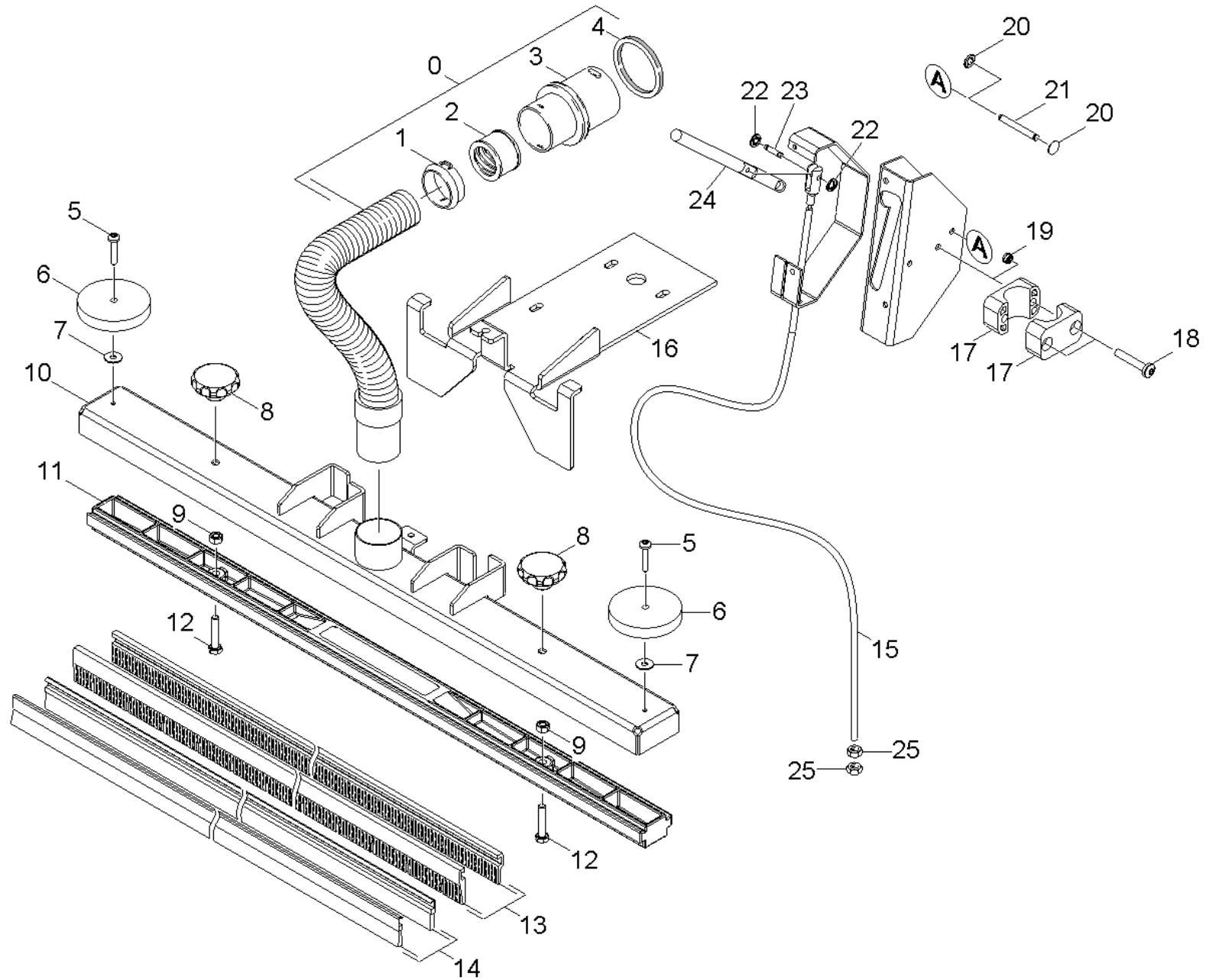
60 Lane nozzle (4.130-432.0)	3
2 Spare parts list lane nozzle (5.971-114.0)	4
10 Add-on kit lane nozzle	5
Hose complete 4.130-029.0 (4.440-077.0)	7

60 Lane nozzle (4.130-432.0)

POS	Article no.	Description	Quantity	Unit
2	5.971-114.0	Spare parts list lane nozzle	1	PC

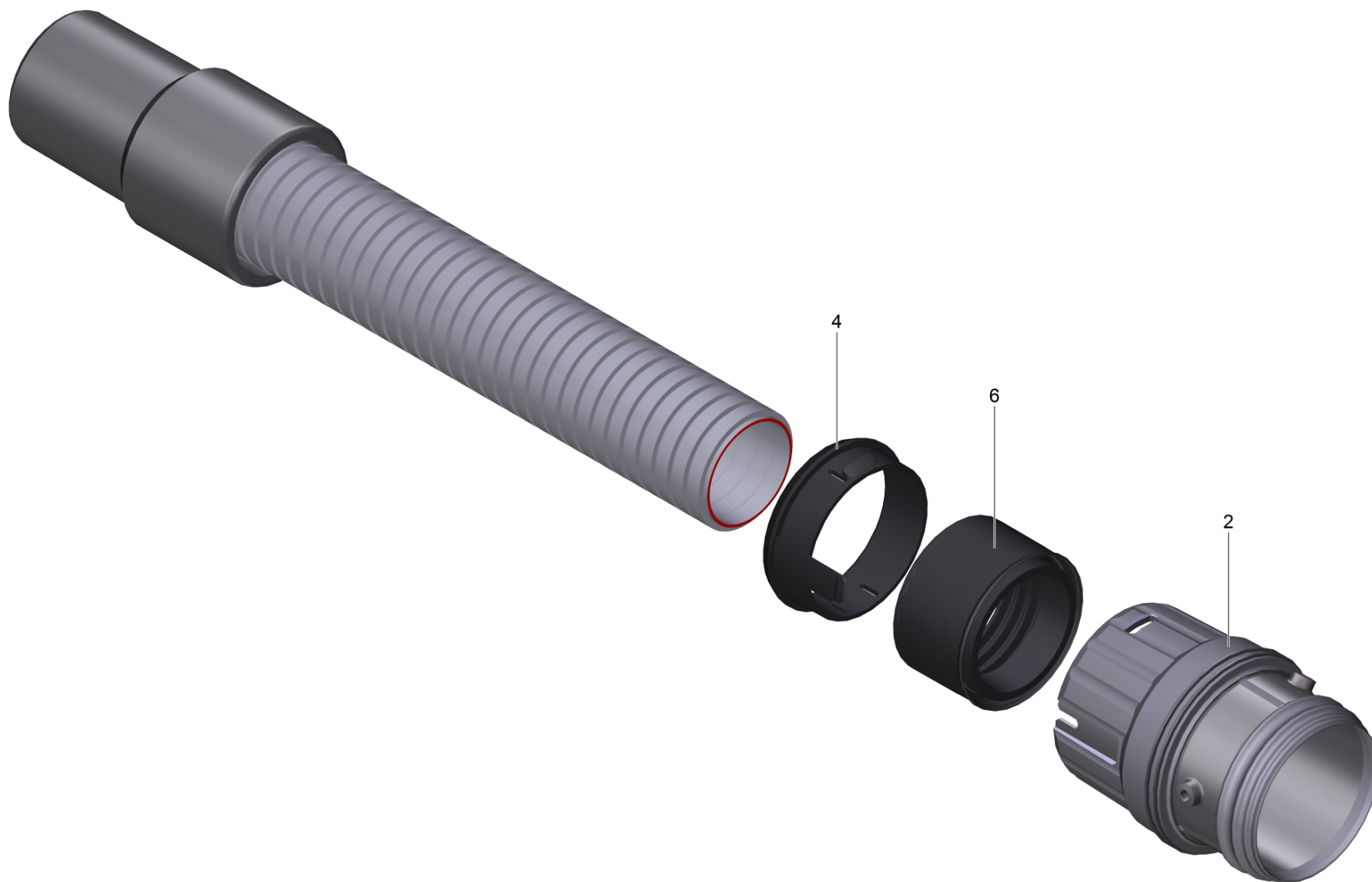
2 Spare parts list lane nozzle (5.971-114.0)

POS	Description	Quantity	Unit
10	Add-on kit lane nozzle	1	PC



10 Add-on kit lane nozzle

POS	Article no.	Description	Quantity	Unit	valid from	valid until	Foot note text
0	4.440-077.0	Hose complete 4.130-029.0	1	PC	510000		VERSION 2
0	4.440-935.0	Hose complete	1	PC		509999	VERSION 1
1	6.902-068.0	Snap-in ring	1	PC			
2	6.902-069.0	Threaded ring	1	PC			
3	5.443-477.0	Hosebarb DN40	1	PC			
4	6.273-009.0	Joint ring EPDM	1	PC			
5	7.303-079.0	Sheet metal screw ST4,8X25-ST-ZNBHL ISO14585	2	PC			
6	5.116-422.0	Washer plastics	2	PC			
7	7.312-278.0	Washer 5-200HV-A2E ISO7093-1	2	PC			
8	6.321-188.0	Star grip D40 M6	2	PC			
9	7.311-003.0	Hexagon nut M6 -8-A2E ISO 4032	2	PC			
10	6.050-018.0	Sheet metal component lane nozzle	1	PC			
11	5.130-475.0	Bottom part lane nozzle	1	PC			
12	7.304-549.0	Hexagonal head screw M 6x30-A4-70 ISO 4	2	PC			
13	6.906-750.0	Brush strips set	1	PC			
14	6.906-751.0	Rubber lip set	1	PC			
15	6.431-060.0	Bowden wire	1	PC			
16	5.043-064.0	Holder lane nozzle	1	PC			
17	6.373-832.0	Pipe clamp set 25	1	PC			
18	7.306-185.0	Screw M5x 35-A2-70 (IN6RD)	2	PC			
19	7.311-421.0	Hexagon nut M 5-04-A2E DIN 985	2	PC			
20	6.343-160.0	Quick-fastener	2	PC			
21	5.316-208.0	Bolt	1	PC			
22	6.343-169.0	Quick-fastener	2	PC			
23	5.316-255.0	Bolt	1	PC			
24	5.107-296.0	Bar	1	PC			
25	7.311-065.0	Hexagon nut M 5-A2-70 ISO 4032	2	PC			



Hose complete 4.130-029.0 (4.440-077.0)

POS	Article no.	Description	Quantity	Unit
2	5.034-107.0	Suction connection bayonet NW40	1	PC
4	5.031-305.0	Snap-in ring anthracite NW40	1	PC
6	5.453-021.0	Joint ring NW40	1	PC