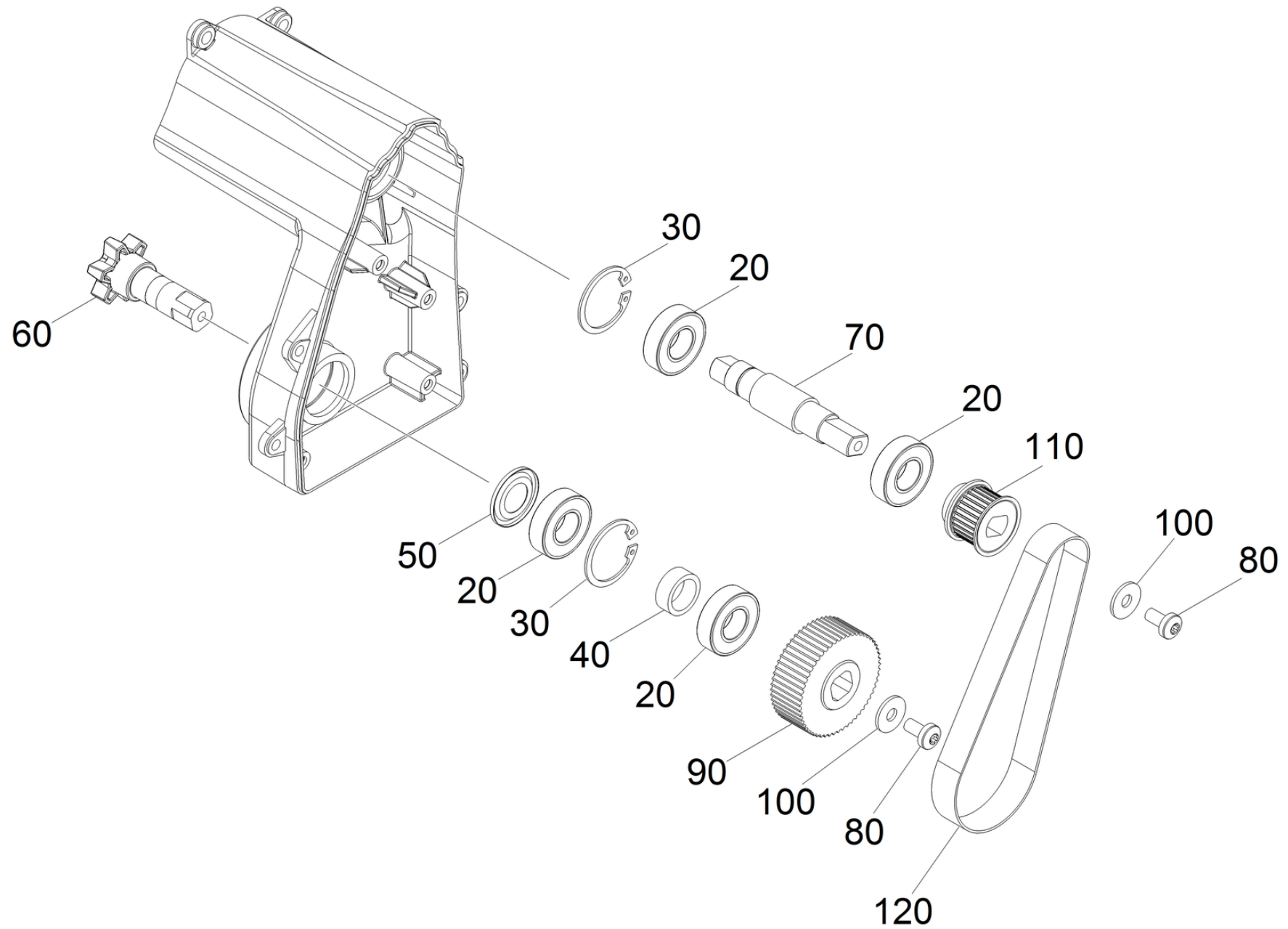


# 10 Gear case replacement (4.037-033.0)

Professional \ Floor cleaner \ Compact \ BR 35/12 C Bp Pack \*EU \ Brush-head complete \ Gear case complete \ Gear case replacement



## 10 Gear case replacement (4.037-033.0)

Professional \ Floor cleaner \ Compact \ BR 35/12 C Bp Pack \*EU \ Brush-head complete \ Gear case complete \ Gear case replacement

**KÄRCHER**

POS	Article no.	Description	Quantity	Unit
20	7.401-115.0	Ball bearing 6002-2RS -WAEZLAGST DIN 62	4	ST
30	7.343-231.0	Locking ring 32x1,2 -St-ph DIN 472	2	ST
40	5.110-686.0	Spacer sleeve	1	ST
50	6.363-292.0	Joint ring NILOS 6002	1	ST
60	5.100-571.0	Driveshaft 59mm	1	ST
70	5.037-274.0	Shaft gear	1	ST
80	6.304-180.0	Screw M6X12-A2/70-ISO7045 (IN6RD)	2	ST
90	5.037-874.0	Belt pulley Z56	1	ST
100	7.312-292.0	Washer 6 -A2 ISO 7093-1	2	ST
110	5.037-276.0	Belt pulley Z28	1	ST
120	6.348-480.0	Toothed belt	1	ST