

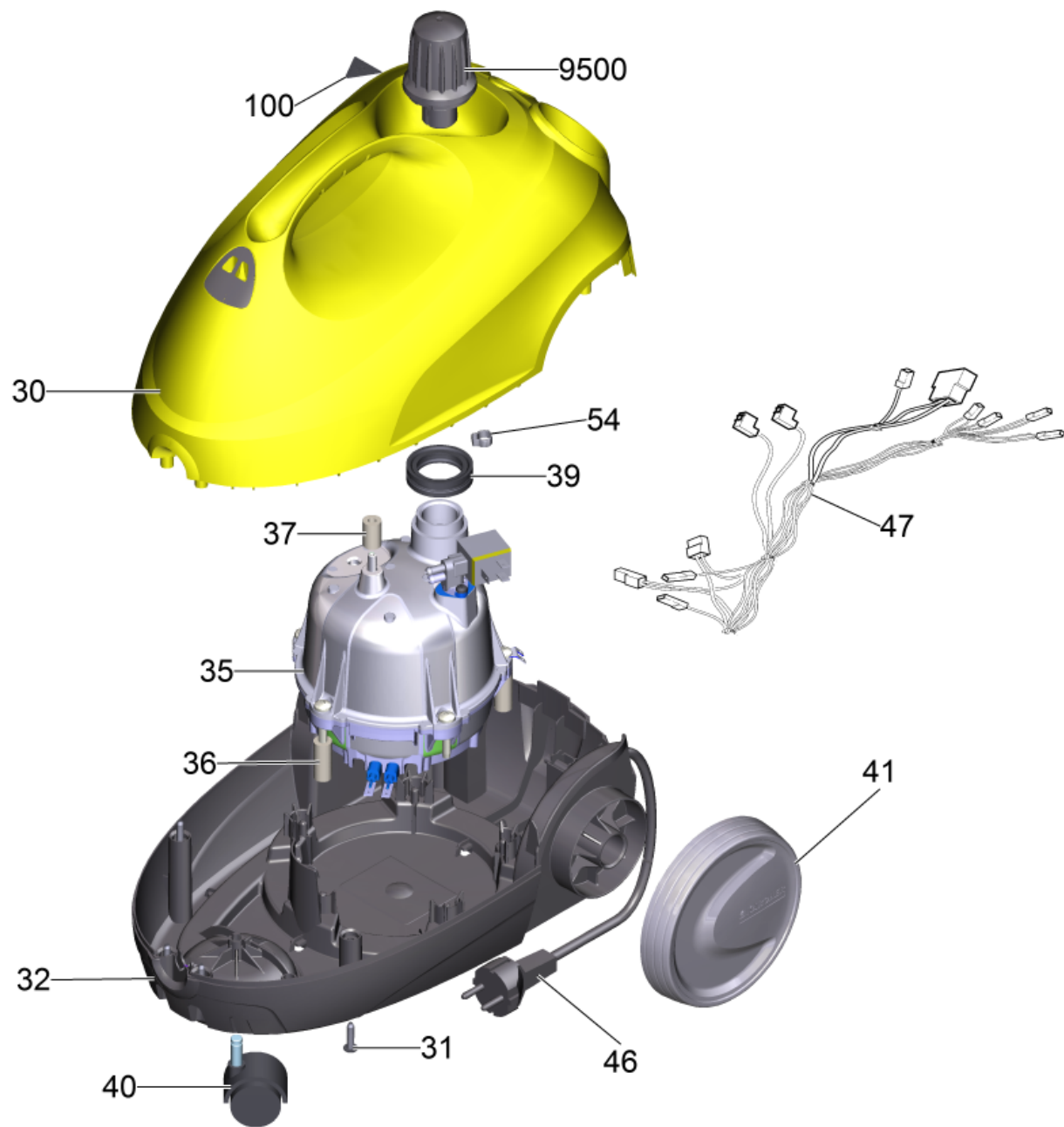
## **Spare parts list**

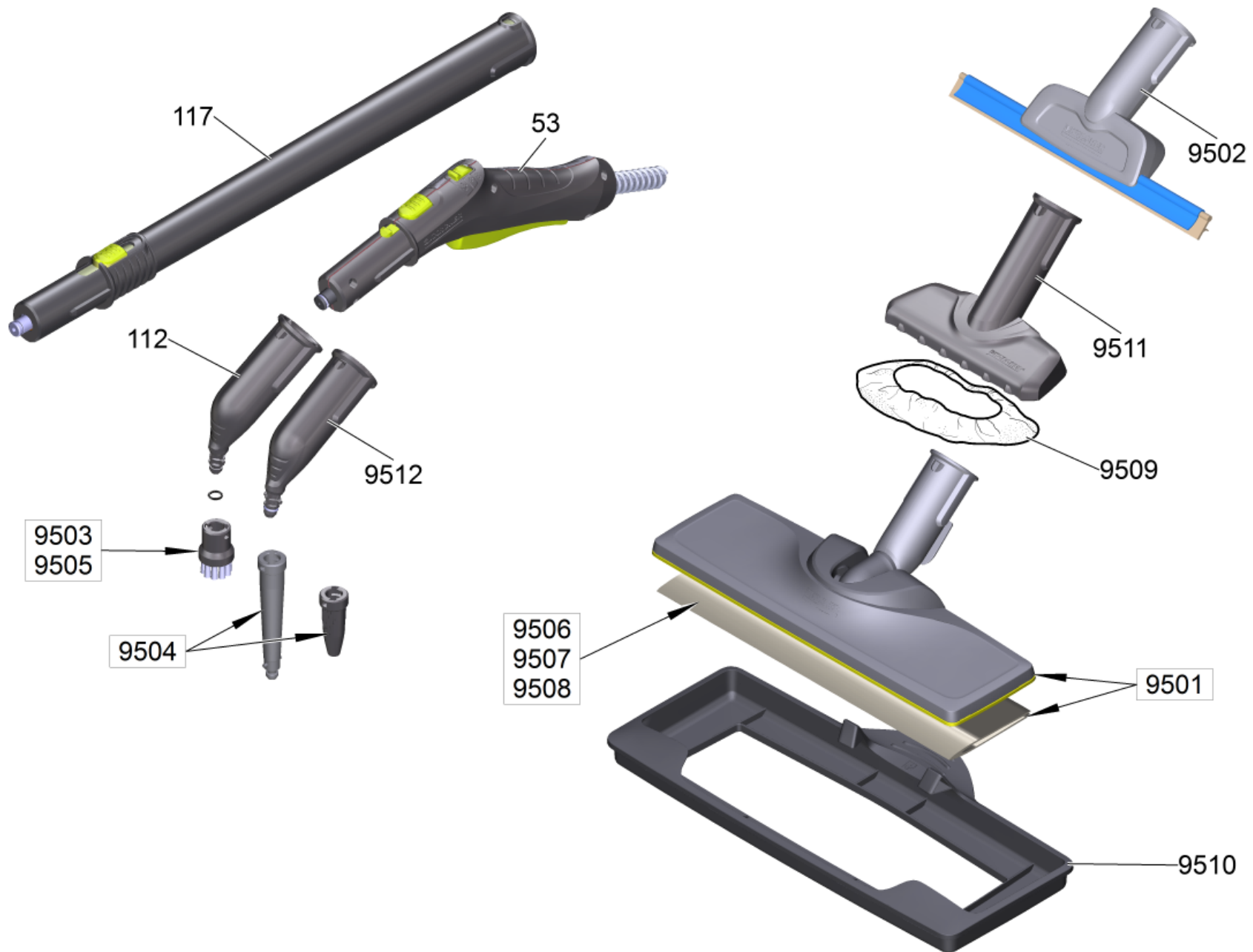
(1.512-050.0) SC 2 EasyFix (yellow)\*EU

## Table of contents

---

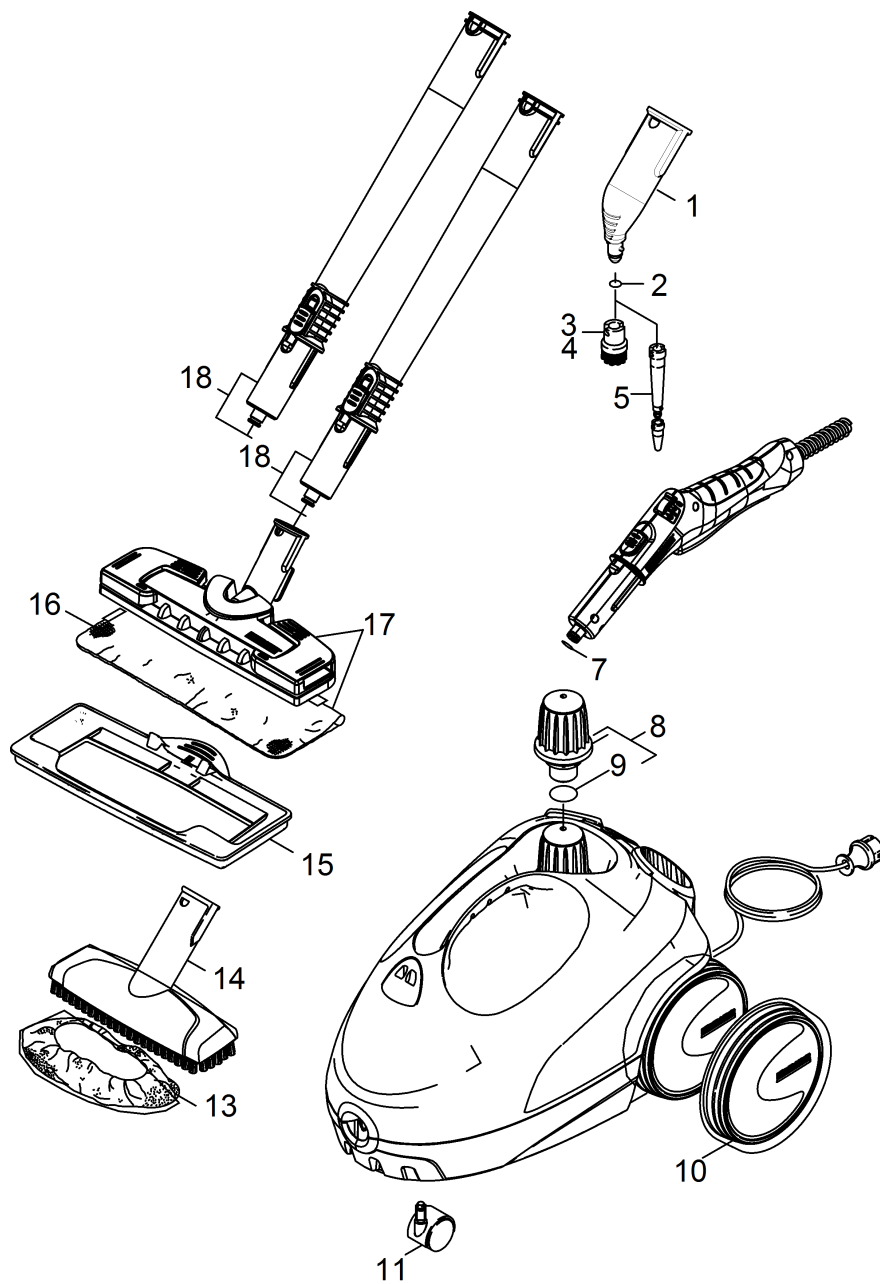
SC 2 EasyFix (yellow)*EU (1.512-050.0)	3
Short spare parts list	6
35 Boiler complete replacement SC 1.020 (4.070-818.0)	8
1 Thermostat complete replacement (4.746-033.0)	10
9002 Elbow nipple set replacement (4.509-000.0)	12
53 Steam hose without plug bk/yw (4.322-048.0)	14
112 Point jet nozzle complete black (4.130-431.0)	15
117 Extension pipe (4.127-024.0)	17
9500 Safety lock complete replacement (4.590-105.0)	19
9502 Window nozzle special accessories (2.863-025.0)	21
9512 Point jet nozzle complete PA (4.130-021.0)	23





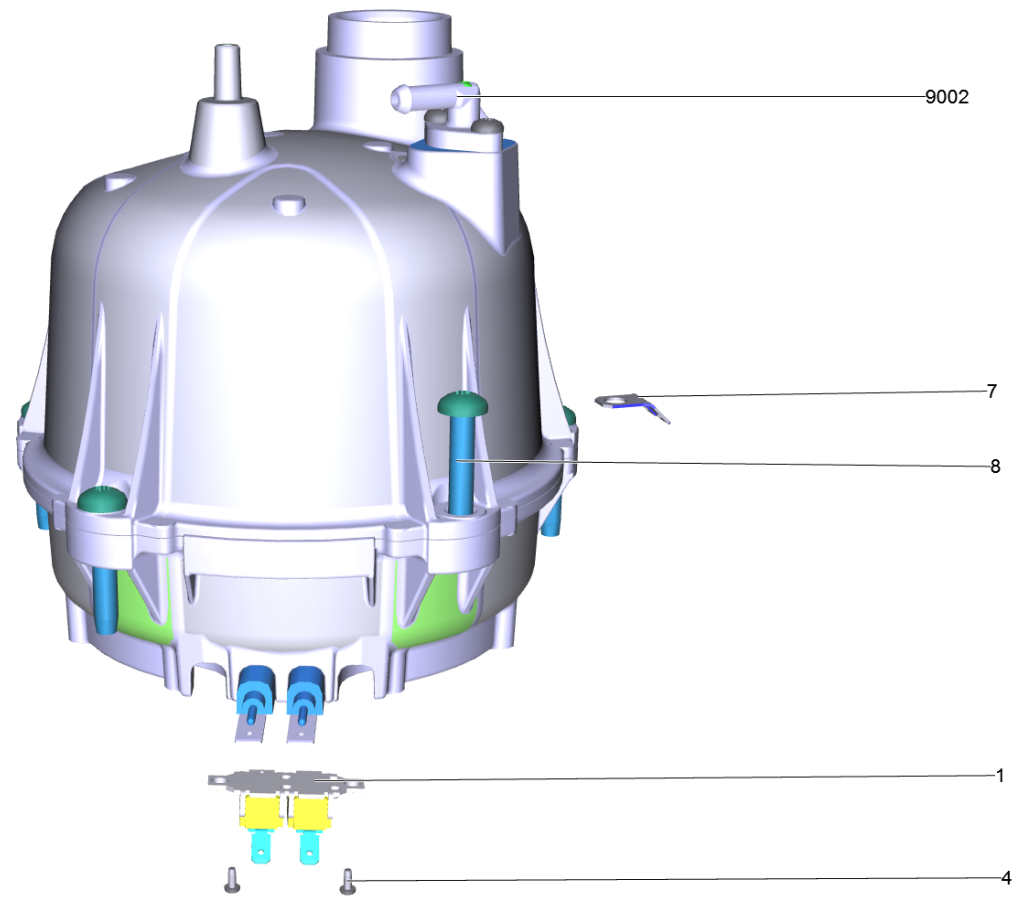
SC 2 EasyFix (yellow)\*EU (1.512-050.0)

POS	Article no.	Description	Quantity	Unit
37	6.512-002.0	Bearing rubber above	1.000	ST
36	6.512-001.0	Bearing rubber bottom	3.000	ST
35	4.070-818.0	Boiler complete replacement SC 1.020	1.000	ST
32	5.512-234.0	Bottom housing Floortool recyclat	1.000	ST
47	4.039-183.0	Cable set SC 1.020 *EU	1.000	ST
46	6.649-797.0	Cable with plug EU 4m	1.000	ST
9510	2.863-269.0	Carpet slider	1.000	ST
40	6.435-857.0	Castor	1.000	ST
117	4.127-024.0	Extension pipe	2.000	ST
9501	2.863-267.0	Floor nozzle set EasyFix	1.000	ST
9511	2.884-280.0	Hand nozzle	1.000	ST
54	6.389-993.0	Hose clip 7,5 - 9,0	1.000	ST
41	4.515-307.0	Impeller kit replacement	1.000	ST
9508	2.863-266.0	Microfibre cloth set bath	1.000	ST
9506	2.863-265.0	Microfibre cloth set kitchen	1.000	ST
9509	2.863-270.0	Microfibre covers for hand nozzle	1.000	ST
9507	2.863-259.0	Microfibre floor cloths EasyFix (2-er Se	1.000	ST
112	4.130-431.0	Point jet nozzle complete black	1.000	ST
9512	4.130-021.0	Point jet nozzle complete PA	1.000	ST
9504	2.863-263.0	Power nozzle set	1.000	ST
9505	2.863-264.0	Round brushes set	1.000	ST
9503	2.863-140.0	Round brush with scraper	1.000	ST
9500	4.590-105.0	Safety lock complete replacement	1.000	ST
31	7.303-108.0	Screw 5x20 -10.9-R2R (In6Rd)	6.000	ST
39	5.363-635.0	Seal	1.000	ST
0		Short spare parts list	1.000	ST
53	4.322-048.0	Steam hose without plug bk/yw	1.000	ST
30	4.512-083.0	Upper housing complete replacement SC 2	1.000	ST
100	5.387-036.0	Warning sign	1.000	ST
9502	2.863-025.0	Window nozzle special accessories	1.000	ST



## Short spare parts list

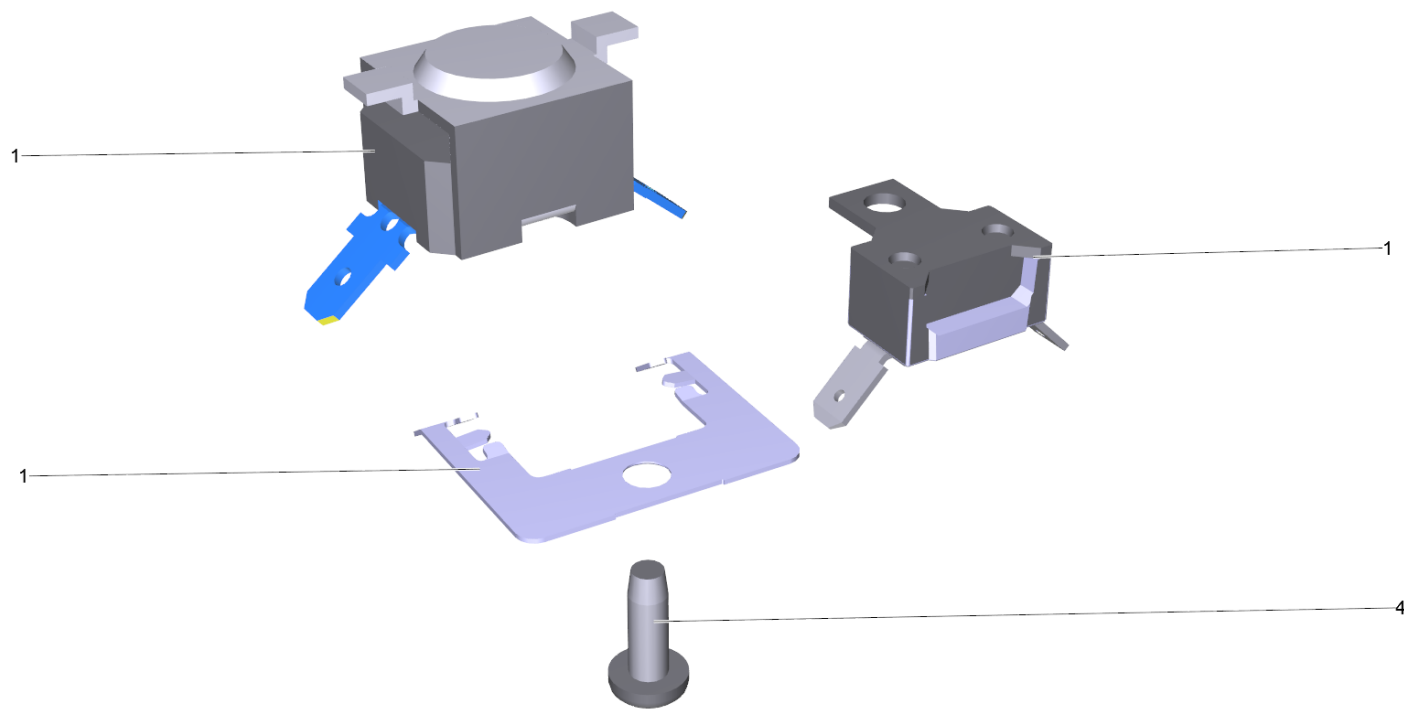
POS	Article no.	Description	Quantity	Unit
15	2.863-269.0	Carpet slider	1.000	ST
11	6.435-857.0	Castor	1.000	ST
16	2.863-173.0	Cloth set Steam+Clean Floor	1.000	ST
18	4.127-024.0	Extension pipe	2.000	ST
17	2.863-267.0	Floor nozzle set EasyFix	1.000	ST
14	2.884-280.0	Hand nozzle	1.000	ST
10	4.515-307.0	Impeller kit replacement	1.000	ST
16	2.863-265.0	Microfibre cloth set kitchen	1.000	ST
13	2.863-270.0	Microfibre covers for hand nozzle	1.000	ST
16	2.863-259.0	Microfibre floor cloths EasyFix (2-er Se	1.000	ST
2	6.362-186.0	O-Ring seal 7,65X 1,78	1.000	ST
7	6.362-922.0	O-Ring seal 8,73x1,78	1.000	ST
9	6.363-468.0	O-Ring seal EPDM 22x3	1.000	ST
1	4.130-431.0	Point jet nozzle complete black	1.000	ST
1	4.130-021.0	Point jet nozzle complete PA	1.000	ST
5	2.863-263.0	Power nozzle set	1.000	ST
4	2.863-264.0	Round brushes set	1.000	ST
3	2.863-140.0	Round brush with scraper	1.000	ST
8	4.590-105.0	Safety lock complete replacement	1.000	ST





35 Boiler complete replacement SC 1.020 (4.070-818.0)

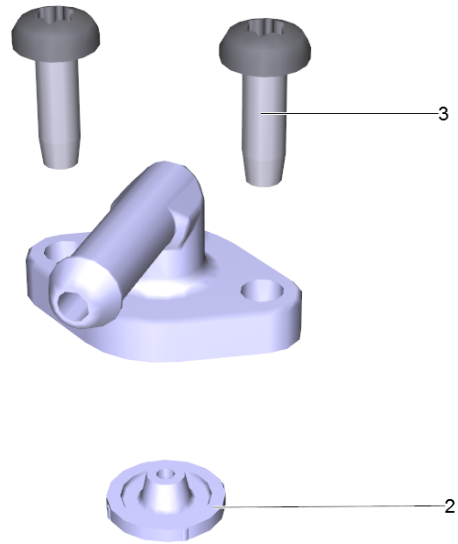
POS	Article no.	Description	Quantity	Unit
1	6.630-649.0	Combination TR-TS Discomelt 2	1.000	ST
	<b>Item text1:</b> 1.512-045.0 /			
9002	4.509-000.0	Elbow nipple set replacement	1.000	ST
8	6.303-324.0	M6 X 32 TORX DRIVE PAN HD SPECIAL POINT	5.000	ST
4	7.303-031.0	Screw M4x10 -St-P2R (In6Rd)	2.000	ST
7	6.651-519.0	Tab	1.000	ST
1	6.630-269.0	Thermostat 143/260°C TR-TS Discomelt 2	1.000	ST
	<b>Item text1:</b> 1.512-004.0//005.0/006.0/009.0/011.0/042.0/044.0 /046.0/050.0/051.0 /052.0/053.0/055/056.0/058.0/060.0/070.0 /072.0/090.0/091.0/092.0			
1	4.746-033.0	Thermostat complete replacement	1.000	ST



1 Thermostat complete replacement (4.746-033.0)

---

<b>POS</b>	<b>Article no.</b>	<b>Description</b>	<b>Quantity</b>	<b>Unit</b>
4	7.303-031.0	Screw M4x10 -St-P2R (In6Rd)	2.000	ST
1		Thermostat 143°	1.000	ST



9002 Elbow nipple set replacement (4.509-000.0)

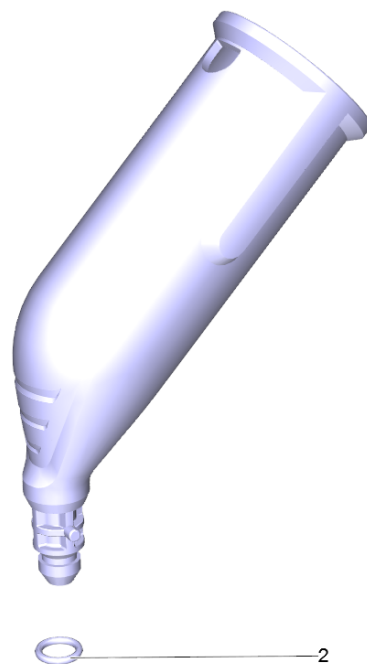
---

<b>POS</b>	<b>Article no.</b>	<b>Description</b>	<b>Quantity</b>	<b>Unit</b>
3	7.303-032.0	Screw M4x12 -St-R2R (In6Rd)	2.000	ST
2	5.363-770.0	Seal throttle 1800W	1.000	ST

53 Steam hose without plug bk/yw (4.322-048.0)

---

<b>POS</b>	<b>Article no.</b>	<b>Description</b>	<b>Quantity</b>	<b>Unit</b>
2	6.362-922.0	O-Ring seal 8,73x1,78	1.000	ST

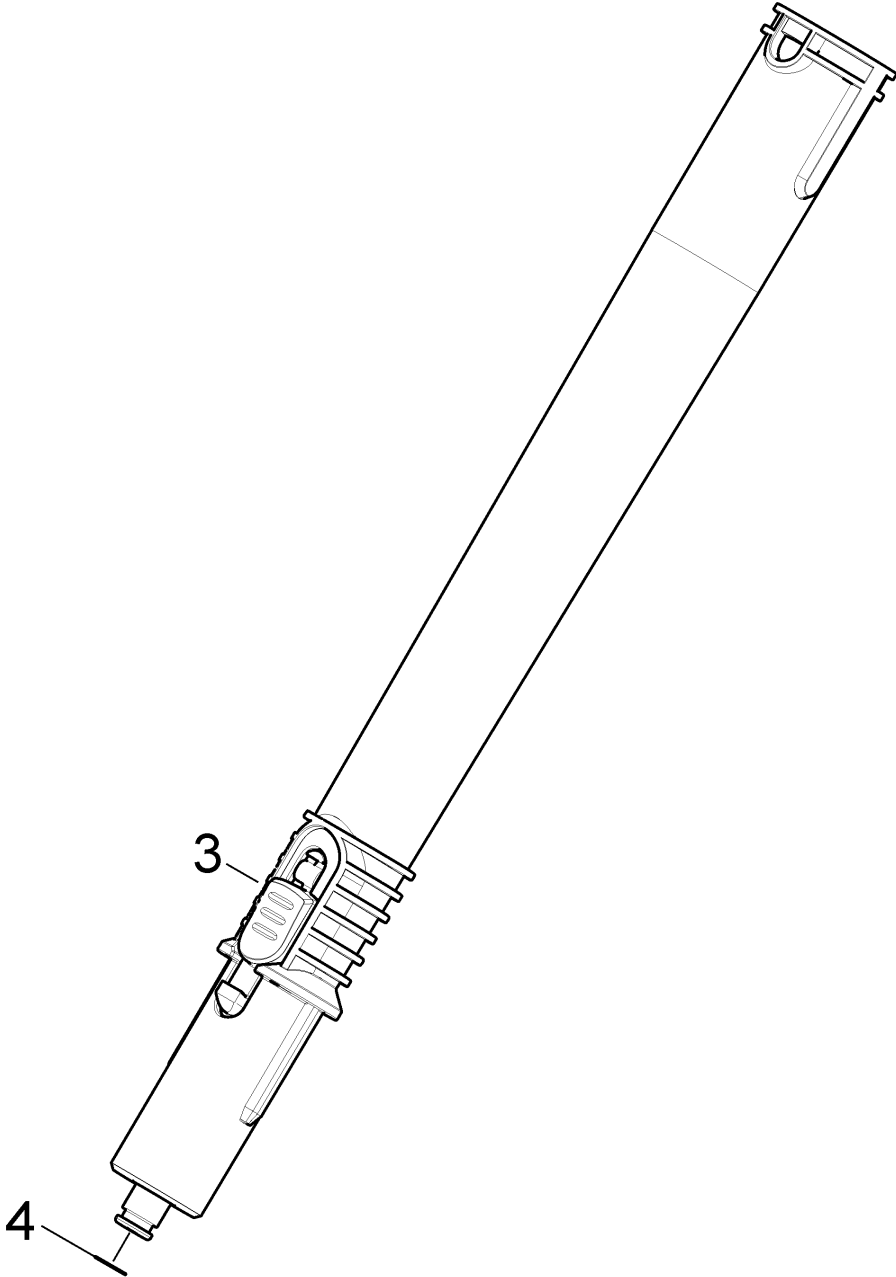


112 Point jet nozzle complete black (4.130-431.0)

---

POS	Article no.	Description	Quantity	Unit
2	6.362-186.0	O-Ring seal 7,65X 1,78	1.000	ST

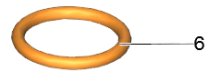




117 Extension pipe (4.127-024.0)

---

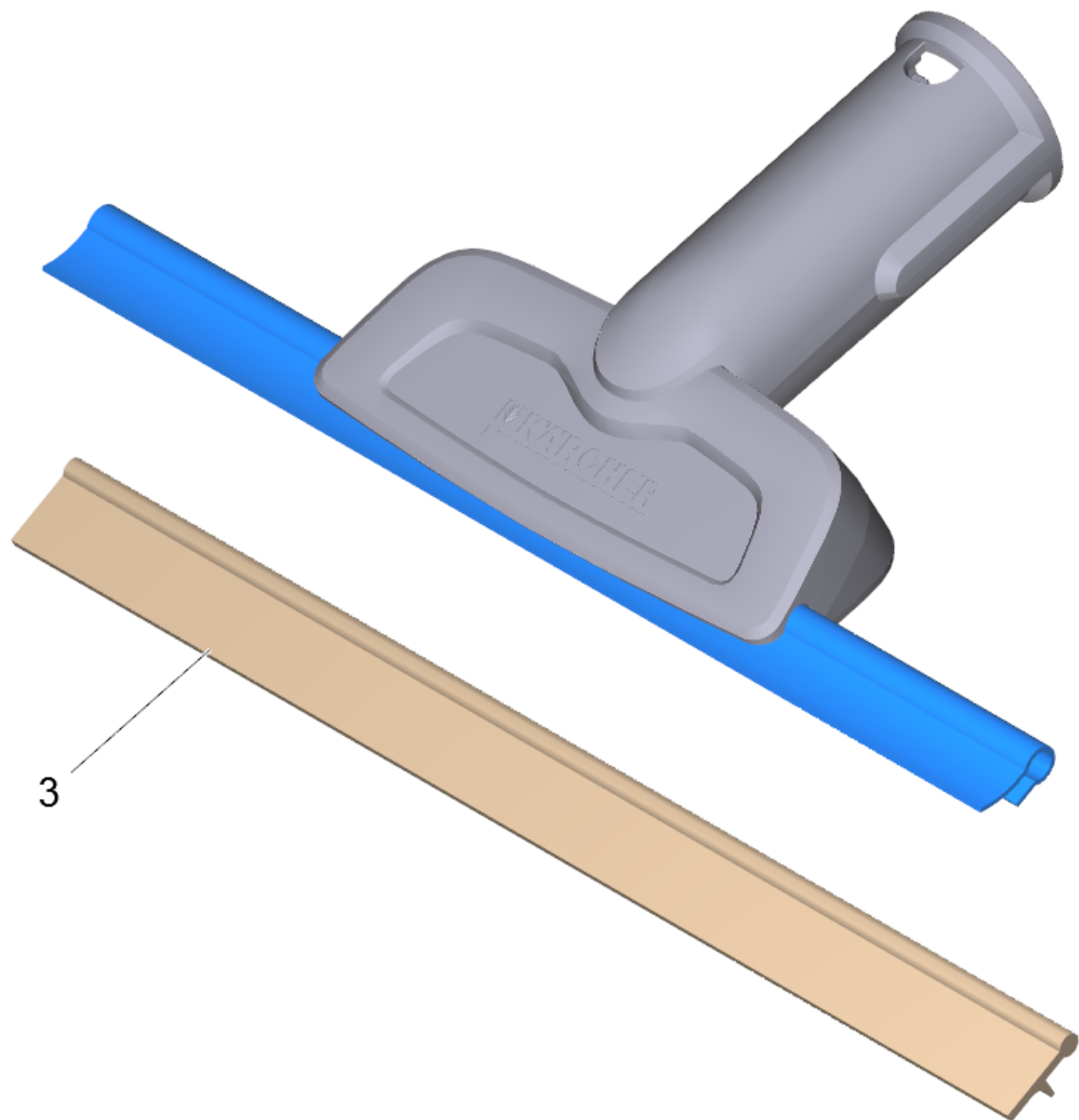
<b>POS</b>	<b>Article no.</b>	<b>Description</b>	<b>Quantity</b>	<b>Unit</b>
4	6.362-922.0	O-Ring seal 8,73x1,78	1.000	ST
3	5.037-220.0	Snap-fit	1.000	ST



9500 Safety lock complete replacement (4.590-105.0)

---

<b>POS</b>	<b>Article no.</b>	<b>Description</b>	<b>Quantity</b>	<b>Unit</b>
6	6.363-468.0	O-Ring seal EPDM 22x3	1.000	ST

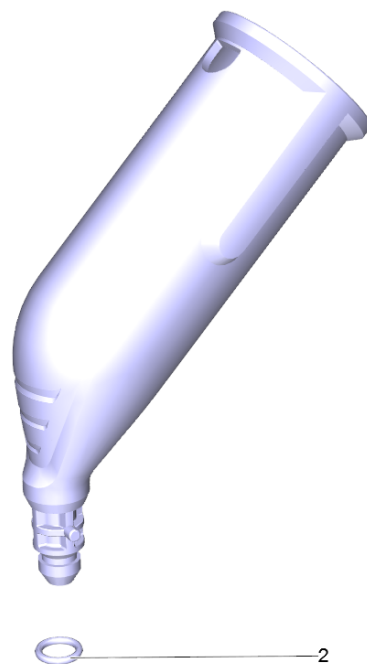


9502 Window nozzle special accessories (2.863-025.0)

---

<b>POS</b>	<b>Article no.</b>	<b>Description</b>	<b>Quantity</b>	<b>Unit</b>
3	5.512-125.0	Rubber lip	1.000	ST

---



9512 Point jet nozzle complete PA (4.130-021.0)

---

<b>POS</b>	<b>Article no.</b>	<b>Description</b>	<b>Quantity</b>	<b>Unit</b>
2	6.362-186.0	O-Ring seal 7,65X 1,78	1.000	ST