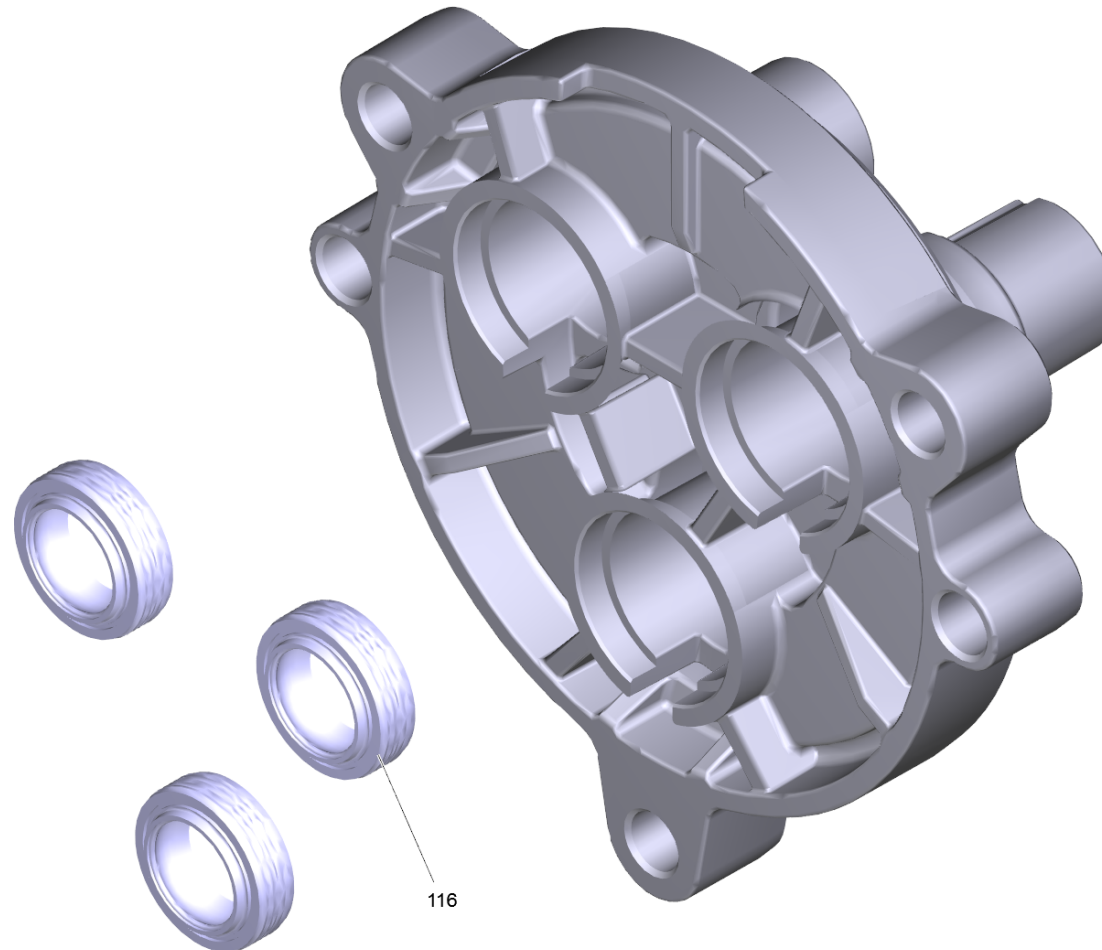


5 Piston guidance for replacement (2.060-000.0)

Professional \ High pressure cleaner cold water \ Electric motor \ HD 5/15 CX Plus + FR Classic *EU \ Spare parts list HD 5/15 CX Plus + FR Cl \ Pump set \ Piston guidance \ Piston guidance for replacement



5 Piston guidance for replacement (2.060-000.0)

Professional \ High pressure cleaner cold water \ Electric motor \ HD 5/15 CX Plus + FR Classic *EU \ Spare parts list HD 5/15 CX Plus + FR Cl \ Pump set \ Piston guidance \ Piston guidance for replacement



POS	Article no.	Description	Quantity	Unit
116	6.363-633.0	Grooved ring 12x18x6/5/1	3.000	ST