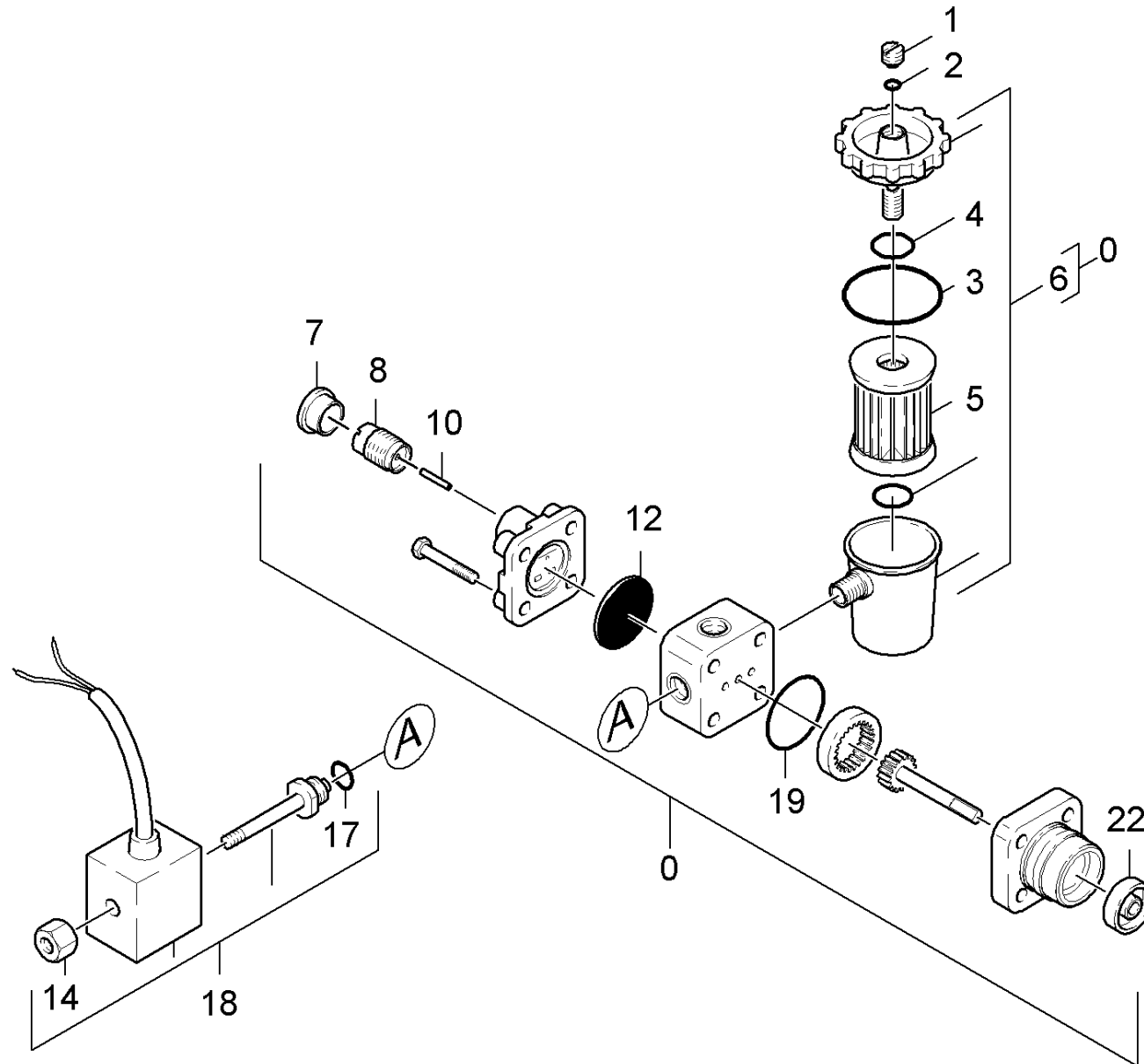


51 Fuel pump

Overview technical documents/Professional/Systems engineering/Self-service appliances/One and two place cleaner/SB-HDW/SB-HDW

*EU (1.981-115.0)/Documentation SB-HDW/Spare parts list SB-HDW/50 Fuel pump/51 Fuel pump



51 Fuel pump

Overview technical documents/Professional/Systems engineering/Self-service appliances/One and two place cleaner/SB-HDW/SB-HDW

*EU (1.981-115.0)/Documentation SB-HDW/Spare parts list SB-HDW/50 Fuel pump/51 Fuel pump

Rez.daļas/nodil.pakļ.daļas	Poz.	Materiāla Nr.	Nosaukums	Daudzums	Pārdoš. vienība	no sēr. Nr..	līdz sēr. Nr.
X-X	0	6.472-925.0	Degļa sūknis - tikai nomainīgai	1.000	ST	0000000000	0000000000
	1	6.472-107.0	Screw ventilation	1.000	ST	0000000000	0000000000
	2	6.472-106.0	O-Ring seal 5,0 X 1,8	1.000	ST	0000000000	0000000000
X-X	3	6.472-111.0	Gredzenblīve 32,0 X 1,6	1.000	ST	0000000000	0000000000
	4	6.472-112.0	Gredzenblīve 10,0 x 2,4 NBR 70	1.000	ST	0000000000	0000000000
X-X	5	6.472-113.0	Nomaināmais filtrējošais elements	1.000	ST	0000000000	0000000000
	6	6.472-123.0	Filter housing complete	1.000	ST	0000000000	0000000000
	7	6.472-122.0	Protecting cap	1.000	ST	0000000000	0000000000
	8	6.472-109.0	Housing spring	1.000	ST	0000000000	0000000000
	10	6.472-108.0	Pin	1.000	ST	0000000000	0000000000
X-X	12	6.472-128.0	Membrāna	1.000	ST	0000000000	0000000000
	14	6.472-340.0	Knurled nut	1.000	ST	0000000000	0000000000
	17	6.472-125.0	O-Ring seal 12,0 X 1,5	1.000	ST	0000000000	0000000000
X-X	18	6.472-411.0	Solenoida vārsts	1.000	ST	0000000000	0000000000
X-X	19	6.472-120.0	O-ring seal	1.000	ST	0000000000	0000000000
X	22	6.472-105.0	Ass blīvējums	1.000	ST	0000000000	0000000000