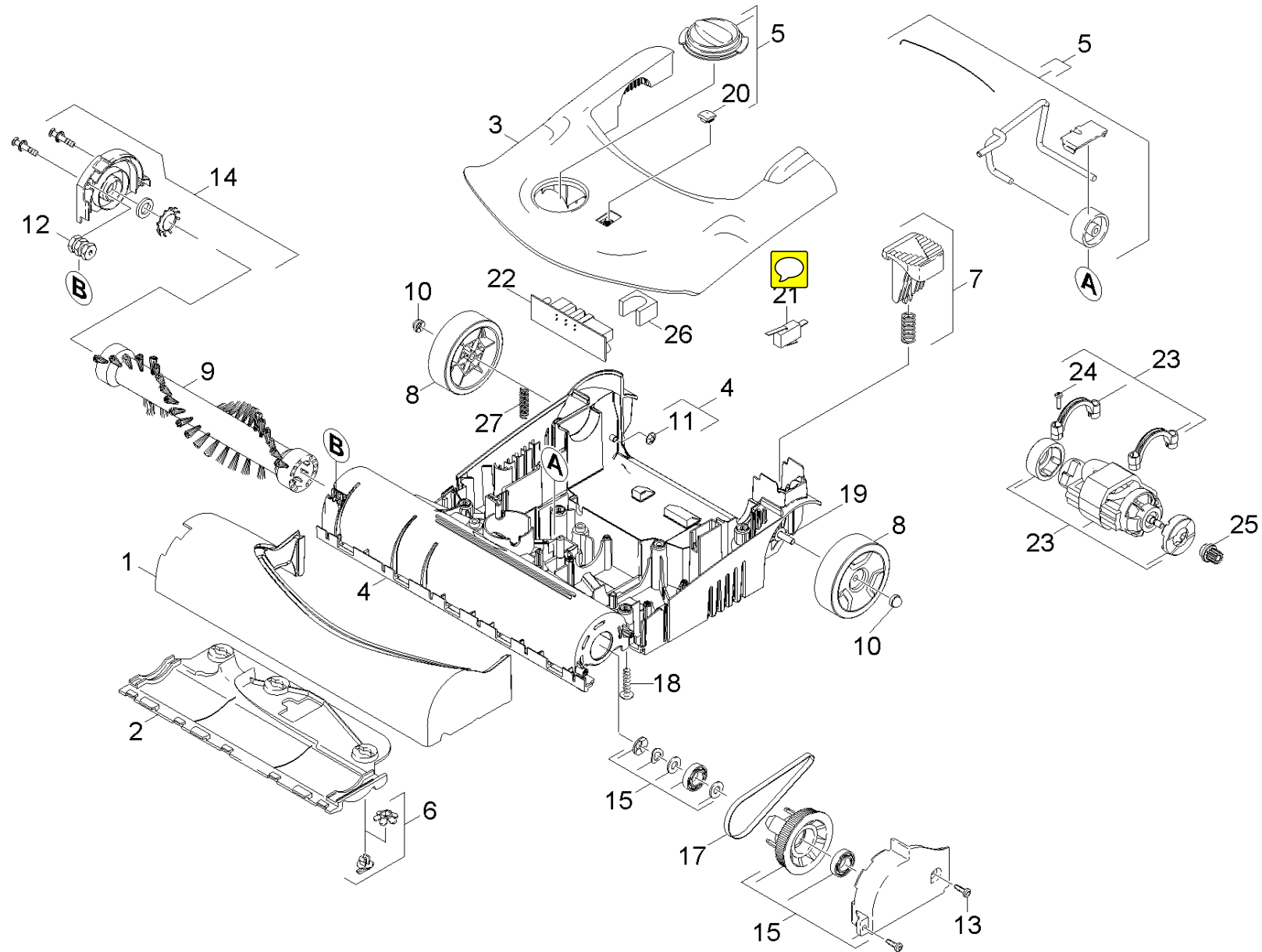


## 21 Brush-head

Overview technical documents/Professional/Vacuum cleaner/Dry vacuum cleaner/CV 38/2 \*EU (1.033-315.0)/Spare parts list CV 38/2, CV 48/2/20 Brush-head/21 Brush-head



## 21 Brush-head

Overview technical documents/Professional/Vacuum cleaner/Dry vacuum cleaner/CV 38/2 \*EU (1.033-315.0)/Spare parts list CV 38/2, CV 48/2/20 Brush-head/21 Brush-head

Rez.daļas/nodil.pakļ.daļas	Poz.	Materiāla Nr.	Nosaukums	Daudzums	Pārdoš. vienība	no sēr. Nr..	līdz sēr. Nr.
	1	5.032-456.0	Bumper CV 38/1	1.000	ST	0000000000	0000000000
X-X	2	5.033-455.0	Sliding bottom	1.000	ST	0000000000	0000000000
X-X	3	4.062-013.0	Housing top part complete	1.000	ST		
Pozīcijas teksts: 1.033-321.0 / -322.0 / -323.0							
X-X	3	4.062-008.0	Housing top part complete	1.000	ST	0000000000	0000000000
Pozīcijas teksts: 1.033-315.0 / -316.0 / -317.0 / -319.0							
X-X	4	4.062-007.0	Housing complete	1.000	ST	0000000000	0000000000
	5	4.515-316.0	Adjusting wheel complete	1.000	ST		
Pozīcijas teksts: 1.033-321.0 / -322.0 / -323.0							
X-X	5	4.515-311.0	Adjusting wheel	1.000	ST	0000000000	0000000000
Pozīcijas teksts: 1.033-315.0 / -316.0 / -317.0 / -319.0							
X-X	6	2.889-084.0	closure parts set	1.000	ST	0000000000	0000000000
X-X	7	4.481-265.0	Foot pedal complete	1.000	ST		
X-X	7	4.481-000.0	Foot pedal complete only for replacement	1.000	ST	0000000000	0000000000
X-X	8	5.515-374.0	Ritenis	2.000	ST	0000000000	0000000000
X-X	9	6.906-643.0	Ruļļveida birste, melna	1.000	ST	0000000000	0000000000
X-X	10	6.343-187.0	Sprostpaplāksne	2.000	ST	0000000000	0000000000
X-X	11	6.343-119.0	Sprostpaplāksne	2.000	ST	0000000000	0000000000
X	12	5.401-288.0	Skrūves savienotāja daļa	2.000	ST	0000000000	0000000000
	13	7.303-106.0	Skrūve 4x12 -10.9-R2R (IN6RD)	2.000	ST	0000000000	0000000000
X-X	14	4.063-892.0	Covering cap complete brush Aluminiumdru	1.000	ST	0000000000	0000000000
X-X	15	4.063-774.0	Covering cap complete belt	1.000	ST	0000000000	0000000000
X-X	17	6.348-460.0	Zobsiksna	1.000	ST	0000000000	0000000000
	18	6.303-200.0	Skrūve 5x25-IN6RD	8.000	ST	0000000000	0000000000
X-X	19	9.412-178.0	Ass	1.000	ST		

## 21 Brush-head

Overview technical documents/Professional/Vacuum cleaner/Dry vacuum cleaner/CV 38/2 \*EU (1.033-315.0)/Spare parts list CV 38/2, CV 48/2/20 Brush-head/21 Brush-head

Rez.daļas/nodil.pakļ.daļas	Poz.	Materiāla Nr.	Nosaukums	Daudzums	Pārdoš. vienība	no sēr. Nr..	līdz sēr. Nr.
	20	5.033-452.0	Lens	1.000	ST		
X-X	21	6.630-135.0	Mikroslēdzis	1.000	ST		
	22	6.682-291.0	Printed circuit board 230V	1.000	ST		
X-X	23	4.613-001.0	Motor complete	1.000	ST		
	24	7.303-096.0	Skrūve 4x22 -ST-10.9-R2R (IN6RD)	4.000	ST		
X-X	25	5.033-459.0	Pinion	1.000	ST		
	26	6.286-573.0	Protecting cap	1.000	ST		
	27	5.332-082.0	Spirālveida atspere	1.000	ST		