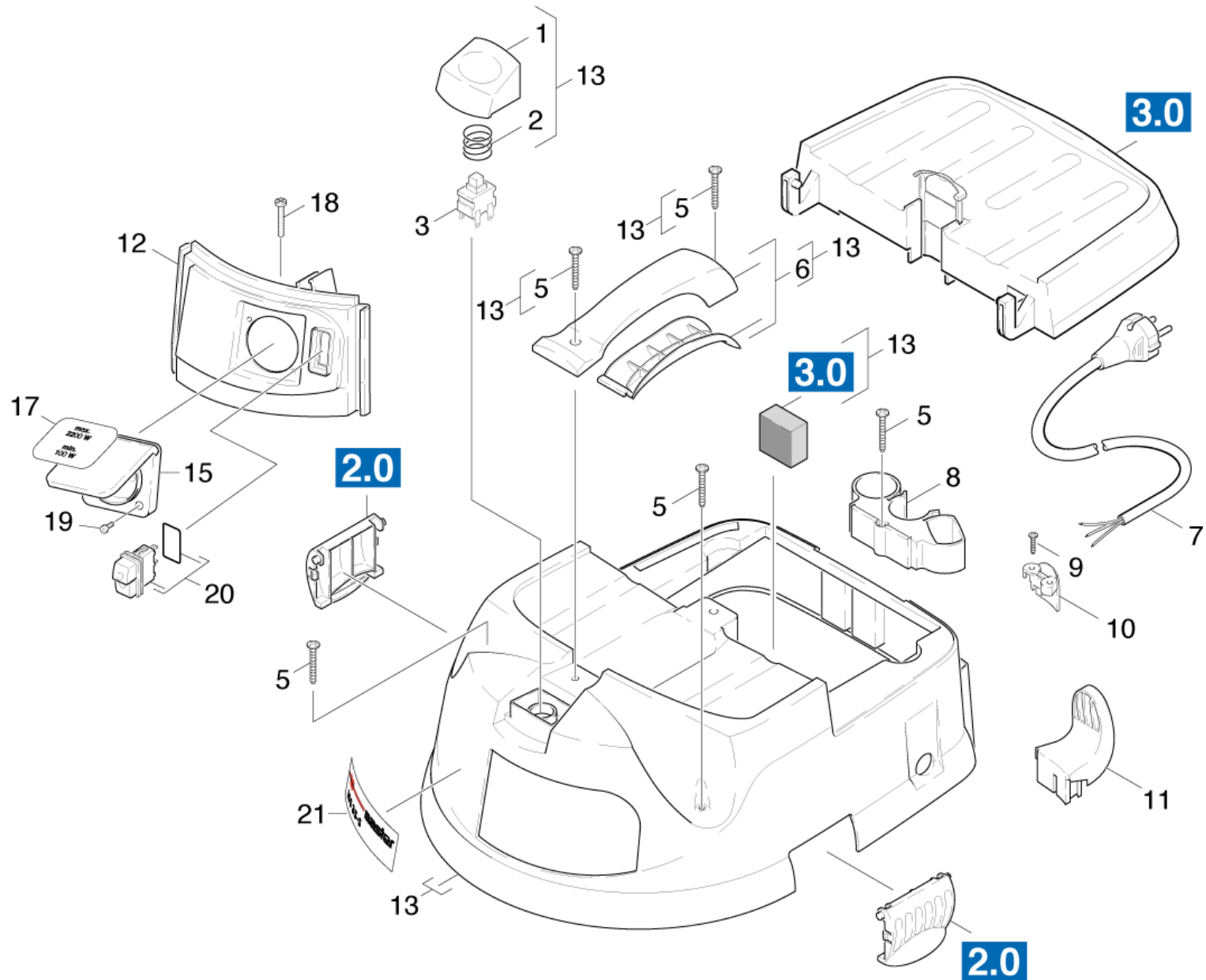


# 10 Cover individual parts

Professional \ Vacuum cleaner \ Wet-dry vacuum cleaner \ ISS 35 S \*EU \ Spare parts list ISS 35 S \ Cover individual parts



# 10 Cover individual parts

Professional \ Vacuum cleaner \ Wet-/dry vacuum cleaner \ ISS 35 S \*EU \ Spare parts list ISS 35 S \ Cover individual parts



POS	Article no.	Description	Quantity	Unit	Remark	Foot note text
1	5.324-060.0	Pushbutton red	1.000	ST		
	<b>Item text1:</b> / 1.184-281.0					
1	5.324-040.0	Pushbutton	1.000	ST		
	<b>Item text1:</b> / 1.184-291.0 / -292.0					
2	5.332-457.0	Spring switch	1.000	ST		
3	6.630-032.0	Switch	1.000	ST		
5	7.303-154.0	Screw 5x50 -A2-70 (In6Rd)	5.000	ST		
6	4.321-122.0	Handhold complete	1.000	ST		
7	6.648-273.0	Power cable 7,5m PVC *EU	1.000	ST	* EUR	for 1.184-291.0 FROM SERIAL NUMBER 385011
	<b>Item text1:</b> / 1.184-281.0 / -291.0					
7	6.649-385.0	Power cable 7,5m Gummi *EU	1.000	ST		for 1.184-291.0 FROM SERIAL NUMBER 404404
	<b>Item text1:</b> / 1.184-291.0					
7	6.648-276.0	Cable with plug *CH	1.000	ST	* CH	
	<b>Item text1:</b> / 1.184-292.0					
8	5.031-603.0	Holder accessories	1.000	ST		
9	7.303-205.0	Screw 4x16-St-10.9-R2R (In6Rd)	2.000	ST		
10	5.031-981.0	Strain relief ISS 55-S WUERTH	1.000	ST		
	<b>Item text1:</b> /1.184-291.0					
10	5.031-794.0	Strain relief TE	1.000	ST		
	<b>Item text1:</b> /1.184-281.0 / -292.0					
11	5.044-224.0	Holder cable	1.000	ST		
12	5.841-414.0	Control panel	1.000	ST		
13	4.066-318.0	Cover complete	1.000	ST		
	<b>Item text1:</b> / 1.184-281.0					
13	4.066-303.0	Cover complete ECO TE	1.000	ST		
	<b>Item text1:</b> / 1.184-291.0 / -292.0					
15	6.646-433.0	Plug socket *CH	1.000	ST		
	<b>Item text1:</b> / 1.184-292.0					
15	6.646-432.0	Plug socket *EUROPA	1.000	ST		
	<b>Item text1:</b> / 1.184-281.0 / -291.0					
17	5.380-908.0	Label (100-1100W) Wuerth	1.000	ST	* CH	
	<b>Item text1:</b> / 1.184-292.0					

## 10 Cover individual parts

Professional \ Vacuum cleaner \ Wet-/dry vacuum cleaner \ ISS 35 S \*EU \ Spare parts list ISS 35 S \ Cover individual parts



POS	Article no.	Description	Quantity	Unit	Remark	Foot note text
17	5.380-577.0	Label 2200W WUERTH	1.000	ST	* EUR	
	<b>Item text1:</b> / 1.184-281.0 / -291.0					
18	7.303-086.0	Screw 5x30 -10.9-R2R (K-In6Rd)	1.000	ST		
19	6.303-318.0	Screw 3,5x12-10.9-R2R (IN6RD)	2.000	ST		
20	6.630-191.0	Switch	1.000	ST		
21	7.777-999.0	Stockpiling discontinued	1.000	ST		
	<b>Item text1:</b> / 1.184-291.0 / -292.0					
21	5.384-451.0	Label ISS 35-S happy days	1.000	ST		
	<b>Item text1:</b> / 1.184-281.0					