

Spare parts list

(1.995-120.0) K 1701-O.BE *EU

Table of contents

K 1701-O.BE *EU (1.995-120.0)	3
1020 Spare parts list VAP K 1701 (5.955-671.0)	4
10 Appliance individual parts	5
11 Appliance top part	6
12 Appliance bottom part	9
13 Appliance bottom part	11
20 Steam drum	13
16 Spare parts set thermostat (4.744-110.0)	15
30 Hose	17
40 Extension	19
50 Brushes	21
60 Nozzle	23
1 Point jet nozzle complete PA (4.130-021.0)	25
70 Window nozzle special accessories (2.863-025.0)	27
80 Water filter	29
90 Smoothing iron	31
91 Smoothing iron	33
92 Smoothing iron	35
93 Smoothing iron	37
94 Smoothing iron	39
95 Smoothing iron	41
96 Smoothing iron	43
97 Smoothing iron	45
100 Nozzle for hangings	47

K 1701-O.BE *EU (1.995-120.0)

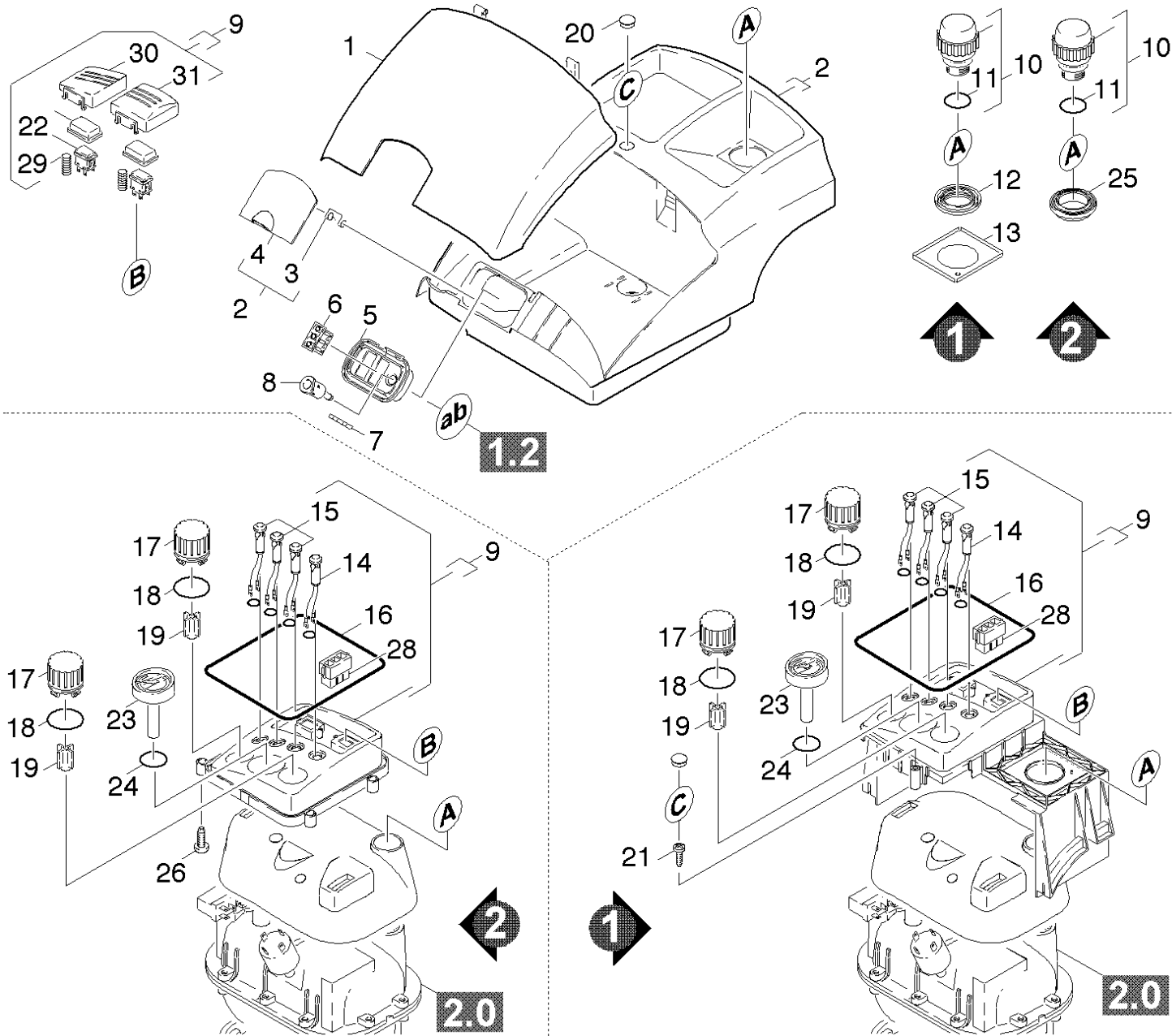
POS	Article no.	Description	Quantity	Unit
1020	5.955-671.0	Spare parts list VAP K 1701	1.000	ST
	Item text2: 19951200			

1020 Spare parts list VAP K 1701 (5.955-671.0)

POS	Article no.	Description	Quantity	Unit
10		Appliance individual parts	1.000	ST
20		Steam drum	1.000	ST
30		Hose	1.000	ST
40		Extension	1.000	ST
50		Brushes	1.000	ST
60		Nozzle	1.000	ST
70	2.863-025.0	Window nozzle special accessories	1.000	ST
80		Water filter	1.000	ST
90		Smoothing iron	1.000	ST
100		Nozzle for hangings	1.000	ST

10 Appliance individual parts

POS	Description	Quantity	Unit	Remark
11	Appliance top part	1.000	ST	
12	Appliance bottom part	1.000	ST	VERS.1+2
13	Appliance bottom part	1.000	ST	VERS.3

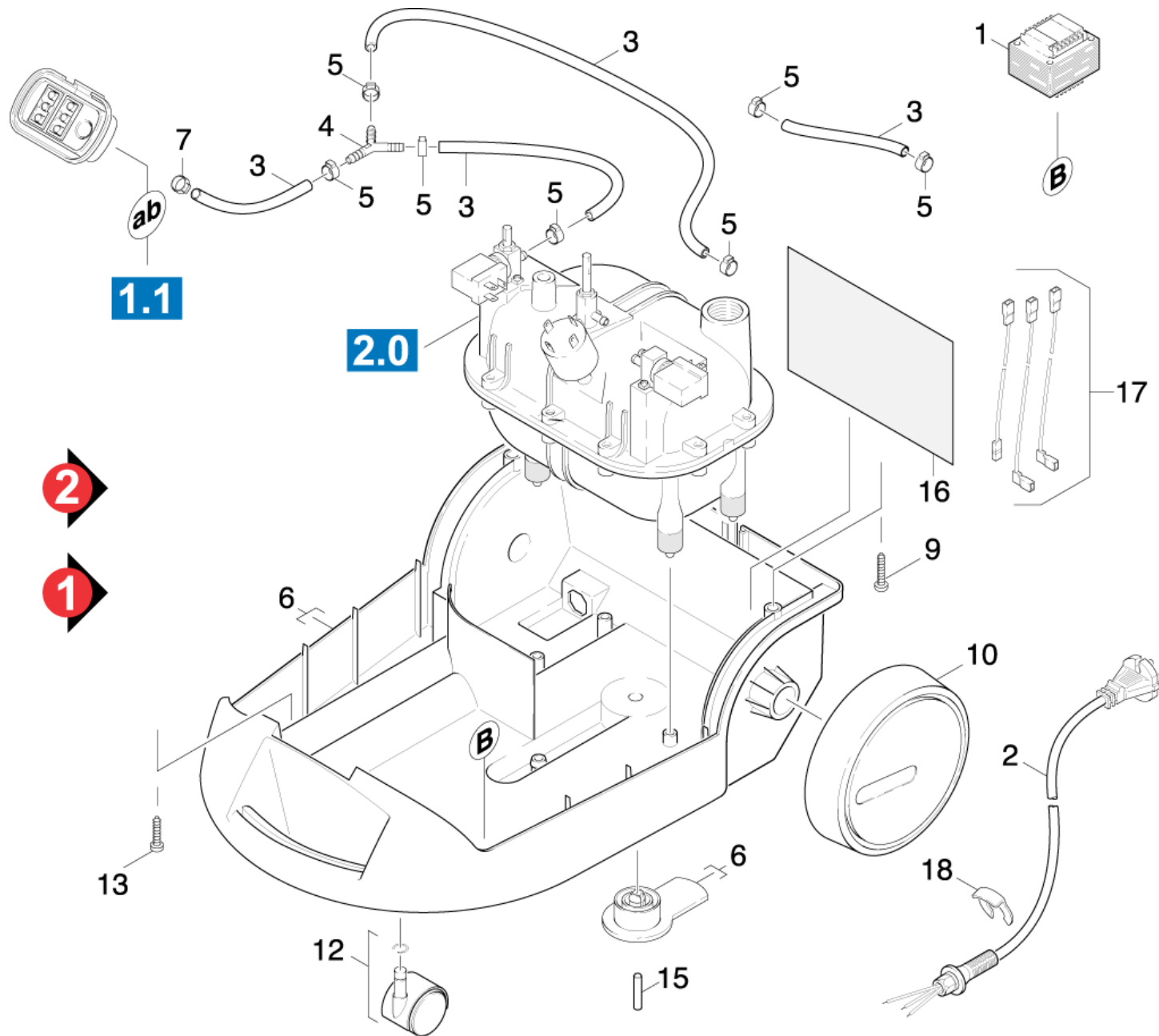


11 Appliance top part

POS	Article no.	Description	Quantity	Unit	Serial number from	Serial number to	Remark	Foot note text
1	5.067-026.0	Cover VAP K 1701	1.000	ST			KORNGELB	GELB
1	7.777-999.0	Stockpiling discontinued	1.000	ST				GRAU
2	4.066-292.0	Top part with cover NEU-grau	1.000	ST	231890		VERS.2	GRAU
2	4.066-323.0	Top part with cover Neu-korngelb	1.000	ST	231890		KORNGELB VERS.2	KORNGELB
2	4.066-236.0	Top part with cover ALT-grau	1.000	ST		231889	VERS.1 KORNGELB	KORNGELB
2	4.066-236.0	Top part with cover ALT-grau	1.000	ST		231889	VERS.1	GRAU
3	5.332-343.0	Torsion spring cover	1.000	ST				
4	5.063-823.0	Cover	1.000	ST			KORNGELB	GELB
4	5.063-620.0	Cover	1.000	ST				GRAU
5	5.031-262.0	Plug socket	1.000	ST				
6	6.600-105.0	Plug socket element black	2.000	ST				
7	5.363-364.0	Seal	1.000	ST				
8	5.409-514.0	Nipple	1.000	ST				
9	7.777-999.0	Stockpiling discontinued	1.000	ST		231890	VERS.1	
9	4.840-005.0	Switch desk complete K1701 Neu	1.000	ST	231890		VERS.2	
10	4.590-075.0	Safety lock	1.000	ST				
11	6.362-927.0	O-Ring seal 21,89X 2,62 -EPDM	1.000	ST				
12	5.363-371.0	Seal	1.000	ST			VERS.1	
13	5.047-352.0	Sheet metal component	1.000	ST			VERS.1	
14	6.651-322.0	Pilot lamp red	1.000	ST				
15	6.651-337.0	Pilot lamp yellow	3.000	ST				
16	5.363-347.0	Seal	1.000	ST				
17	5.321-471.0	Turning knob	2.000	ST				
18	6.362-522.0	O-Ring seal 24,0 X 2,0	2.000	ST				

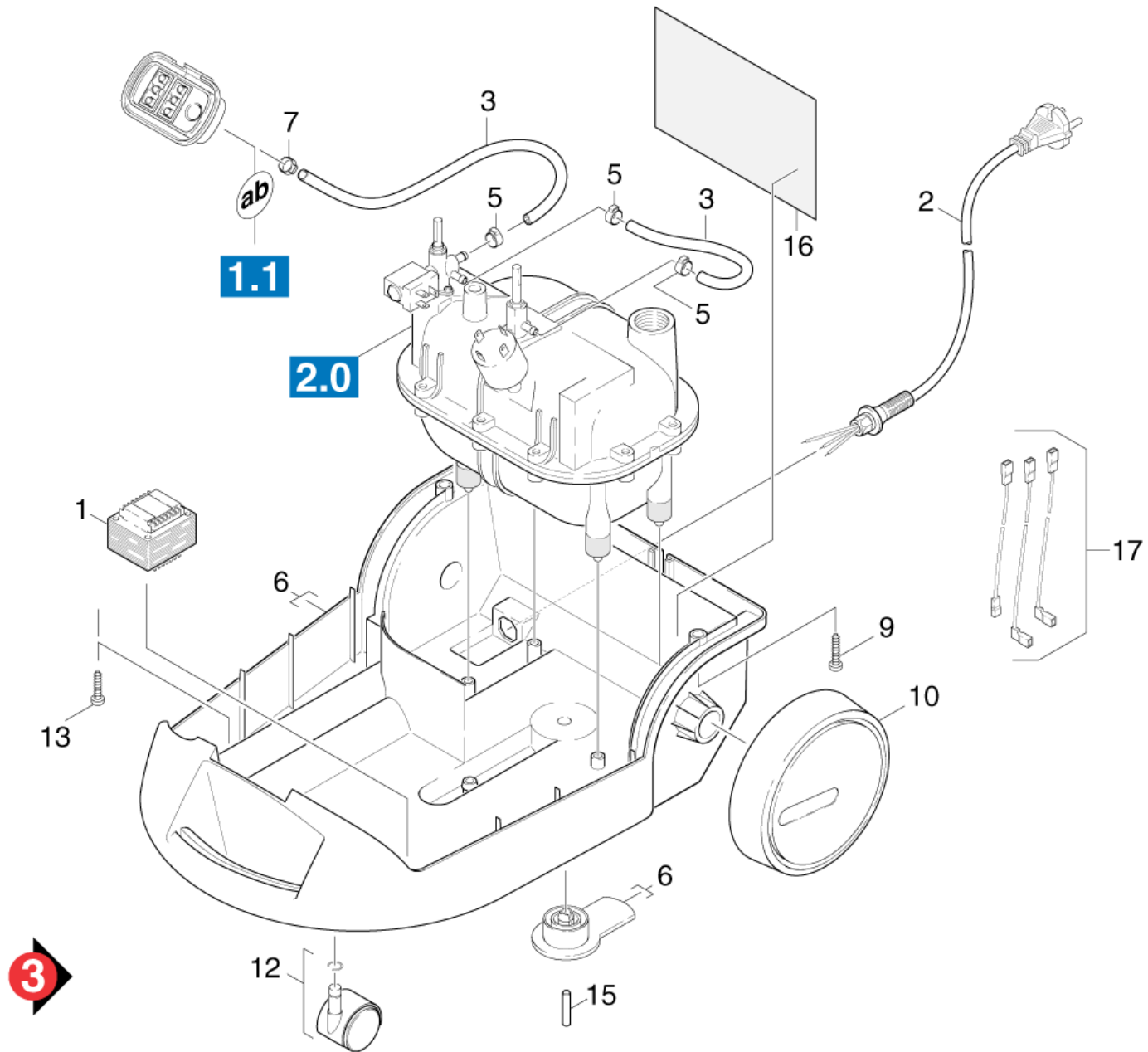
11 Appliance top part

POS	Article no.	Description	Quantity	Unit	Serial number from	Serial number to	Remark	Foot note text
19	5.321-485.0	Handhold turret	2.000	ST				
20	5.031-633.0	Cap	1.000	ST			KORNGELB	GELB
20	5.031-196.0	Cap	1.000	ST				GRAU
21	7.303-109.0	Screw 5x25 -10.9-R2R (In6Rd)	1.000	ST			VERS. 1	
22	6.631-944.0	Switch	2.000	ST				
23	6.423-064.0	Temperature gauge pointer	1.000	ST				
24	6.362-411.0	O-Ring seal 25,0 X 2,0 -NBR 70	1.000	ST				
25	5.363-537.0	Seal	1.000	ST			VERS.2	
26	7.303-095.0	Screw 4x 12-ST-10.9-R2R (IN6RD)	4.000	ST			VERS.2	
28	6.647-657.0	Plug male part	1.000	ST				
29	6.330-016.0	Spring	2.000	ST				
30	5.324-049.0	Pushbutton small	1.000	ST	231890		VERS.2	
31	5.324-048.0	Pushbutton large	1.000	ST		231890	VERS.1	



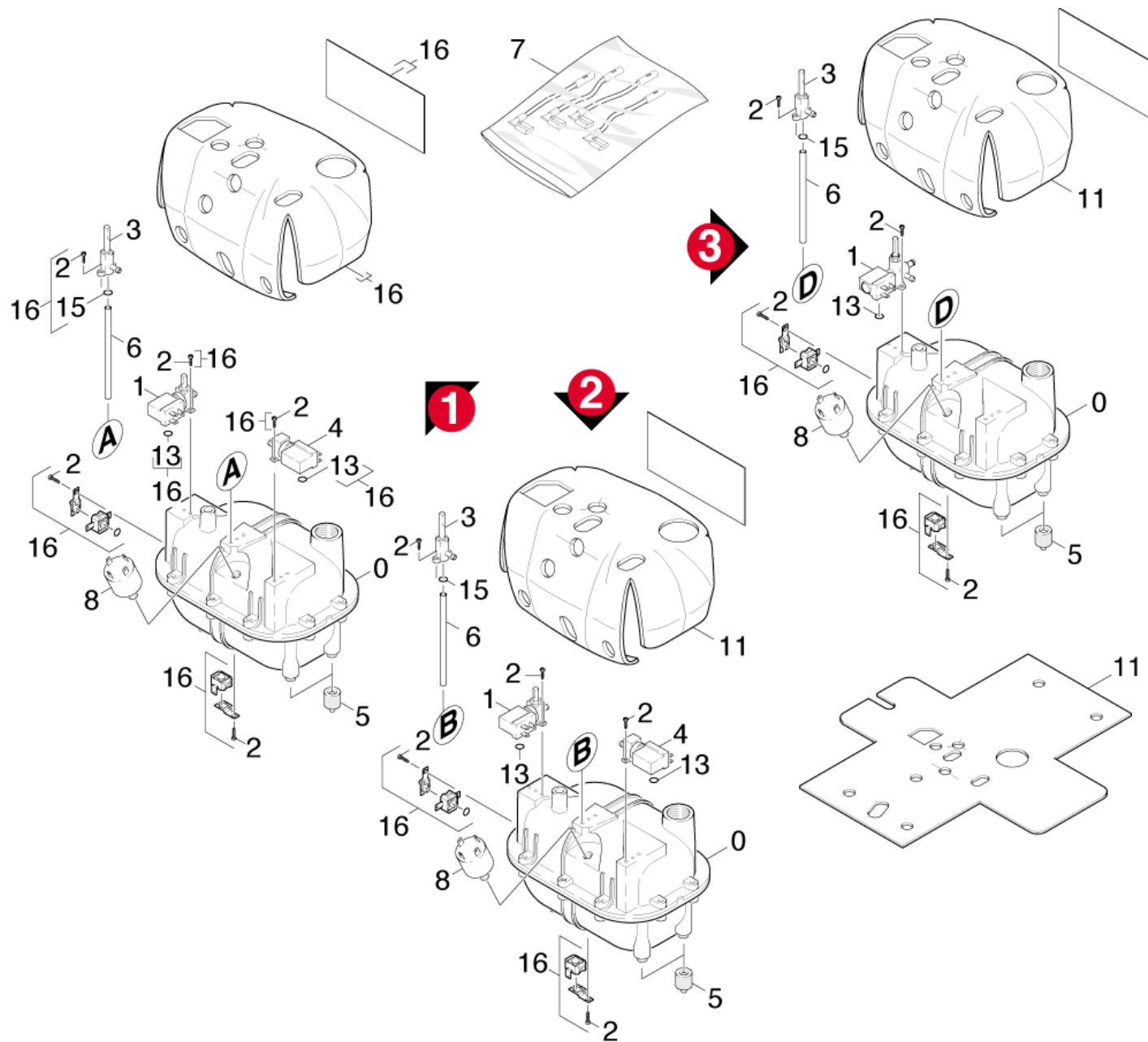
12 Appliance bottom part

POS	Article no.	Description	Quantity	Unit	Foot note text
1	6.622-184.0	Transformer 10VA 230V	1.000	ST	
2	6.647-704.0	Cable with plug *DK	1.000	ST	
	Item text1: / 1.995-350.0 / -950.0				
2	7.777-999.0	Stockpiling discontinued	1.000	ST	
	Item text1: / 1.995-290.0 / -401.0 / -403.0				
	Item text2: / -930.0				
2	6.647-498.0	Cable with plug *EU	1.000	ST	
	Item text1: / 1.995-120.0 / -400.0 / -402.0				
	Item text2: / -900.0				
3	6.389-862.0	Hose silicon DN4	1.000	M	ALS METERWARE BESTELLEN
4	6.905-549.0	Y-Bushing	1.000	ST	
5	6.389-993.0	Hose clip 7,5 - 9,0	8.000	ST	
6	4.060-347.0	Housing bottom part complete	1.000	ST	
7	6.389-882.0	Hose clip 8,5-10,0	1.000	ST	
9	7.303-109.0	Screw 5x25 -10.9-R2R (In6Rd)	2.000	ST	
10	5.515-076.0	Wheel	2.000	ST	
12	6.435-250.0	Castor	1.000	ST	
13	6.303-122.0	M4 .2X13 DIN 7981 TORX T15 PAN HD HI/LO	2.000	ST	
15	7.314-111.0	Straight pin 6m6x20-St ISO 2338	1.000	ST	
16	5.192-032.0	Plate	1.000	ST	
17	6.648-080.0	Cable set repair	1.000	ST	
18	6.343-170.0	Retaining clip	1.000	ST	



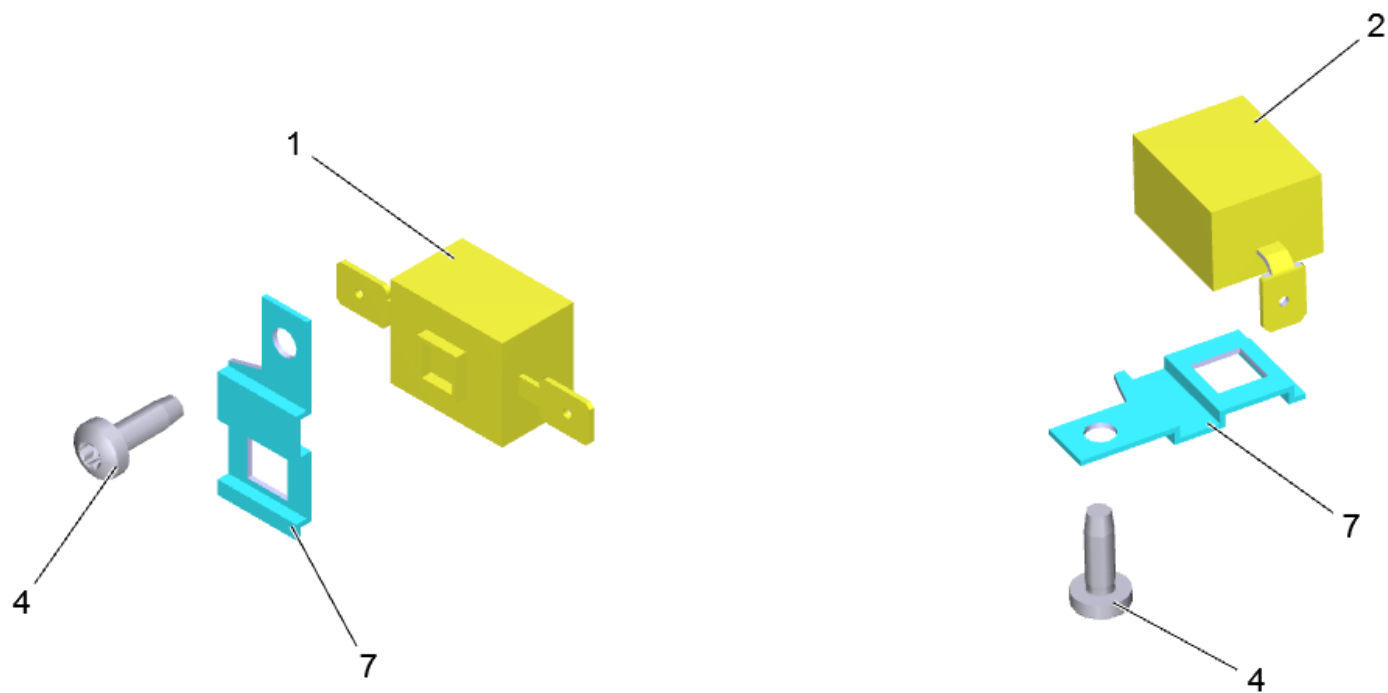
13 Appliance bottom part

POS	Article no.	Description	Quantity	Unit	Foot note text
1	6.622-184.0	Transformer 10VA 230V	1.000	ST	
2	6.647-704.0	Cable with plug *DK	1.000	ST	
	Item text1: / 1.995-350.0 / -950.0				
2	7.777-999.0	Stockpiling discontinued	1.000	ST	
	Item text1: / 1.995-290.0 / -401.0 / -403.0				
	Item text2: / -930.0				
2	6.647-498.0	Cable with plug *EU	1.000	ST	
	Item text1: / 1.995-120.0 / -400.0 / -402.0				
	Item text2: / -900.0				
3	6.389-862.0	Hose silicon DN4	1.000	M	ALS METERWARE BESTELLEN
5	6.389-993.0	Hose clip 7,5 - 9,0	3.000	ST	
6	4.060-347.0	Housing bottom part complete	1.000	ST	
7	6.389-882.0	Hose clip 8,5-10,0	1.000	ST	
9	7.303-109.0	Screw 5x25 -10.9-R2R (In6Rd)	2.000	ST	
10	5.515-076.0	Wheel	2.000	ST	
12	6.435-250.0	Castor	1.000	ST	
13	6.303-122.0	M4 .2X13 DIN 7981 TORX T15 PAN HD HI/LO	2.000	ST	
15	7.314-111.0	Straight pin 6m6x20-St ISO 2338	1.000	ST	
16	5.192-032.0	Plate	1.000	ST	
17	6.648-080.0	Cable set repair	1.000	ST	



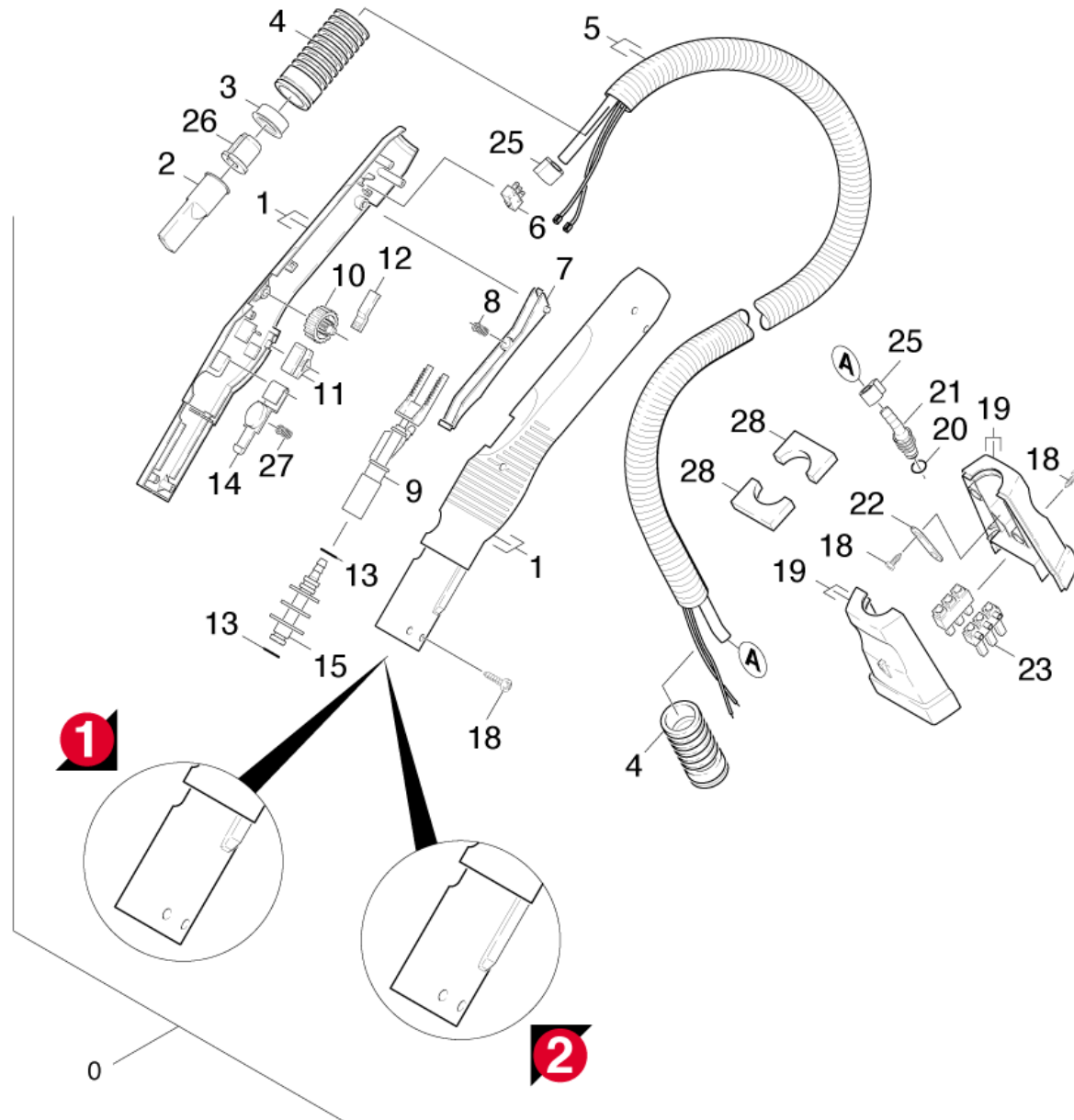
20 Steam drum

POS	Article no.	Description	Quantity	Unit	Remark	Foot note text
0	4.070-371.0	Boiler complete only for replacement *E	1.000	ST	VERS. 1+2	
0	4.070-323.0	Boiler complete	1.000	ST	VERS. 3	"OHNE POS.4"
1	7.777-999.0	Stockpiling discontinued	1.000	ST	VERS. 1+2	
1	6.686-129.0	Solenoid valve	1.000	ST	VERS. 3	
2	7.303-032.0	Screw M4x12 -St-R2R (In6Rd)	6.000	ST		
3	6.686-006.0	Control valve mechanical	1.000	ST		
4	6.686-008.0	Solenoid valve	1.000	ST	VERS. 1+2	
5	5.767-006.0	Rubber buffer	4.000	ST		
6	5.028-765.0	Tube hotwater	1.000	ST		
7	6.648-438.0	Cable set repair	1.000	ST		
8	6.412-280.3	Pressure controller	1.000	ST		
11	5.673-119.0	Insulating	1.000	ST		
13	6.362-922.0	O-Ring seal 8,73x1,78	1.000	ST	VERS. 3	
13	2.881-023.0	Set of gaskets	1.000	ST	VERS. 1+2	
15	6.362-186.0	O-Ring seal 7,65X 1,78	1.000	ST		
16	4.744-122.0	Conversion kit thermostat	1.000	ST	VERS. 1	ISOL.: GLASWOLLE OCKERFARBEN
16	4.744-110.0	Spare parts set thermostat	1.000	ST	VERS. 2	ISOL.: SCHAUMST. WEISS + DUNKELGRAUER BESCHICHTUNG



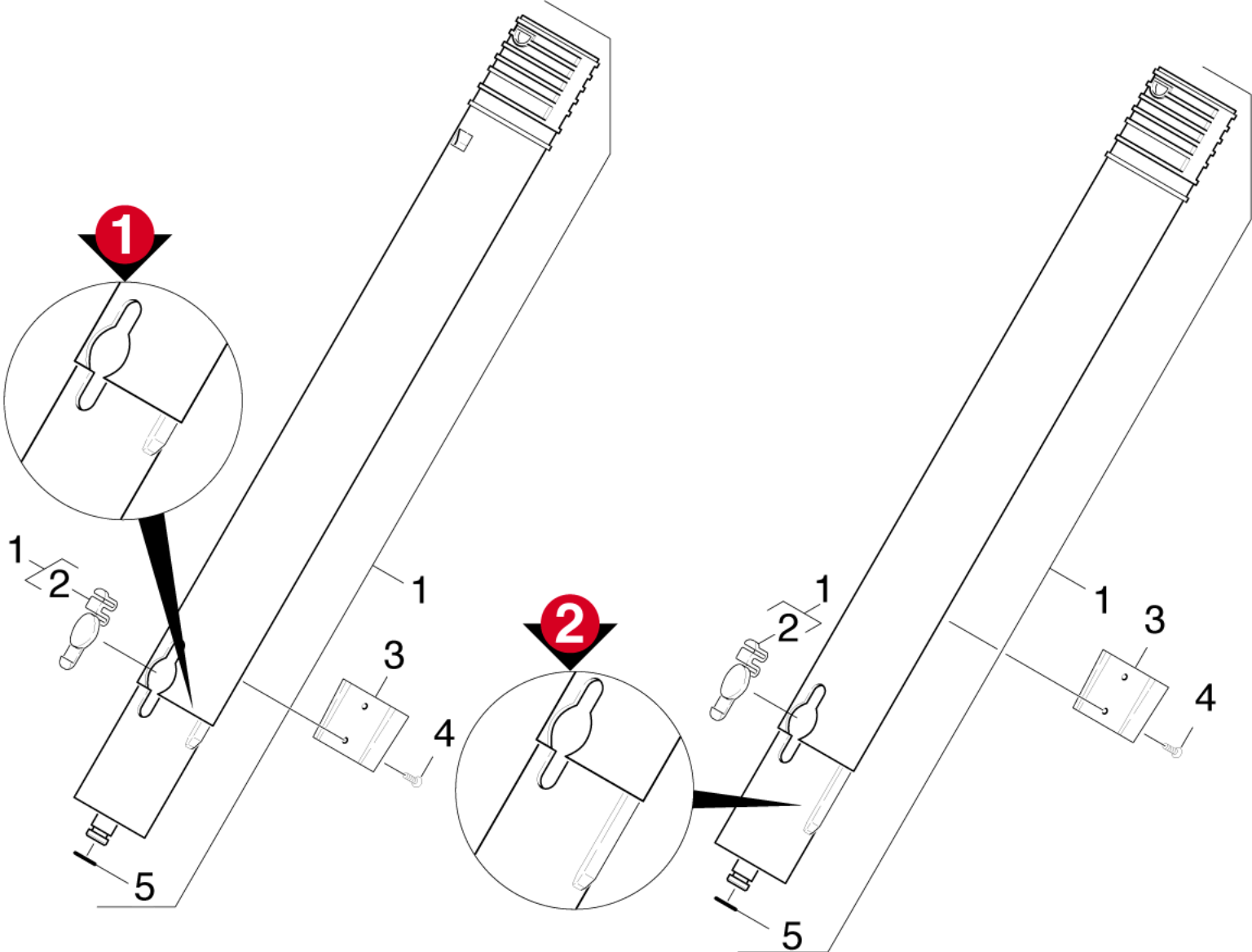
16 Spare parts set thermostat (4.744-110.0)

POS	Article no.	Description	Quantity	Unit
1	6.631-990.0	Thermostat	1.000	ST
2	6.631-991.0	Thermostat water deficiency	1.000	ST
4	7.303-032.0	Screw M4x12 -St-R2R (In6Rd)	2.000	ST
7	5.048-140.0	Holder INTERCONTROL	2.000	ST



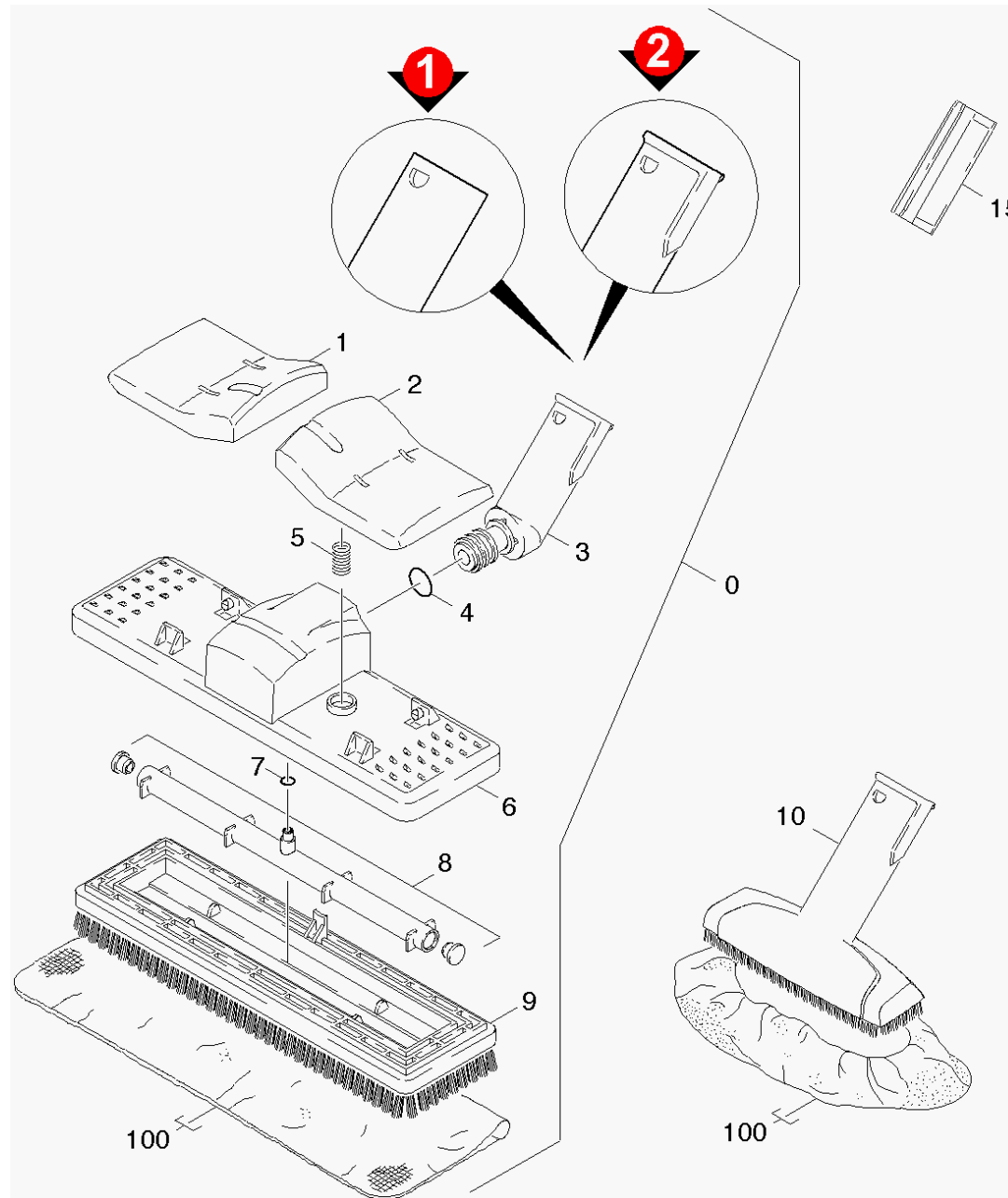
30 Hose

POS	Article no.	Description	Quantity	Unit	Remark
0	2.638-745.0	Exchange parts set accessories K1701	1.000	ST	VERS. 1
0	4.321-114.0	Steam hose complete black RAL 9005	1.000	ST	VERS. 2
1	7.777-999.0	Stockpiling discontinued	1.000	ST	VERS. 1
1	5.321-510.0	Handhold few grey RAL 7004	1.000	ST	VERS. 2
2	5.367-024.0	Diaphragm	1.000	ST	
3	5.367-025.0	Ring diaphragm	1.000	ST	
4	5.394-374.0	Protection part	2.000	ST	
5	4.440-603.0	Hose complete black nur fuer Ersatz	1.000	ST	
6	6.631-802.0	Micro switch	1.000	ST	
7	5.324-029.0	Pushbutton	1.000	ST	
8	5.332-168.0	Pressure spring	1.000	ST	
9	4.580-368.0	Valve complete	1.000	ST	
10	5.322-010.0	Hand wheel	1.000	ST	
11	5.031-064.0	Slider	1.000	ST	
12	5.031-125.0	Notch	1.000	ST	
13	6.362-922.0	O-Ring seal 8,73x1,78	2.000	ST	
14	5.037-102.0	Hook	1.000	ST	
15	4.471-001.0	Coupling element complete only for repla	1.000	ST	
18	6.303-058.0	Oval head screw 2,9X 13-ST-VERZ	10.000	ST	
19	5.031-060.0	Plug shells	1.000	ST	
20	6.362-923.0	O-Ring seal 6,75X 1,78	1.000	ST	
21	5.409-515.0	Nipple for steam hose	1.000	ST	
22	6.647-513.0	Strain relief	1.000	ZST	
23	6.646-325.0	Plug element	2.000	ST	
25	6.389-884.0	Hose clip 11,8	2.000	ST	
26	5.031-123.0	Strain relief	1.000	ST	
27	5.332-373.0	Helical spring	1.000	ST	
28	5.364-174.0	Flat gasket	2.000	ST	



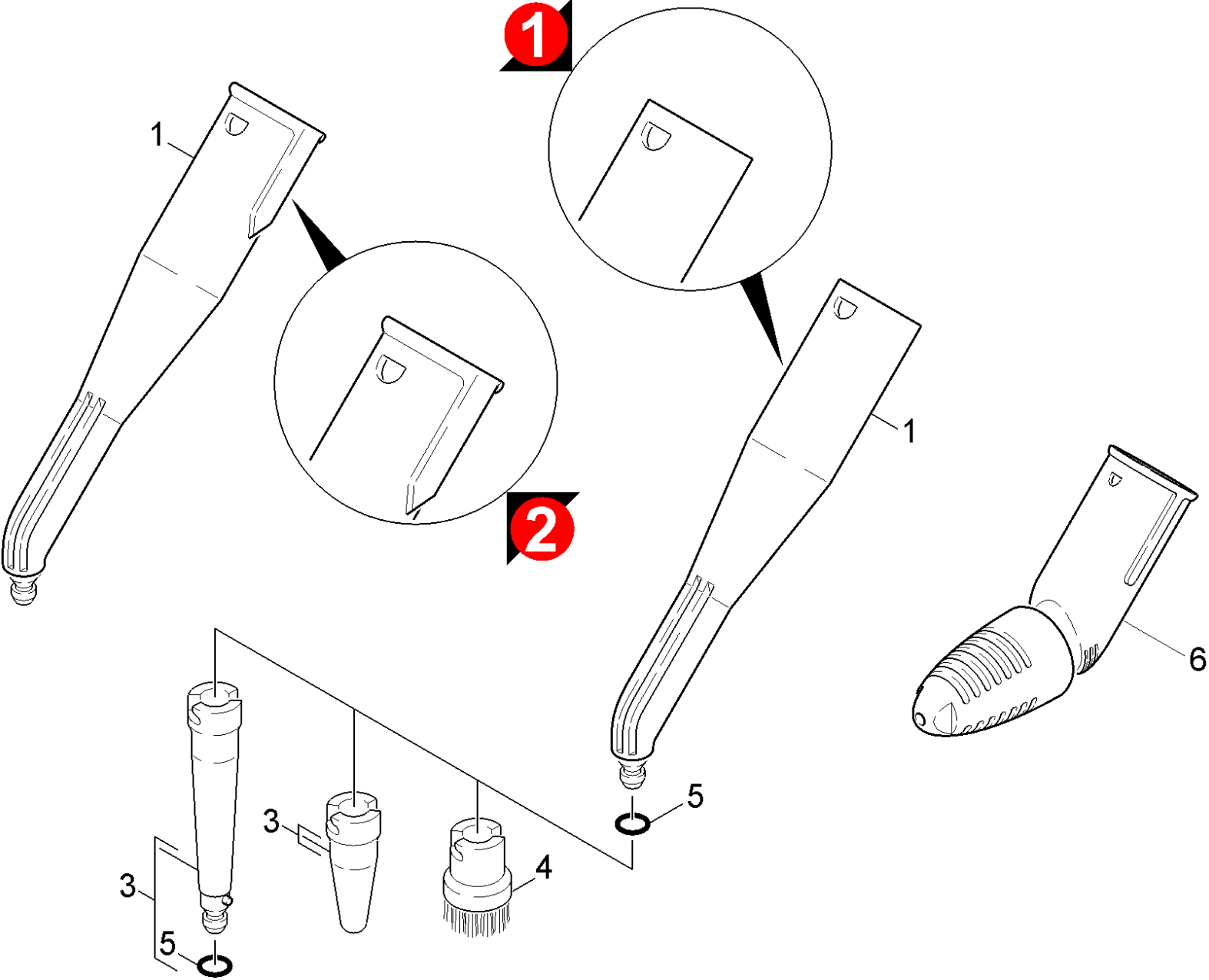
40 Extension

POS	Article no.	Description	Quantity	Unit	Remark
1	7.777-999.0	Stockpiling discontinued	2.000	ST	VERS. 2
1	7.777-999.0	Stockpiling discontinued	2.000	ST	VERS. 1
2	5.037-103.0	Snap-fit	2.000	ST	
3	5.042-873.0	Holder	1.000	ST	
4	7.303-119.0	Countersunk screw 3x10 -10.9-R2R (In6Rd	2.000	ST	
5	6.362-922.0	O-Ring seal 8,73x1,78	2.000	ST	



50 Brushes

POS	Article no.	Description	Quantity	Unit	Remark
0	7.777-999.0	Stockpiling discontinued	1.000	ST	VERS. 1
0	7.777-999.0	Stockpiling discontinued	1.000	ST	VERS. 2
1	5.042-940.0	Holder grey RAL 7004	1.000	ST	VERS. 2
2	5.042-939.0	Holder	1.000	ST	VERS. 2
3	5.408-053.0	Tube elbow grey RAL 7004	1.000	ST	VERS. 2
3	7.777-999.0	Stockpiling discontinued	1.000	ST	VERS. 1
4	6.362-883.0	O-Ring seal 18,0 X 2,5-EPDM	2.000	ST	
5	6.330-016.0	Spring	2.000	ST	
6	5.768-037.0	Housing nozzle	1.000	ST	VERS. 1
6	5.768-047.0	Housing nozzle grey RAL 7004	1.000	ST	VERS. 2
7	6.362-881.0	O-Ring seal 6,07X 1,78 -EPDM	1.000	ST	
8	5.768-038.0	Nozzle body	1.000	ST	
9	5.762-135.0	Brush insert	1.000	ST	
10	2.884-280.0	Hand nozzle	1.000	ST	
15	5.031-467.0	Moulded part	1.000	ST	
100	6.960-019.0	Cloth set	1.000	ST	



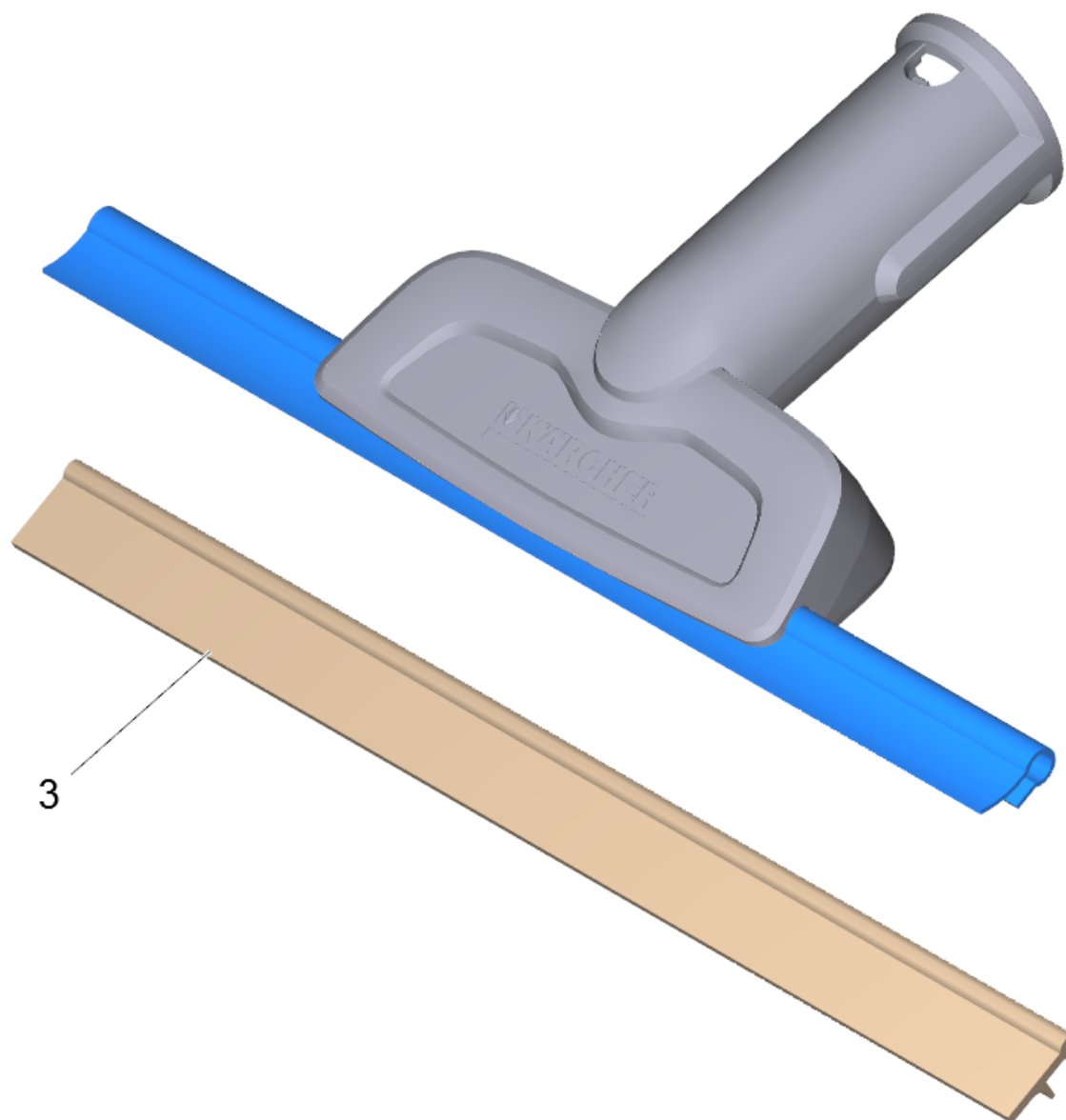
60 Nozzle

POS	Article no.	Description	Quantity	Unit	Remark	Foot note text
1	4.130-021.0	Point jet nozzle complete PA	1.000	ST	VERSION 2	
1	5.130-167.0	Point jet nozzle	1.000	ST	VERSION 1	
3	2.863-263.0	Power nozzle set	1.000	ST		
4	2.863-264.0	Round brushes set	1.000	ST		STANDARD
4	2.863-061.0	Bristle rink set CuZn	1.000	ST		ALTERNATIVE
5	6.362-924.0	O-Ring seal 6,02X 2,62	2.000	ST		
6	7.777-999.0	Stockpiling discontinued	1.000	ST		
	Item text1: / 1.995-120.0 / -900.0 / -901.0					



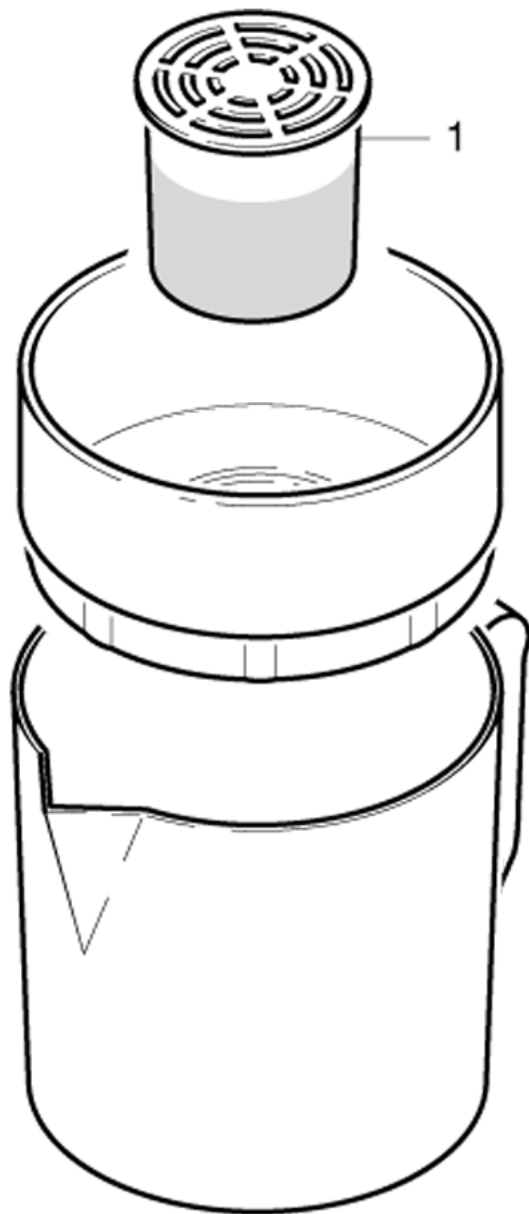
1 Point jet nozzle complete PA (4.130-021.0)

POS	Article no.	Description	Quantity	Unit
2	6.362-186.0	O-Ring seal 7,65X 1,78	1.000	ST



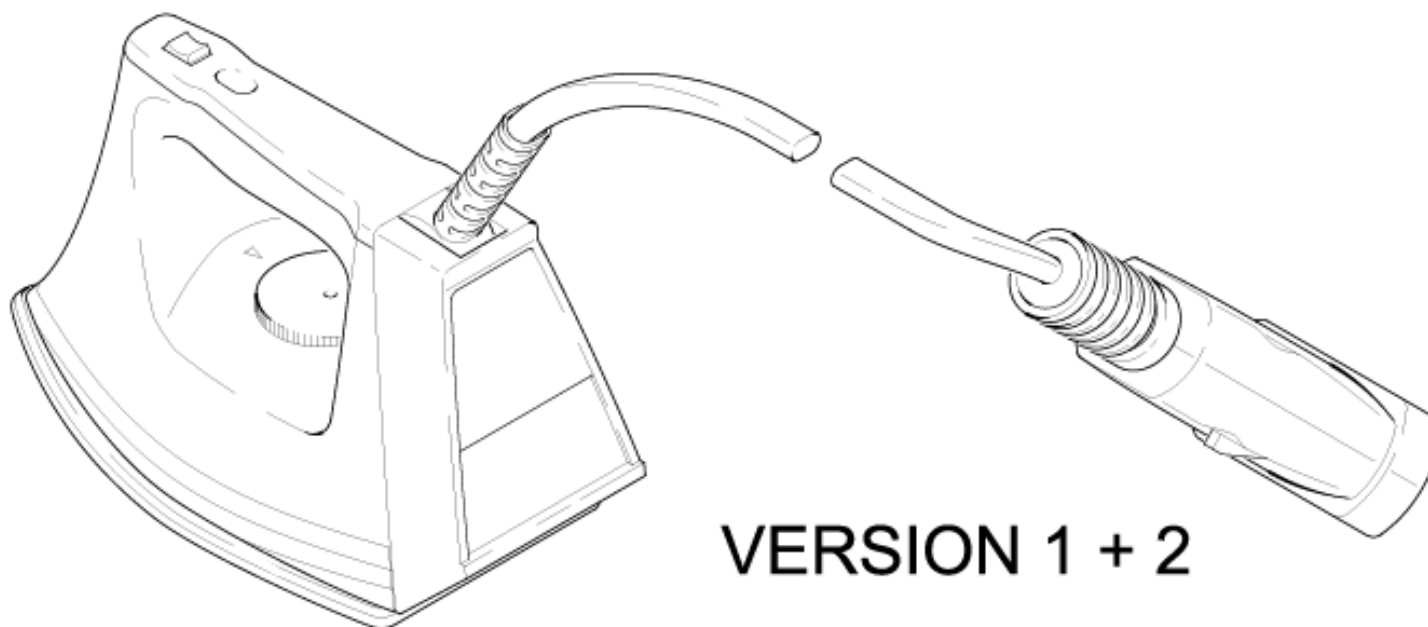
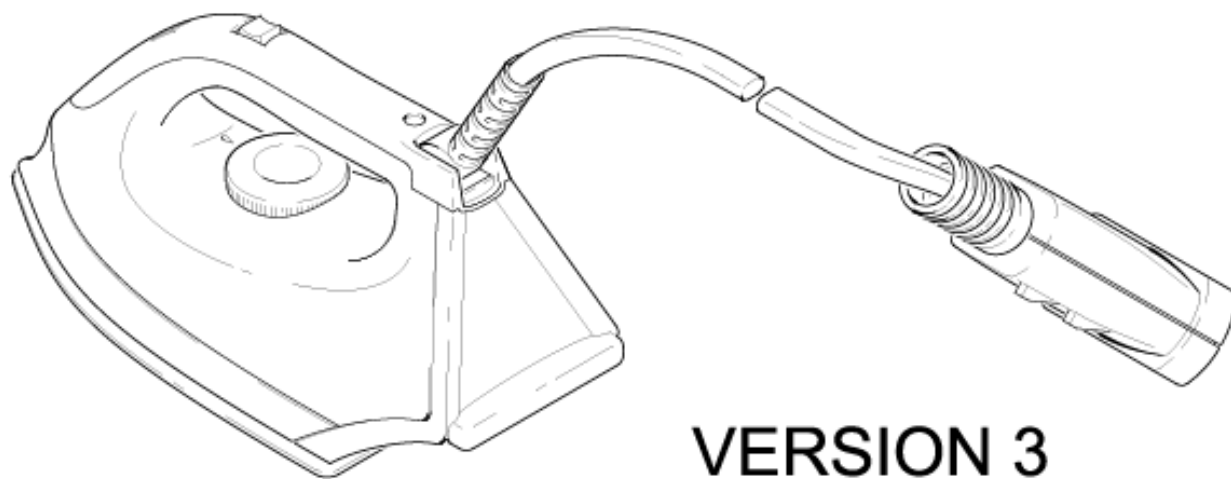
70 Window nozzle special accessories (2.863-025.0)

POS	Article no.	Description	Quantity	Unit
3	5.512-125.0	Rubber lip	1.000	ST



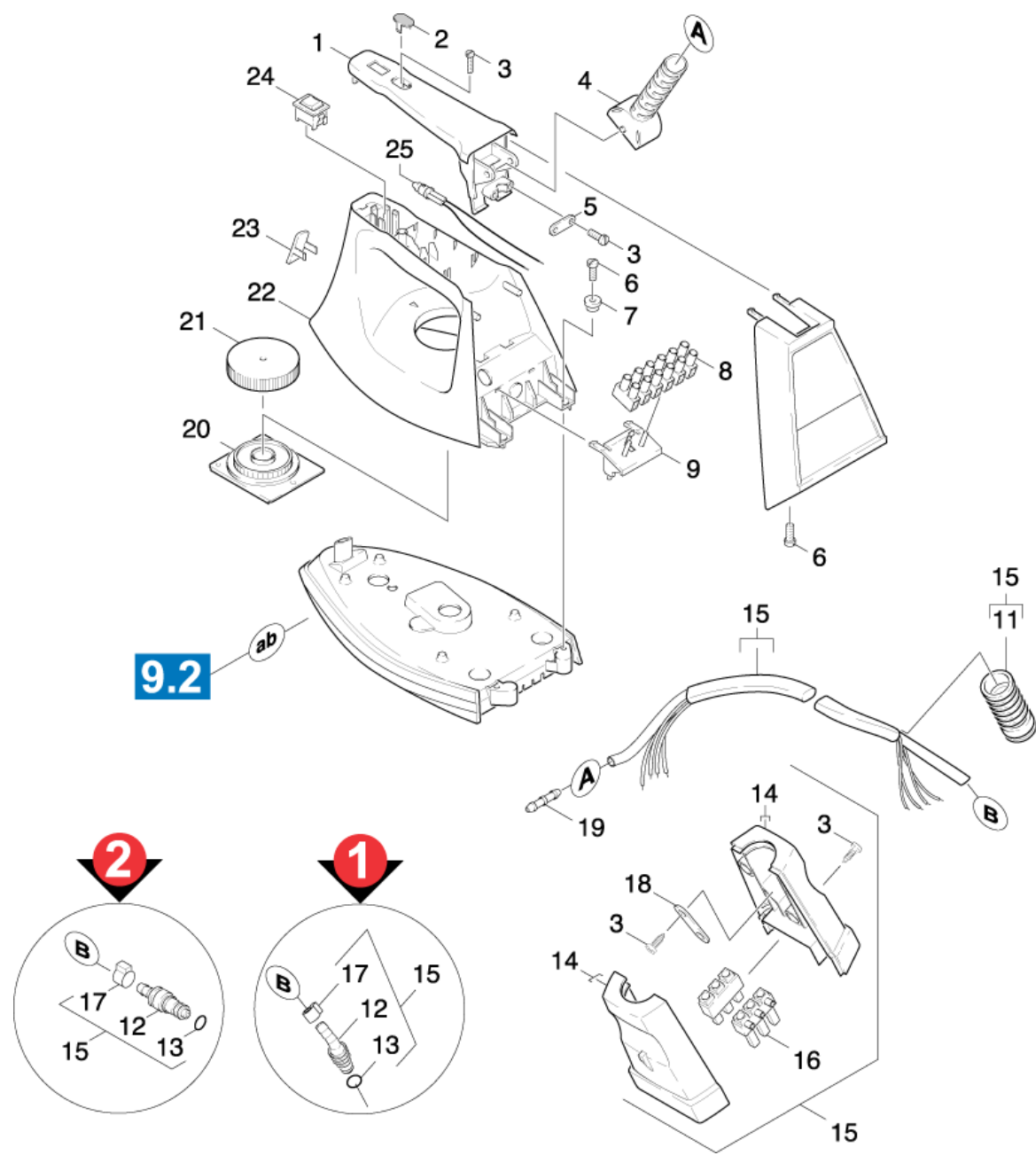
80 Water filter

POS	Article no.	Description	Quantity	Unit
1	7.777-999.0	Stockpiling discontinued	1.000	ST



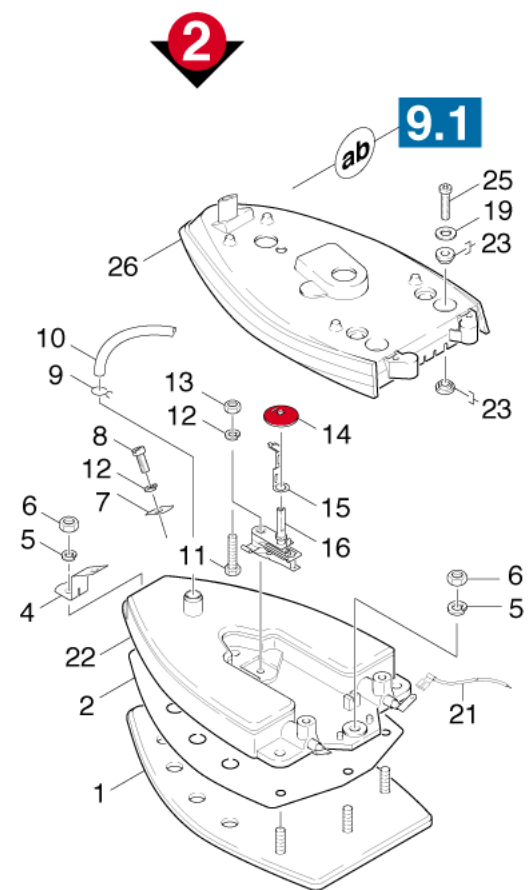
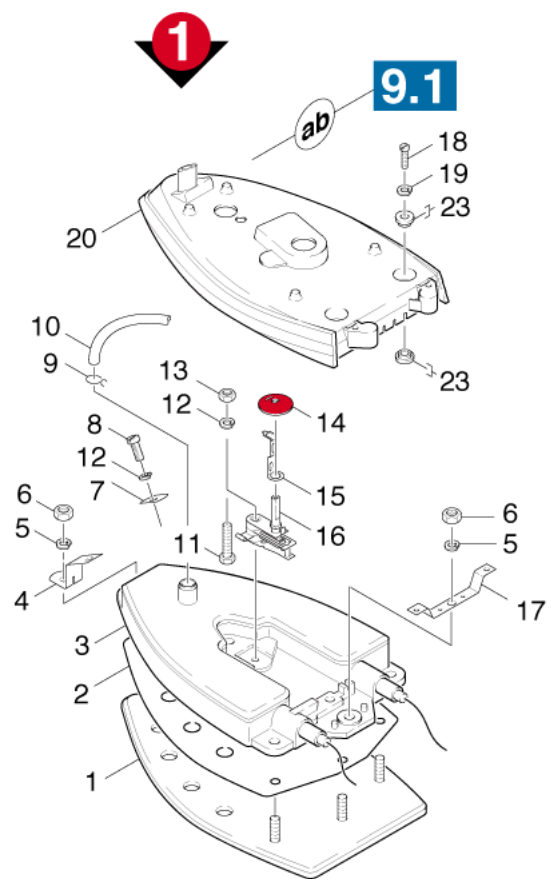
90 Smoothing iron

POS	Description	Quantity	Unit	Remark
91	Smoothing iron	1.000	ST	VERSION 1
92	Smoothing iron	1.000	ST	VERSION 2
93	Smoothing iron	1.000	ST	VERSION 3
94	Smoothing iron	1.000	ST	VERSION 4
95	Smoothing iron	1.000	ST	VERSION 5
96	Smoothing iron	1.000	ST	VERSION 6
97	Smoothing iron	1.000	ST	



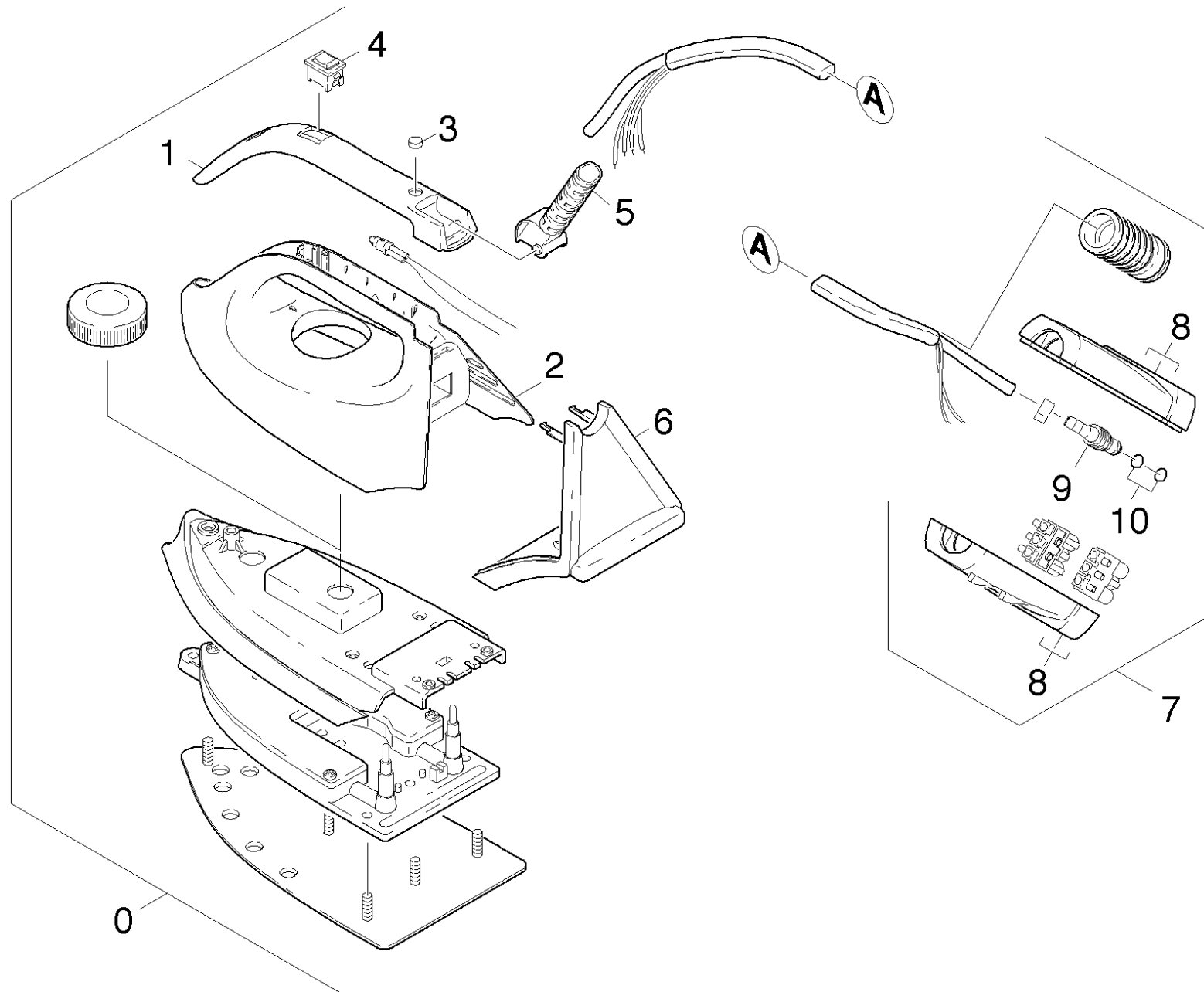
91 Smoothing iron

POS	Article no.	Description	Quantity	Unit	Remark
0	2.884-503.0	BE with packing I 6002	1.000	ST	
1	6.960-104.0	Covering cap handhold LGR	1.000	ST	
2	7.777-999.0	Stockpiling discontinued	1.000	ST	
3	6.303-058.0	Oval head screw 2,9X 13-ST-VERZ	8.000	ST	
4	6.960-106.0	Kink-protection sleeve	1.000	ST	
5	7.777-999.0	Stockpiling discontinued	1.000	ST	
6	7.303-363.0	Sheet metal screw ST3,5X16,0-A2-20H-C-H	4.000	ST	
7	7.777-999.0	Stockpiling discontinued	2.000	ST	
8	7.777-999.0	Stockpiling discontinued	1.000	ST	
9	7.777-999.0	Stockpiling discontinued	1.000	ST	
11	5.394-374.0	Protection part	1.000	ST	
12	5.553-339.0	Piston	1.000	ST	VERSION 2
12	5.409-515.0	Nipple for steam hose	1.000	ST	VERSION 1
13	6.362-923.0	O-Ring seal 6,75X 1,78	1.000	ST	
14	5.031-060.0	Plug shells	1.000	ST	
15	4.400-009.0	Hose BE	1.000	ST	
16	6.646-325.0	Plug element	2.000	ST	
17	6.389-992.0	Hose clip	1.000	ST	
18	6.647-513.0	Strain relief	1.000	ZST	
19	7.777-999.0	Stockpiling discontinued	1.000	ST	
20	7.777-999.0	Stockpiling discontinued	1.000	ST	
21	7.777-999.0	Stockpiling discontinued	1.000	ST	
22	7.777-999.0	Stockpiling discontinued	1.000	ST	
23	7.777-999.0	Stockpiling discontinued	1.000	ST	
24	6.960-125.0	Switch	1.000	ST	
25	7.777-999.0	Stockpiling discontinued	1.000	ST	



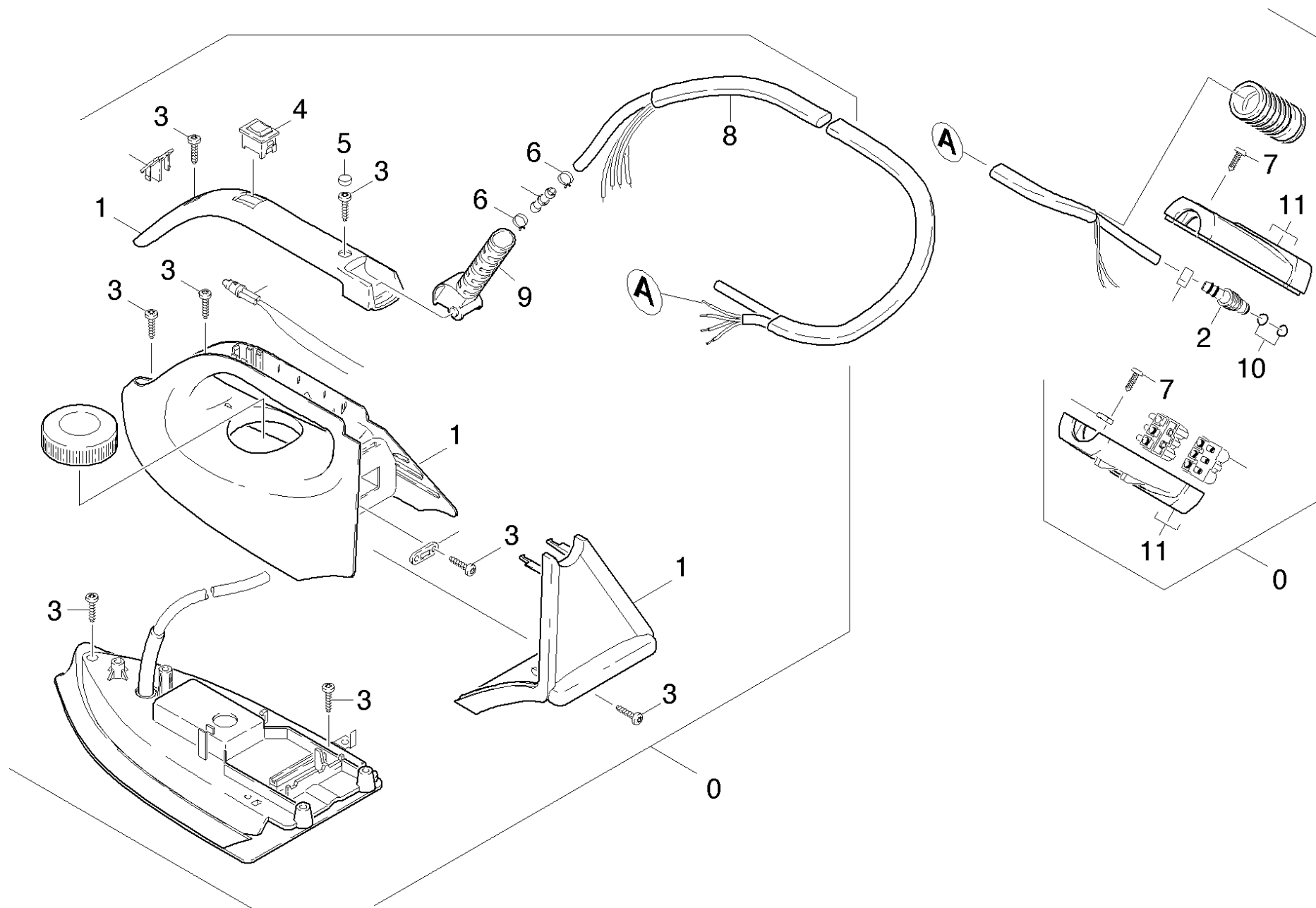
92 Smoothing iron

POS	Article no.	Description	Quantity	Unit	Remark
1	7.777-999.0	Stockpiling discontinued	1.000	ST	
2	7.777-999.0	Stockpiling discontinued	1.000	ST	
3	7.777-999.0	Stockpiling discontinued	1.000	ST	
4	7.777-999.0	Stockpiling discontinued	1.000	ST	
5	7.313-032.0	Spring washer A 5-Edelstahl DIN 128	2.000	ST	
6	7.311-065.0	Hexagon nut M 5-A2-70 ISO 4032	2.000	ST	
7	7.777-999.0	Stockpiling discontinued	1.000	ST	
8	7.306-209.0	Screw M 4X 20-A2-70 (In6Rd)	1.000	ST	
9	7.777-999.0	Stockpiling discontinued	1.000	ST	
10	7.777-999.0	Stockpiling discontinued	1.000	ST	
11	7.304-043.0	Hexagonal head screw M 4x35-A4-70 ISO 4	1.000	ST	
12	7.313-031.0	Spring washer A 4-Edelstahl DIN 128	5.000	ST	
13	7.311-064.0	Hexagon nut M 4-A2-70 ISO 4032	1.000	ST	
14	7.777-999.0	Stockpiling discontinued	1.000	ST	
15	7.777-999.0	Stockpiling discontinued	1.000	ST	
16	7.777-999.0	Stockpiling discontinued	1.000	ST	
17	7.777-999.0	Stockpiling discontinued	1.000	ST	VERSION 1
18	7.306-205.0	Screw M4x8 -A2-70 (In6Rd)	2.000	ST	VERSION 1
19	7.312-293.0	Washer 4-A2 ISO 7093-1	4.000	ST	
20	7.777-999.0	Stockpiling discontinued	1.000	ST	VERSION 1
21	7.777-999.0	Stockpiling discontinued	2.000	ST	VERSION 2
22	7.777-999.0	Stockpiling discontinued	1.000	ST	VERSION 2
23	6.960-195.0	Insulating	2.000	ST	
25	7.303-033.0	Screw M4x16-ST-P2R (KOMBI-IN6RD)	2.000	ST	
26	6.960-196.0	Cover signal-grey	1.000	ST	VERSION 2



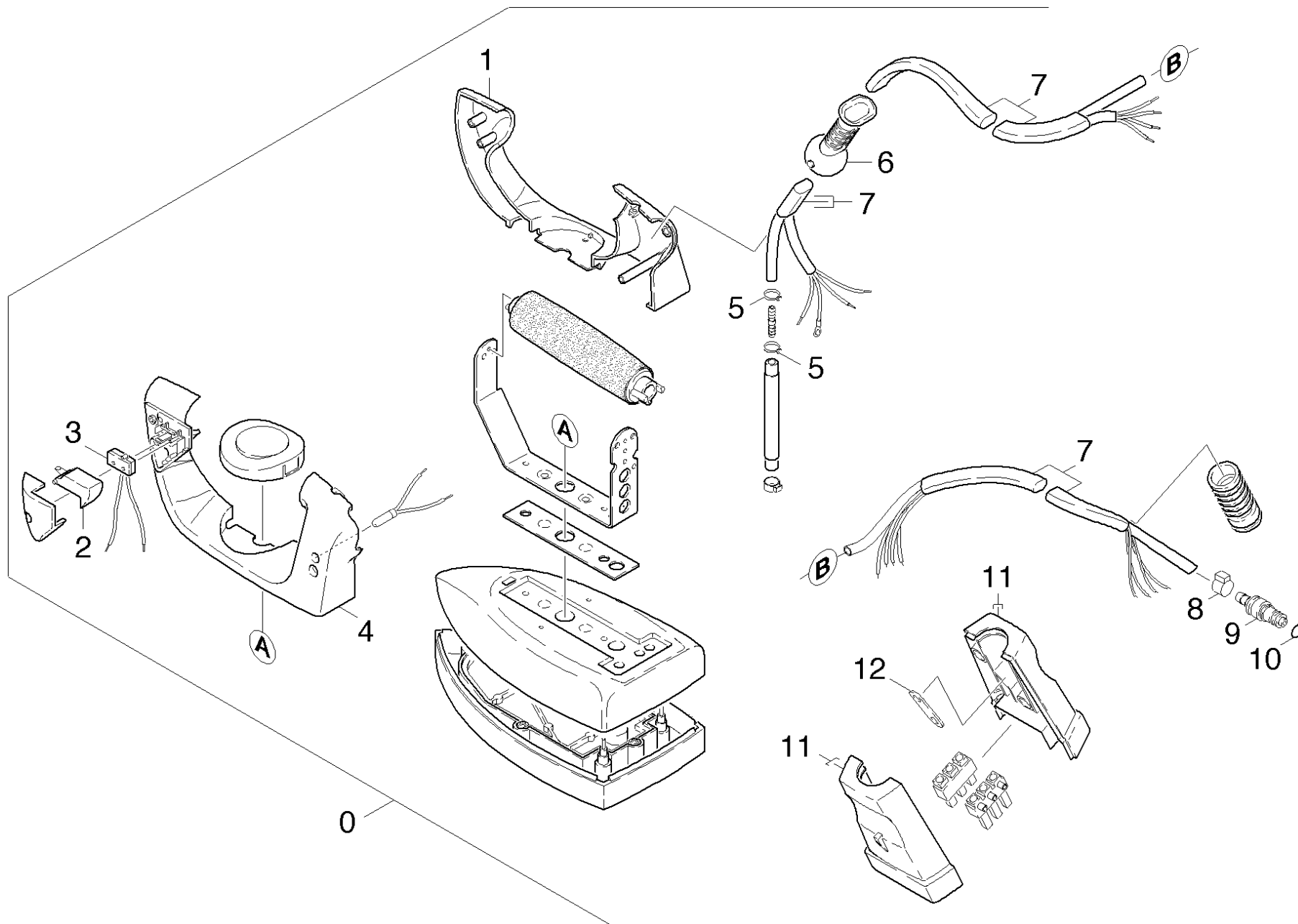
93 Smoothing iron

POS	Article no.	Description	Quantity	Unit
0	7.777-999.0	Stockpiling discontinued	1.000	ST
	Item text1: / 1.438-110.0			
1	5.031-606.0	Covering cap handhold	1.000	ST
2	5.060-755.0	Housing	1.000	ST
3	5.132-130.0	Plug	1.000	ST
4	6.630-096.0	Switch	1.000	ST
5	5.394-525.0	Bend protection	1.000	ST
6	5.031-610.0	Cover	1.000	ST
7	4.400-009.0	Hose BE	1.000	ST
8	5.031-369.0	Plug shells	1.000	ST
9	5.553-339.0	Piston	1.000	ST
10	6.362-923.0	O-Ring seal 6,75X 1,78	2.000	ST



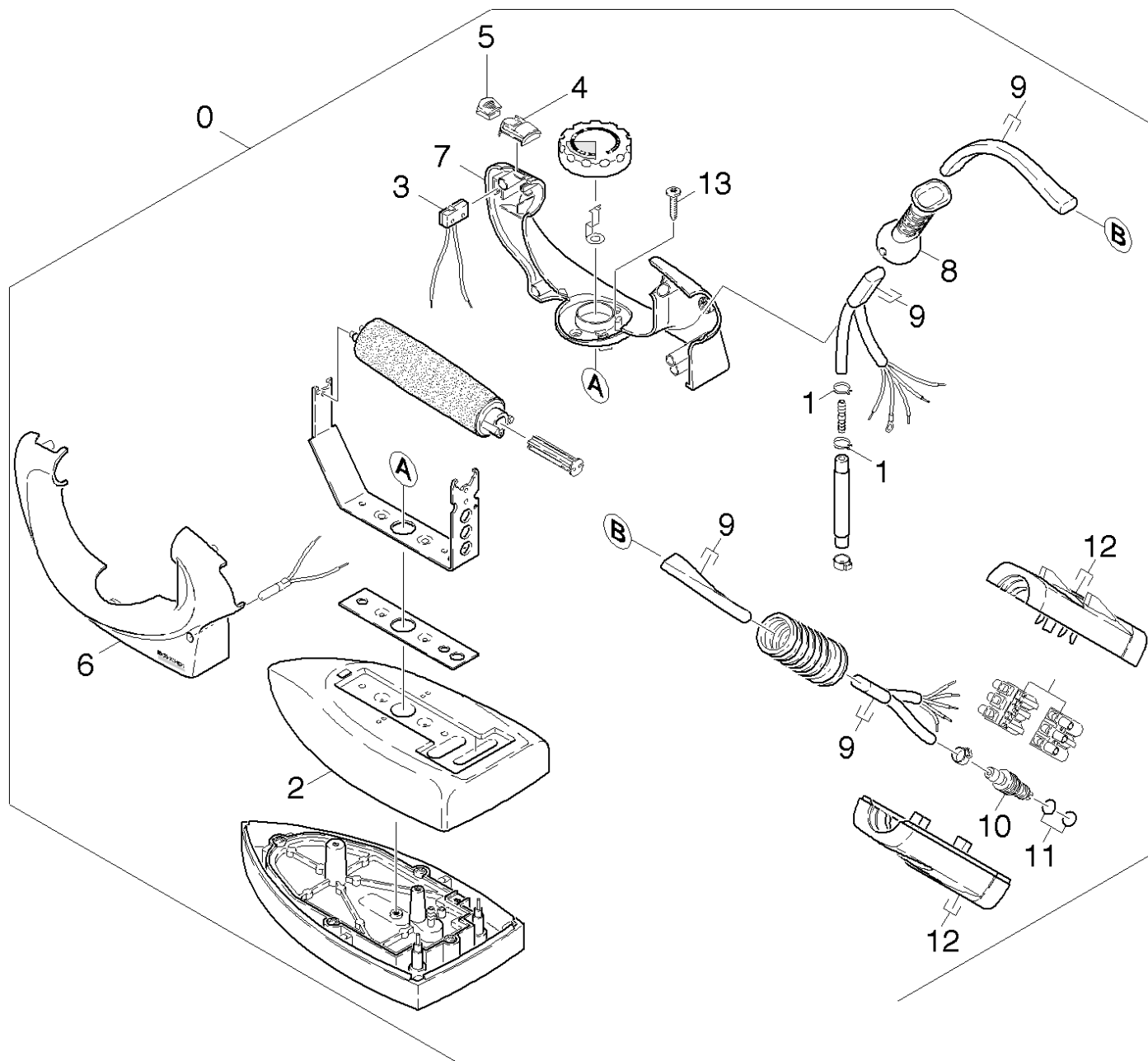
94 Smoothing iron

POS	Article no.	Description	Quantity	Unit
0	7.777-999.0	Stockpiling discontinued	1.000	ST
1	7.777-999.0	Stockpiling discontinued	1.000	ST
2	5.553-339.0	Piston	1.000	ST
3	6.998-043.0	Screw 3,5X16	10.000	ST
4	7.777-999.0	Stockpiling discontinued	1.000	ST
5	5.132-130.0	Plug	1.000	ST
6	6.992-085.0	Clamp	1.000	ST
7	6.303-058.0	Oval head screw 2,9X 13-ST-VERZ	1.000	ST
8	6.321-197.0	Steam hose complete n.f.Ersatz 5_0207522	1.000	ST
9	5.394-525.0	Bend protection	1.000	ST
10	6.362-923.0	O-Ring seal 6,75X 1,78	1.000	ST
11	5.031-060.0	Plug shells	1.000	ST



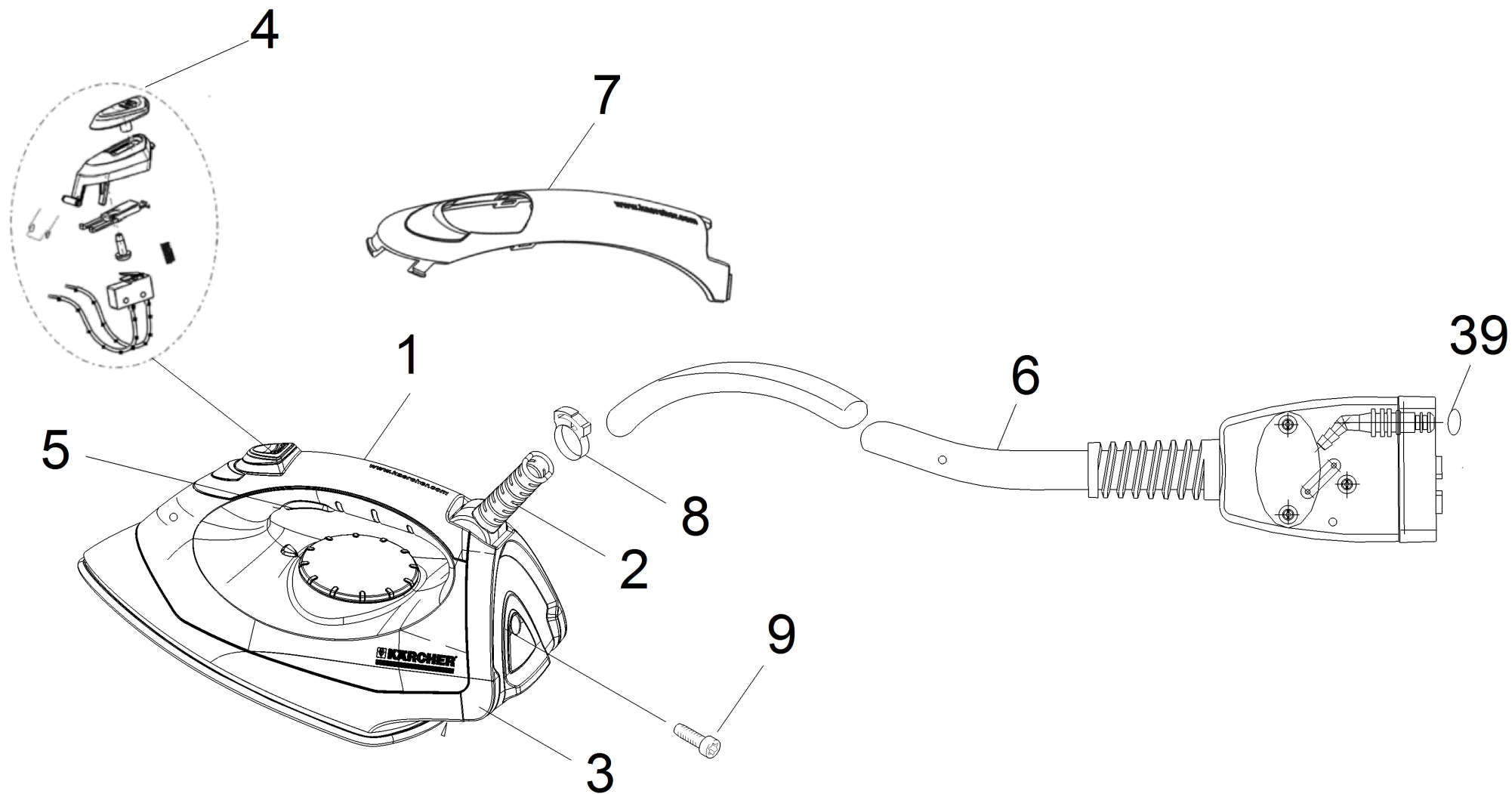
95 Smoothing iron

POS	Article no.	Description	Quantity	Unit
0	2.884-503.0	BE with packing I 6002	1.000	ST
1	7.777-999.0	Stockpiling discontinued	1.000	ST
2	6.992-012.0	Switch	1.000	ST
3	6.992-039.0	Micro switch	1.000	ST
4	6.992-009.0	Handle bowl left	1.000	ST
5	6.992-085.0	Clamp	2.000	ST
6	6.992-004.0	Kink-protection sleeve	1.000	ST
7	7.777-999.0	Stockpiling discontinued	1.000	ST
8	6.389-992.0	Hose clip	1.000	ST
9	5.553-339.0	Piston	1.000	ST
10	6.362-923.0	O-Ring seal 6,75X 1,78	2.000	ST
11	5.031-060.0	Plug shells	1.000	ST
12	6.647-513.0	Strain relief	1.000	ZST



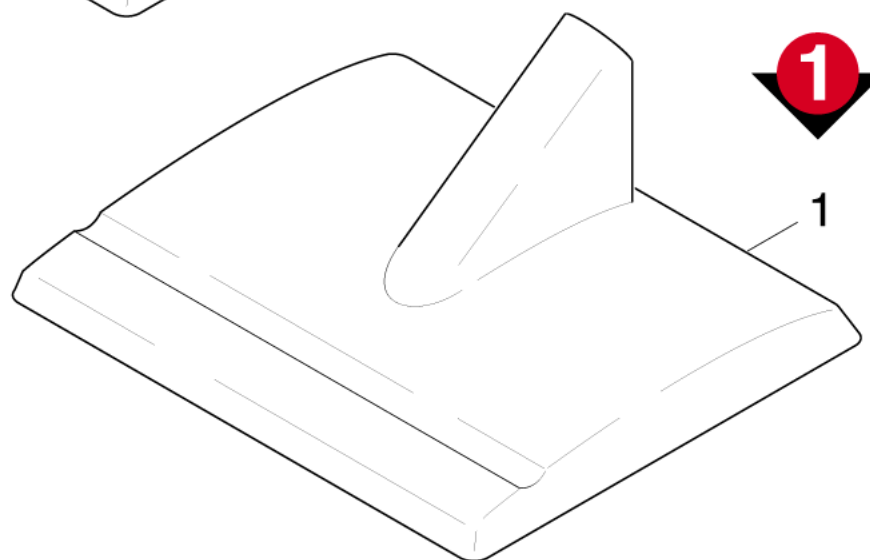
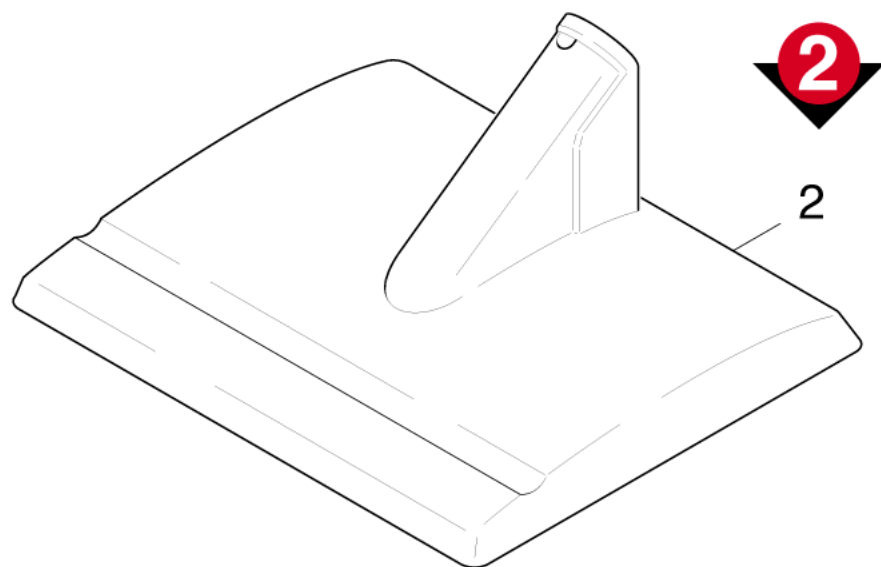
96 Smoothing iron

POS	Article no.	Description	Quantity	Unit
0	2.884-503.0	BE with packing I 6002	1.000	ST
	Item text1: / 1.438-115.0			
1	6.992-085.0	Clamp	2.000	ST
2	7.777-999.0	Stockpiling discontinued	1.000	ST
3	6.992-039.0	Micro switch	1.000	ST
4	6.992-040.0	Lever	1.000	ST
5	7.777-999.0	Stockpiling discontinued	1.000	ST
6	7.777-999.0	Stockpiling discontinued	1.000	ST
7	7.777-999.0	Stockpiling discontinued	1.000	ST
8	6.992-004.0	Kink-protection sleeve	1.000	ST
9	6.321-203.0	Steam hose complete n.f.Ers. 31_02081280	1.000	ST
10	5.553-339.0	Piston	1.000	ST
11	6.362-923.0	O-Ring seal 6,75X 1,78	2.000	ST
12	5.031-060.0	Plug shells	1.000	ST
13	6.998-043.0	Screw 3,5X16	1.000	ST



97 Smoothing iron

POS	Article no.	Description	Quantity	Unit
1	4.862-004.0	Smoothing iron plug old I 6006	1.000	ST
2	5.862-023.0	Bend protection smoothing iron	1.000	ST
3	6.862-000.0	Rear panel smoothing iron replacement I	1.000	ST
4	4.862-006.0	Set pushbutton smoothing iron I 6006	1.000	ST
5	5.862-031.0	Pushbutton bottom smoothing iron bk	1.000	ST
6	4.322-043.0	Steam hose with cable old_I 6006	1.000	ST
7	4.512-113.0	Covering cap handhold replacement yw	1.000	ST
8	6.389-993.0	Hose clip 7,5 - 9,0	1.000	ST
9	6.303-557.0	Screw 3x12 Kombitorx T8	1.000	ST
39	6.362-923.0	O-Ring seal 6,75X 1,78	2.000	ST



100 Nozzle for hangings

POS	Article no.	Description	Quantity	Unit	Remark
1	7.777-999.0	Stockpiling discontinued	1.000	ST	VERSION 1
2	2.863-062.0	Nozzle for hangings	1.000	ST	VERSION 2