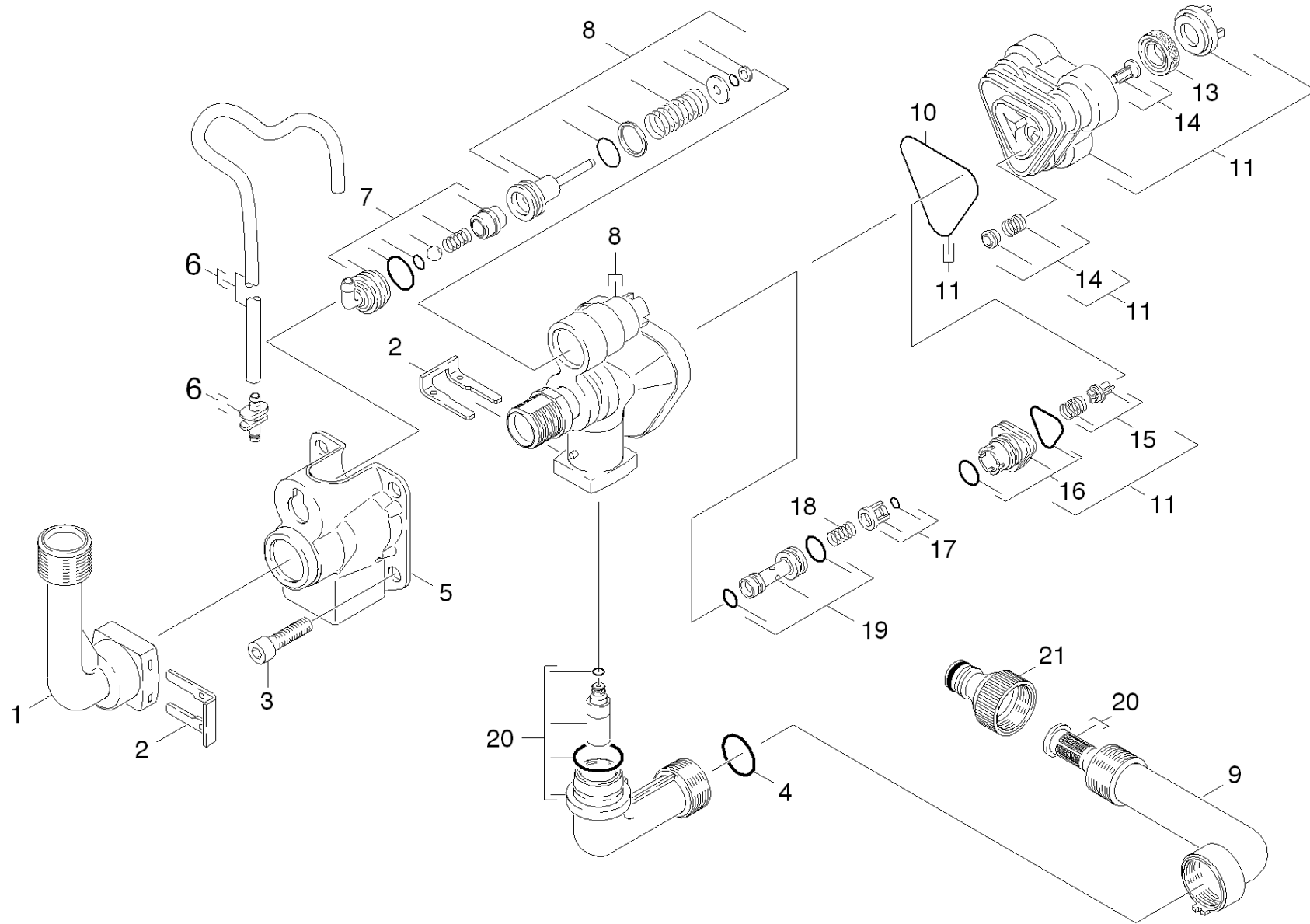


21 Housing

Overview technical documents/Home & Garden/High pressure cleaner cold water/Electric motor/K 3/K 3.900 M PLUS T250 *EU (1.636-240.0)/Spare parts list K 3.93M *EU/20 Pump set/21 Housing



21 Housing

Overview technical documents/Home & Garden/High pressure cleaner cold water/Electric motor/K 3/K 3.900 M PLUS T250 *EU (1.636-240.0)/Spare parts list K 3.93M *EU/20 Pump set/21 Housing

Rez.daļas/nodil.pakļ.daļas	Poz.	Materiāla Nr.	Nosaukums	Daudzums	Pārdoš. vienība	no sēr. Nr..	līdz sēr. Nr.
	1	9.036-703.0	Sāna padeves savienojums	1.000	ST	0000000000	0000000000
	2	9.039-148.0	metal fork	2.000	ST	0000000000	0000000000
	3	9.086-200.0	Screw M 8x55 Class 8.8	4.000	ST	0000000000	0000000000
	4	9.081-420.0	O-Ring d.17,86x2,62	1.000	ST	0000000000	0000000000
	5	9.039-308.0	Cover K130	1.000	ST	0000000000	0000000000
	6	9.011-712.0	Hose cleaning agents complete 520mm	1.000	ST		
	7	9.001-741.0	Korpusa kompaktais modulis, priekšējais	1.000	ST	0000000000	0000000000
X	8	9.001-361.0	Sadales galvas rezerves daļu komplekts	1.000	ST	0000000000	0000000000
	9	9.036-801.0	Īscaurule iesūkšanas pusē, melna	1.000	ST	0000000000	0000000000
	10	9.081-422.0	Veidnes blīve	1.000	ST	0000000000	0000000000
	11	9.001-215.0	Cilindru bloka galvas rezerves komplekts	1.000	ST	0000000000	0000000000
	13	6.362-875.0	Gredzens ar gropi	3.000	ST	0000000000	0000000000
	14	9.001-110.0	Veidnes detaļa, pilns komplekts	3.000	ST	0000000000	0000000000
	15	9.001-149.0	Vārstu komplekts	1.000	ST	0000000000	0000000000
	16	9.001-106.0	Savienotājdetaļa	1.000	ST	0000000000	0000000000
	17	9.001-107.0	Aptvere, pilns komplekts	1.000	ST	0000000000	0000000000
	18	9.047-026.0	Atspere	1.000	ST	0000000000	0000000000
	19	9.001-108.0	Inžektors, pilns komplekts	1.000	ST	0000000000	0000000000
	20	9.001-310.0	Spare part set	1.000	ST	0000000000	0000000000
	21	6.465-031.0	connection	1.000	ST	0000000000	0000000000