

Spare parts list

(1.286-916.0) HD 10/21-4 S *EU-I

Table of contents

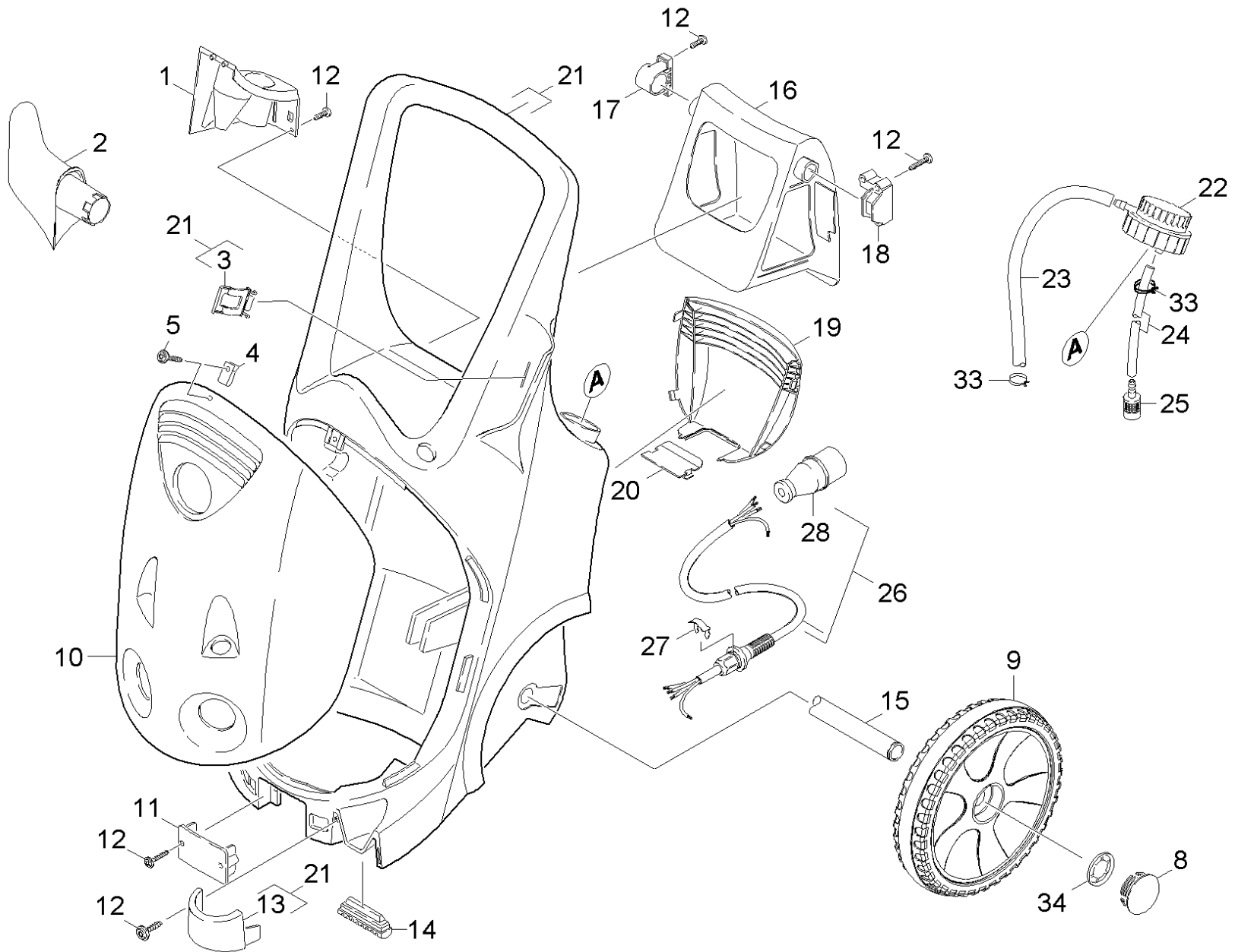
HD 10/21-4 S *EU-I (1.286-916.0)	3
Spare parts list HD 10/21-4S *EU-I (5.973-952.0)	4
10 Housing	5
21 Frame complete (4.050-601.0)	7
20 Pump set	9
21 Cylinder head	10
3 SPARE PARTS SET (2.883-988.0)	12
12 Spare part set overflow valve (2.885-385.0)	14
28 Nozzle insert complete (4.769-000.0)	16
100 PUMP SET HD 1095 (2.883-902.0)	18
10 Valve (3 Stueck) (2.884-512.0)	20
20 Valve complete (4.580-594.0)	22
22 Piston	24
23 Valves	26
4 Manifold complete (4.427-216.0)	28
7 Valve (3 Stueck) (2.884-512.0)	30
12 Valve complete (4.580-594.0)	32
24 Water filter	34
5 Filter complete (4.730-161.0)	36
30 Motor	38
40 Accessories	40
41 EASY!Force Advanced (4.118-005.0)	42
9000 Spare part set lever (2.885-483.0)	44
42 Hose assembly TR rotatable DN8 31,5MPa 1 (6.110-031.0)	46
1 Hose assembly TR rotatable DN8 31,5MPa 1	47
43 Jet pipe TR 1050 mm (4.112-000.0)	49
44 Power nozzle TR 25052 (2.113-024.0)	51
45 Nozzle chemical TR 25250 (2.113-020.0)	53
50 Electric box	55

HD 10/21-4 S *EU-I (1.286-916.0)

POS	Article no.	Description	Quantity	Unit
0		PAIS HD 10/25 *	1	PC
0	5.973-952.0	Spare parts list HD 10/21-4S *EU-I	1	PC

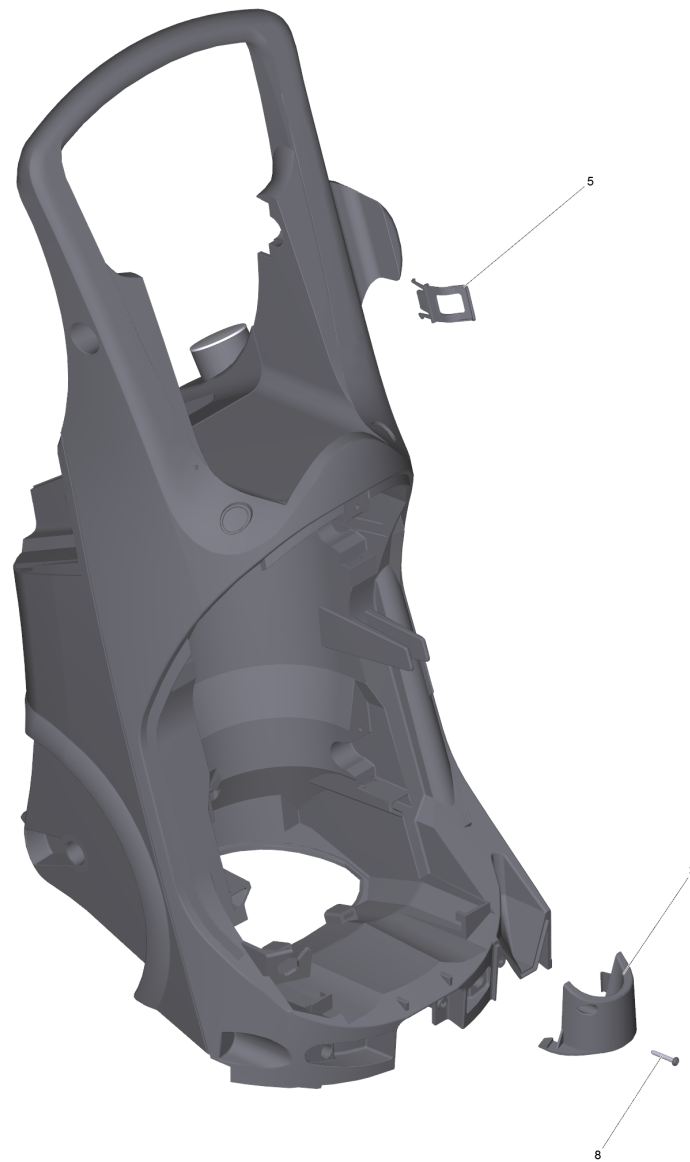
Spare parts list HD 10/21-4S *EU-I (5.973-952.0)

POS	Description	Quantity	Unit
10	Housing	1	PC
20	Pump set	1	PC
30	Motor	1	PC
40	Accessories	1	PC
50	Electric box	1	PC



10 Housing

POS	Article no.	Description	Quantity	Unit	Foot note text
1	5.667-061.0	Nozzle holder	1	PC	
2	5.044-668.0	Holder	1	PC	
3	5.044-666.0	Holder jet pipe	1	PC	
4	6.310-053.0	Putting nut	1	PC	
5	6.304-099.0	Saucer-head screw M 6x 18-4.8-R2R	1	PC	
8	2.889-086.0	Set wheel cap	1	PC	SET OF 2 PIECES
9	4.515-344.0	Wheel complete	2	PC	
10	5.069-441.0	Cover basalt grey RAL7012	1	PC	
11	5.032-463.0	Covering cap hose guide	1	PC	
12	7.303-110.0	Screw 5x35 -10.9-R2R (In6Rd)	8	PC	
13	5.013-091.0	Funnel	1	PC	
14	5.057-062.0	Support	2	PC	
15	5.033-342.0	Axle	1	PC	
16	5.032-426.0	Covering cap	1	PC	
17	5.251-049.0	Bearing support right	1	PC	
18	5.251-048.0	Bearing support left	1	PC	
19	5.032-406.0	Covering cap	1	PC	
20	5.032-413.0	Covering cap drawer	1	PC	
21	4.050-601.0	Frame complete	1	PC	
22	4.580-814.0	Chemistry mertering valve only for repla	1	PC	
23	6.388-194.0	Hose DN 7	1	m	TO ORDER AS CUT GOODS
24	6.388-216.0	Hose DN 5	1	m	TO ORDER AS CUT GOODS
25	5.731-652.0	Filter with weight	1	PC	
26	6.648-859.0	Cable with plug	1	PC	
27	6.343-186.0	Locking ring	1	PC	
28	6.646-030.0	Plug CEE ,16A,5p,IP44	1	PC	
33	6.389-567.0	Hose clip	1	PC	
34	6.343-162.0	Lock washer -25	2	PC	

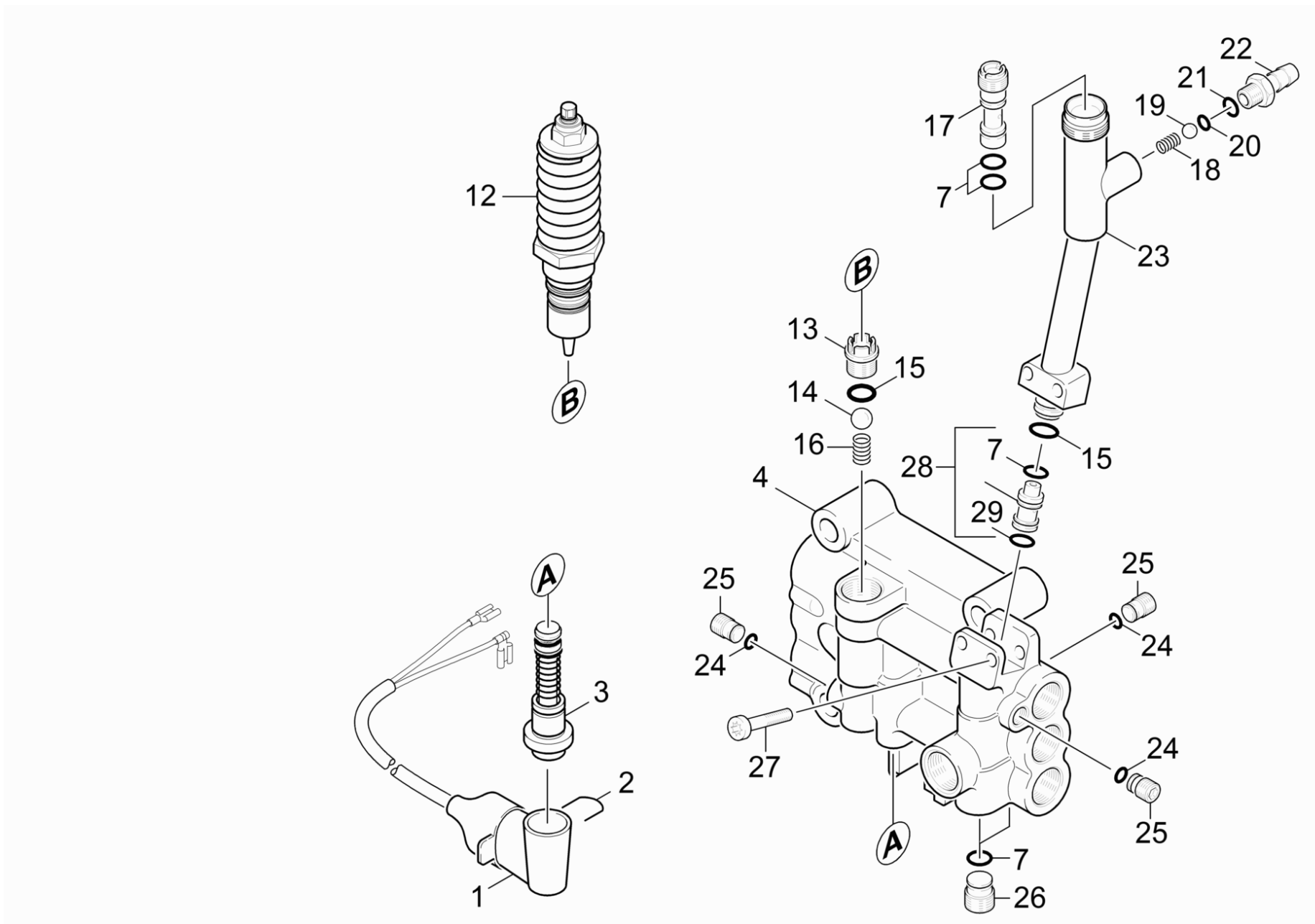


21 Frame complete (4.050-601.0)

POS	Article no.	Description	Quantity	Unit
3	5.013-091.0	Funnel	1	PC
5	5.044-666.0	Holder jet pipe	1	PC
8	7.303-110.0	Screw 5x35 -10.9-R2R (In6Rd)	1	PC

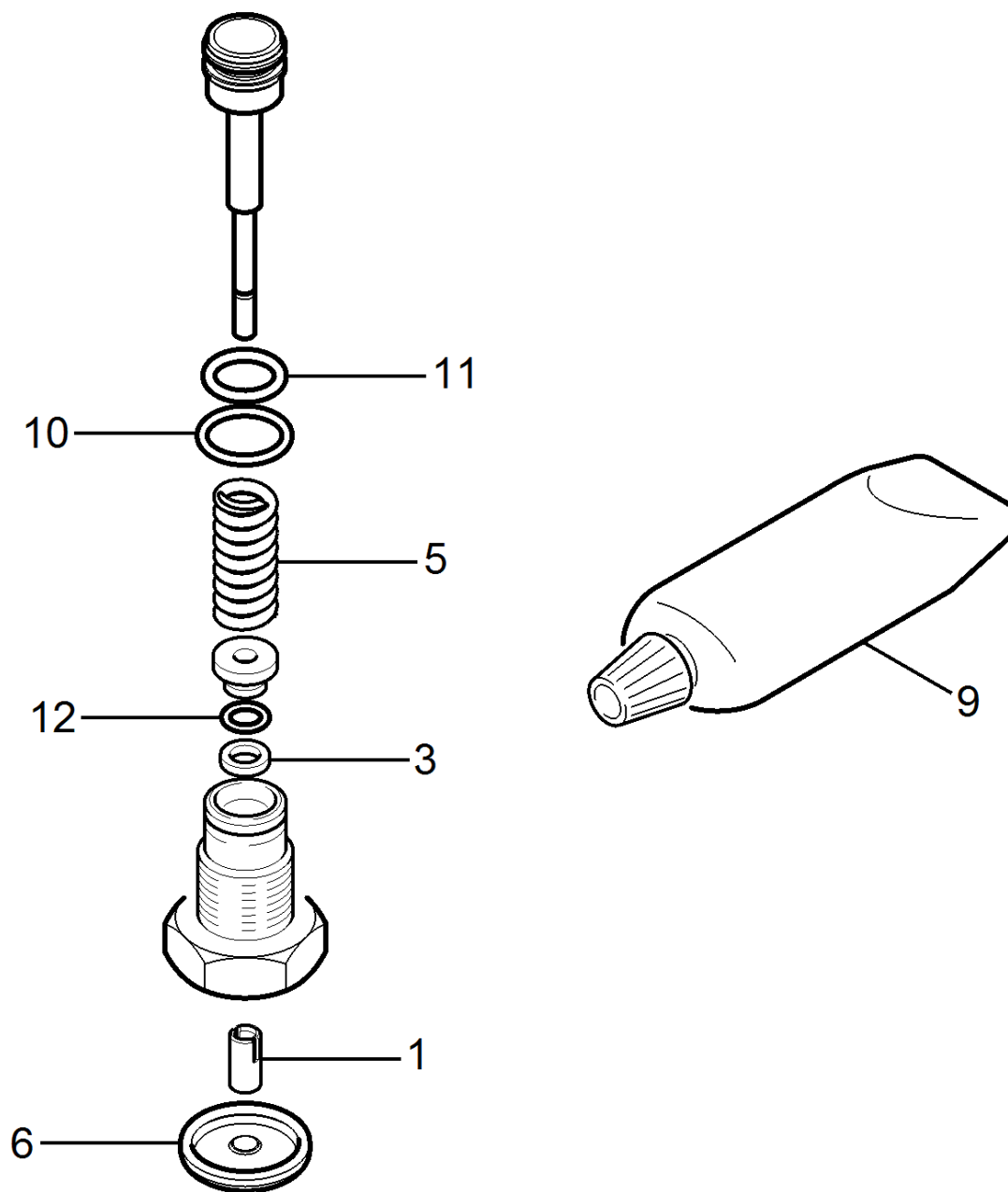
20 Pump set

POS	Description	Quantity	Unit
21	Cylinder head	1	PC
22	Piston	1	PC
23	Valves	1	PC
24	Water filter	1	PC



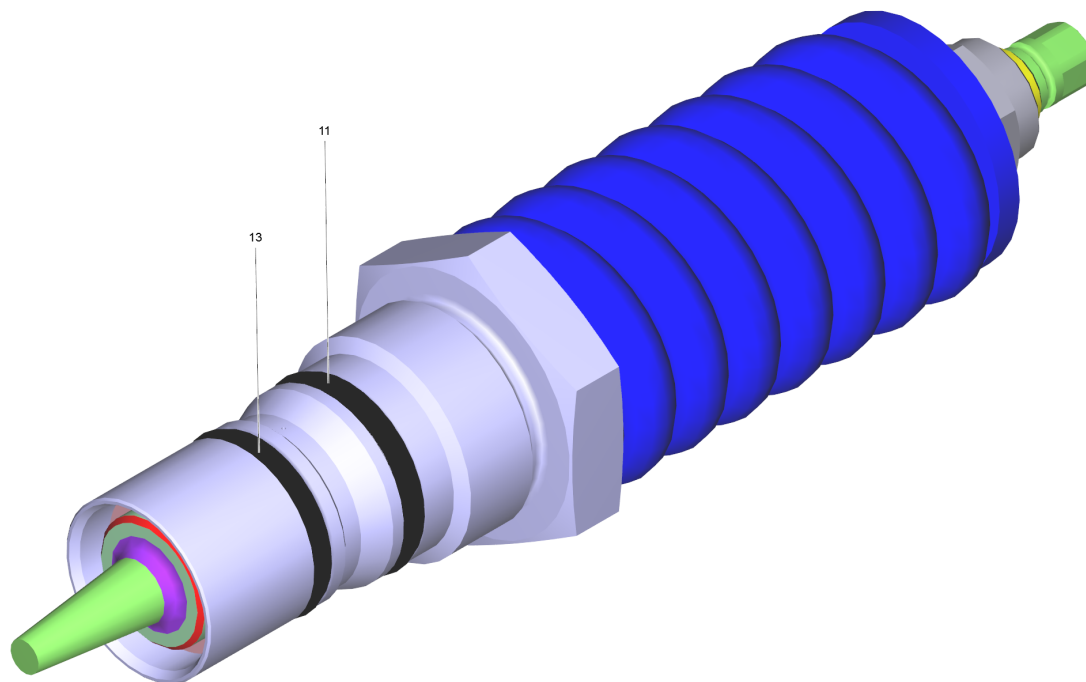
21 Cylinder head

POS	Article no.	Description	Quantity	Unit
1	4.744-242.0	Switch kpl. -nur für Ersatz-	1	PC
2	5.034-494.0	Retaining bracket	1	PC
3	2.883-988.0	SPARE PARTS SET	1	PC
4	2.885-320.0	Cylinder head only for replacement	1	PC
5	6.363-517.0	Supportring	1	PC
7	6.362-384.0	O-Ring seal 9x1,5 - NBR 70	5	PC
12	2.885-385.0	Spare part set overflow valve	1	PC
13	5.581-270.0	Valve seat	1	PC
14	7.401-910.0	Sphere 3/8 G80-1.4034 DIN 5401	1	PC
15	6.362-151.0	O-Ring d. 10 x 2 NBR 70	2	PC
16	5.332-999.0	Helical spring	1	PC
17	5.769-082.0	Nozzle insert D2.0/ D2.7/ L38	1	PC
18	5.332-258.0	Helical spring	1	PC
19	7.401-908.0	Sphere 7 G300 -1.4301 DIN 5401	1	PC
20	6.363-597.0	O-Ring seal 5,28 x 1,78	1	PC
21	6.362-113.0	O-Ring seal 6,0 x 2,0 NBR 70	1	PC
22	5.443-370.0	Nipple	1	PC
23	5.427-010.3	Manifold TR high-pressure outlet	1	PC
24	6.362-703.0	O-Ring seal 6,0x1,5-NBR 70	3	PC
25	5.411-161.0	CLOSING SCREW M10X1	3	PC
26	5.411-152.0	Screw plug	2	PC
27	7.306-118.0	Screw M 6x35 -8.8-R3R (In6Rd)	2	PC
28	4.769-000.0	Nozzle insert complete	1	PC
29	6.363-282.0	O-Ring seal 6,3x2,4-NBR 70	1	PC
100	2.883-902.0	PUMP SET HD 1095	1	PC



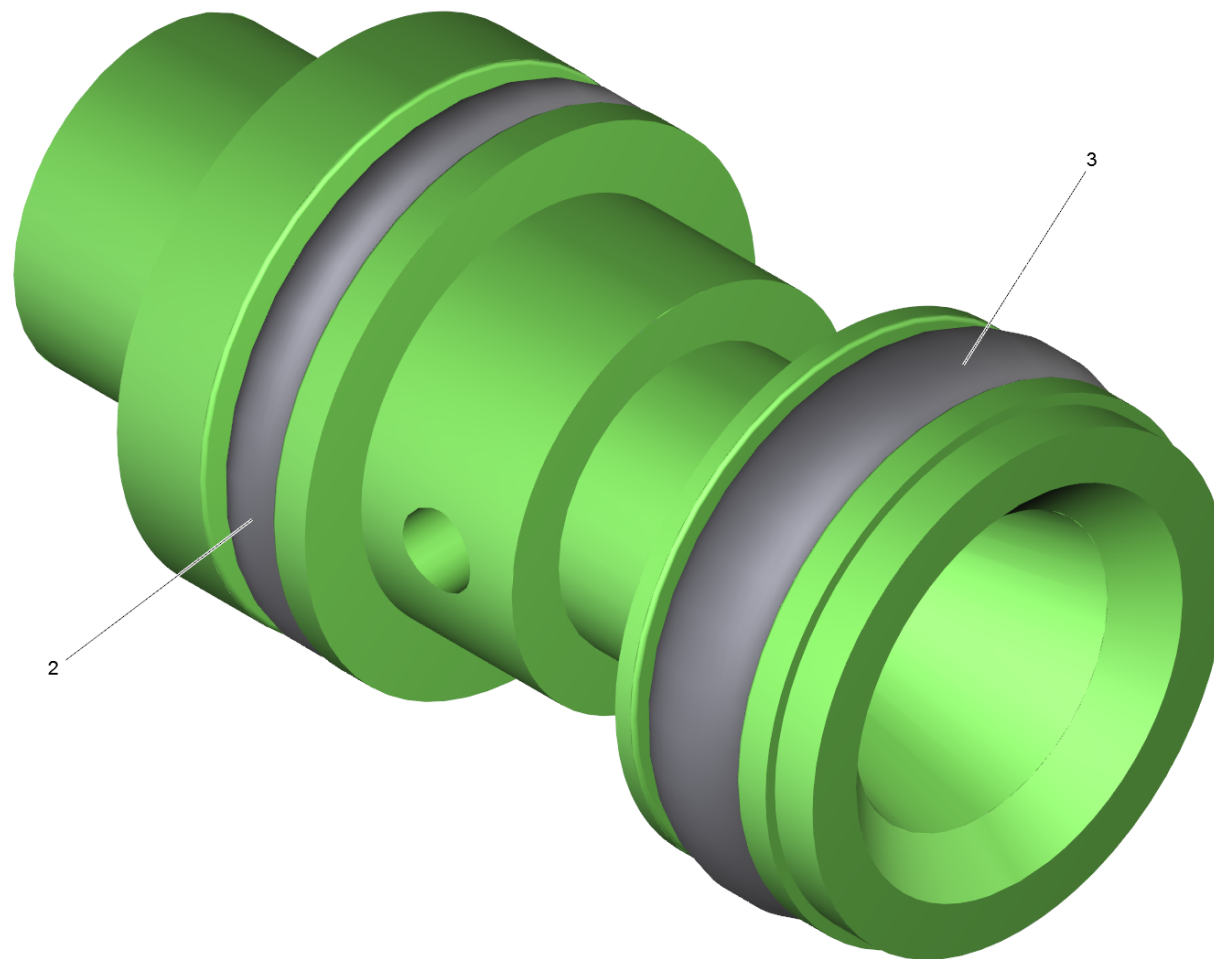
3 SPARE PARTS SET (2.883-988.0)

POS	Article no.	Description	Quantity	Unit
1	5.110-947.0	Sleeve	1	PC
3	5.114-513.0	Supportring	1	PC
5	5.332-511.0	Helical spring	1	PC
6	5.367-030.0	Diaphragm	1	PC
9	6.288-044.0	Silicon grease 100 G	1	PC
10	6.363-615.0	O-Ring seal 11 x 1,5 -NBR70	1	PC
11	6.363-611.0	O-Ring seal 8,73 x 1,78 -NBR	1	PC
12	6.363-241.0	O-Ring seal 2,90x1,78	1	PC



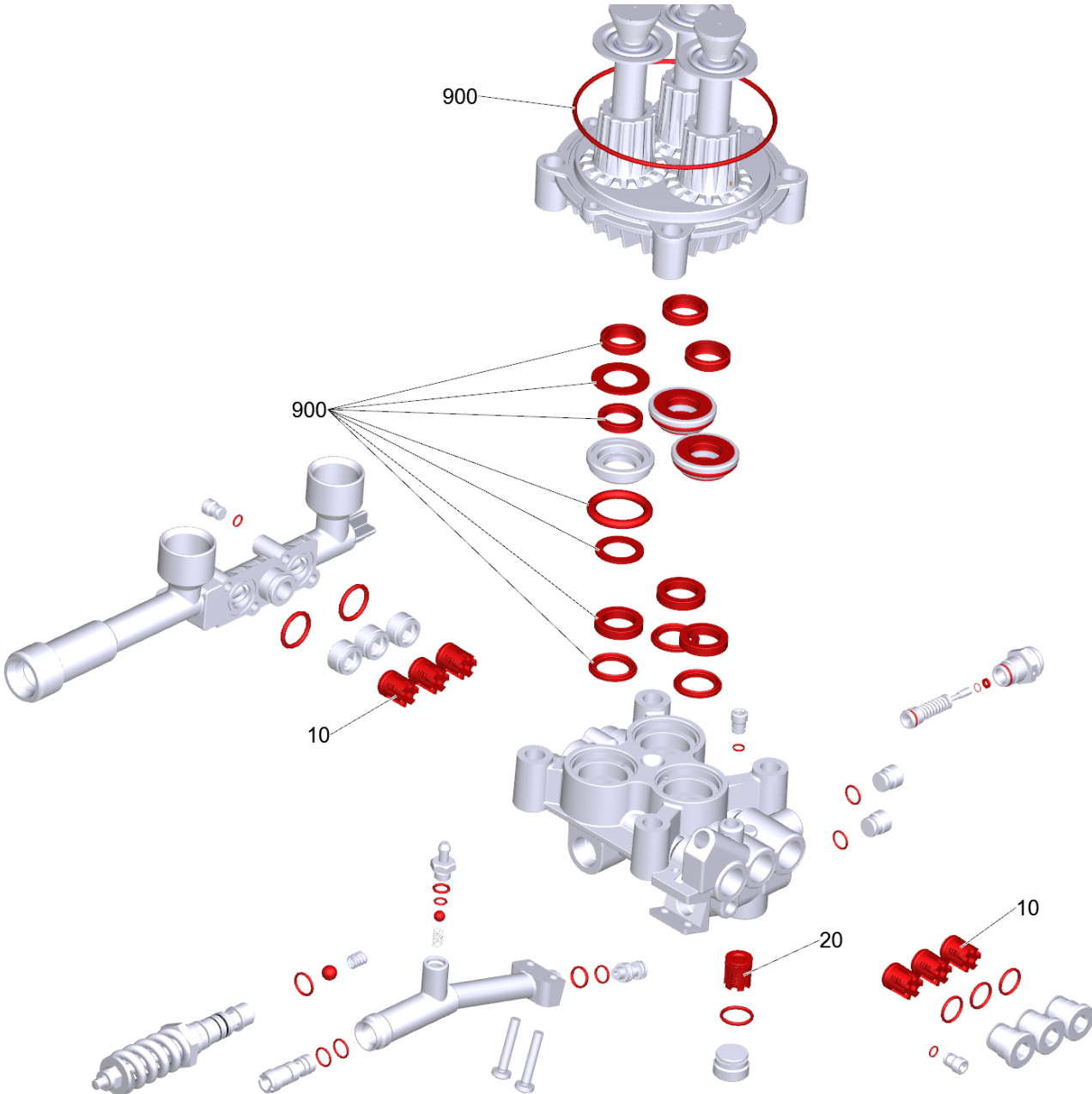
12 Spare part set overflow valve (2.885-385.0)

POS	Article no.	Description	Quantity	Unit
11	6.363-480.0	O-Ring seal 15,6x1,78	1	PC
13	6.363-463.0	O-Ring seal 15 x 1,5	1	PC



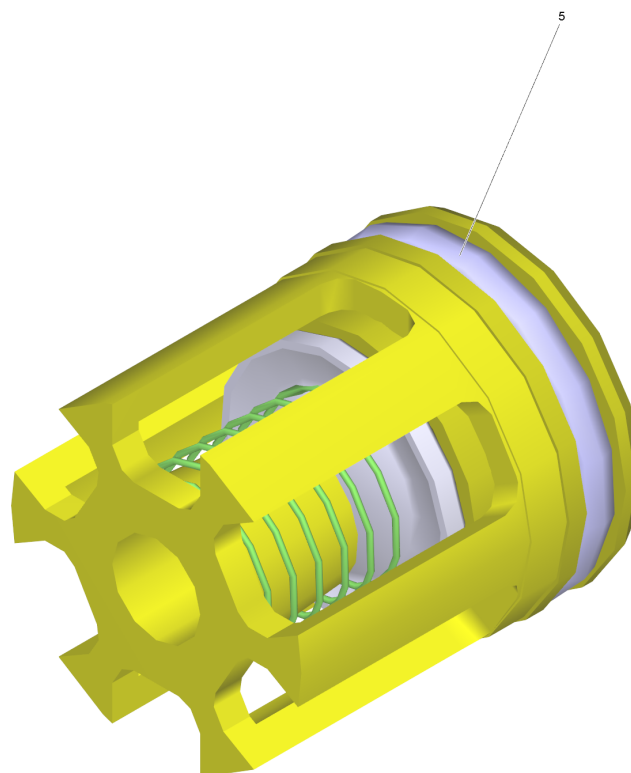
28 Nozzle insert complete (4.769-000.0)

POS	Article no.	Description	Quantity	Unit
2	6.362-384.0	O-Ring seal 9x1,5 - NBR 70	1	PC
3	6.363-282.0	O-Ring seal 6,3x2,4-NBR 70	1	PC



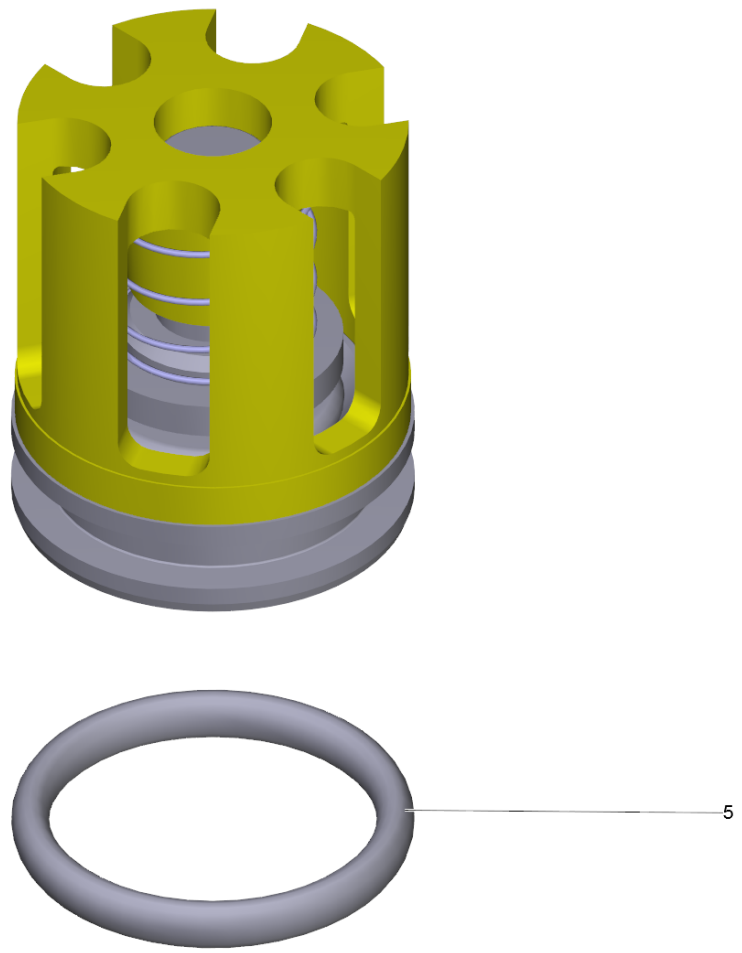
100 PUMP SET HD 1095 (2.883-902.0)

POS	Article no.	Description	Quantity	Unit
10	2.884-512.0	Valve (3 Stueck)	2	PC
20	4.580-594.0	Valve complete	1	PC
900	4.100-769.0	Set of gaskets	1	PC



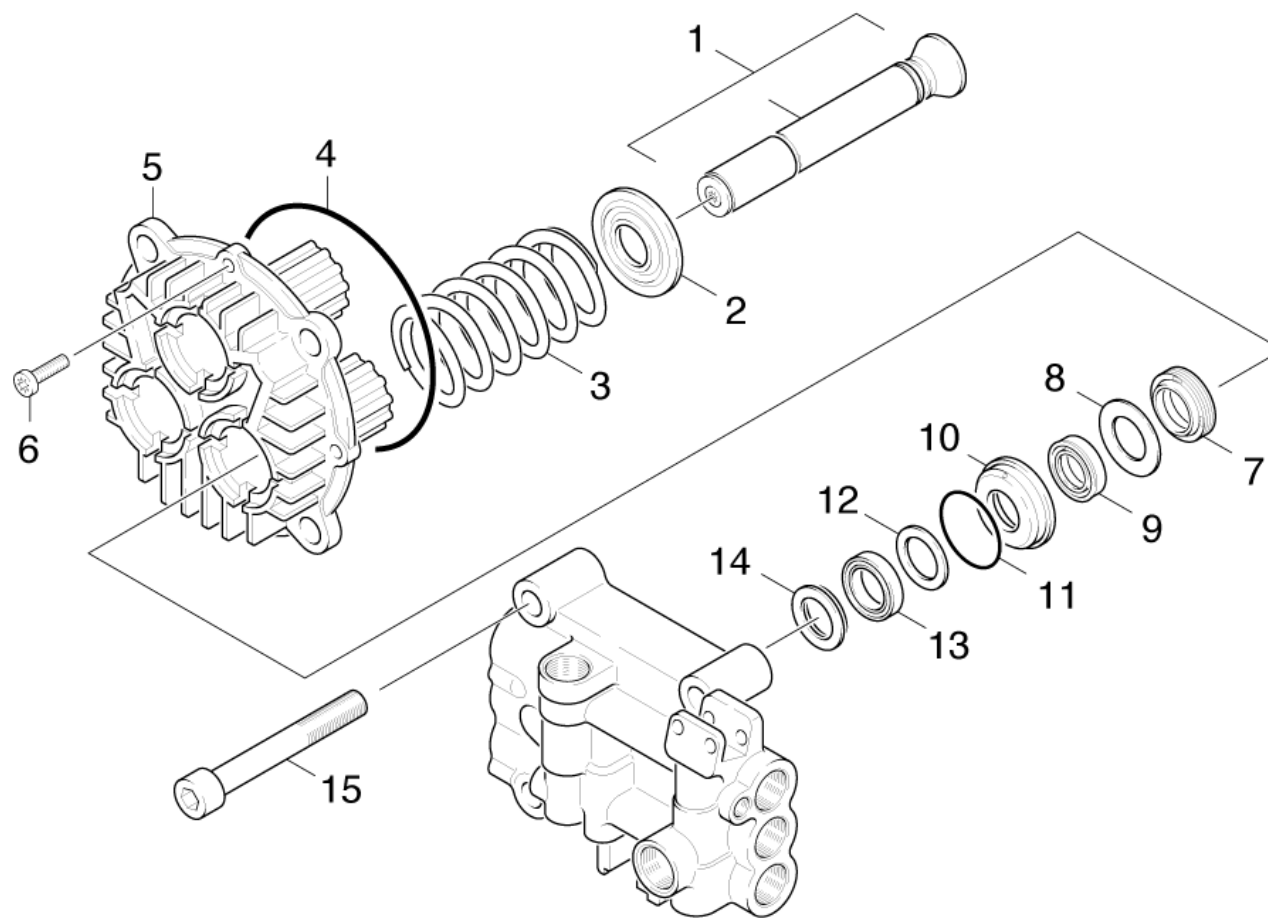
10 Valve (3 Stueck) (2.884-512.0)

POS	Article no.	Description	Quantity	Unit
5	6.363-003.0	O-Ring seal 13,0 X 2,0-NBR 90	1	PC



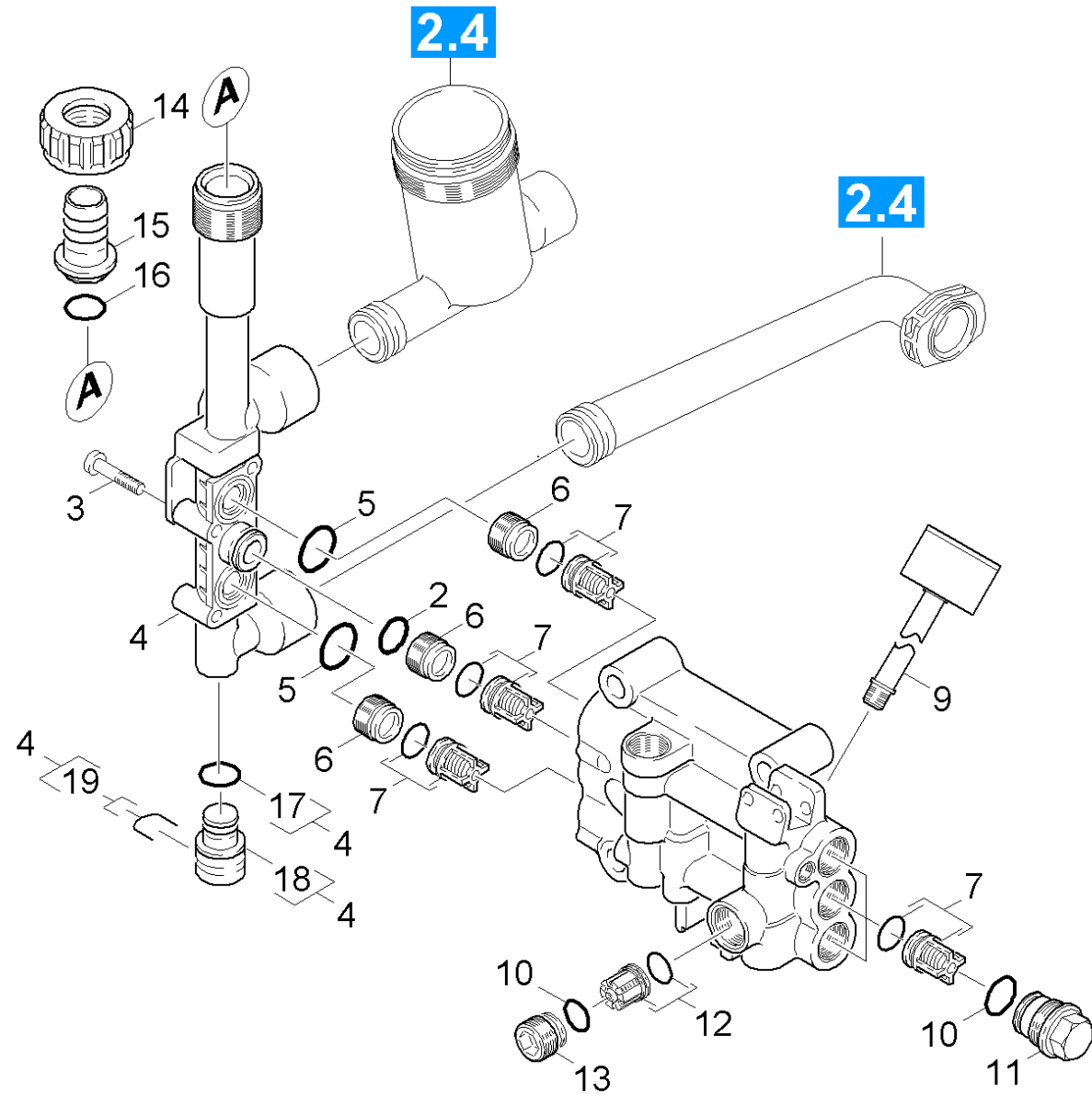
20 Valve complete (4.580-594.0)

POS	Article no.	Description	Quantity	Unit
5	6.362-381.0	O-Ring seal 13x2 - NBR 70	1	PC



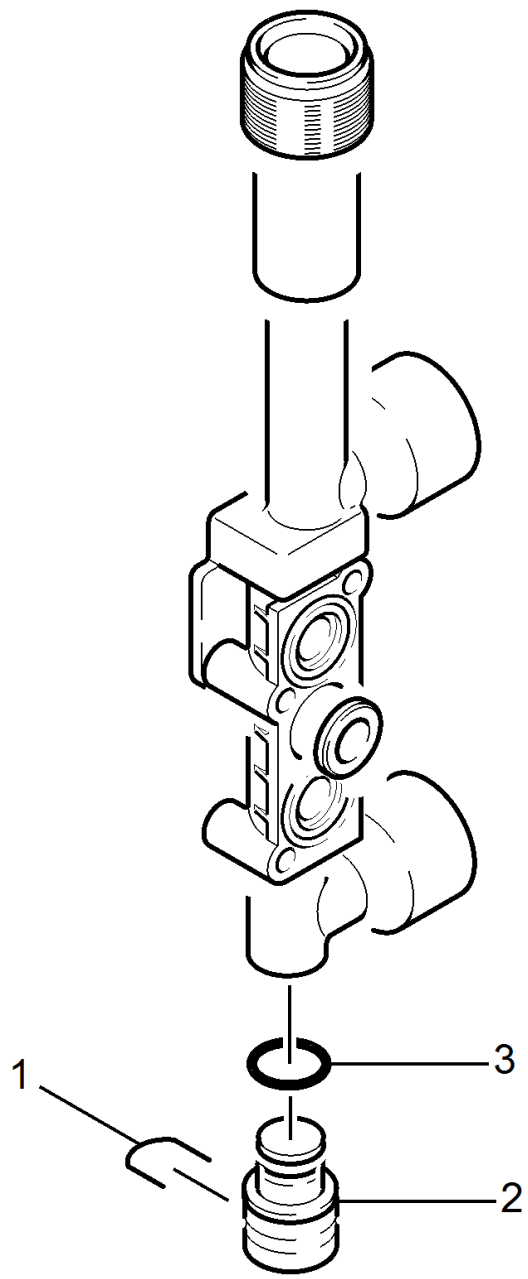
22 Piston

POS	Article no.	Description	Quantity	Unit
1	4.553-282.0	Piston complete only for replacement	3	PC
2	5.115-991.0	Washer	3	PC
3	5.332-187.0	Helical spring	3	PC
4		Part at pump set	1	PC
5	5.060-936.3	Thrust guidance D 20	1	PC
6	7.306-094.0	Screw M6x25 -8.8-R3R (In6Rd)	2	PC
7		Part at pump set	3	PC
8		Part at pump set	3	PC
9		Part at pump set	3	PC
10	5.112-713.3	Bush	3	PC
11		Part at pump set	3	PC
12		Part at pump set	3	PC
13		Part at pump set	3	PC
14		Part at pump set	3	PC
15	7.306-430.0	Cylinder head screw M12x90- 10.9-A3K ISO 4762	4	PC



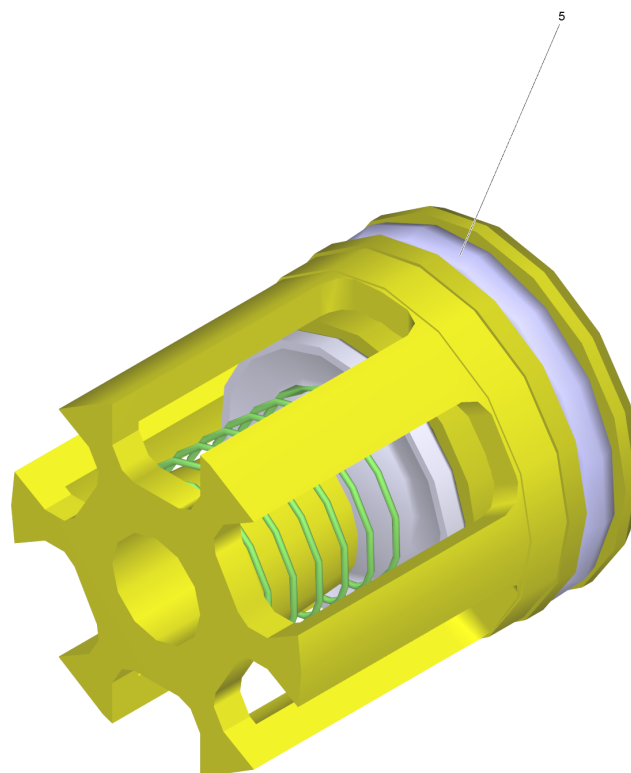
23 Valves

POS	Article no.	Description	Quantity	Unit
2	6.362-174.0	O-Ring seal 16,0 X 2,0-NBR 70	1	PC
3	7.306-118.0	Screw M 6x35 -8.8-R3R (In6Rd)	4	PC
4	4.427-216.0	Manifold complete	1	PC
5	6.362-469.0	O-Ring seal 21,95X 1,78	2	PC
6	5.583-177.0	Valve screw M20x1	3	PC
7	2.884-512.0	Valve (3 Stueck)	1	PC
9	4.423-027.0	Pressure gauge 0-30 MPa - nur fuer Ersat	1	PC
10	6.362-481.0	O-Ring seal 14,0 x 2,0 NBR 80	4	PC
11	5.583-146.3	Valve screw	3	PC
12	4.580-594.0	Valve complete	1	PC
13	5.411-166.0	CLOSING SCREW	1	PC
14	5.310-076.0	Nut	1	PC
15	5.443-291.0	Hose stem	1	PC
16	6.362-161.0	O-Ring seal 19,3 X 2,4	1	PC
17	6.362-169.0	O-Ring seal 12,0 X 2,0	1	PC
18	5.132-168.0	DRAIN PLUG	1	PC
19	5.037-101.0	Hook	1	PC



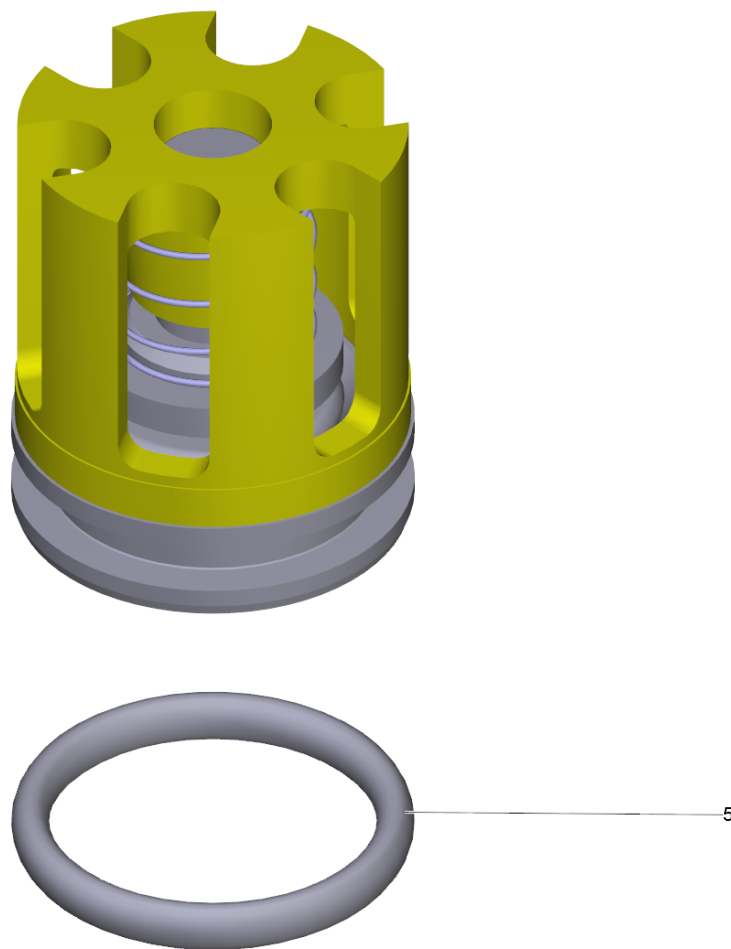
4 Manifold complete (4.427-216.0)

POS	Article no.	Description	Quantity	Unit
1	5.037-101.0	Hook	1	PC
2	5.132-168.0	DRAIN PLUG	1	PC
3	6.362-169.0	O-Ring seal 12,0 X 2,0	1	PC



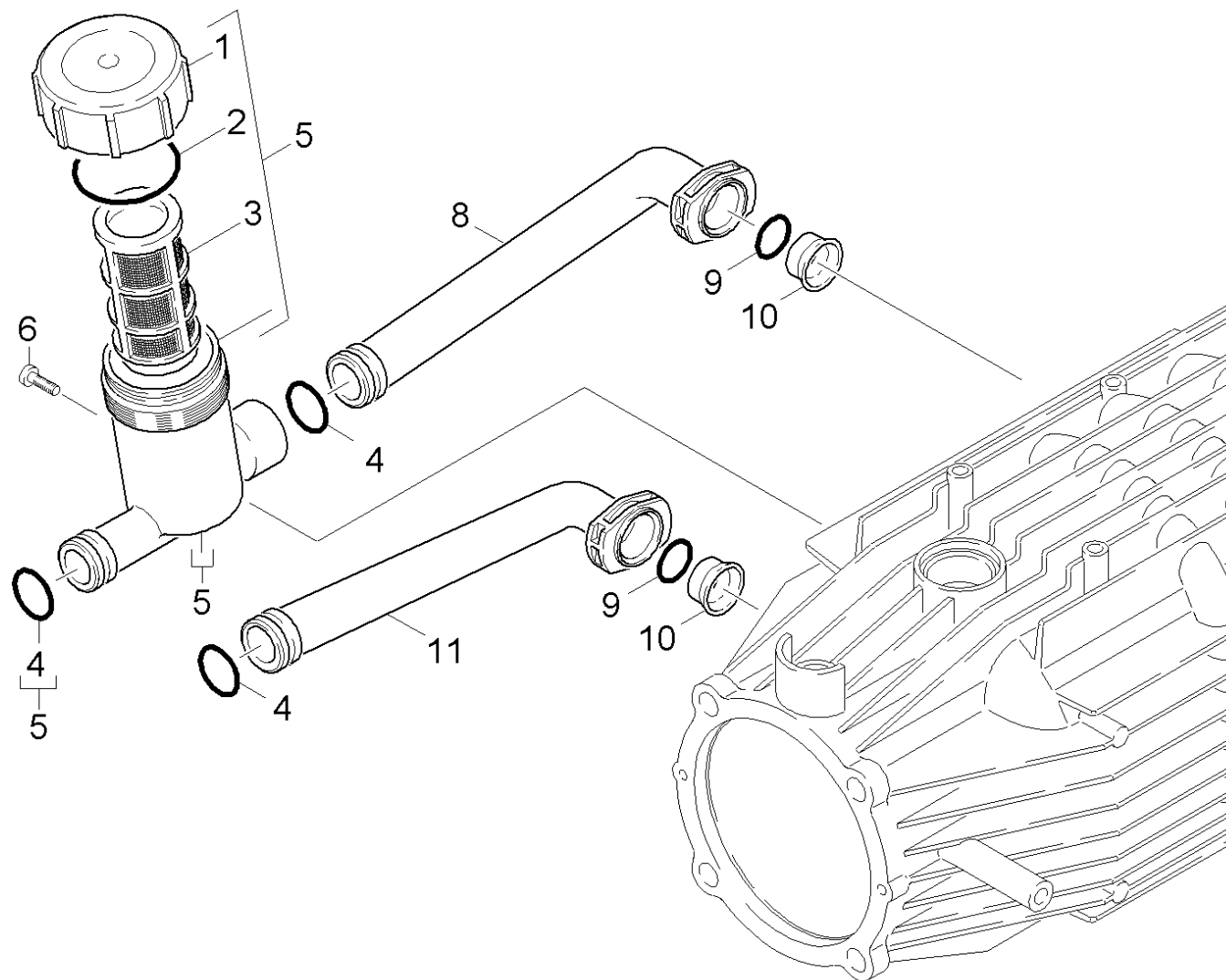
7 Valve (3 Stueck) (2.884-512.0)

POS	Article no.	Description	Quantity	Unit
5	6.363-003.0	O-Ring seal 13,0 X 2,0-NBR 90	1	PC



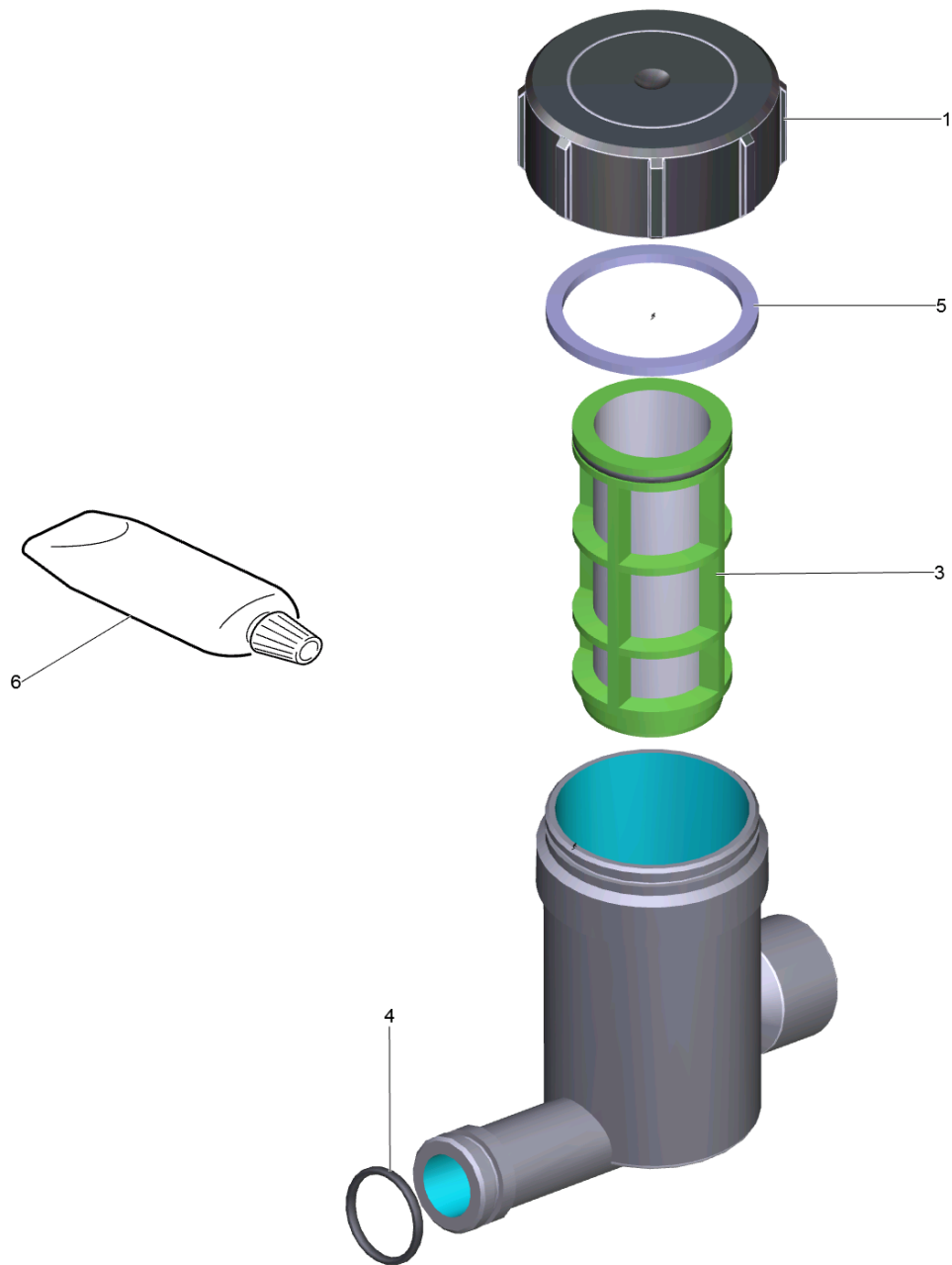
12 Valve complete (4.580-594.0)

POS	Article no.	Description	Quantity	Unit
5	6.362-381.0	O-Ring seal 13x2 - NBR 70	1	PC



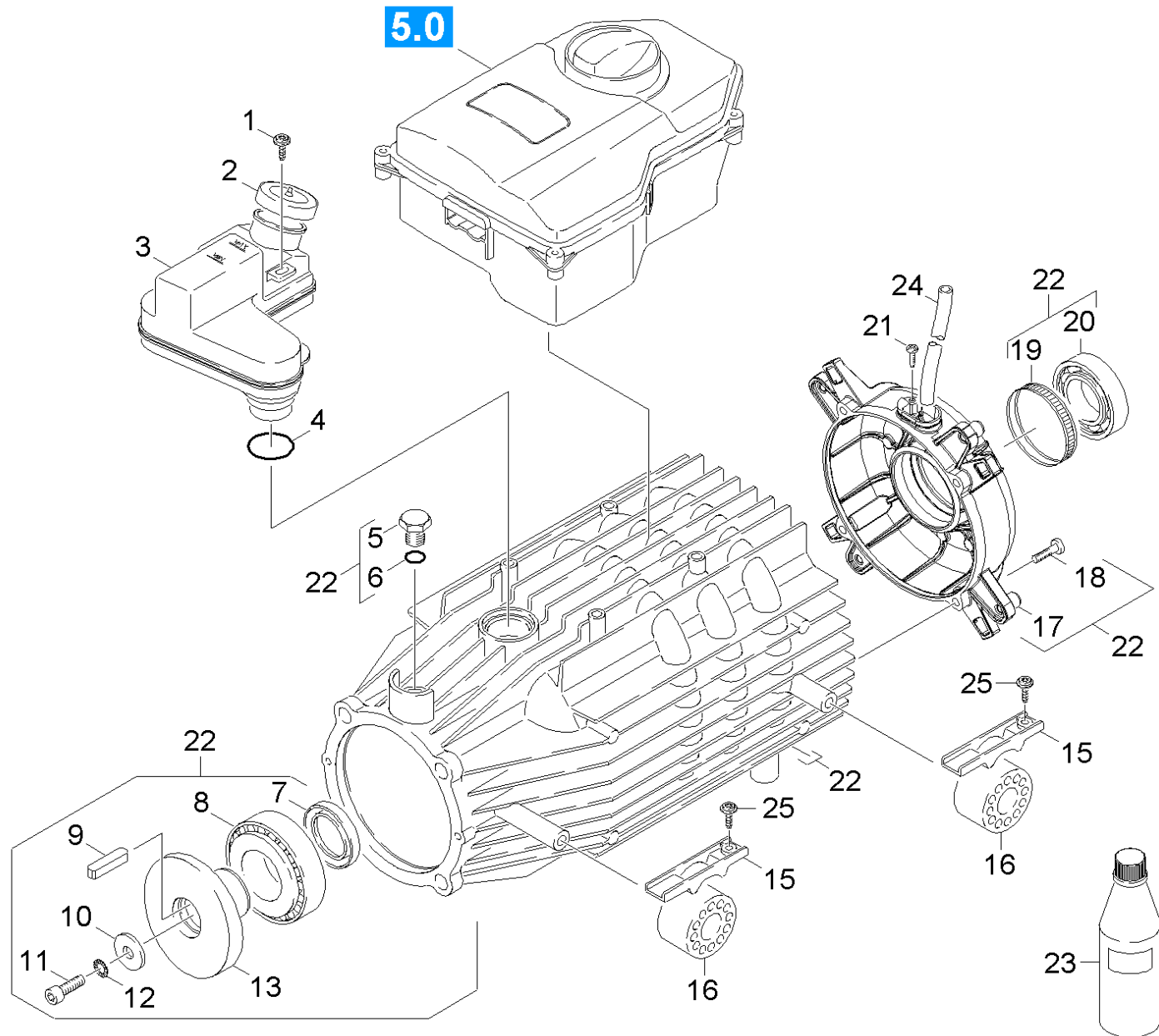
24 Water filter

POS	Article no.	Description	Quantity	Unit
1	5.064-453.0	Cover qusty grey	1	PC
2	5.363-613.0	Seal	1	PC
3	6.414-681.0	Filter cartridge	1	PC
4	6.362-686.0	O-Ring seal 20,0 X 3,0	3	PC
5	4.730-161.0	Filter complete	1	PC
6	6.303-153.0	Screw M5x15-ST-R2R (IN6RD)	1	PC
8	5.427-307.0	Manifold	1	PC
9	6.362-579.0	O-Ring seal 17,5 X 3,5	2	PC
10	5.110-341.0	Sleeve	2	PC
11	5.427-298.0	Manifold short	1	PC



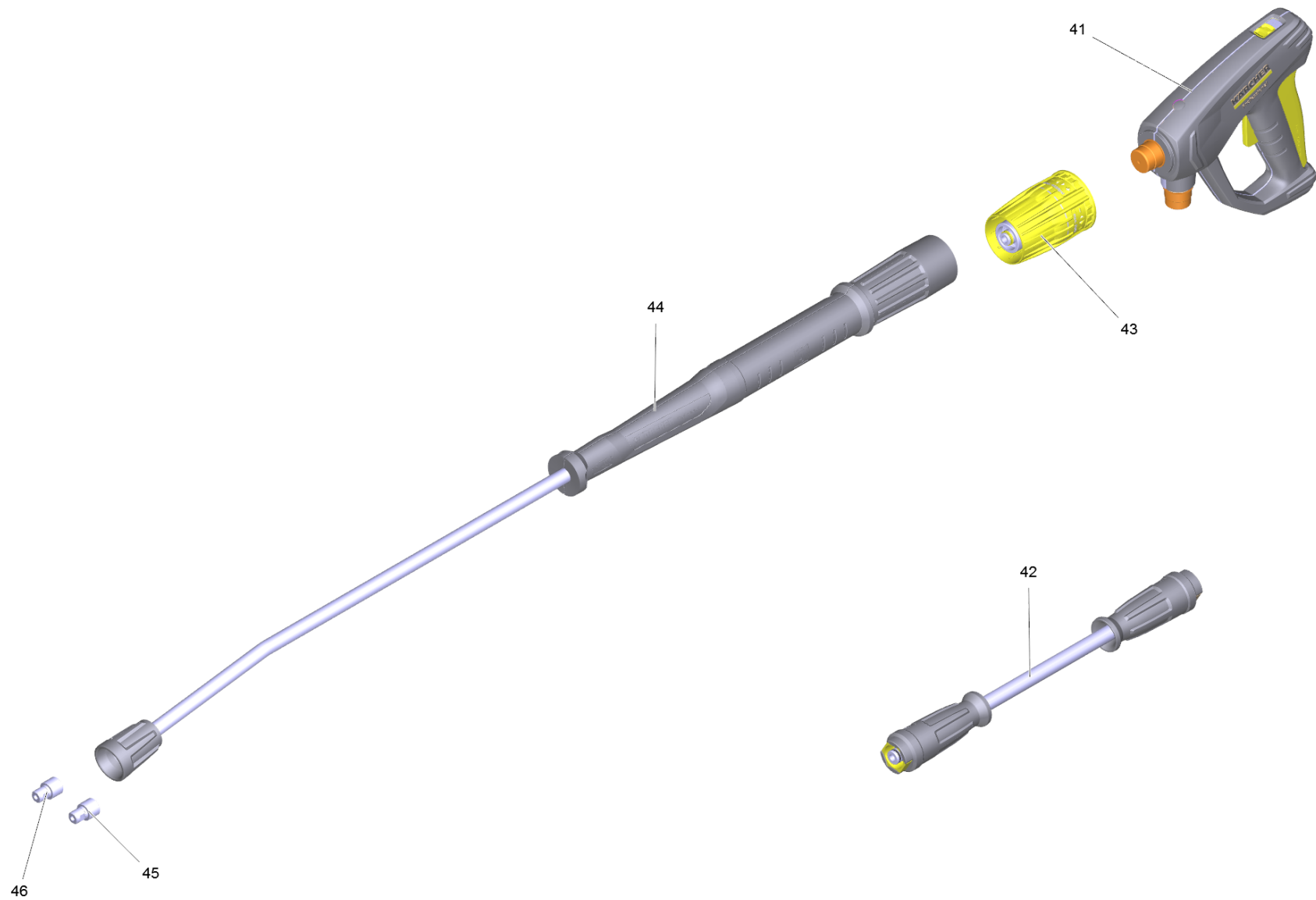
5 Filter complete (4.730-161.0)

POS	Article no.	Description	Quantity	Unit
1	5.064-453.0	Cover qusty grey	1	PC
3	6.414-681.0	Filter cartridge	1	PC
4	6.362-686.0	O-Ring seal 20,0 X 3,0	1	PC
5	5.363-613.0	Seal	1	PC
6	6.288-044.0	Silicon grease 100 G	1	PC



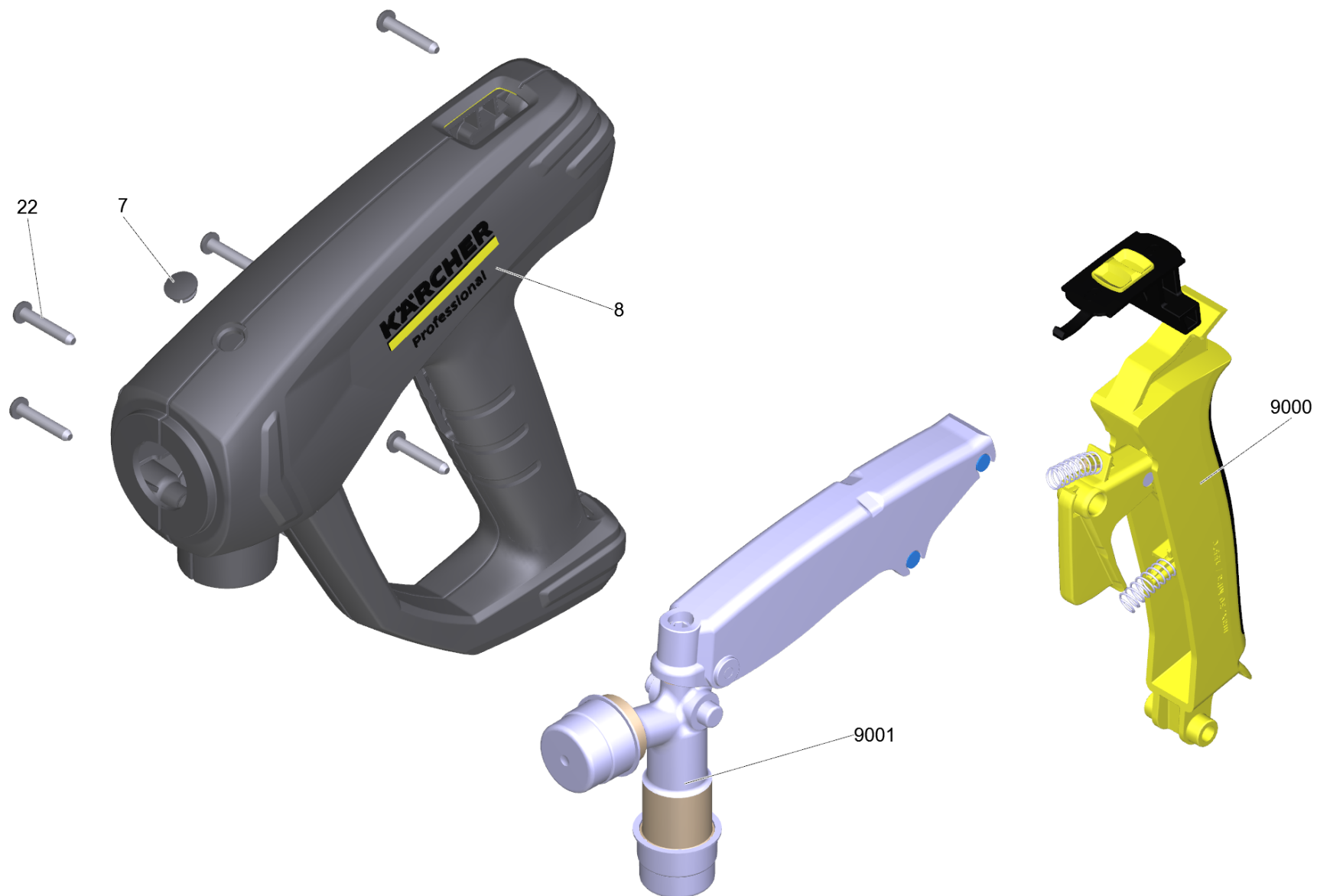
30 Motor

POS	Article no.	Description	Quantity	Unit	Foot note text
1	7.303-108.0	Screw 5x20 -10.9-R2R (In6Rd)	1	PC	
2	5.064-457.0	Cover plate qusty grey oil	1	PC	
3	5.070-604.0	Tank	1	PC	
4	6.362-722.0	O-Ring seal 28,0 X 3,0	1	PC	
5	5.411-100.0	Screw plug	2	PC	
6	6.362-028.0	O-Ring seal 11x2,2 NBR 70	2	PC	
7	7.367-009.0	Radial shaft seal ring A35x52x7-NBR DIN	1	PC	
8	6.401-225.3	Taper roller bearing 41	1	PC	
9	7.318-035.0	Parallel key 8x7x25 -C45K DIN 6885-1	1	PC	
10	5.115-565.0	Washer	1	PC	
11	7.306-041.0	Cylinder head screw M8x20 -8.8-A2E ISO	1	PC	
12	7.312-159.0	Toothed lock washer A8,4-FSt-PH DIN 6797	1	PC	
13	4.120-240.0	Wobble plate -nur für Ersatz-	1	PC	
15	5.802-288.0	Mounting part	4	PC	
16	5.767-005.0	Rubber buffer	4	PC	
17	5.061-186.0	Bearing cover B	1	PC	
18	6.303-515.0	Self-tapping screw M6x25	4	PC	
19	6.343-010.0	Tolerance ring 62x10	1	PC	
20	6.401-253.0	Ball bearing 6305-2Z	1	PC	
21	7.303-031.0	Screw M4x10 -St-P2R (In6Rd)	1	PC	
22	4.623-457.0	Motor complete only for replacement	1	PC	
23	6.288-016.0	Gear oil 1L	2	PC	
24	6.642-011.0	Insulating hose 10	1	m	TO ORDER AS CUT GOODS
25	7.303-110.0	Screw 5x35 -10.9-R2R (In6Rd)	4	PC	



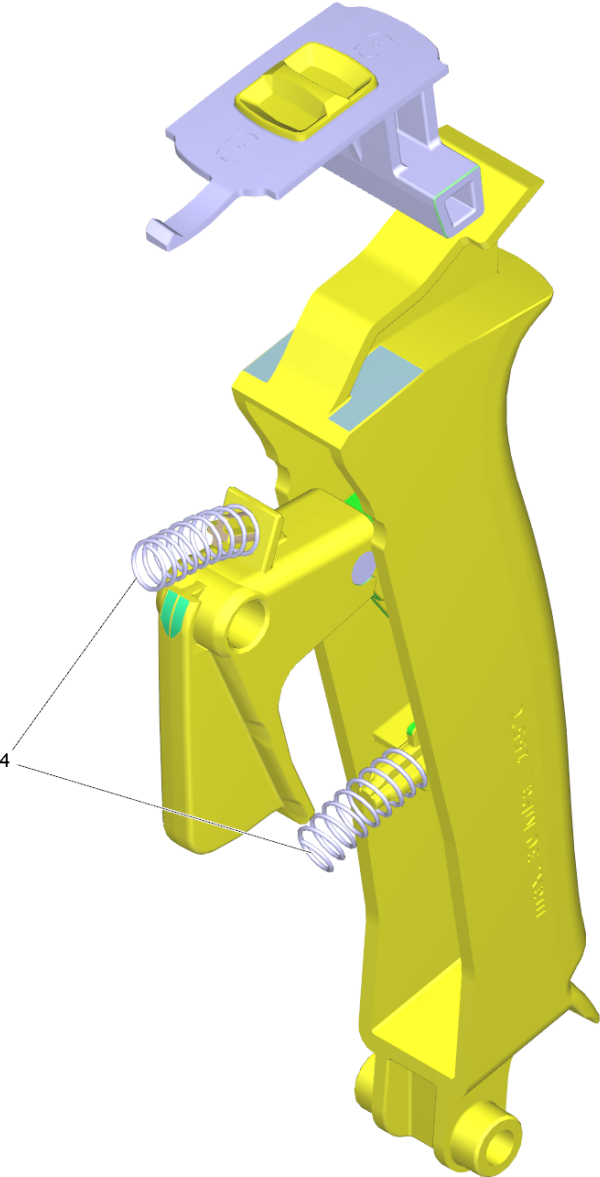
40 Accessories

POS	Article no.	Description	Quantity	Unit
41	4.118-005.0	EASY!Force Advanced	1	PC
42	6.110-031.0	Hose assembly TR rotatable DN8 31,5MPa 1	1	PC
43	4.112-000.0	Jet pipe TR 1050 mm	1	PC
44	2.113-024.0	Power nozzle TR 25052	1	PC
45	2.113-020.0	Nozzle chemical TR 25250	1	PC



41 EASY!Force Advanced (4.118-005.0)

POS	Article no.	Description	Quantity	Unit
7	5.132-001.0	Plug	1	PC
8	5.321-136.3	Handhold few EH 155 only for replacement	1	PC
22	7.303-096.0	Screw 4x22 -ST-10.9-R2R (IN6RD)	7	PC
9000	2.885-483.0	Spare part set lever	1	PC
9001	4.427-014.0	Manifold TR EH 155 nur fuer Ersatz	1	PC

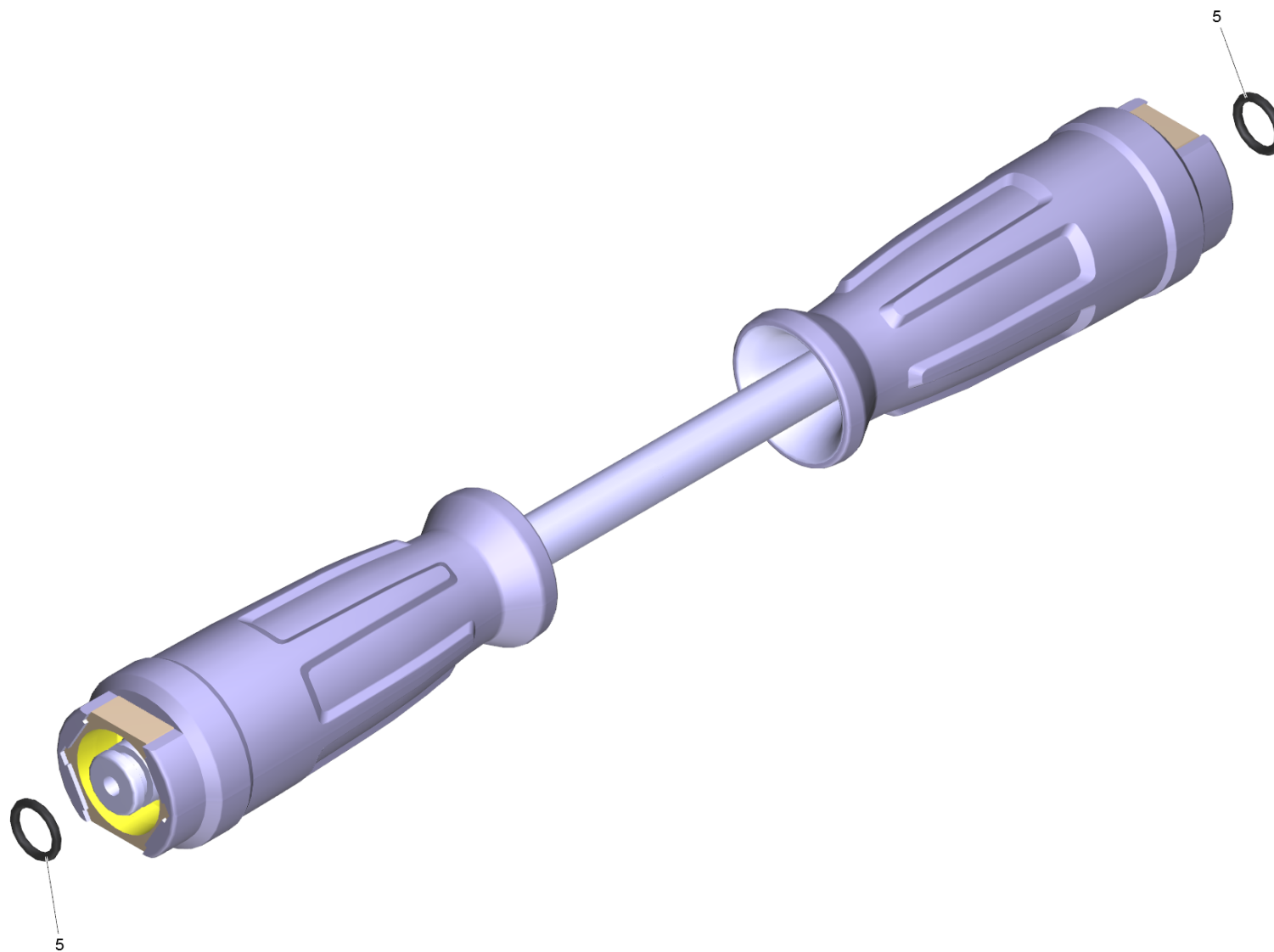


9000 Spare part set lever (2.885-483.0)

POS	Article no.	Description	Quantity	Unit
4	5.332-178.0	Helical spring	2	PC

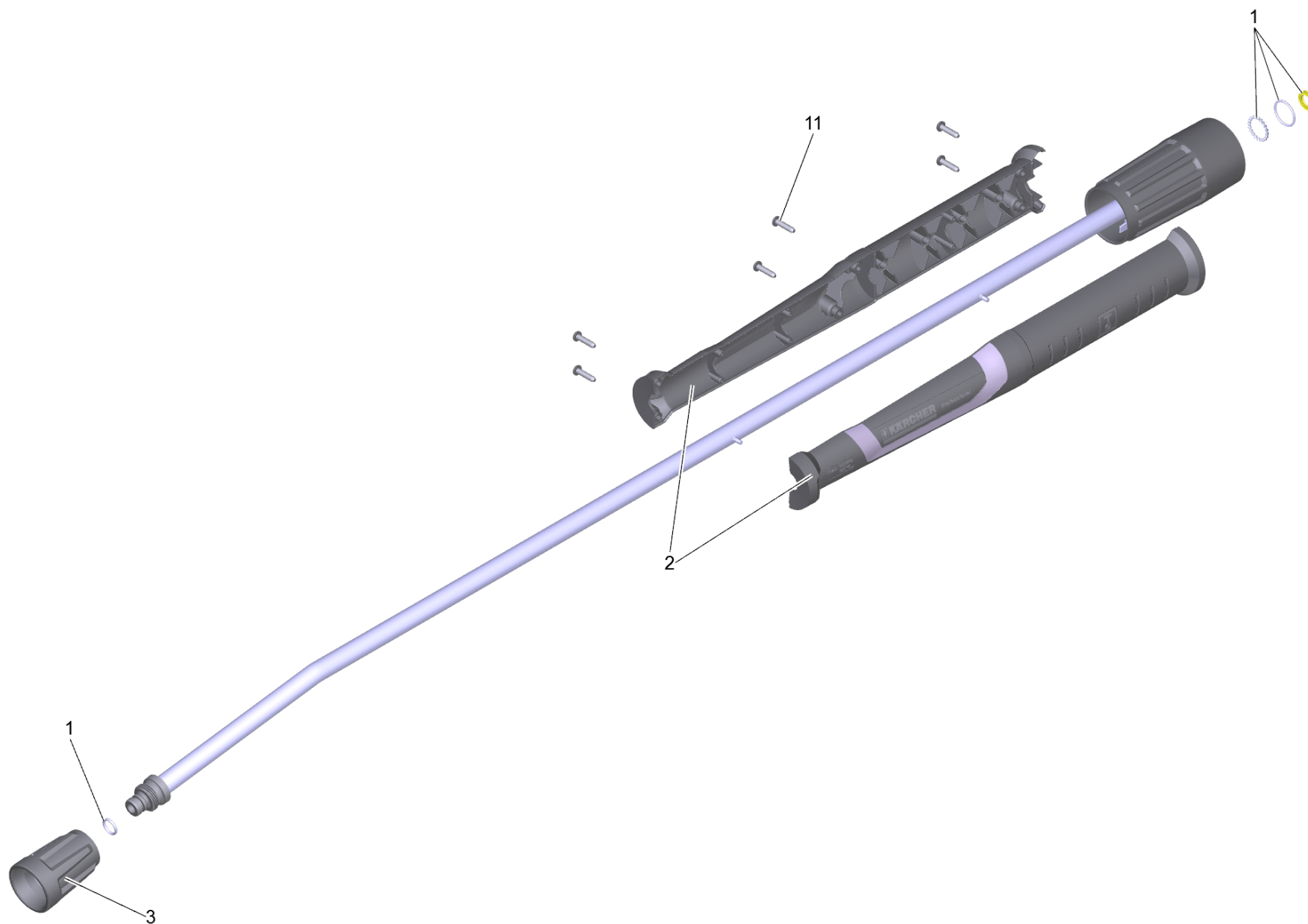
42 Hose assembly TR rotatable DN8 31,5MPa 1 (6.110-031.0)

POS	Description	Quantity	Unit
1	Hose assembly TR rotatable DN8 31,5MPa 1	1	PC



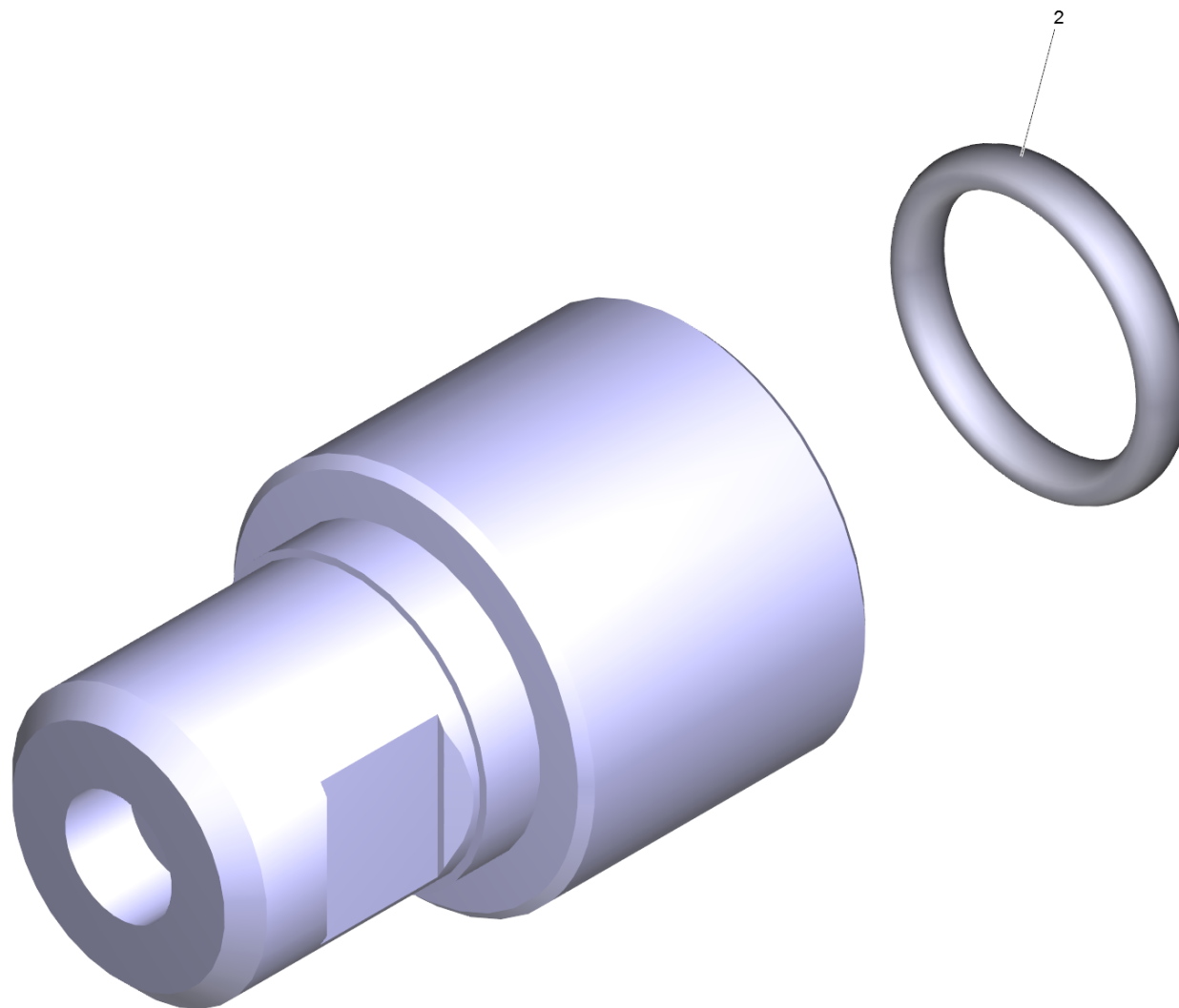
1 Hose assembly TR rotatable DN8 31,5MPa 1

POS	Article no.	Description	Quantity	Unit
5	2.880-154.0	O-Ring kit	1	PC



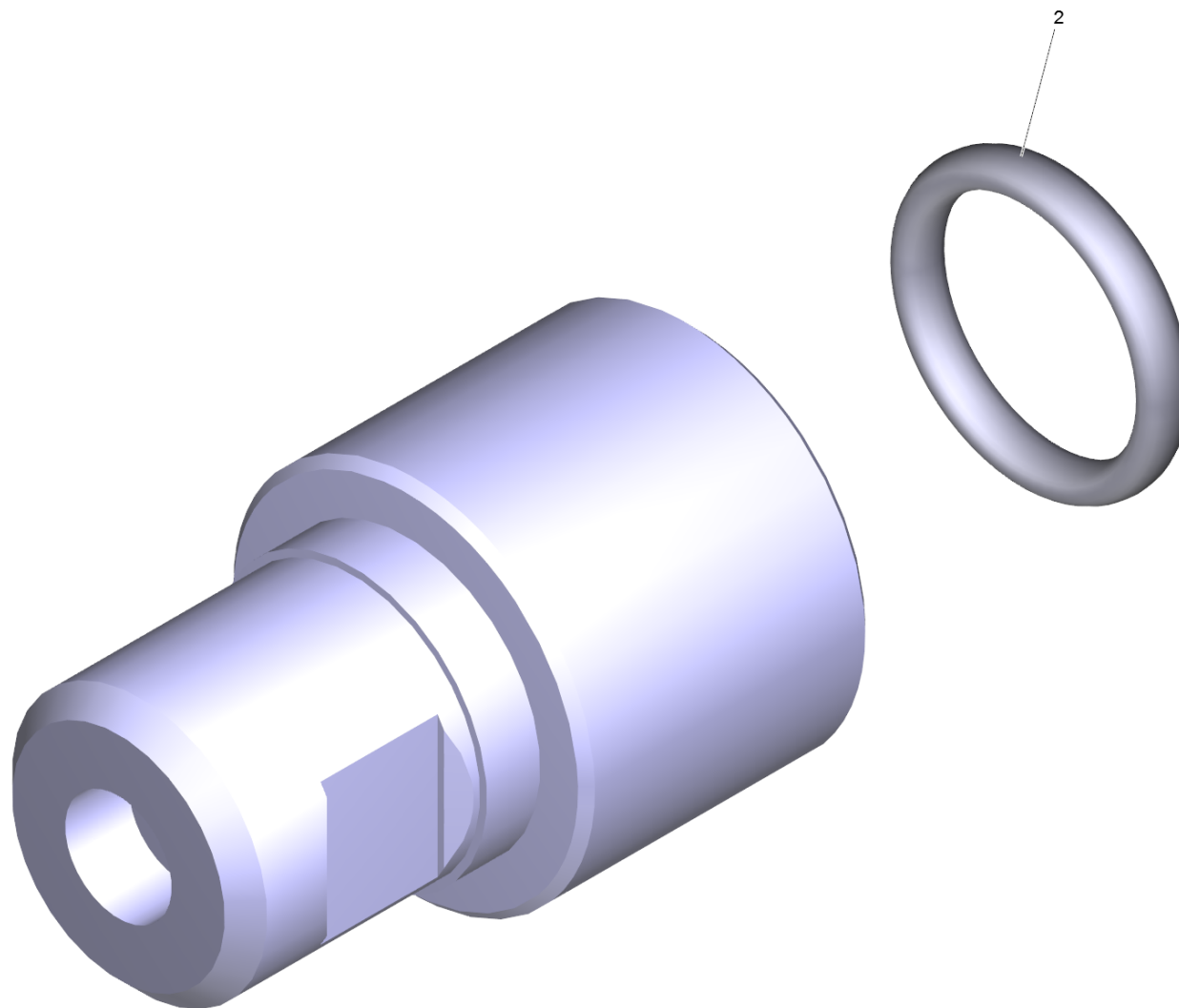
43 Jet pipe TR 1050 mm (4.112-000.0)

POS	Article no.	Description	Quantity	Unit
1	4.100-688.0	Spare part set seal TR	1	PC
2	5.321-018.3	Handle bowl jet pipe only for replacemen	1	PC
3	4.112-011.0	Protection part TR only for replacement	1	PC
11	7.303-129.0	Screw 4x16 -10.9-R2R (K-In6Rd)	6	PC



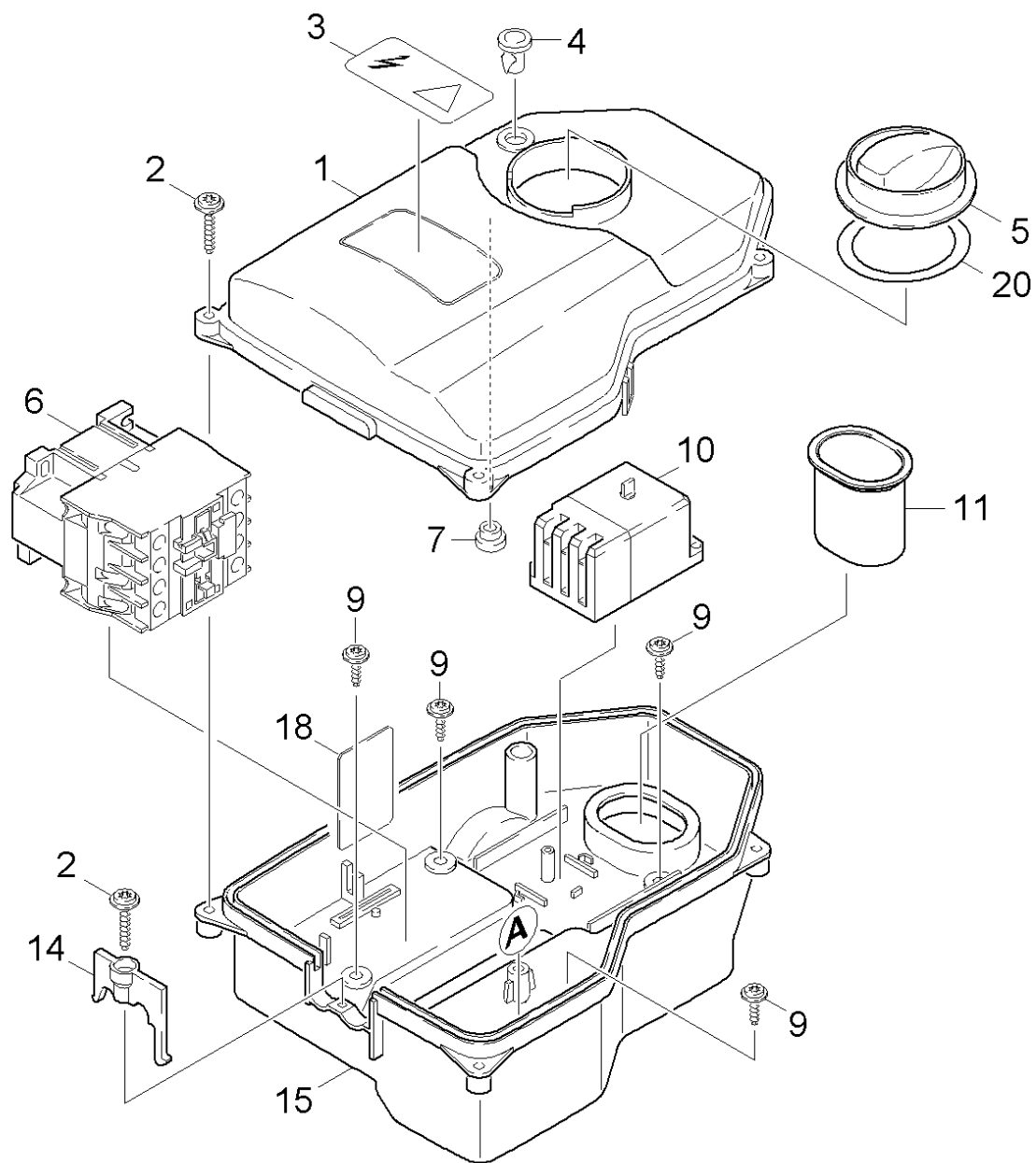
44 Power nozzle TR 25052 (2.113-024.0)

POS	Article no.	Description	Quantity	Unit
2	2.880-001.0	Spare part set seals TR	1	PC



45 Nozzle chemical TR 25250 (2.113-020.0)

POS	Article no.	Description	Quantity	Unit
2	2.880-001.0	Spare part set seals TR	1	PC



50 Electric box

POS	Article no.	Description	Quantity	Unit
1	5.064-234.0	Cover electric control box	1	PC
2	7.303-109.0	Screw 5x25 -10.9-R2R (In6Rd)	5	PC
3	5.388-512.0	Label	1	PC
4	6.651-506.0	Lens housing	1	PC
5	5.322-101.0	Handle yellow	1	PC
6	2.885-131.0	Contactactor -nur fuer Ersatz-	1	PC
7	6.641-446.0	Cable bushing	1	ZST
9	6.303-153.0	Screw M5x15-ST-R2R (IN6RD)	4	PC
10	6.631-190.0	Motor protecting switch	1	PC
11	5.365-302.0	Profile gasket	1	PC
14	5.263-051.0	Tensioning part	1	PC
15	5.062-145.0	Housing electric control box	1	PC
18	5.048-251.0	Plate	1	PC
20	5.363-616.0	Joint ring	1	PC