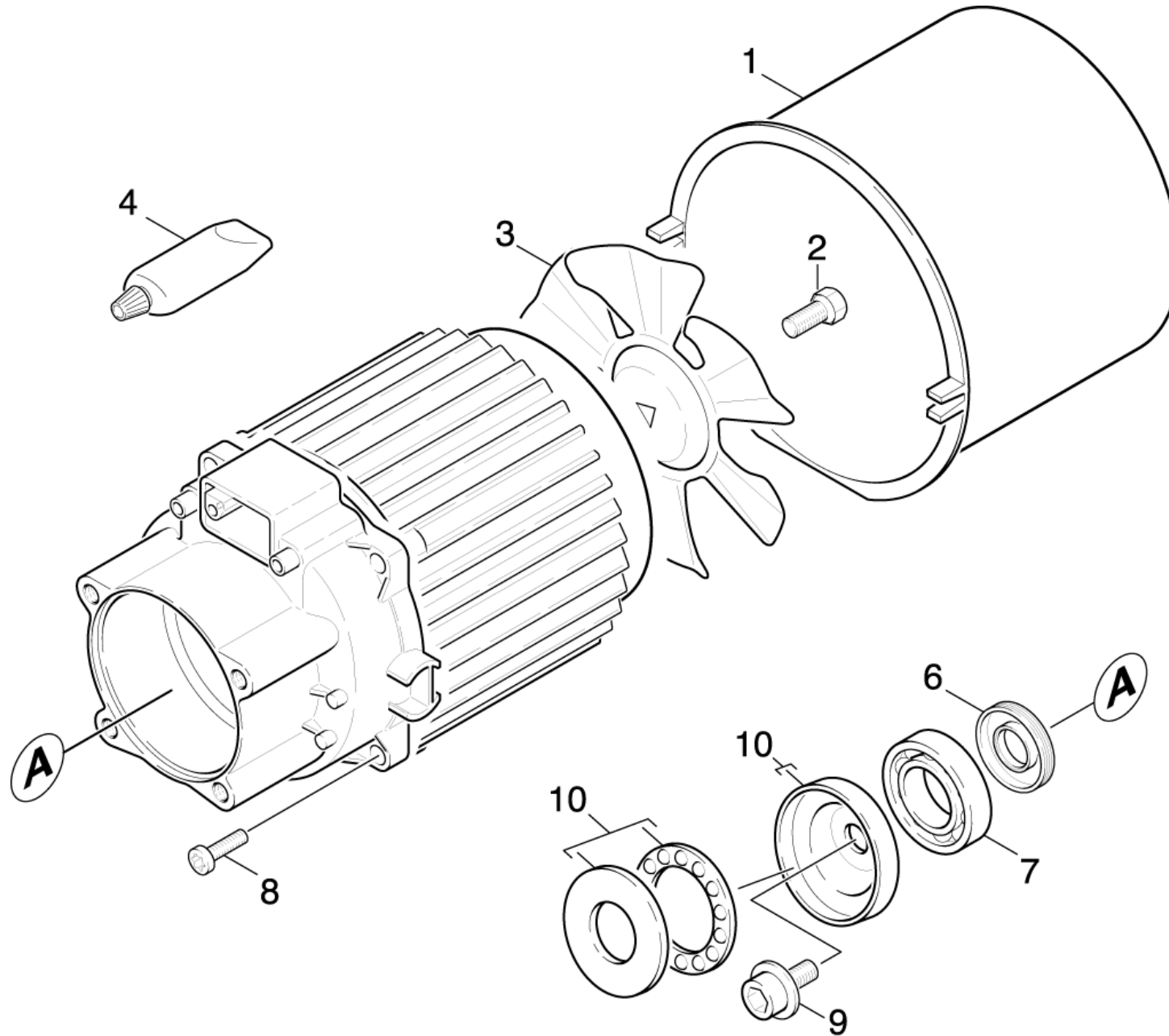


# 31 Motor

Home and Garden \ High pressure cleaner cold water \ Electric motor \ K 3 \ K 3.97MD-PLUS \*EU \ Spare parts list K 39X M \ Motor \ Motor



## 31 Motor

Home and Garden \ High pressure cleaner cold water \ Electric motor \ K 3 \ K 3.97MD-PLUS \*EU \ Spare parts list K 39X M \ Motor \ Motor

**KÄRCHER**

POS	Article no.	Description	Quantity	Unit
1	6.964-090.0	Housing blower	1.000	ST
2	7.304-395.0	Hexagonal head screw M8x16-8.8-A2E ISO	1.000	ST
3	9.039-102.0	Blower wheel	1.000	ST
4	6.964-092.0	Viscous oil 50ml	1.000	ST
6	9.078-004.0	Rotary shaft seal	1.000	ST
7	7.401-010.0	Ball bearing 6303 -St DIN 625	1.000	ST
8	6.303-320.0	Screw M 5x 20-St-R2R	4.000	ST
9	9.086-169.0	Wobble plate screw M8x16	1.000	ST
10	9.001-300.0	Wobble plate	1.000	ST
12	5.363-466.0	Joint ring	1.000	ST