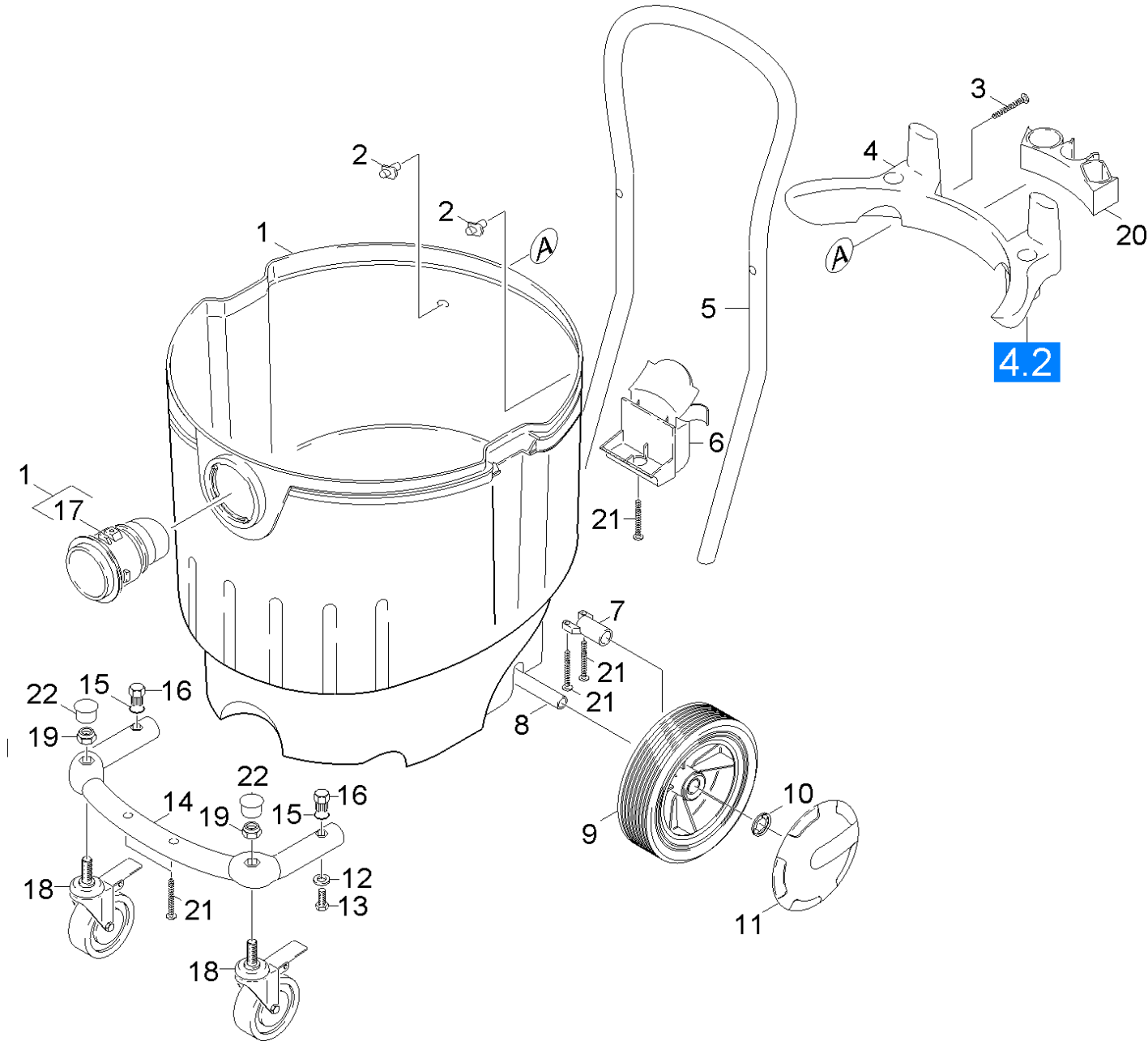


# 41 Tank individual parts

Professional \ Vacuum cleaner \ Wet-/dry vacuum cleaner \ NT 65/2 ECO \*EU to 1.667-235.0 \ Spare parts list NT 65/2 ECO \ Tank and drain hose \ Tank individual parts



## 41 Tank individual parts

Professional \ Vacuum cleaner \ Wet-/dry vacuum cleaner \ NT 65/2 ECO \*EU to 1.667-235.0 \ Spare parts list NT 65/2 ECO \ Tank and drain hose \ Tank individual parts

**KÄRCHER**

POS	Preces Nr.	Apraksts	Quantity	Unit
1	4.070-464.0	tank complete	1.000	ST
2	5.032-285.0	Fixing	2.000	ST
3	7.303-171.0	Skrūve 5x30 -10.9-R2R (K-In6Rd)	2.000	ST
4	5.032-261.0	holder access large	1.000	ST
5	5.034-658.0	Shearing shackle	1.000	ST
6	5.032-331.0	Holder floor nozzle	1.000	ST
7	5.032-286.0	Holder axle	2.000	ST
8	5.105-367.0	Ass	1.000	ST
9	6.435-196.0	Ritenis D 180	2.000	ST
10	6.343-168.0	Sprostpaplāksne	2.000	ST
11	6.435-197.0	Riteņa dekor. disks, cinka, dzeltena	2.000	ST
12	7.312-004.0	Paplāksne 8 -200HV-A3E ISO 7090	2.000	ST
13	6.303-285.0	Skrūve M 8x 40	2.000	ST
14	5.034-659.0	Retaining bracket steering rollers	1.000	ST
15	6.362-169.0	Gredzenblīve 12,0 X 2,0	2.000	ST
16	5.110-922.0	Bukse M8	2.000	ST
17	5.031-602.0	Suction connection	1.000	ST
18	6.435-384.0	Pagriezējveltnītis ar bremzi 75	2.000	ST
19	7.311-423.0	Sešstūra uzgr. M10 -04-A2E DIN 985	2.000	ST
20	5.032-262.0	Holder accessories	1.000	ST
21	7.303-086.0	Skrūve 5x30 -10.9-R2R (K-In6Rd)	7.000	ST
22	5.032-446.0	Spare part	2.000	ST