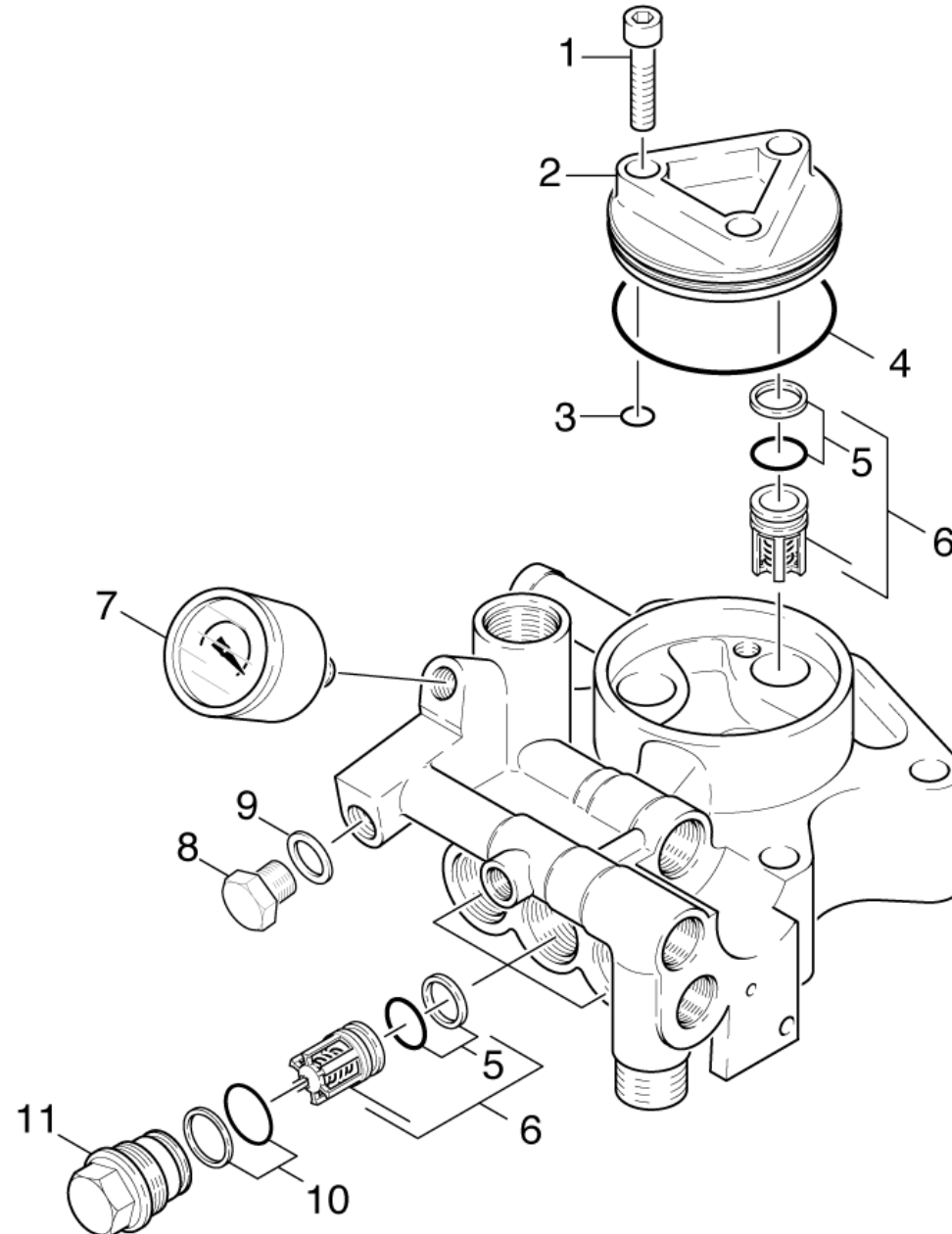


21 Valves

Professional \ High pressure cleaner cold water \ Electric motor \ HD 1094 *EU \ Spare parts list HD 1094 *EUR. \ Pump set \ Valves



21 Valves

Professional \ High pressure cleaner cold water \ Electric motor \ HD 1094 *EU \ Spare parts list HD 1094 *EUR. \ Pump set \ Valves

KÄRCHER

POS	Article no.	Description	Quantity	Unit
1	7.306-074.0	Cylinder head screw M10x35-8.8-A3E ISO4	3.000	ST
2	5.063-611.0	Cover housing	1.000	ST
3	6.363-615.0	O-Ring seal 11 x 1,5 -NBR70	3.000	ST
4	6.362-501.0	O-Ring seal 68,0 X 2,0-NBR 70	1.000	ST
5	4.363-693.0	O-Ring seal kpl. -nur fuer Ersatz-	6.000	ST
6	2.884-906.0	TRIPLE VALVE	2.000	ST
7	6.421-214.0	Pressure gauge 0-300 BAR	1.000	ST
8	5.411-117.0	Screw plug	1.000	ST
9	7.362-004.0	Joint ring A12x15,5 -Cu DIN 7603	1.000	ST
10	6.362-500.0	O-Ring seal complete /1ST.-R.	3.000	ST
11	5.583-125.0	Valve screw	3.000	ST