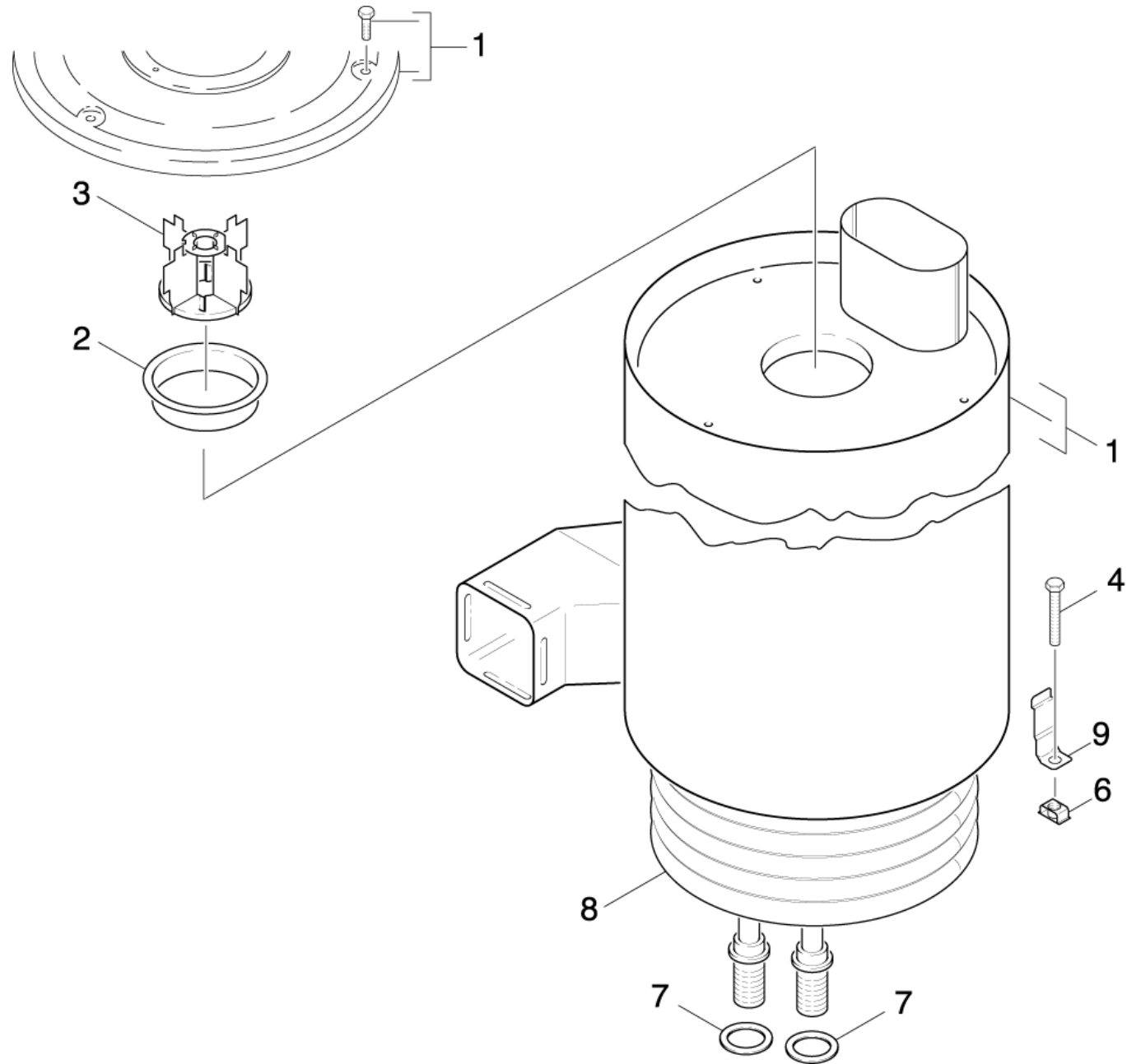


72 Heating coil

Professional \ High pressure cleaner hotwater \ Electric motor \ HDS 655 M ECO *EU \ Spare parts list HDS 655 M ECO \ Flow heater \ Heating coil



72 Heating coil

Professional \ High pressure cleaner hotwater \ Electric motor \ HDS 655 M ECO *EU \ Spare parts list HDS 655 M ECO \ Flow heater \ Heating coil

KÄRCHER

POS	Article no.	Description	Quantity	Unit	Foot note text
2	5.664-196.0	Baffle plate	1.000	ST	
	Item text1: 1.026-348.0				
3	4.663-073.0	Baffle plate complete	1.000	ST	
6	6.310-081.0	Cage nut M 8	3.000	ST	
2	5.664-207.0	Flame tube	1.000	ST	
	Item text1: 1.026-303.0 /-304.0 /-345.0 /-346.0				
	Item text2: /-347.0				
8	4.680-135.0	Heating coil	1.000	ST	
	Item text1: / 1.026-303.0 / -304 / -345.0 / -346.0				
8	4.680-123.0	Heating coil	1.000	ST	
	Item text1: 1.026-347.0 /-348.0				
8	4.680-114.0	Heating coil VA	1.000	ST	EDELSTAHLAUSFUEHRUNG
	Item text1: 1.026-347.0 /-348.0				
8	4.680-137.0	Heating coil VA	1.000	ST	EDELSTAHLAUSFUEHRUNG
	Item text1: / 1.026-303.0 / -304 / -345.0 / -346.0				
4	7.304-051.0	Hexagonal head screw M 8x16-8.8-P2R EN	3.000	ST	
9	5.044-420.0	Holder	3.000	ST	
1	4.652-123.0	Outer covering	1.000	ST	
	Item text1: 1.026-348.0				
7	5.365-068.0	Profile gasket	2.000	ST	
1	4.652-131.0	Vessel mantel complete	1.000	ST	
	Item text1: 1.026-303.0 /-304.0 /-345.0 /-346.0				
	Item text2: /-347.0				