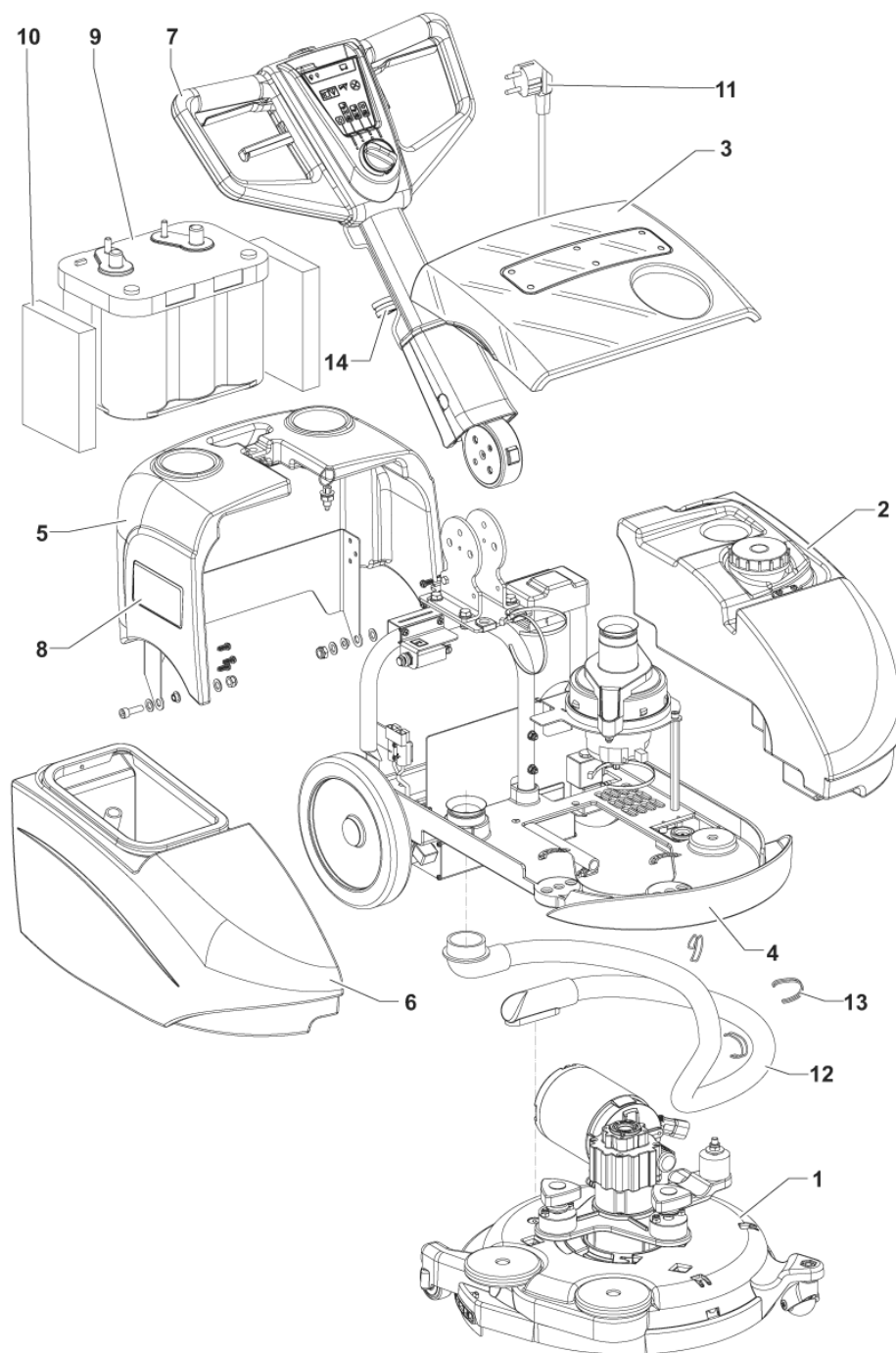


Parts Diagrams and Lists



TABLE OF CONTENTS

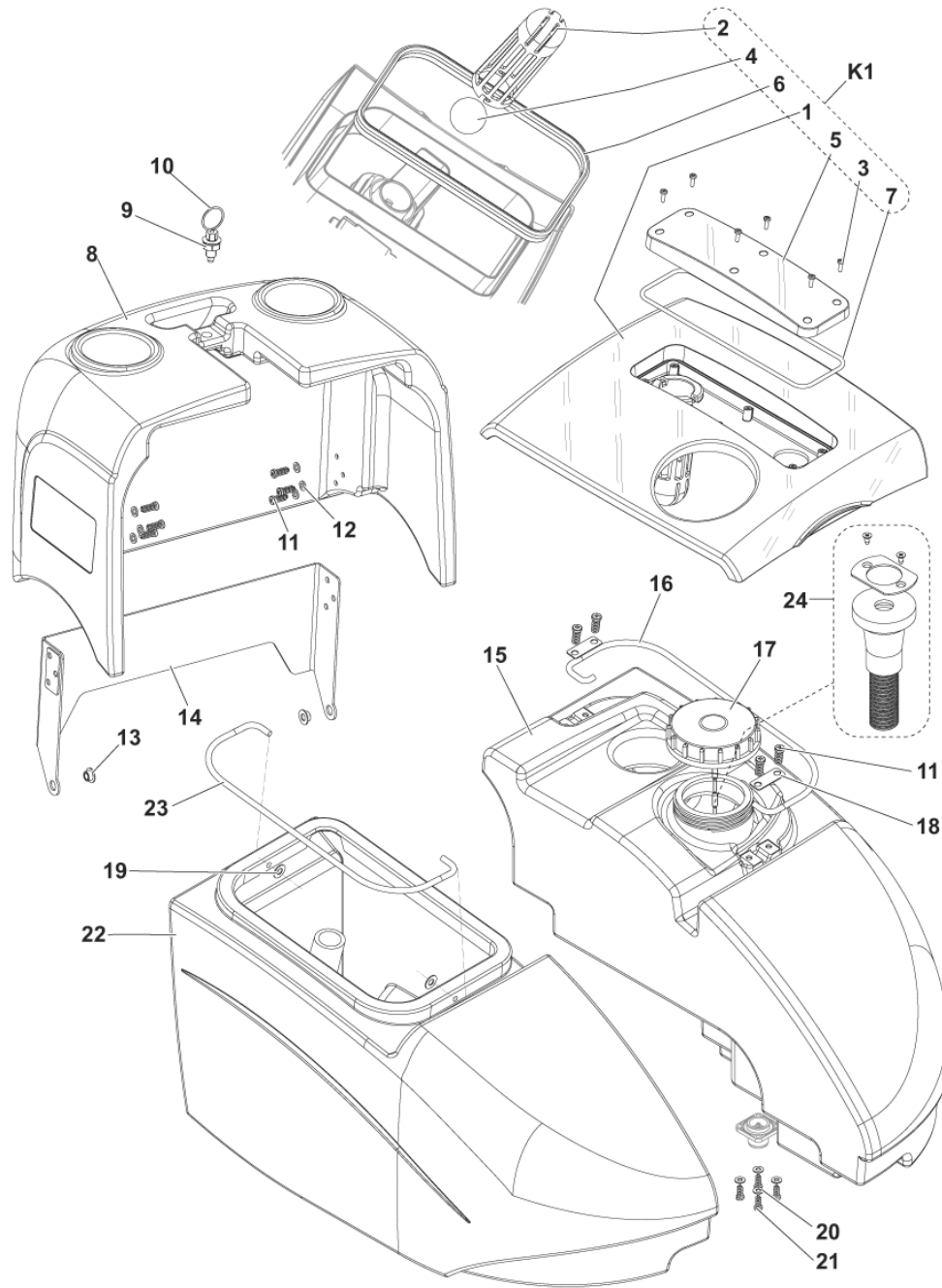
GENERAL VIEW	1
COVER AND TANKS	3
FRAME SYSTEM	5
HANDLE SUPPORT SYSTEM	7
HANDLE SYSTEM	9
MOTOR AND DECK SYSTEM	13
BRUSH DECK SYSTEM	15
ACCESSORIES	17
WIRING DIAGRAM	19
RECOMMENDED SPARE PARTS	21
OPTIONALS AND ACCESSORIES	23



Pos.	Product no	QTY	Description	Notes
1		1	BRUSH DECK	[1]
2		1	SOLUTION TANK	[2]
3		1	COVER TANK	[2]
4		1	FRAME	[3]
5		1	BATTERY COVER	[3]
6		1	RECOVERY TANK	[2]
7		1	HANDLE	[4]
8	9100000079	1	DECALS KIT SC351 NIL	[5]
8	9100000080	1	DECALS KIT SC351 ADV	[6]
9	9098977000	1	BATTERY 12V 55AH	[7]
9	1464853000	1	BATTERY DISCOVER 12V 84Ah	[8]
10	9098934000	2	PANEL BATTERY 30X170X110MM	
11	9098676000	1	CABLE EXTENSION EU PLUG L.2000MM	[5]
11	909 5676 000	1	CABLE EXTENSION UK PLUG L.1000MM	[5]
11	9096914000	1	CABLE EXTENSION US PLUG L.1500MM	[6]
12	9099706000	1	HOSE SUCTION D.25	
13	9100000213	1	RINGS SPRING KIT	
14	9099301000	1	HARDWARE GENERAL VIEW KIT	

Part Notes:

- [1] - BRUSH DECK
- [2] - COVER AND TANKS
- [3] - FRAME SYSTEM
- [4] - HANDLE SYSTEM
- [5] - NILFISK VERSION
- [6] - ADVANCE VERSION
- [7] - ONLY FOR NILFISK
- [8] - OPTIONAL FOR NILFISK
STANDARD FOR ADVANCE



COVER AND TANKS

SC351 NIL

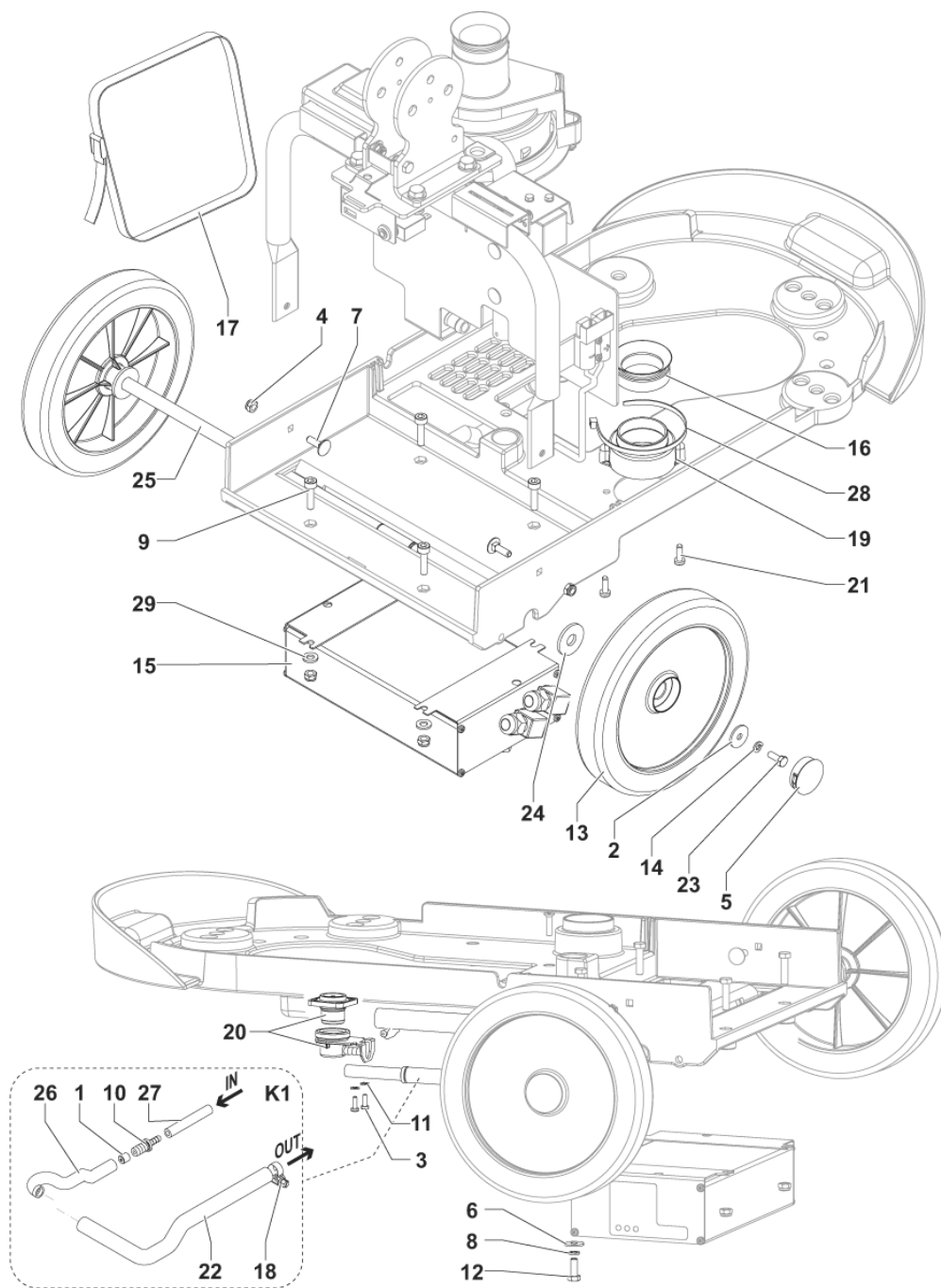
2015.05.19

2015.04.23

Pos.	Product no	QTY	Description	Notes
1		1	K1	
2	L08603088	1	CAGE FLOAT	
3		6	K1-K2	
4	L08092600	1	BALL FLOATING	
5		1	K1	
6	9099127000	1	GASKET RUBBER L.705MM PKD	
7		1	K1	
8	9098318000	1	BATTERY COVER	
9	145 1147 000	1	WASHER 10.2X18.8X0.35 10.2x18.8X0.35	
10	1466331000	1	PLUNGER M10 D.6 W/NUT PKD	
11		10	K2	
12		6	K2	
13		2	K2	
14	9098309000	1	SUPPORT BATTERY COVER	
15	9098149000	1	TANK SOLUTION RAL 7001	
16	9100000104	1	HANDLE SOLUTION TANK	
17	9099155000	1	CAP THREADED 70X5	
18	9098621000	2	PLATE HANDLE TANK	
19	9098473000	2	COVER PIN	
20		4	K2	
21		4	K2	
22	9098148000	1	TANK RECOVERY RAL7001	
23	9100000103	1	HANDLE RECOVERY TANK	
24*	9099011000	1	HOSE FILLING KIT	[1]
K1	9098989000	1	COVER KIT	
[K2]	9098990000	1	HARDWARE COVER AND TANKS KIT	[2]

Part Notes:

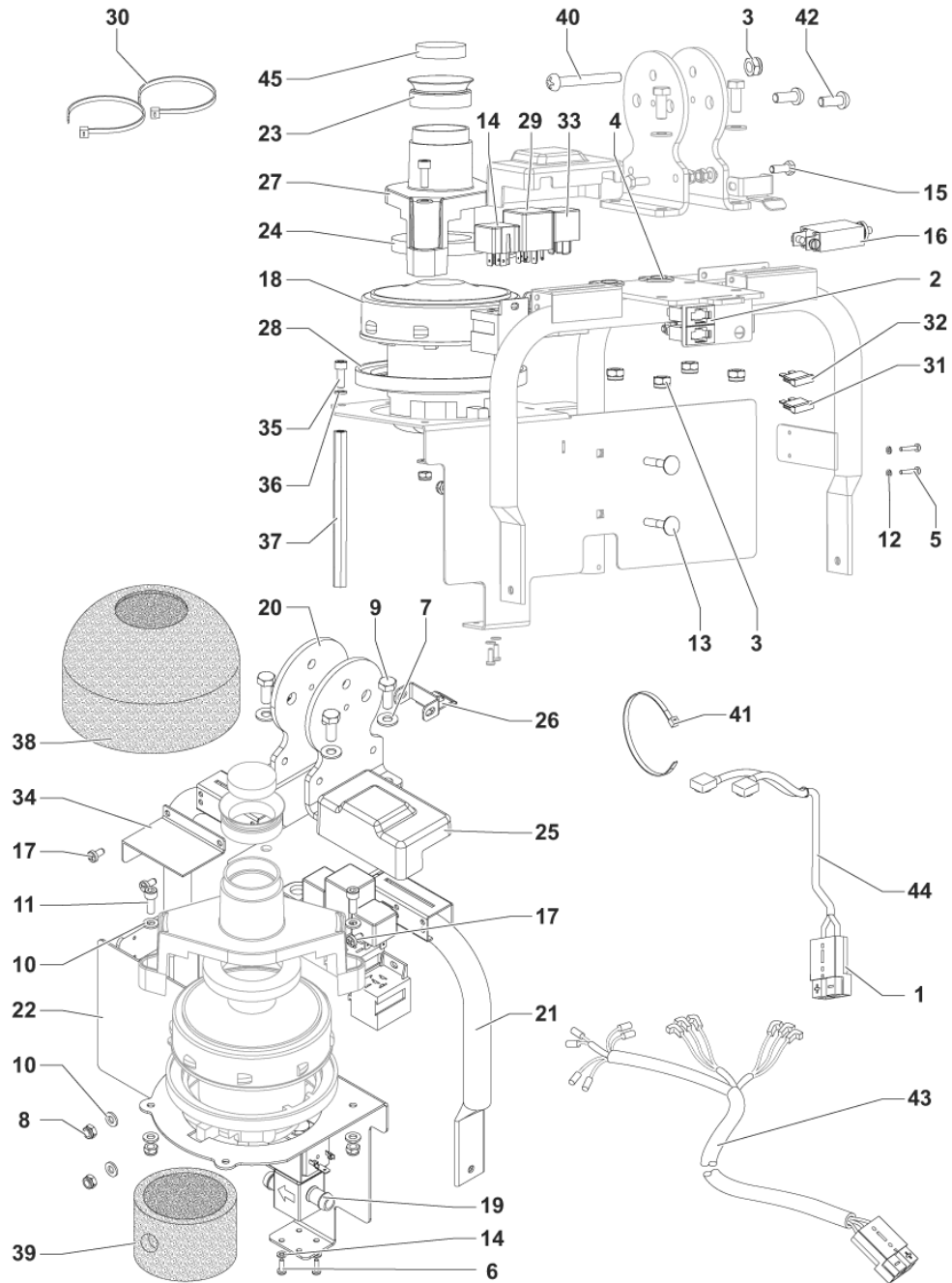
- [1] - OPTIONAL
 [2] - NOT SHOWN



Pos.	Product no	QTY	Description	Notes
1		1	K1	
2		2	K2	
3		2	K2	
4		3	K2	
5		2	K2	
6		2	K2	
7		2	K2	
8		3	K2	
9		4	K2	
10		1	K1	
11		2	K2	
12		2	K2	
13	9099732000	2	WHEEL D.214 GREY/BLACK	
14		2	K2	
15	9100000713	1	CHARGER BATT. O/B 12V 15A 230V EU KIT	[1]
15	9099795000	1	CHARGER BATT. O/B 12V 12A 100-230V JP	[2]
15	9099794000	1	CHARGER BATT. O/B 12V 12A 100-230V US	[3]
16	9098319000	1	GASKET	
17	146 3054 000	1	BELT BATTERY FIXING	
18		1	K1	
19	9099719000	1	SUPPORT FOR GASKET	
20	9100000514	1	VALVE WATER COMPLETE PKD	
21		2	K2	
22		1	K1	
23		2	K2	
24		2	K2	
25	9099352000	1	PIN D.12	
26		1	K1	
27		1	K1	
28		1	K2	
29		4	K2	
K1	9098992000	1	HOSE KIT	[4]
K1	9100000476	1	HOSES SOLENOID VALVE 12V KIT	[5]
[K2]	9100000083	1	HARDWARE CHASSIS KIT	[6]

Part Notes:

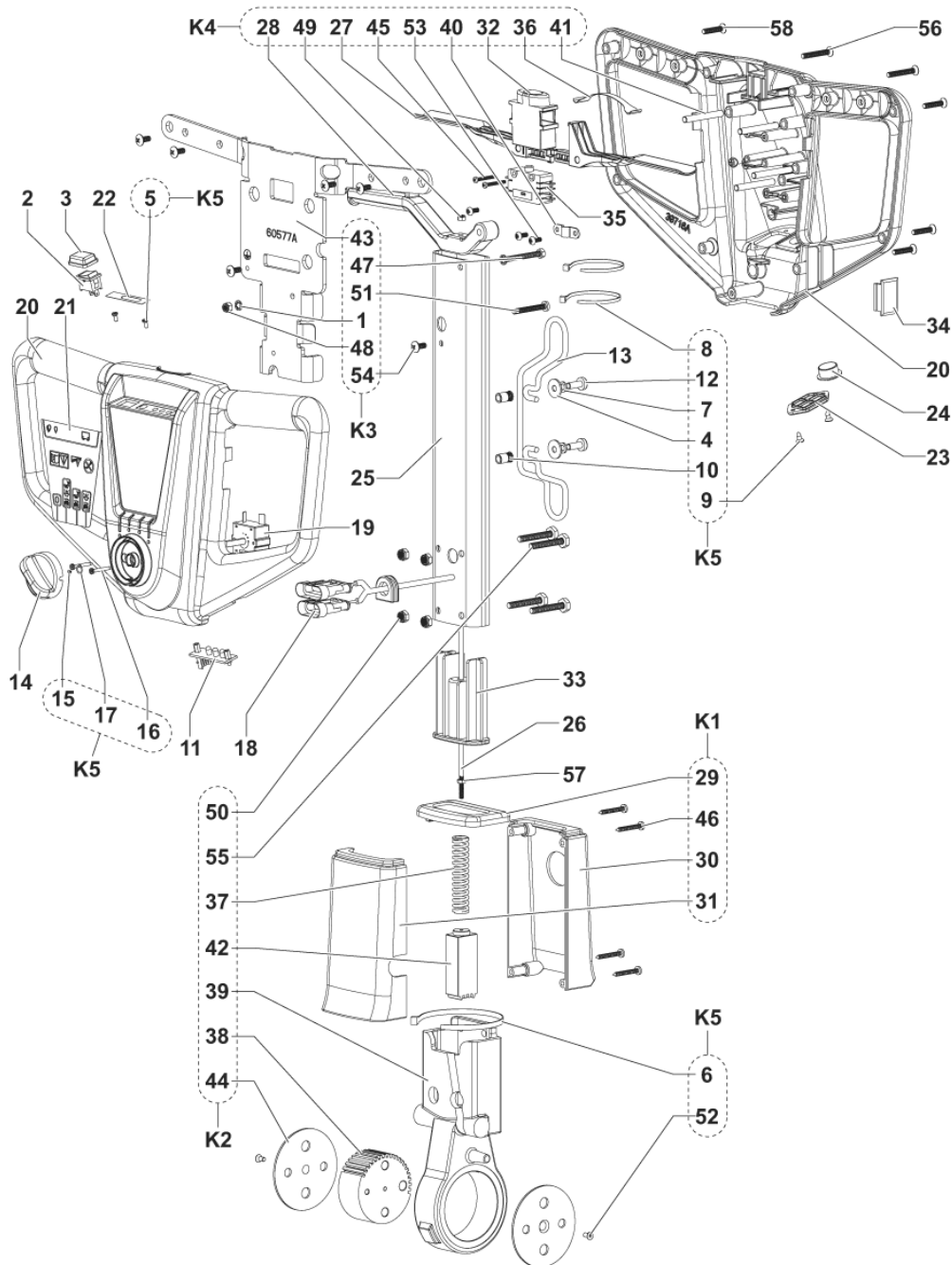
- [1] - TEMP. BLOCKED RAWMATERIAL QUALITY ISSUE
NILFISK VERSION - INST.INSTR. 9100000712- SEE TSB-FC-2014-042
- [2] - NILFISK VERSION
- [3] - ADVANCE VERSION
- [4] - UNTIL SN 3510145009117
- [5] - STARTING SN 3510145009118
- [6] - NOT SHOWN



Pos.	Product no	QTY	Description	Notes
1	9098760000	2	CONNECTOR 50A GREY	
2	9098924000	2	FUSE HOLDER	
3		5	K1	
4	909 6542 000	2	GROMMET	
5		2	K1	
6		3	K1	
7		4	K1	
8		8	K1	
9		4	K1	
10		8	K1	
11		2	K1	
12		2	K1	
13		2	K1	
14	9098441000	1	RELAY 12V	
15		2	K1	
16	9099802000	1	CIRCUIT BREAKER 35A KIT	
17		4	K1	
18	9100001238	1	MOTOR VACUUM 12V 200W SEALED PKD	
19	9098112000	1	SOLENOID VALVE 12V	[1]
19	9100000475	1	SOLENOID VALVE 12V PKD	[2]
20	9098185000	2	BRACKET HANDLE	
21	9100001411	1	SUPPORT HANDLE PKD	
22	9098268000	1	SUPPORT VACUUM MOTOR	
23	9098319000	1	GASKET	
24	9098327000	1	GASKET VACUUM MOTOR	
25	9098365000	1	COVER RELAY	
26	9098482000	1	BRACKET PLUNGER BLOCK	
27	9098483000	1	COVER VACUUM MOTOR	
28	9098554000	1	GASKET VACUUM MOTOR	
29	9098375000	1	TIMER CYCLICAL	
30		2	K1	
31	145 8513 000	1	FUSE BLADE 30A UL	
32	145 9852 000	1	FUSE BLADE 5A UL	
33	146 3113 000	1	RELAIS 12V 70 A TYCO	
34	9099731000	1	SUPPORT CIRCUIT BRAKER	
35		2	K1	
36		3	K1	
37	9098559000	1	SPACER SUPPORT VACUUM MOTOR	
38	9098656000	1	CASING VACUUM MOTOR	
39	9098925000	1	CASING LOWER VACUUM MOTOR	
40		1	K1	
41		4	K1	
42		2	K1	
43	9099330000	1	HARNES MACHINE	[1]
43	9100000477	1	HARNES MACHINE PKD	[3]
43	L08603885	1	CONNECTOR TYPE DIN 46340	[3]
44	9098849000	1	HARNES BATTERY	
45	9100001278	1	FILTER VACUUM MOTOR PKD	
K1	9100000084	1	HARDWARE HANDLE BAR SUPPORT KIT	[4]

Part Notes:

- [1] - UNTIL SN 3510145009117
 [2] - SOLENOID VALVE W/ HOSE - STARTING SN 3510145009118
 [3] - STARTING SN 3510145009118
 [4] - NOT SHOWN



Pos.	Product no	QTY	Description	Notes
1		3	K3	
2	L08603153	1	SWITCH PUMP	
3	L08603154	1	HJGH	
4		2	K5	
5		2	K5	
6		1	K5	
7		2	K5	
8		2	K5	
9		2	K5	
10		2	K5	
11	146 3073 000	1	BOARD LED	
12		2	K5	
13	1466317000	1	SUPPORT CABLE KIT	
14	9097283000	1	KNOB CONTROL FUNCTIONS	
15		1	K5	
16		2	K5	
17		1	K5	
18	9099331000	1	HARNES HANDLE BAR	
19	9099332000	1	SWITCH ROTATIVE 4 POSITIONS	
20	910000101	1	COVERS HANDLE GERY KIT	
21	9099733000	1	DECAL CONTROL PANEL	
22	9098616000	1	DECAL BATTERY LED	
23	9098812000	1	CAP FOR HANDLE	
24	9098813000	1	CAP D.18.5/D.24MM BLACK	
25	9098835000	1	TUBE OF HANDLE	
26	9098836000	1	ROD INDEX	
27		2	K4	
28		1	K4	
29		1	K1	
30		1	K1	
31		1	K1	
32		1	K4	
33	VF47033	1	RETAINER	
34	VF54041	1	HANDLE PLUG	
35	40263A	1	SWITCH DPST	
36		1	K4	
37		1	K2	
38		1	K2	
39		1	K2	
40		1	K4	
41		4	K4	
42		1	K2	
43		1	K3	
44		2	K2	
45		2	K4	
46		4	K1	
47		1	K3	
48		1	K3	
49		1	K4	
50		4	K2	
51		1	K3	
52		2	K5	
53		3	K4	
54		6	K3	
55		4	K2	
56	80398A	2	SCREW M5X35 SS HEAD PHILLIPS	
57	VV13609	1	NUT M4	
58	80407A	4	SCREW M5X25 SS FLAT HEAD PHILLIPS	
K1	11271A	1	REAR AND FRONT COVER KIT	

HANDLE SYSTEM

SC351 NIL

2015.05.19

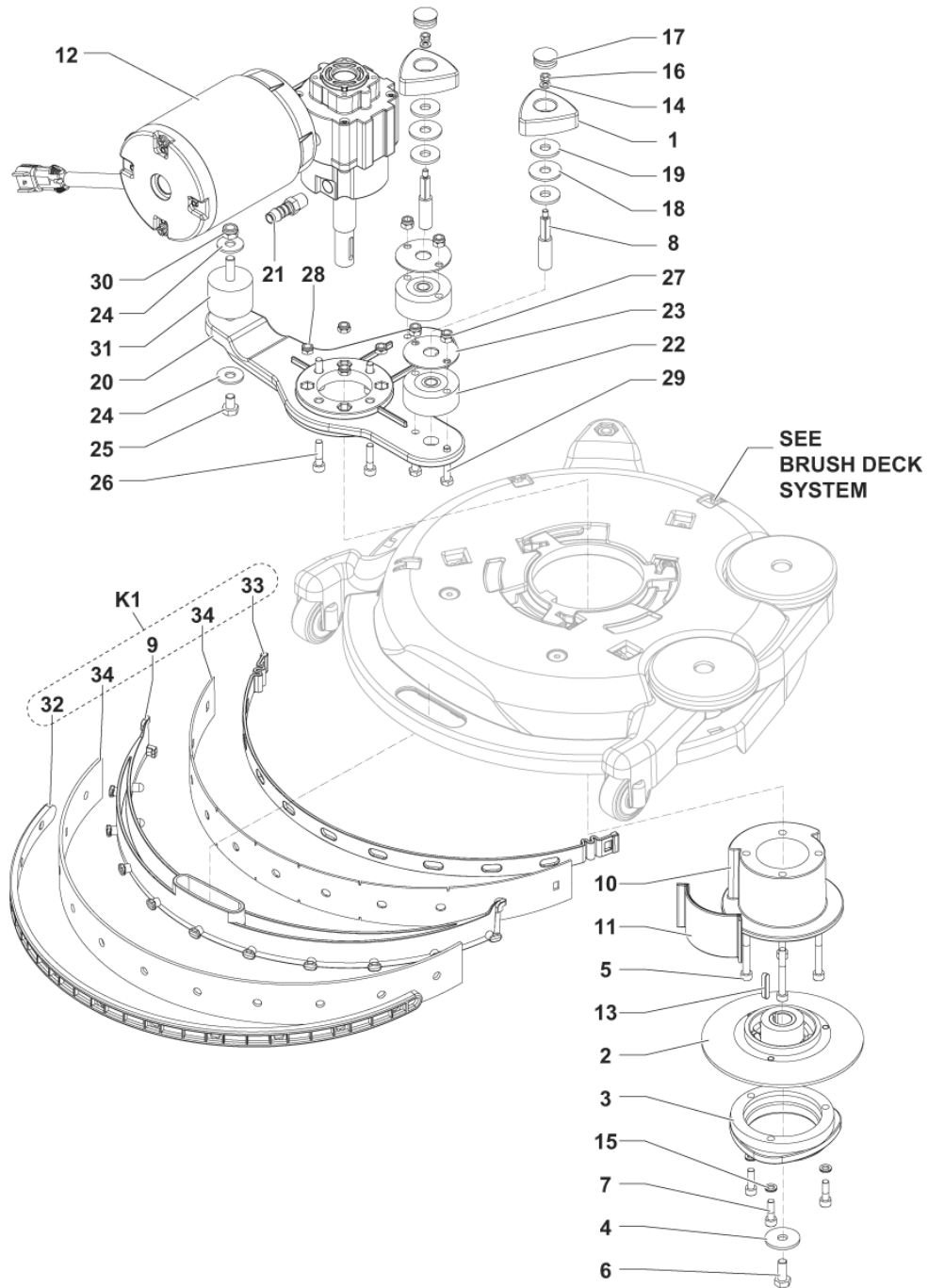
2015.04.28

Pos.	Product no	QTY	Description	Notes
K2	11272A	1	LOWER HOUSING KIT	
K3	11273A	1	HANDLE SUPPORT KIT	
K4	11274A	1	HANDLE SWITCH LEVER KIT	
K5	9098995000	1	HARDWARE HANDLE BAR KIT	



Comments:





MOTOR AND DECK SYSTEM

SC351 NIL

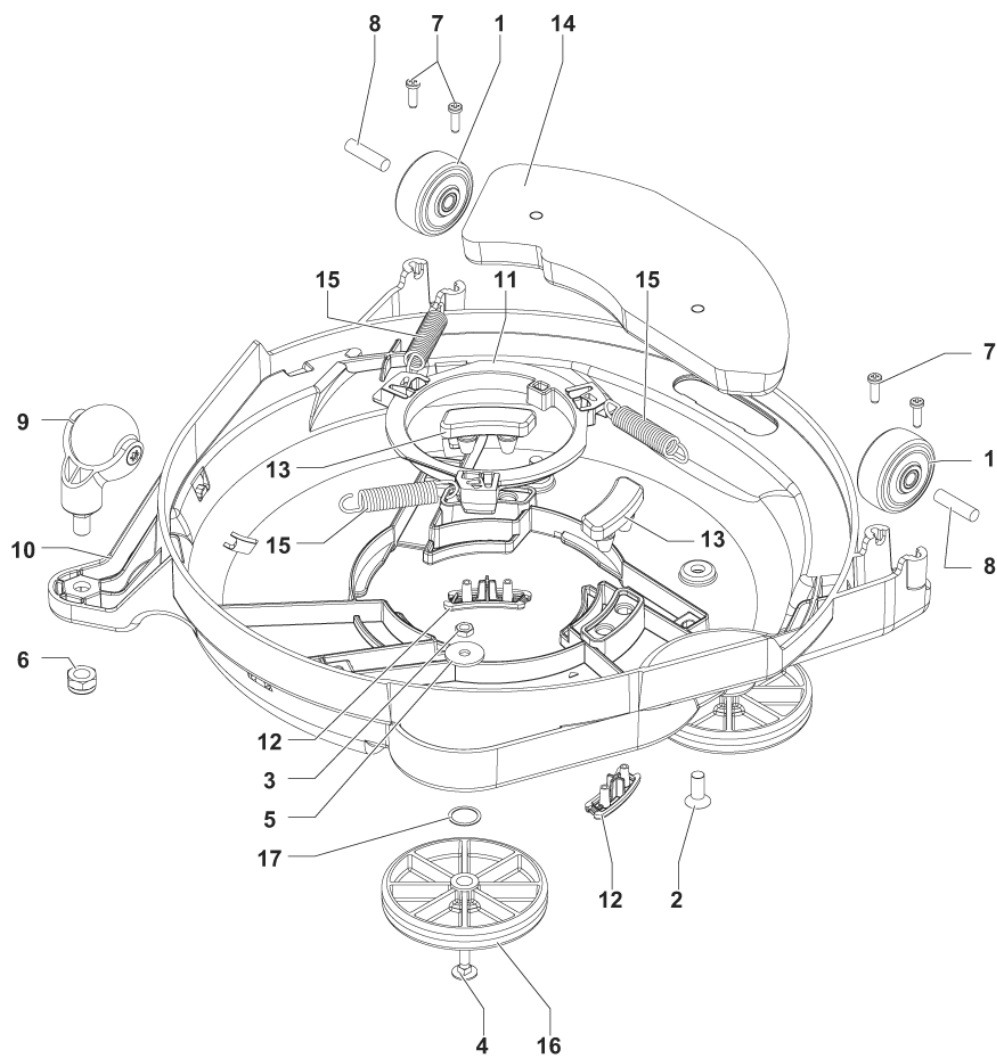
2015.05.19

2015.04.28

Pos.	Product no	QTY	Description	Notes
1	L08812203	2	KNOB	
2	L08812306	1	HUB BRUSH R.GEARMOTOR RIGHT	
3	L08812480	1	HUB.BRUSH	
4		1	K2	
5		4	K2	
6		1	K2	
7		3	K2	
8	9098557000	2	PIN BRUSH PLATE FIXING	
9		1	K1	
10	9100000955	1	FLANGE DECK KIT	
11	9099736000	1	SPACER LIMIT	
12	9100000679	1	REDUCTION GEARMOTOR 260W 12V PKD	
13	1466146000	1	KEY 5X5X25 UNI6604A PKD	
14		2	K2	
15		3	K2	
16		2	K2	
17	L08812426	2	CAP FOR KNOB	
18		2	K2	
19		4	K2	
20	9099718000	1	SUPPORT DECK	
21	L08601624	1	HOLDER RUBBER 1/4 D.10	[1]
21	9100000478	1	HOLDER RUBBER STRAIGHT 1/4 D.6 PKD	[2]
22	L08812213	2	BUFFER	
23	L08812779	2	PLATE.VIBRATION DAMPING	
24		2	K2	
25		1	K2	
26		4	K2	
27		4	K2	
28		4	K2	
29		4	K2	
30		1	K2	
31	9100000868	1	VIBRATION DAMPING M8 60SH 2 PCS SET	
32	9099707000	1	STRAP ELASTIC REAR	
33	9099708000	1	STRAP ELASTIC FRONT	
34	9100000077	1	BLADE SQUEEGEE 370MM 14.5 PU KIT	
34*	9100000302	1	BLADE SQUEEGEE 370MM 14.5 RED GUM KIT	[3]
K1	9100000085	1	SQUEEGEE 438MM/17 KIT	
[K2]	9100000086	1	HARDWARE MOTOR AND DECK KIT	[4]

Part Notes:

- [1] - UNTIL SN 3510145009117
- [2] - STARTING SN 3510145009118
- [3] - OPTIONAL
- [4] - NOT SHOWN



BRUSH DECK SYSTEM

SC351 NIL

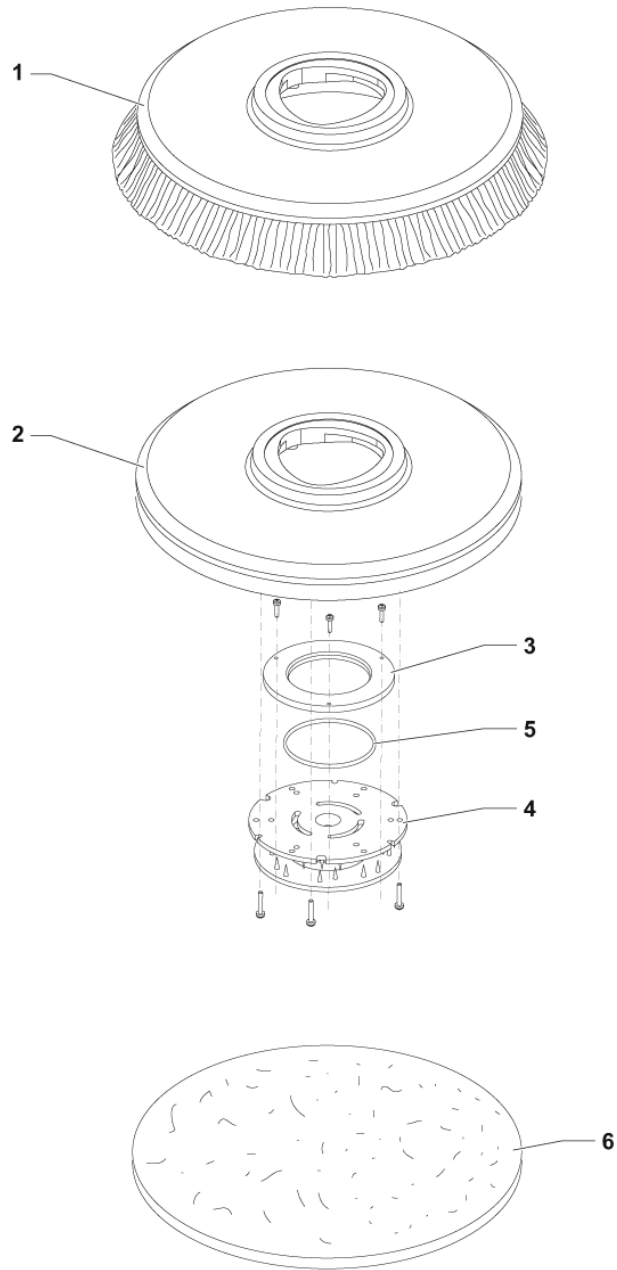
2015.05.19

2015.07.07

Pos.	Product no	QTY	Description	Notes
1	9100000559	2	WHEEL D.51 GREY PKD	
2		2	K2	
3		2	K2	
4		2	K2	
5		2	K2	
6		1	K2	
7		4	K2	
8		2	K2	
9	9099163000	1	WHEEL CASTOR D.42	
10	9099712000	1	DECK BRUSH 350MM/14	
11	9099713000	1	FLANGE CENTRAL	
12		2	K1	
13		2	K1	
14	9100000040	1	COUNTERWEIGHT	
15	9099720000	3	SPRING TRACTION	
16	30048A	2	GUIDE WHEEL ENCORE 2426	
17		2	K1	
K1	9100000087	1	CLUTCH KIT	[1]
K2	9100000088	1	HARDWARE BRUSH DECK KIT	[1]

Part Notes:

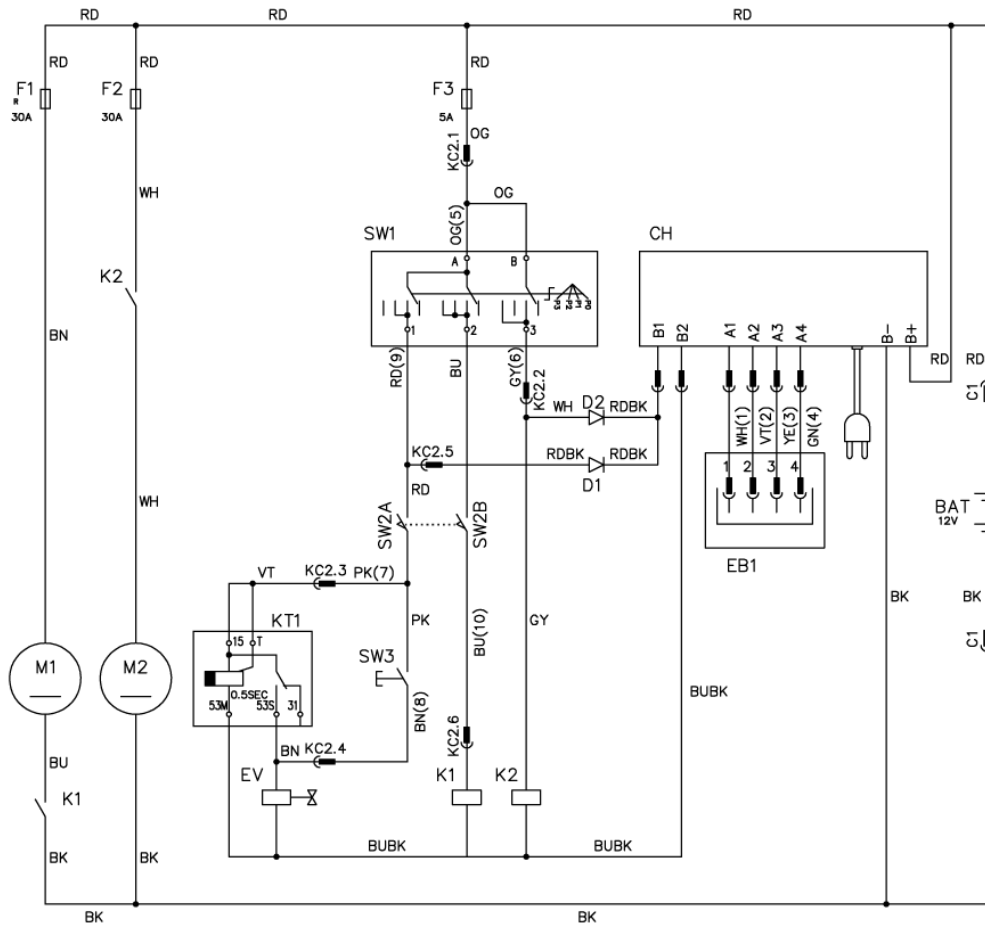
[1] - NOT SHOWN



Pos.	Product no	QTY	Description	Notes
1	9099999000	1	BRUSH DISC 370MM 14.5 PROLENE	
1*	9100000001	1	BRUSH DISC 370MM 14.5 PROLITE	[1]
1*	9100000000	1	BRUSH DISC 370MM 14.5 UNION MIX	[1]
1*	9100000002	1	BRUSH DISC 370MM 14.5 MID GRIT	[1]
1*	9100000003	1	BRUSH DISC 370MM 14.5 MAGNA GRIT 46	[1]
2*	9099672000	1	PAD HOLDER FLAT 14 355MM	[1]
3	L08603966	1	RING NYLON	
4	56505195	1	PAD RETAINER	
5	L08603965	1	O-RING 2.62X82.22 -3325-NBR 40SH	
6*	10001918	1	PAD 14 355MM ECO BROWN 5PCS	[1]
6*	10001920	1	PAD 14 355MM ECO RED 5PCS	[1]
6*	10001921	1	PAD 14 355MM ECO WHITE 5PCS	[1]
6*	10001919	1	PAD 14 355MM ECO GREEN 5PCS	[1]

Part Notes:

[1] - OPTIONAL



Pos.	Product no	QTY	Description	Notes
BAT	9098977000		BATTERY 12V 55AH	
CH	9100000713		CHARGER BATT. O/B 12V 15A 230V EU KIT	[1]
CH	9099794000		CHARGER BATT. O/B 12V 12A 100-230V US	
EB1	146 3073 000		BOARD LED	
EV	9098112000		SOLENOID VALVE 12V	
F1	9099802000		CIRCUIT BREAKER 35A KIT	
F2	145 8513 000		FUSE BLADE 30A UL	
F3	145 9852 000		FUSE BLADE 5A UL	
K1	146 3113 000		RELAIS 12V 70 A TYCO	
K2	9098441000		RELAY 12V	
KT1	9098375000		TIMER CYCLICAL	
M1	9100000679		REDUCTION GEARMOTOR 260W 12V PKD	
M2	9100001238		MOTOR VACUUM 12V 200W SEALED PKD	
SW1	9099332000		SWITCH ROTATIVE 4 POSITIONS	
SW2	40263A		SWITCH DPST	
SW3	L08603153		SWITCH PUMP	

Part Notes:

[1] - TEMP. BLOCKED RAWMATERIAL QUALITY ISSUE

RECOMMENDED SPARE PARTS

SC351 NIL

2015.05.19

2015.07.31

Pos.	Product no	QTY	Description	Notes
NW	910000077	1	BLADE SQUEEGEE 370MM 14.5 PU KIT	
NW	909999900	1	BRUSH DISC 370MM 14.5 PROLENE	
OM	9099707000	1	STRAP ELASTIC REAR	
OM	9099708000	1	STRAP ELASTIC FRONT	
OM	9099127000	1	GASKET RUBBER L.705MM PKD	
OM	9098319000	2	GASKET	
OM	9100001238	1	MOTOR VACUUM 12V 200W SEALED PKD	
OM	9098327000	1	GASKET VACUUM MOTOR	
OM	9100000679	1	REDUCTION GEARMOTOR 260W 12V PKD	
OM	L08812480	1	HUB.BRUSH	
OM	9099706000	1	HOSE SUCTION D.25	
OM	9100000559	2	WHEEL D.51 GREY PKD	
OM	9099163000	1	WHEEL CASTOR D.42	
OM	9100000087	1	CLUTCH KIT	
OM	9100000085	1	SQUEEGEE 438MM/17 KIT	
EOM	9099712000	1	DECK BRUSH 350MM/14	
EOM	30048A	2	GUIDE WHEEL ENCORE 2426	
EOM	9099732000	2	WHEEL D.214 GREY/BLACK	
EOM	9100000713	1	CHARGER BATT. O/B 12V 15A 230V EU KIT	[1]
EOM	9099794000	1	CHARGER BATT. O/B 12V 12A 100-230V US	
EOM	9100000514	1	VALVE WATER COMPLETE PKD	
EOM	9098992000	1	HOSE KIT	
EOM	9098760000	2	CONNECTOR 50A GREY	
EOM	9099802000	1	CIRCUIT BREAKER 35A KIT	
EOM	9098112000	1	SOLENOID VALVE 12V	
EOM	146 3113 000	1	RELAIS 12V 70 A TYCO	
EOM	9098441000	1	RELAY 12V	
EOM	9098375000	1	TIMER CYCLICAL	
EOM	145 8513 000	1	FUSE BLADE 30A UL	
EOM	145 9852 000	1	FUSE BLADE 5A UL	
EOM	9099332000	1	SWITCH ROTATIVE 4 POSITIONS	
EOM	40263A	1	SWITCH DPST	
EOM	L08603153	1	SWITCH PUMP	

Part Notes:

[1] - TEMP. BLOCKED RAWMATERIAL QUALITY ISSUE

OPTIONALS AND ACCESSORIES

SC351 NIL

2015.05.19

2014.01.08

Pos.	Product no	QTY	Description	Notes
	1464853000	1	BATTERY DISCOVER 12V 84Ah	
	9099011000	1	HOSE FILLING KIT	
	9100000001	1	BRUSH DISC 370MM 14.5 PROLITE	
	9100000000	1	BRUSH DISC 370MM 14.5 UNION MIX	
	9100000002	1	BRUSH DISC 370MM 14.5 MID GRIT	
	9100000003	1	BRUSH DISC 370MM 14.5 MAGNA GRIT 46	
	9099672000	1	PAD HOLDER FLAT 14 355MM	
	10001918	1	PAD 14 355MM ECO BROWN 5PCS	
	10001920	1	PAD 14 355MM ECO RED 5PCS	
	10001921	1	PAD 14 355MM ECO WHITE 5PCS	
	10001919	1	PAD 14 355MM ECO GREEN 5PCS	
	9100000302	1	BLADE SQUEEGEE 370MM 14.5 RED GUM KIT	



We supply a full range of cleaning equipment for rental or purchase.

For more information, or a cleaning solution to suit your business, please get in touch –

For a more comprehensive product range, please visit our website.



Address

Berrington House,
Berrington Road,
Leamington Spa
CV31 1NB

Contact

t: 0845 33 77 695
f: 0845 33 78 695
e: info@c-ind.co.uk

www.crescentindustrial.co.uk