

## **Spare parts list**

(1.349-300.0) VC 5 Cordless \*EU

## Table of contents

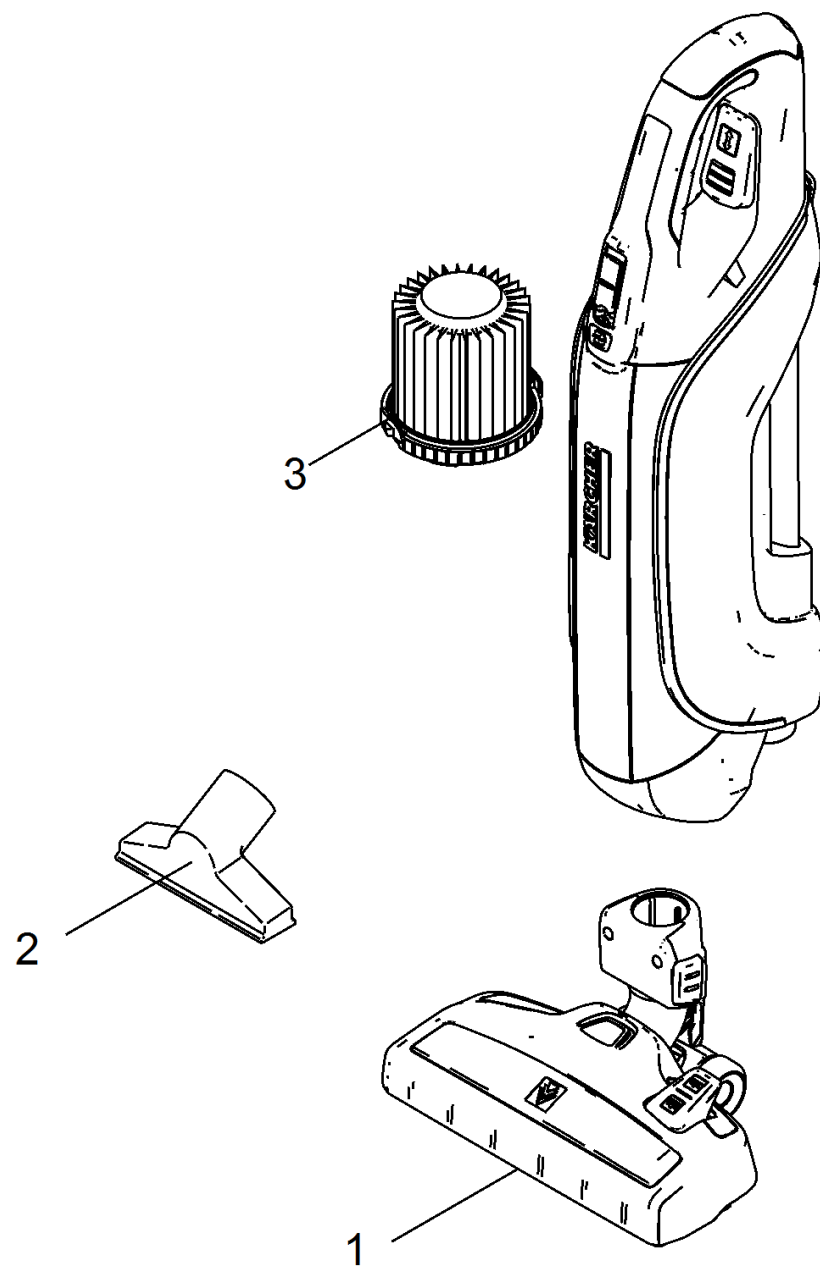
---

VC 5 Cordless *EU (1.349-300.0)	3
Short spare parts list	4
Spare parts list VC 5 Cordless *EU	6
1 Basic unit yellow 18V	8
13 Motor complete 18 V	10
9005 Set accumulator package for replacement (4.071-285.0)	12
21 Filter box completely yellow (4.195-099.3)	14
21 Filter box complete yellow	16

VC 5 Cordless \*EU (1.349-300.0)

---

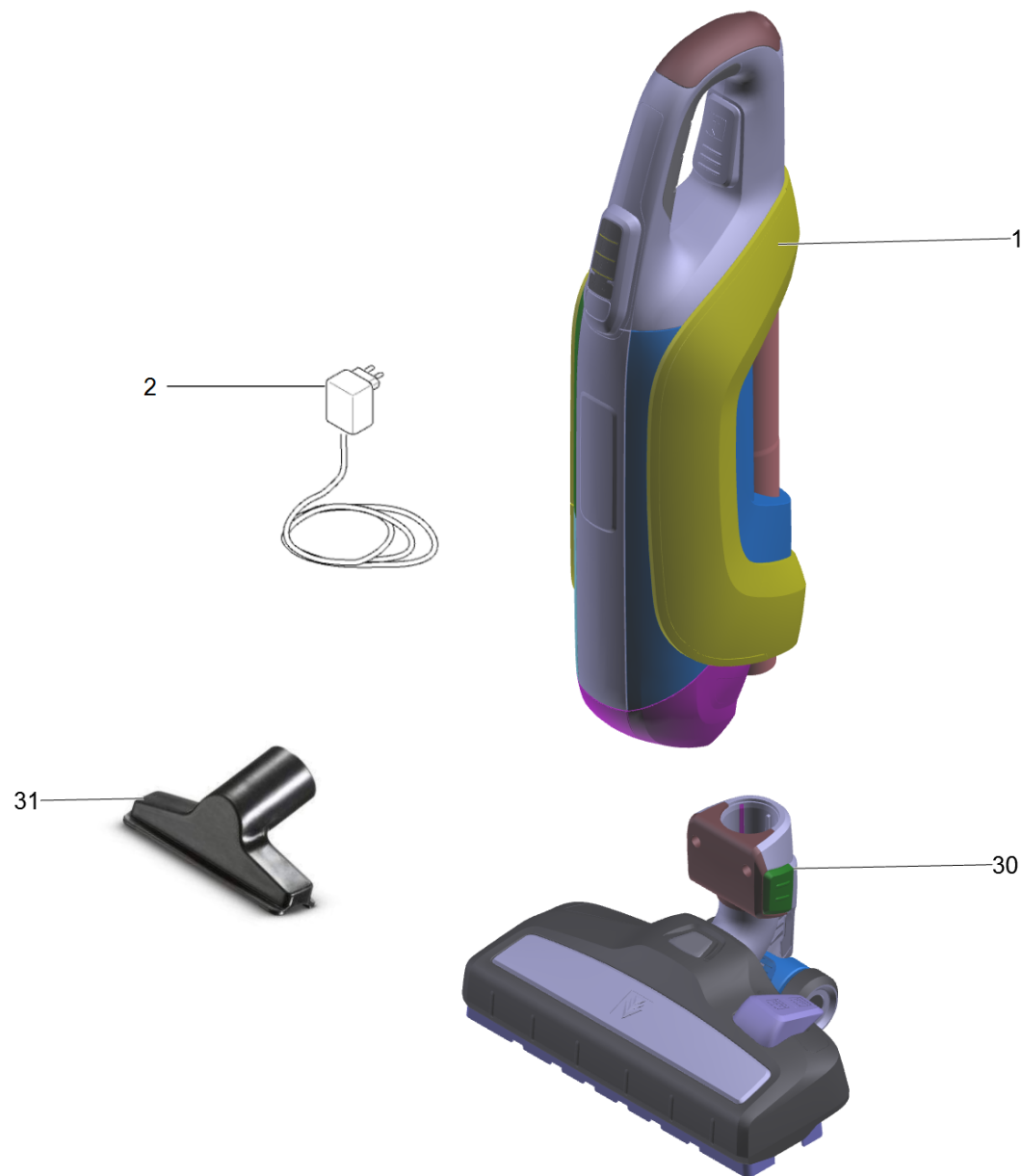
<b>POS</b>	<b>Description</b>	<b>Quantity</b>	<b>Unit</b>
0	Short spare parts list	1.000	ST
0	Spare parts list VC 5 Cordless *EU	1.000	ST



## Short spare parts list

---

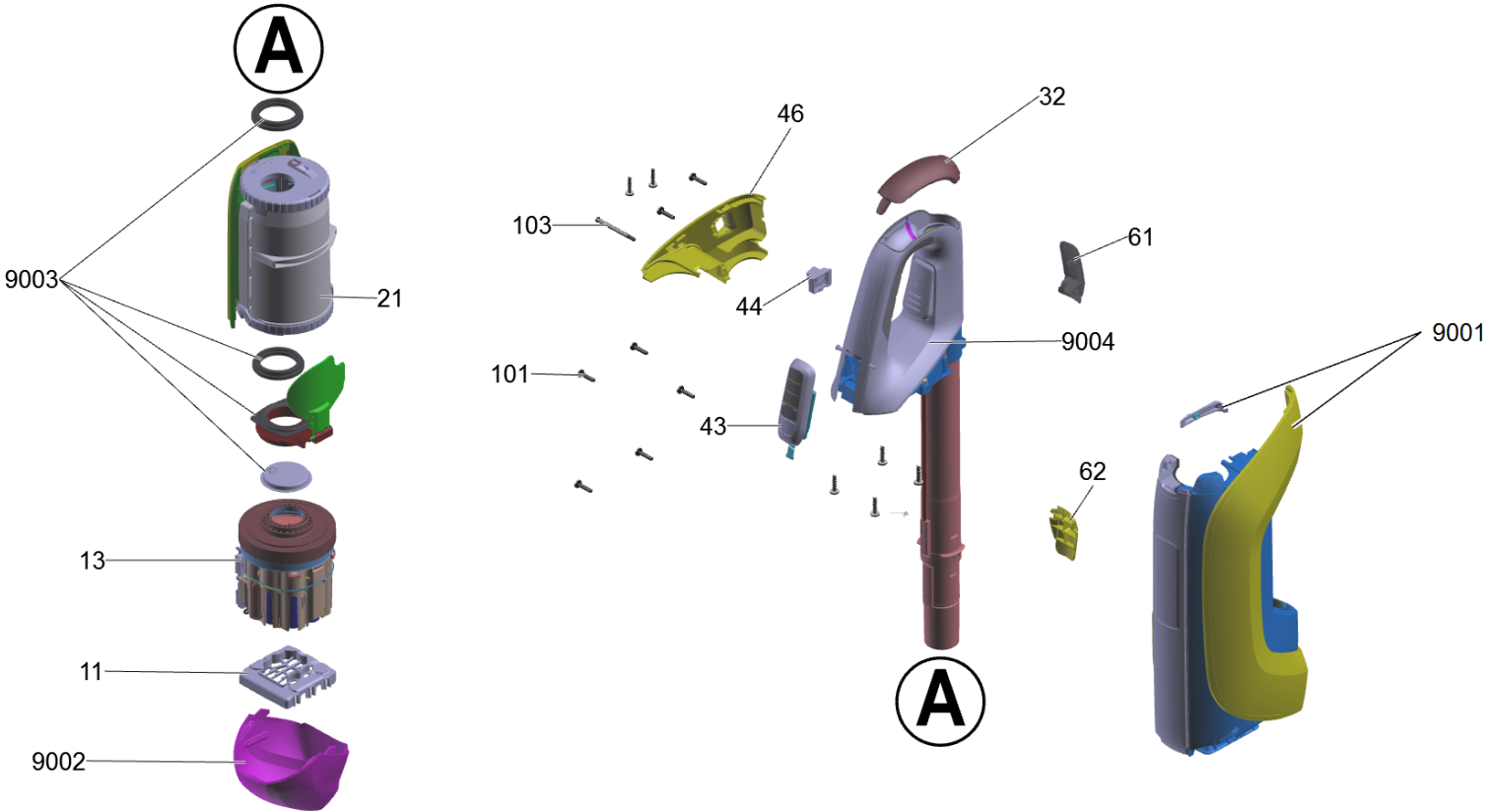
<b>POS</b>	<b>Article no.</b>	<b>Description</b>	<b>Quantity</b>	<b>Unit</b>
1		Floor tool with orifice yellow VC 5	1.000	ST
2	6.906-622.0	Upholstery nozzle	1.000	ST
3	2.863-239.0	Long-life filter VC	1.000	ST



## Spare parts list VC 5 Cordless \*EU

---

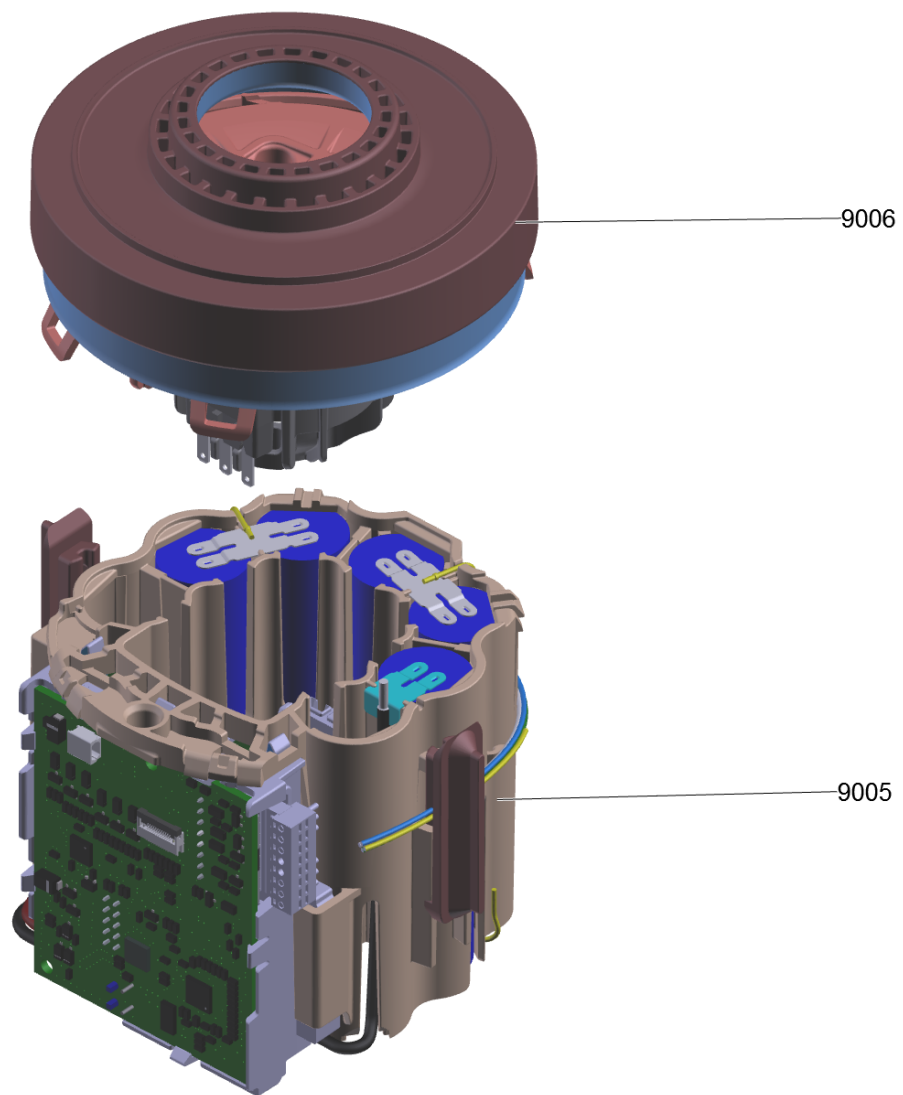
<b>POS</b>	<b>Article no.</b>	<b>Description</b>	<b>Quantity</b>	<b>Unit</b>
1		Basic unit yellow 18V	1.000	ST
2	6.195-070.0	Power supply PS05 Phihong *EU	1.000	ST
30	4.195-272.3	Floor tool with orifice yellow	1.000	ST
31	6.906-622.0	Upholstery nozzle	1.000	ST





## 1 Basic unit yellow 18V

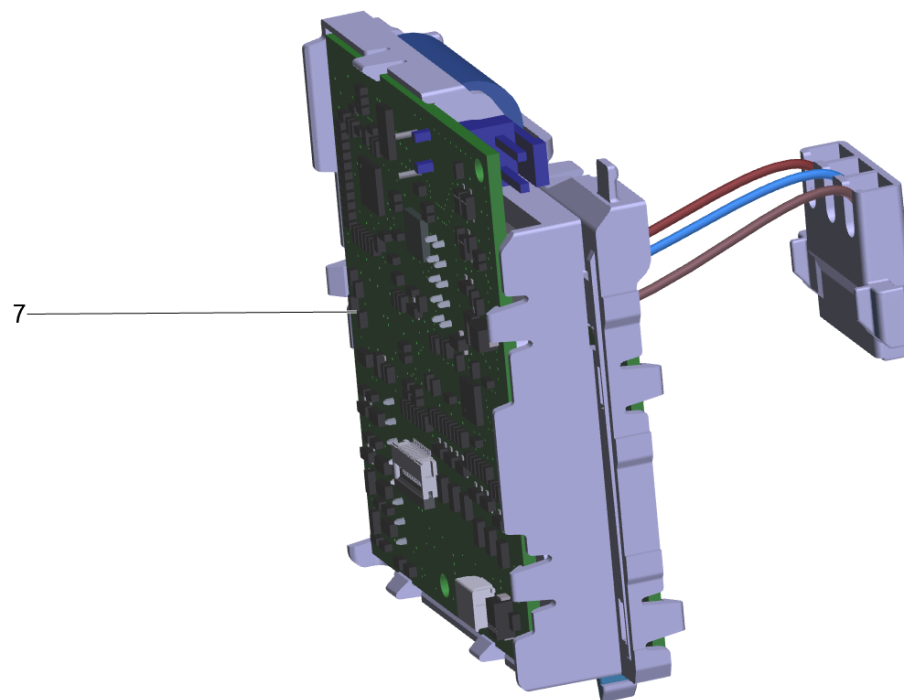
POS	Article no.	Description	Quantity	Unit
11	5.195-526.0	Cover accumulator package	1.000	ST
13		Motor complete 18 V	1.000	ST
21	4.195-099.3	Filter box completely yellow	1.000	ST
32	5.195-460.3	Cirt clack hand grip black	1.000	ST
43	4.195-279.3	Operating unit complete black	1.000	ST
44	4.195-280.3	Charging jack complete	1.000	ST
46	5.195-546.3	Covering cap charging jack yellow	1.000	ST
61	5.195-539.0	Covering cap cable hook above	1.000	ST
62	5.195-540.0	Covering cap cable hook bottom	1.000	ST
101	9.086-227.0	Screw 3x18 Zn Ni	12.000	ST
103	6.195-044.0	Screw with shaft 4x50	1.000	ST
9001	4.071-283.0	Housing set for replacement	1.000	ST
9002	4.195-257.3	Cover completely black	1.000	ST
9003	4.070-191.0	Seal set	1.000	ST
9004	4.195-273.0	Telescopic tube hand grip complete	1.000	ST



## 13 Motor complete 18 V

---

<b>POS</b>	<b>Article no.</b>	<b>Description</b>	<b>Quantity</b>	<b>Unit</b>
9005	4.071-285.0	Set accumulator package for replacement	1.000	ST
9006	4.071-287.0	Set motor for replacement	1.000	ST

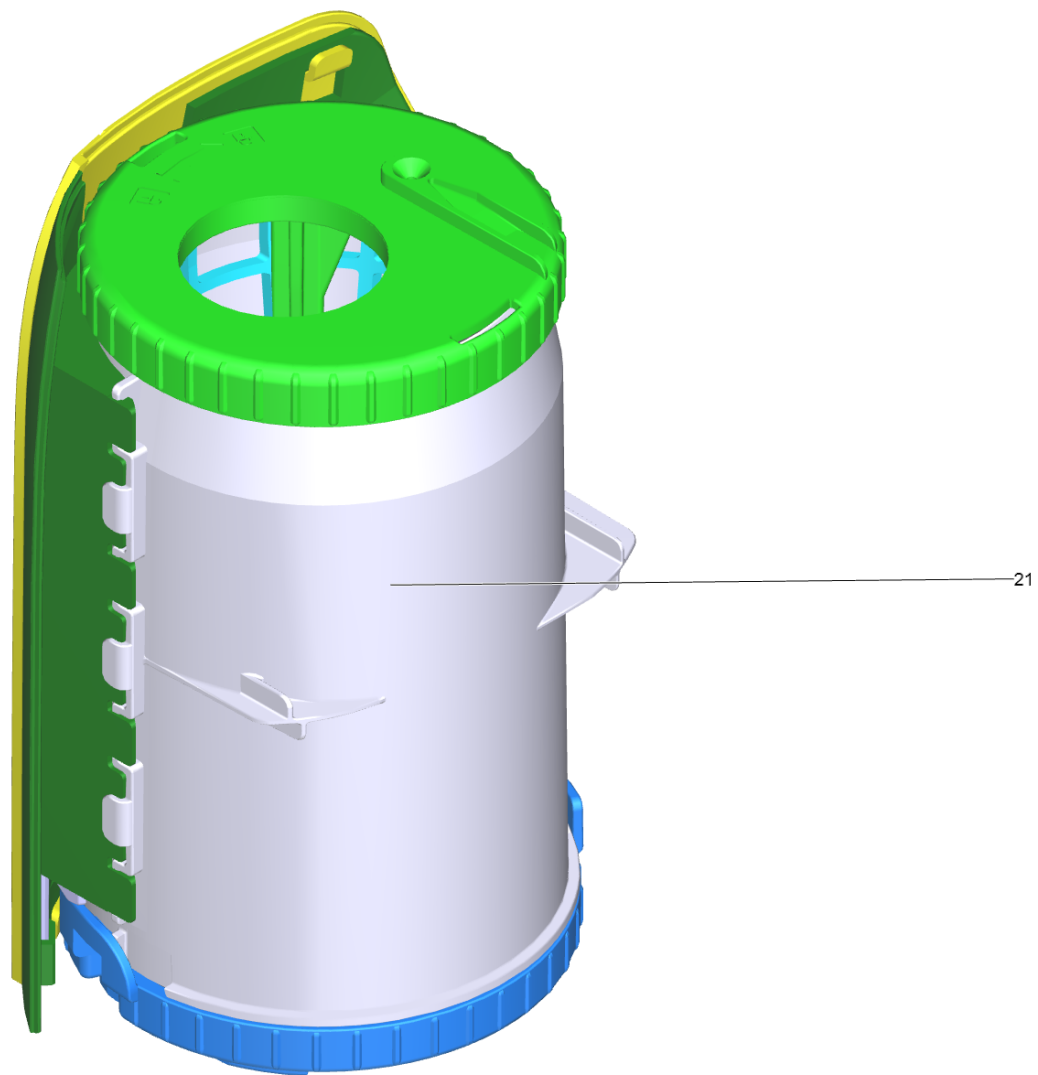


9005 Set accumulator package for replacement (4.071-285.0)

---

<b>POS</b>	<b>Article no.</b>	<b>Description</b>	<b>Quantity</b>	<b>Unit</b>
7	4.195-266.3	Electronics complete	1.000	ST

---

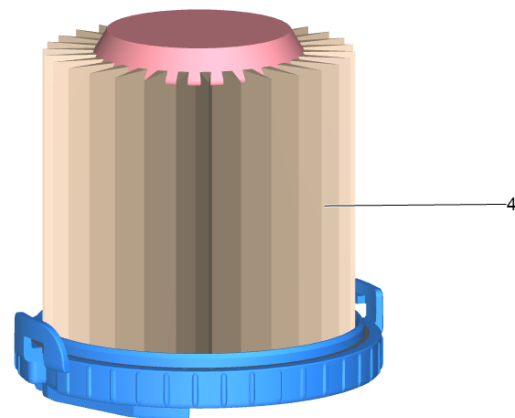
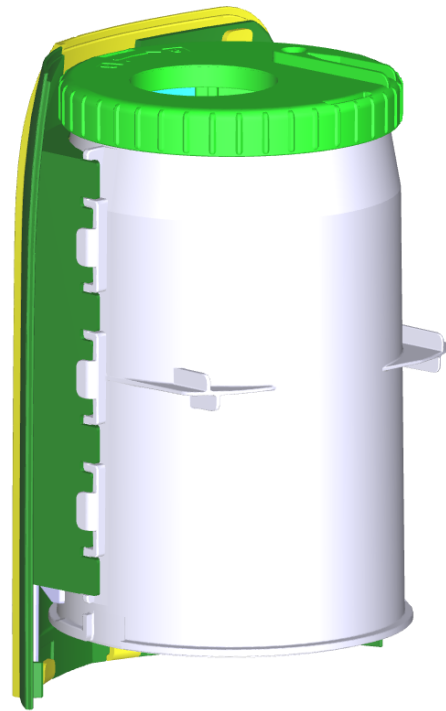


21 Filter box completely yellow (4.195-099.3)

---

POS	Description	Quantity	Unit
21	Filter box complete yellow	1.000	ST

---





21 Filter box complete yellow

---

POS	Article no.	Description	Quantity	Unit
4	2.863-239.0	Long-life filter VC	1.000	ST